

NE63A8711QN

SAMSUNG

BESPOKE 6.3 cu. ft. Slide-In Electric Range



Signature Features

BESPOKE Design

BESPOKE Ranges are available in two complementary colours to the BESPOKE 4-Door Flex™ Refrigerator. Create your kitchen space in your style in either navy or white glass.

Smart Dial

Simplified control panel remembers your cooking habits while offering intuitive messaging on an LCD with one knob and minimum buttons.

Air Fry

The ideal way to cook healthier fried food as it eliminates excess fat, but everything is still crispy and brown outside and juicy inside.

True Convection

A heated fan distributes heat all around the oven and keeps the temperature constant so dishes are cooked quickly and thoroughly.

Wi-Fi Connectivity

Monitor and control the oven using the SmartThings App¹. And control the oven with your voice using a voice assistant², such as Samsung Bixby³, Amazon Alexa or Google Assistant.

Available Colours



Navy Steel (shown)



Clean White Glass



Air Fry



True Convection

Features

- Smart Dial
- Air Fry with included Air Fry Rack
- True Convection
- Bread Proof 95°F (35°C)
- Wi-Fi Connectivity
- Voice Control
- Fingerprint Resistant Finish
- Slide-In Design

- Flexible Cooktop – 5 Electric Elements
- Large Oven Capacity: 6.3 cu. ft.
- Storage Drawer
- Hidden Bake Element

Convenience

- Self & Steam Clean
- Illuminated Knobs
- Auto Oven Light
- Proofing
- Kitchen Timer
- Delay Start
- Auto Shut-Off Option
- Child Safety Lock
- Easy Preset Cook Options
- Sabbath Mode
- Temperature Probe

¹Available on Android and iOS devices. A Wi-Fi connection and a Samsung account are required.

²A Wi-Fi connection is required.

³Bixby is Samsung's brand of artificial intelligence (AI) / Internet of Things (IoT) voice assistant. A Samsung account is required.

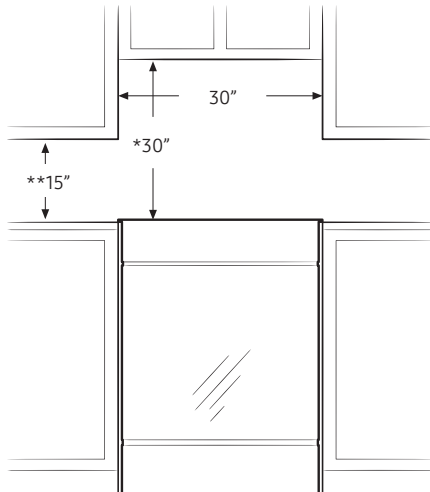
NE63A8711QN

SAMSUNG

BESPOKE 6.3 cu. ft. Slide-In Electric Range

Installation Specifications

IMPORTANT: To eliminate the risk of burns or fire caused by reaching over heated surface units, avoid having cabinet storage space located above the surface units. If you have cabinet storage space over the heating elements, you can reduce the risk by installing a range hood that projects horizontally a minimum of 5 inches beyond the bottom of the cabinets.



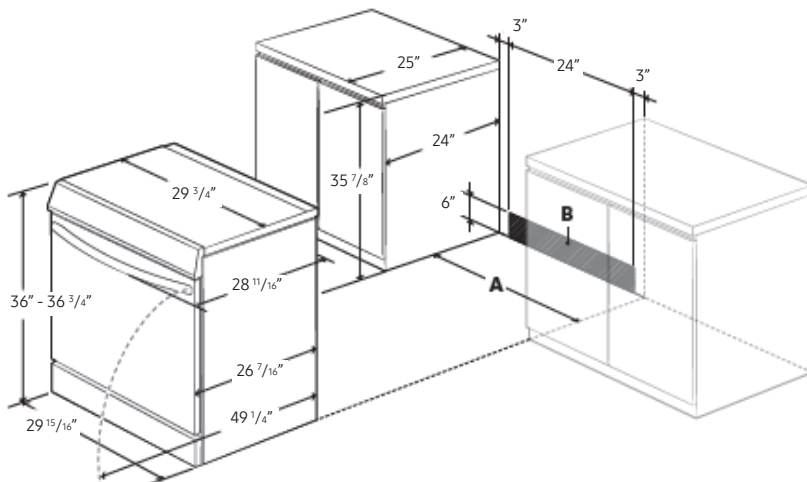
* A minimum of 30" is required between the top of the cooking surface and the bottom of an unprotected wood or metal cabinet; a minimum of 24" is required if the bottom of the wood or metal cabinet is protected by not less than 1/4" of flame retardant millboard covered with not less than no.28 MSG of sheet steel, 0.015" of stainless steel, 0.024" of aluminum, or 0.020" of copper.

** A minimum of 15" is required between the countertop and the adjacent cabinet bottom.

Dimensions

CAUTION: This range has been designed to comply with the maximum allowable wood cabinet temperatures of 194 °F. Make sure the wall covering, countertops, and cabinets around the range can withstand the heat (up to 194 °F) generated by the range. If not, discolouration, delamination, or melting may occur.

SLIDE-IN CUTOUT



A: Required Cabinet Opening is 30"
B: Acceptable Electrical Outlet Space

Power Source

240V/60Hz/40A

Electric Ceramic Cooktop

Right Front: 6"/9"/12", 3000W

Left Front: 6"/9", 3600W

Right Rear: 6", 1200W

Left Rear: 6", 1200W

Warm Center: 7", 100W

Electrical Information

Range Rating Watts		Specified Rating of Power-Supply-Cord Kit and Circuit Protection Amps	Diameter (inches) of Range Connection Opening	
120/240 Volts 3-Wire	120/208 Volts 3-Wire		Power Cord	Conduit
8750-16500	7801-12500	40 or 50 A	1 3/8"	1 1/8"

This appliance must be supplied with the proper voltage at the proper frequency and must be connected to a dedicated, properly grounded branch circuit protected by a 40 amp or larger circuit breaker.

Plug Type	Power Cord Length
4 Prong	39.4"

Oven

Hidden Bake Element: 3000W

Bake: 175°F - 550°F

Convection Bake: 175°F - 550°F

Convection Roast: 175°F - 550°F

Broil: (Low - High)

Convection Element/Heater: 1250W

Proofing

Sabbath Mode

Storage Drawer

Capacity: 1.0 cu. ft.

Warranty

One (1) Year Parts and Labour

Product Dimensions & Weight (WxHxD)

Outside Dimensions:

29 15/16" x 36"-36 3/4" x 28 11/16"

Weight: 174.8 lbs (79.3 Kg)

Shipping Dimensions & Weight (WxHxD)

Dimensions: 33 1/16" x 41 3/4" x 30 5/16"

Weight: 201.3 lbs (91.3 Kg)

Colour

Navy Steel

Clean White Glass

Model

NE63A8711QN

NE63BB87112AC

UPC Code

887276629025

887276629032