

# T36FT820NS

## 36-INCH STAINLESS STEEL FREESTANDING FRENCH DOOR BOTTOM FREEZER

PROFESSIONAL SERIES HANDLES



Also Available In:  
T36FT810NS – Masterpiece® Series Handles

### FEATURES & BENEFITS

- Best in class lighting: see everything with a fully illuminated back panel and adjustable theater lighting
- Dual evaporators / dual compressors
- Internal ice and water provides easy access with a clean exterior
- ThermaFresh system, humidity and temperature controlled drawers
- Stainless steel ThermaFresh mats included with drawers for easy cleaning

### TEMPERATURE RANGES

Refrigerator	36°F (2°C) to 46°F (8°C)
SuperCool	36°F (2°C) for Approximately 6 Hours
Energy Saving (Economy) Mode	Refrigerator: 45°F (7°C) Freezer: 3°F (-16°C)
Freezer	-11°F (-24°C) to 7°F (-14°C)
SuperFreeze®	-22°F (-30°C) for Approximately 52 Hours

### GENERAL PROPERTIES

Home Connect® (Wi-Fi Enabled)	Yes
Full 72" Height and True Counter-Depth for Built-In Appearance	Yes
Carbon Air Filter	Yes
Ethylene Filter	Yes
Lighting	LED Recessed Side Light Bars & Fully Illuminated Back Panel
Dual Compressors / Evaporators	Yes
Refrigerator Shelves	5
Adjustable Shelves – Refrigerator	4
Shelf Material	Glass w/Metal Profile
ThermaFresh Temperature & Humidity Managed Drawers	2
ThermaFresh Mats	2
Standard Door Bins – Refrigerator	4
Gallon Door Bins – Refrigerator	2
Defrost Process – Freezer	Automatic
Freezer Drawers	3
Internal Water Dispenser	Yes
Water Filter	Yes
Ice Maker with Diamond Ice System	Yes
Door Open Alarms	Yes
SuperCool	Yes
SuperFreeze®	Yes
Special Modes	Sabbath, Economy, Vacation

### CAPACITY

Total Capacity (cu. ft.)	20.8 cu. ft.
Refrigerator / Freezer Capacity (cu. ft.)	14.8 / 6.0 cu. ft.

### TECHNICAL DETAILS

Current (A) / Volts (V) / Frequency (Hz)	15 A / 115 V / 60 Hz
Power Cord Length (in.)	67
Plug Type	120V-3 Prong

### DIMENSIONS & WEIGHT

Appliance Dimensions (H x W x D) (in.)	72"* x 35 5/8" x 31 7/16"
Appliance Dimensions without Hinges and Doors (H x W x D) (in.)	71 1/2" x 35 5/8" x 24"*
Appliance Dimensions with Hinges and Doors, No Handles (H x W x D) (in.)	72"* x 35 5/8" x 28 3/4"
Required Cutout Size (H x W x D) (in.)	72" x 36" x 25"
Net / Gross Weight (lbs.)	332 / 368 lbs.

### EFFICIENCY

ENERGY STAR® Certified	Yes
Annual Energy Consumption	570 kWh / yr

\*When leveling legs are fully extended, add 5/8" to overall height, total 72 5/8".  
\*\*The cutout depth of 25" includes the required 1" airflow. The electrical covers on the back of unit do not require additional depth.

# T36FT820NS

## 36-INCH STAINLESS STEEL FREESTANDING FRENCH DOOR BOTTOM FREEZER

PROFESSIONAL SERIES HANDLES



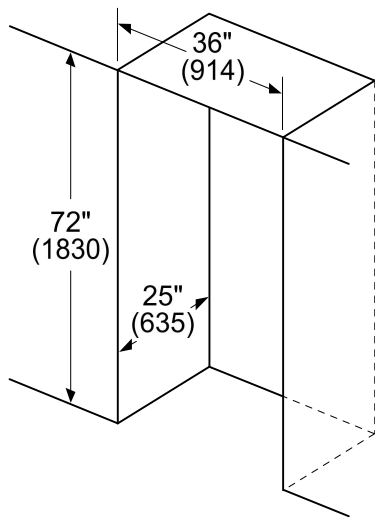
### WARRANTY

Limited, Entire Appliance, Parts and Labor on Any Part of the Refrigerator that Fails Because of a Manufacturing Defect	2 Year
Limited Warranty for Sealed Refrigeration System*; Parts and Labor	3rd to 6th Year
Limited Warranty for Sealed Refrigeration System*; Parts Only	7th to 12th Year
Limited Warranty for Stainless Steel Rust-Through	Lifetime

\*Sealed refrigeration system includes compressor, evaporator, condenser, dryer / strainer and connection tubing

### CUTOUT DIMENSIONS

measurements in inches (mm)

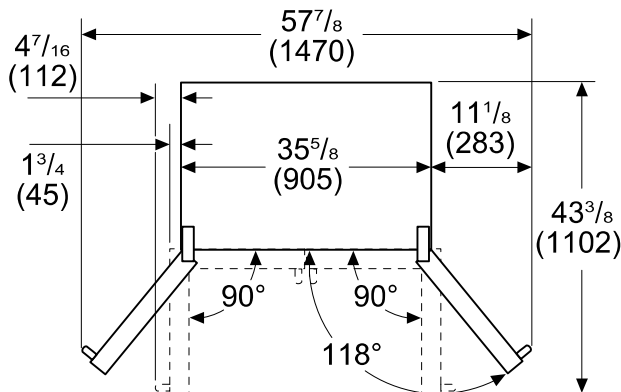


Leave 1/2" (12.7) gap at the top and 1" (25.4) behind the refrigerator for proper ventilation.

It is recommended that you do not install the refrigerator near a heat source such as a stove or a range.

### TOP VIEW CLEARANCE

Measurements in inches (mm)



Drawers can be pulled out with door open to 90°  
 Drawers can be taken out with door completely opened

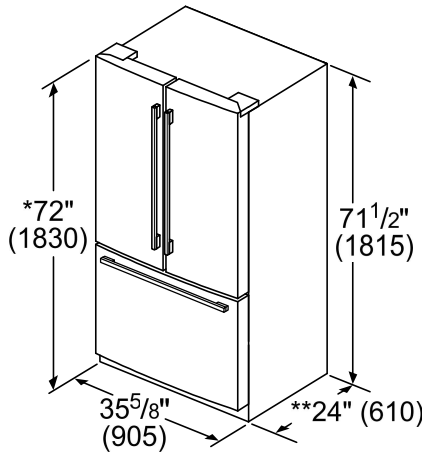
# T36FT820NS

## 36-INCH STAINLESS STEEL FREESTANDING FRENCH DOOR BOTTOM FREEZER

PROFESSIONAL SERIES HANDLES

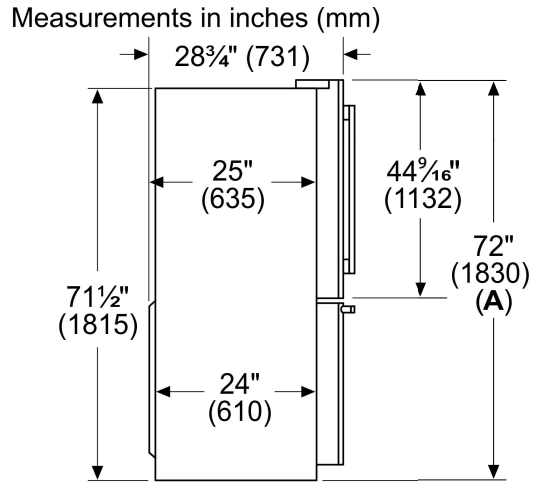


### PRODUCT DIMENSIONS



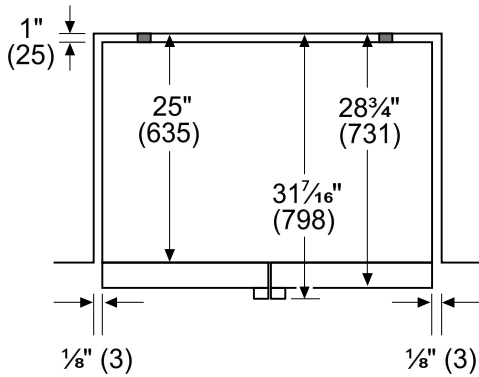
\* Add  $\frac{5}{8}$ " (17) with front leveling feet fully extended  
 \*\* Add 1" (25) for fixed spacers on back

measurements in inches (mm)



A: Add  $\frac{5}{8}$ " (17) with front leveling feet fully extended

measurements in inches (mm)



### ACCESSORIES (OPTIONAL)

**REPLFLTR55**

Replacement Water Filter

**17005228**

Ethylene Filter Starter Kit

**17005225**

Ethylene Filter Refill

**10012733**

90 Degree Door Stopper

These warranties give you specific legal rights and you may have other rights that vary from state to state. Limited warranty from date of delivery. For complete warranty details, refer to your Use & Care manual, or ask your dealer.

Specifications are for planning purposes only. Refer to installation instructions and consult your countertop supplier prior to making counter opening. Consult with a heating and ventilation engineer for your specific ventilation requirements. For the most detailed information, refer to installation instructions accompanying product or write to Thermador indicating the model number. Specifications are correct at time of printing. Thermador reserves the right to change product specifications or design without notice. Some models are certified for use in Canada. Thermador is not responsible for products that are transported from the U.S. for use in Canada.