

# SOPS60TM-1

24" Built-In Multifunction Oven with Steam Clean Assist, 60cm High



## Signature Features

### Multi-function Flexibility

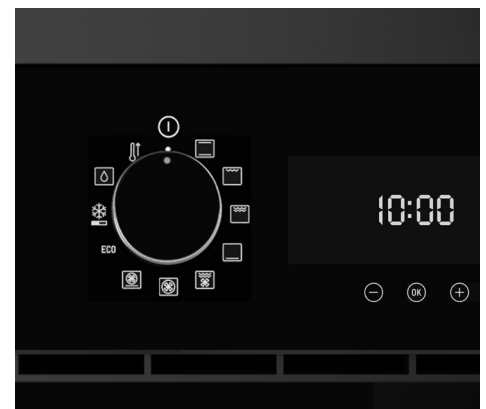
Redefining flexibility, with convection, a grill, and a selection of helpful cooking functions to make home-cooking simpler.

### Save Time with Convection

A third element with a fan saves you time by cooking fast and more evenly. Perfect for baking and roasting.

### Touch Control with Control Dial

Intuitively control your oven's functions and enjoy a more instinctive way to cook.



## General Properties

- Black Glass with Stainless Steel Trim
- 70L - 2.5 cu. ft. Capacity
- Electric Multifunction

## Features

- 9 Cooking Functions Including True Fan Convection
- Digital Display with Control Dial
- Fully Automatic Digital Clock and Timer
- Cooking Duration and End Time Cooking Control
- Steam Clean Assist
- Double Glazed Removable Door
- Bright Interior Lighting
- Black Enamel Interior
- Child Safety Lock

## Oven Functions

- True Fan Convection
- Grill
- MAXI Grill
- MAXI Grill with Fan
- Lower Element, Pizza Mode
- Fast Pre-heating
- Defrost / Warming Mode
- ECO Mode
- Conventional Cooking
- Steam Clean Assist

## Oven Performance

### Bake / Broil Element: Grill

- 1300 W / 2950 W

### Convection Element

- 1700 W

## Technical Specifications

### Front Dimensions (W/H/D)

- 23<sup>7/16</sup>" / 23<sup>7/16</sup>" / 21<sup>1/8</sup>"

- 595mm / 595mm / 537mm

### Cabinet Dimensions (W/H/D)

- min. 22<sup>1/16</sup>" / 23<sup>1/4</sup>" / min 22<sup>13/16</sup>"

- 560mm / 590mm / 580mm

### Electrical Requirements

- 208-240 V / 60 Hz / 20 Amp
- Supplied with a 5' long electrical cable and must be hardwired.

## Accessories

- Grill / Roasting Pan
- Chrome Oven Racks
- Bottom Vent Grill (7427640) available.

# SOPS60TM-1

## Specifications



### Front Dimensions (W/H/D)

- 23<sup>7/16</sup>" / 23<sup>7/16</sup>" / 21<sup>1/8</sup>"
- 595mm / 595mm / 537mm

### Cabinet Dimensions (W/H/D)

- min. 22<sup>1/16</sup>" / 23<sup>1/4</sup>" / min 22<sup>13/16</sup>"
- 560mm / 590mm / 580mm

### Electrical Requirements

- 208 / 240 V, 60 Hz, 20 Amp
- Supplied with a 5' long electrical cable and must be hardwired.

#### \*IMPORTANT\*

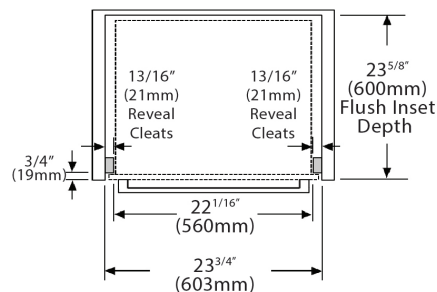
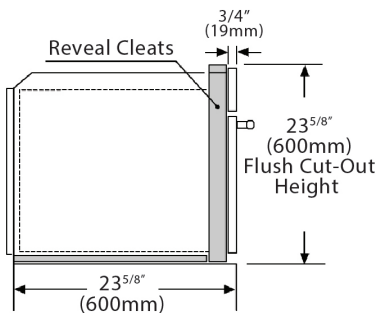
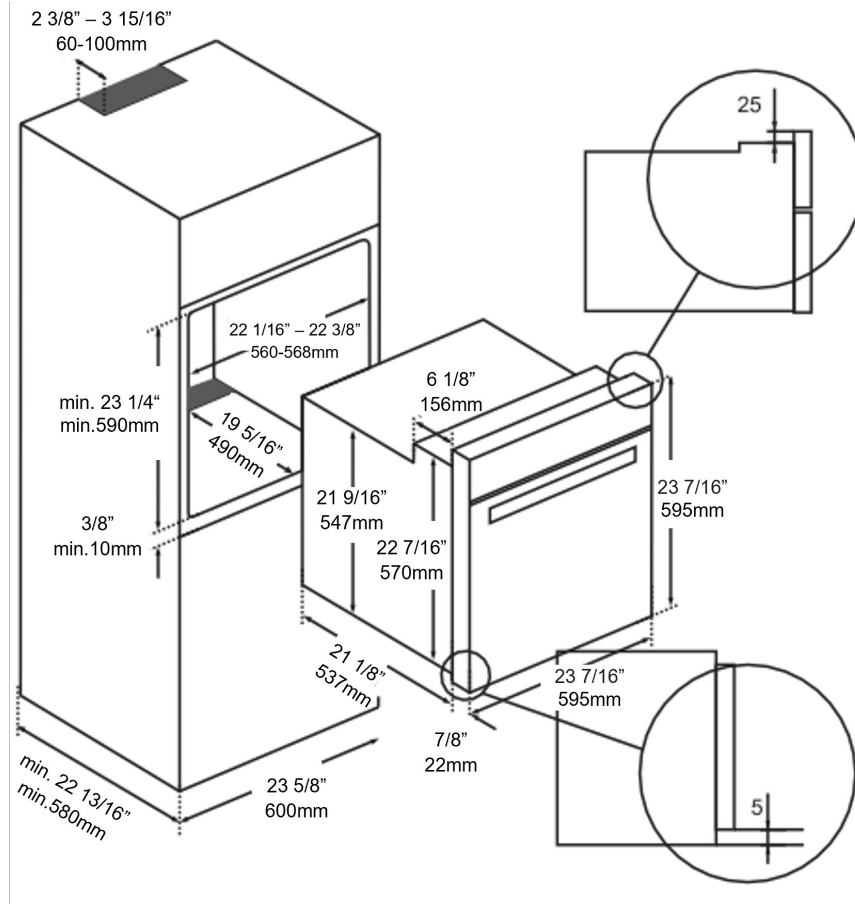
- P&C Ovens are supplied with a 5' long electrical cable and must be hardwired
- P&C Ovens operate using the following wires:
  - RED & BLACK:** Live Wires
  - GREEN:** Ground
 The Neutral (White) wire is not required for the electrical install

#### \*VOID CUT OUT

- If the oven is mounted in a tall or semi-tall cabinet, there must be a minimum gap of 1 9/16" (4cm) cut out of the shelf and behind the upper cabinet to allow air to flow freely.
- A void must be cut out in the shelf of the cabinet. Leave 4" of shelf material around the void.
- Additional support must be added to the shelf with the void. The support must be able to withstand the oven weight.
- If insufficient airflow is not provided, the life span of the appliance will be shortened.
- Cut out in the toe kick is required for adequate airflow.
- Bottom vent grill (7427640) available

#### FALSE BACKS

- Install false backs for storage spaces. This will prevent contents from falling through the vent space. In addition, warm air will not interfere with store contents.



# SOPS60TM-1

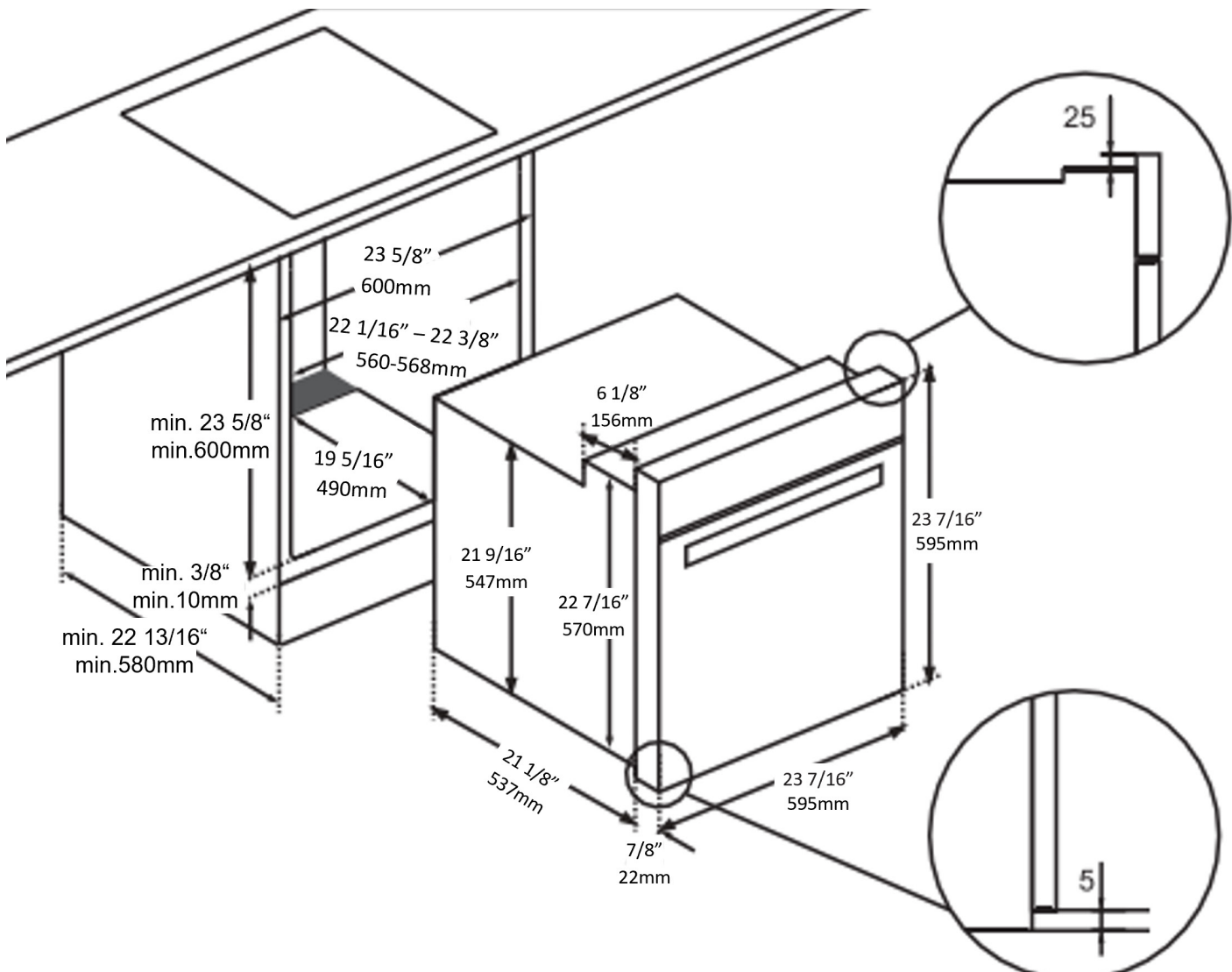
## Specifications



### Recommended Under Counter Dimensions

#### Air Flow Requirements

- If the oven is being placed under the counter, there must be a minimum gap of 1 9/16" (4cm) cut out of the shelf behind the oven to allow air to flow freely.
- A void must be cut out in the shelf of the cabinet. Leave 4" of shelf material around the void.
- Additional support must be added to the shelf with the void. The support must be able to withstand the oven weight.
- If insufficient airflow is provided, the life span of the appliance will be shortened.
- Cut out in the toe kick is required – Bottom vent grill (7427640) available model.



Other Product Downloads Available at [porterandcharles.ca](http://porterandcharles.ca)



#### **WARRANTY INFORMATION**

Porter & Charles Appliances are designed and manufactured to the highest standards. Each appliance is covered by a comprehensive 2-year parts and labour warranty. Refer to product warranty policy for complete terms and conditions.

#### **FOR PARTS & SERVICE**

Euro-Parts & Service  
39822 Belgrave Road, Belgrave, ON. N0G 1E0 1 866 722 2262  
[www.euro-parts.ca](http://www.euro-parts.ca) • [parts@euro-parts.ca](mailto:parts@euro-parts.ca) • [service@euro-parts.ca](mailto:service@euro-parts.ca)

Porter & Charles appliances are imported and distributed in North America by Euro-Line Appliances Inc. For more information, please visit one of our showrooms or [www.ela.ca](http://www.ela.ca) / [www.elawest.ca](http://www.elawest.ca)

#### **EURO-LINE APPLIANCES INC.**

871 Cranberry Court, Oakville, ON  
L6L 6J7 Canada  
905 829 3980  
1 800 421 6332  
[info@ela.ca](mailto:info@ela.ca)

#### **EURO-LINE APPLIANCES INC.**

101-1014 Homer Street, Vancouver, BC  
V6B 2W9, Canada  
604 235 3980  
1 855 ELA WEST (352 9378)  
[info@elawest.ca](mailto:info@elawest.ca)