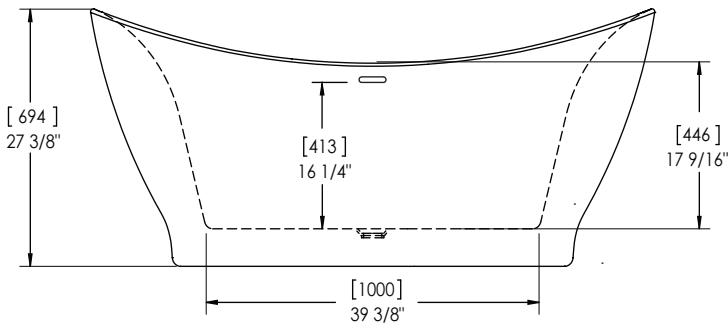
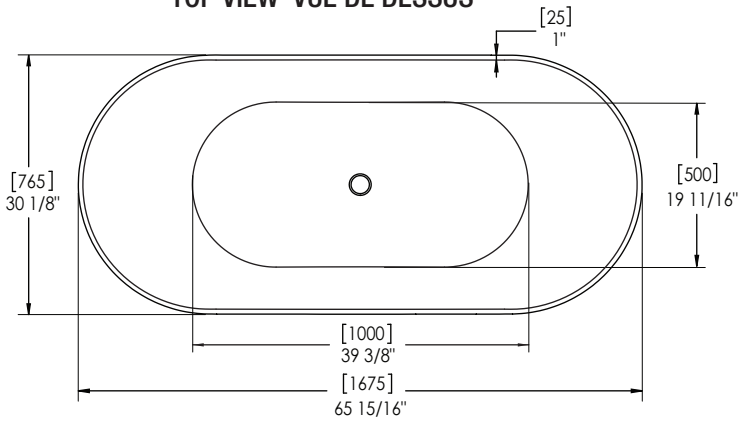


**TOP VIEW VUE DE DESSUS**



**FRONT VIEW VUE DE FACE**



\* Dimensions may vary +/- 1/4" (6mm) / Les dimensions peuvent varier de +/- 1/4" (6mm)

gallons to overflow /	56 gal.
packaging dimension /	68 x 32 x 30 in
approximated weight /	110 lbs
weight with water /	577lbs
bathing well at sump /	39 x 20 in

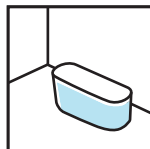


**Compliance Certifications:**

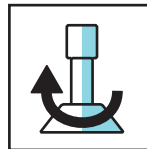
Uniform Plumbing Code  
National Plumbing Code of Canada



Pure acrylic construction reinforced by fiberglass  
*Construction en acrylique renforcée de fibre de verre*



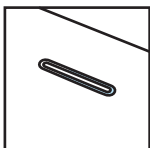
Freestanding installation  
*Installation autoportante*



Adjustable feet  
*Pattes ajustables*



Chrome drain included  
*Drain chrome inclus*



Integrated chrome linear overflow  
*Trop plein linéaire chrome intégré*



CUPC certified  
*Certifié CUPC*