

# FRIGIDAIRE

## Factory Parts Catalog



<b>Product No.</b>	<b>FFUE2024AWE</b>
<b>Series</b>	Frigidaire
<b>Color</b>	white
<b>Volts</b>	115
<b>Owner's Guide</b>	A12735808
<b>Market</b>	North America
<b>Energy Guide</b>	A24876710
<b>Service Data Sheet</b>	A14310902
<b>Quick Start Guide</b>	A29320902

### **Frigidaire**

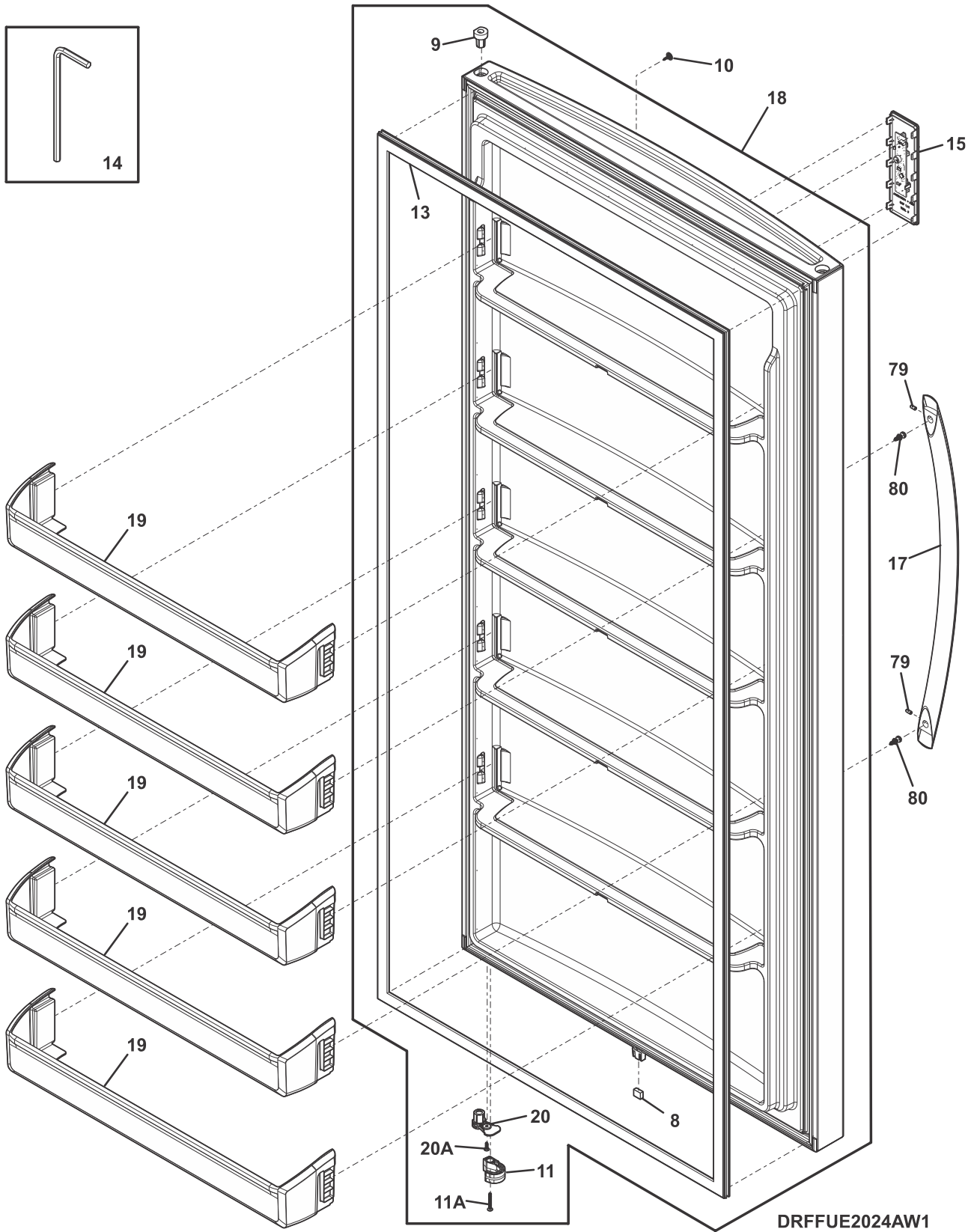
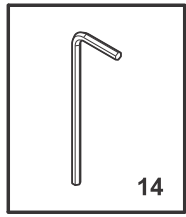
P.O. BOX 8020  
CHARLOTTE, NC 28262

Publication No.  
**5995743399**  
25/06/10  
(EN/SERVICE/BN)  
365

### **UPRIGHT FREEZER**

Model No.  
**FFUE2024A**

DOOR



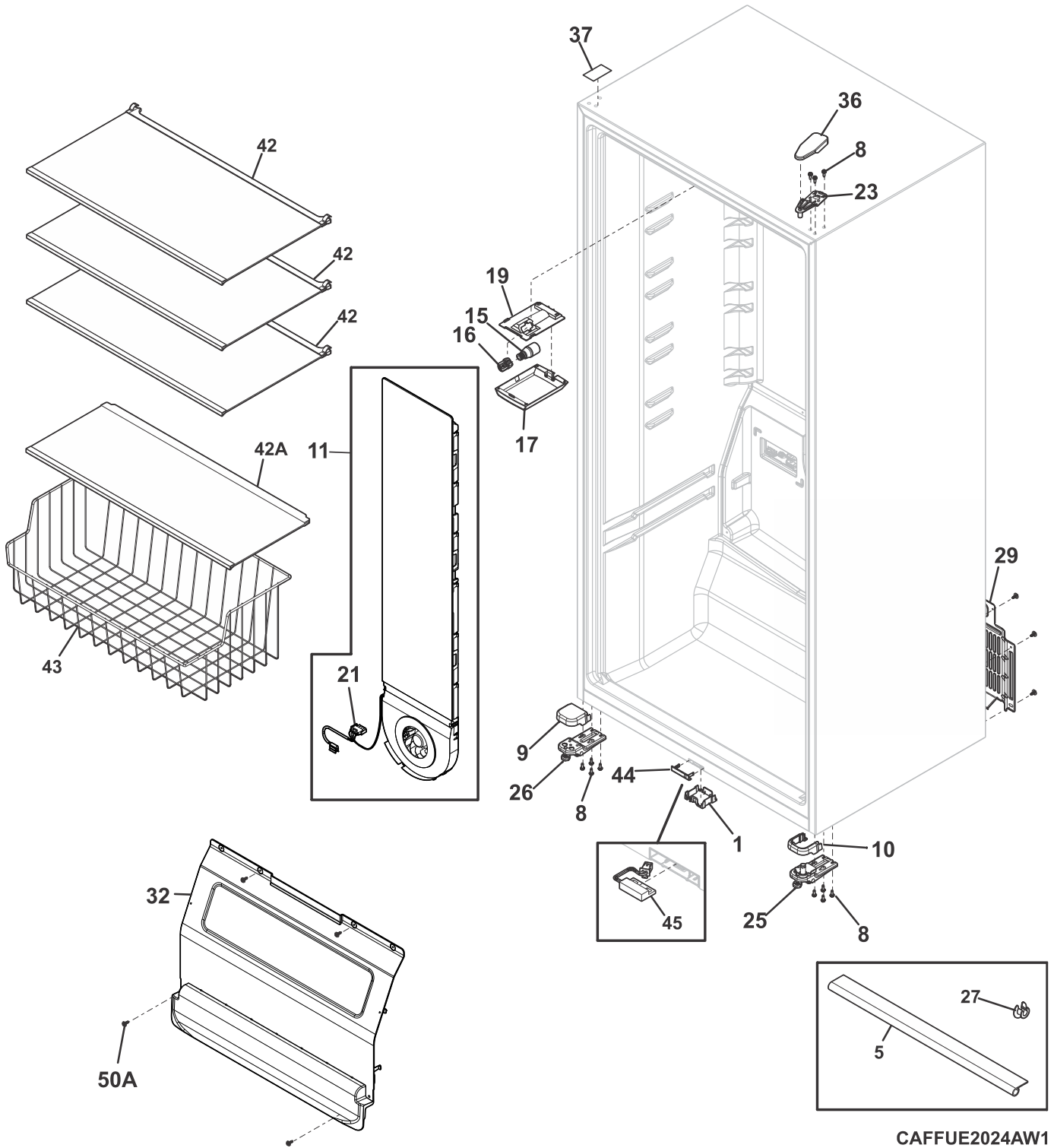
---

**DOOR**


---

<b>POS. NO</b>	<b>PART NO.</b>	<b>DESCRIPTION</b>
8	5304519044	Magnet, reed switch
9	5304519757	Bearing, hinge, white
11	5304519789	Hook, door closer, white
11A	241953905	Screw, 8-18 X 1.25
13	5304524887	Gasket, door, gray
14	241601002	Wrench, allen
15 #	5304524097	User Interface, assembly, w/pc board
17	5304510343	Handle-door, stainless
18	5304531521	Door Assembly, freezer, white, w/gasket-hrdwre
19	5304524110	Shelf, door, clear
20	5304523784	Bearing, door, lower
20A	241953901	Screw, quad hilo, #8-18 x 0.50
79	218755407	Screw, set, 10-32 x 0.500
80	218755504	Screw, shoulder, #10-AB, handle mounting
80*	240494001	Button, plug, white
* #	5304524123	Harness, jumper, cabinet, to door

CABINET



CAFFUE2024AW1

**CABINET**

POS. NO	PART NO.	DESCRIPTION
1	5304523792	Cover, housing, reed switch
1*	240433204	Screw, hex washer head, 8-18 x 5/16
5	5304524149	Channel, wiring harness
8	5304522279	Screw, hex wsh hd quad, M5 x 16
9	5304519777	Cover, hinge, white, lower, non hinged
10	5304522244	Cover, hinge side, white, lower
11 #	5304530202	FOIL HEATER - AIR TOWER, 11 #
12	241953905	Screw, 8-18 X 1.25
15	5304522314	BULB, light, E17/12 LED
16 #	5304522315	Socket, LED light
17	5304523778	Cover, lens
17*	5303918891	Air Tower Assenmbly, complete, w/motor-heater
19	5304523777	Mount, socket
21 #	5304523788	Harness Assembly, temp/defrost, w/thermostats
23	5304537471	Hinge, upper
24	5304523722	Mount-fan, evaporator
25	5304529045	Hinge-bottom, assembly, RH, w/foot-closer
26	5304523747	Hinge-bottom, assembly, LH non hinged, w/foot
27	5304524141	Spacer, roller, lower hinge
29 #	5304535414	COVER-DUST U20/TT, 29 #
29*	241500305	Screw, hex hd, #8-18 x 5/8
32	5304534437	Cover Assembly, evaporator, w/insulation
32*	242166300	TAPE-ALUMINUM, 32*
36	5304530010	Cover, upper hinge, white
37	5304523313	Label, blank, white, hole cover
42	5304536377	Shelf Assembly, 26.7", glass
42A	5304536378	Shelf Assembly, 27.8", glass
43	5304536776	BASKET-LOWER, WIRE U20 (GRAY)
44	5304524130	Cover, reed switch, front
45 #	5304527992	Reed Switch Harness, assembly
50A	5304523738	Screw, hex wash hd, M4.2 x 16
* #	5304524123	Harness, jumper, cabinet, to door
*	5304534034	Screw, type AB, #10-16



---

**SYSTEM**


---

POS. NO	PART NO.	DESCRIPTION
1 #	5304530007	Condenser, dynamic
3 #	5304519693	Tube, suction jumper
4 #	5304531506	Inverter, Flexdrive 2.2
5 #	5304532290	Harness, wiring, machine compt.
10 #		A19676501 Filter, drier, service
11	5304523830	Evaporator, coil
12	5304523831	Support, evaporator, RH
14	5304530284	Support, evaporator, LH
15 #	5304524953	Heater, defrost
16	5308000110	Strap-evap/heater, aluminum, (2)
18	5304524607	Clamp, compressor
19	5304525042	Tube, drain, extension
20	5304523720	Trough, drain
21 #	5304523788	Harness Assembly, temp/defrost, w/thermostats
22	5304523693	Base Assembly, compressor, w/rollers
28 #	5304523741	Motor-fan, evaporator
29 #	5304535399	Condenser Fan, assembly, 29 #, w/shroud
30 #	5304530136	Compressor, assembly, VTH1111Y, 230V, w/grommets
30A	5304530281	Grommet, cmprsr mtg, 34
31	5304519674	Pan, drain
32	5304519745	Baffle, drain pan, air block
33	5304519751	Seal, foam, air block
31A	5304523724	Seal, drain pan, foam
50 #	5304529280	Board Assembly, main, ERF300, w/housing
50A	5304523738	Screw, hex wash hd, M4.2 x 16
51	5304530111	Drain Jumper, assembly, w/seal
52	5304523694	Baffle, divider
53	5304525744	Cover, drain jumper
81	5304519765	Screw, hx wash hd, M4.2 x 12
*	30534600	Clip, plastic, w/adhesive
*	218103403	Wire Tie
*	240433204	Screw, hex washer head, 8-18 x 5/16
*	241500305	Screw, hex hd, #8-18 x 5/8
*	241853202	Screw, hex head, #8-18X5/8
*	5304523801	Screw, hex wash hd, m4 x 10