






## Réfrigérateur encastré côte à côte avec distributeur - 48 po - 29.4 pi cu

KBSD708MPS

### Finis/couleurs disponibles

	KBSD708MBS Black Stainless Steel with PrintShield™ Finish
	KBSD708MSS Acier Inoxydable

	KBSD708MPS Acier inoxydable à fini PrintShield™
---	--

Ce réfrigérateur encastré de 48 po de qualité supérieure avec distributeur extérieur d'eau et de glaçons est doté du fini PrintShield™ noir résistant aux traces de doigts et d'un espace de rangement novateur à l'intérieur. La zone de préparation sous tablette avec moule inclus et le plateau coulissant résistant aux taches et à l'humidité permettent de ranger et organiser les ingrédients en toute élégance. Par ailleurs, le système de gestion de la température ExtendFresh™ Plus maintient des températures optimales pour vos aliments.

Dimensions	
Profondeur	27 11/16
Hauteur	83 3/8
Largeur	47 1/4

Extérieur	
Matériau de la poignée de porte	Métal
Charnière dissimulée	Oui

Volumes AHAM et tablettes	
Volume du congélateur (pi3)	10.30
Volume total (pi3)	29.4

Commandes	
Dégivrage automatique (2)	Oui
Avertisseur de porte ouverte ou entrouverte	Oui
Écran tactile ACL	Non
Voyant du filtre à eau/Réinitialisation	Oui

AHAM Volumes And Shelf Area	
Refrigerator Volume (Cu Ft)	19.11

Détails	
Advance Foam Insulation	99.9% lower Global Warming Potential
Refrigerant	R600a
Style de porte	Plate

Détails du réfrigérateur	
Éclairage	DEL

### Caractéristiques clés





Zone de préparation sous tablette

Plateau de rangement coulissant

Système de gestion de la température ExtendFresh™

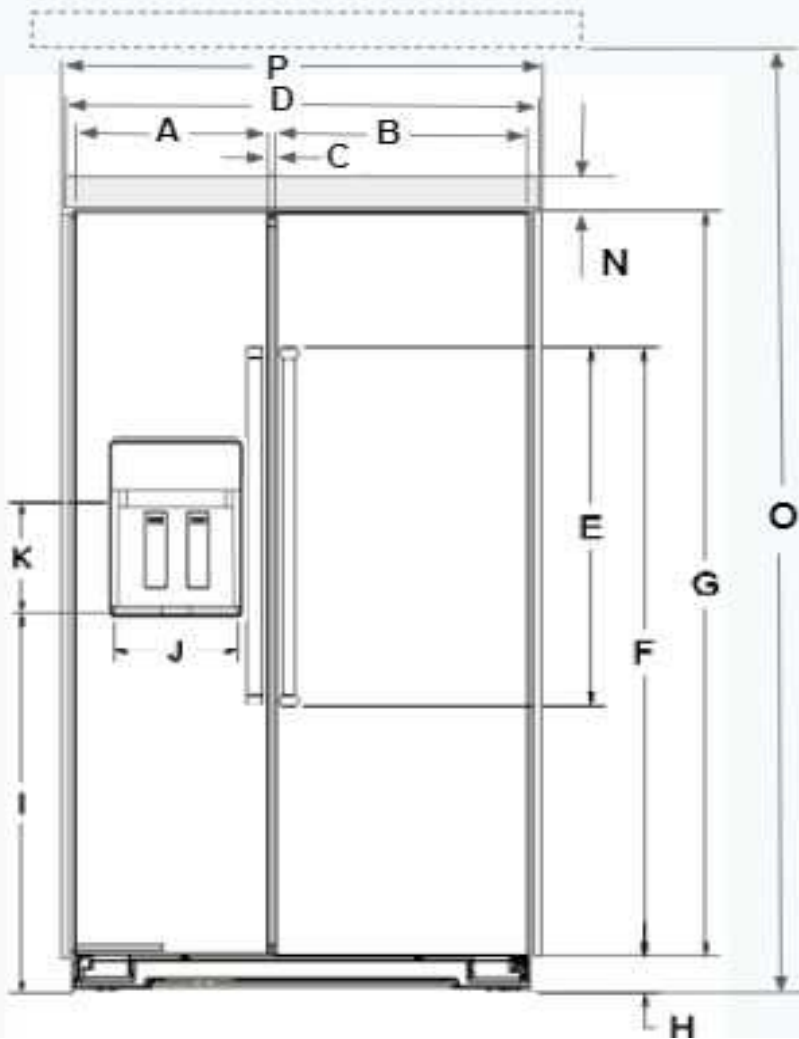
Compartment du congélateur	
Nombre de tablettes de congélateur	6

### Guides et documentation:

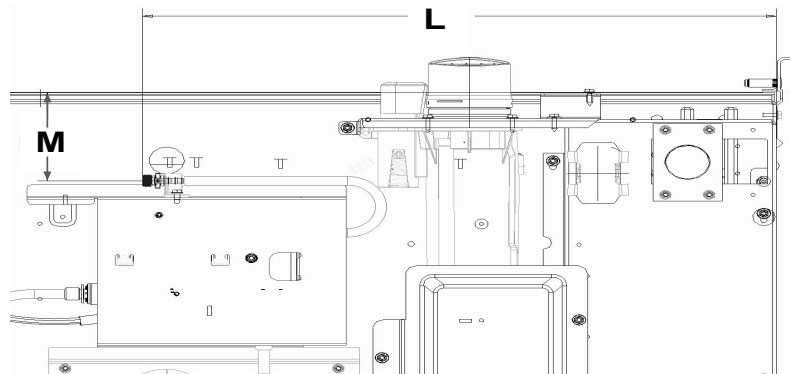
-  [Dimension Guide](#)
-  [Energy Guide](#)
-  [Use and Care Guide](#)
-  [Warranty Information](#)

Extérieur	
Couleur de la poignée	Acier inoxydable
Résistant aux traces de doigts	Oui

## Product Dimension Guide for models KBSD702/706/708

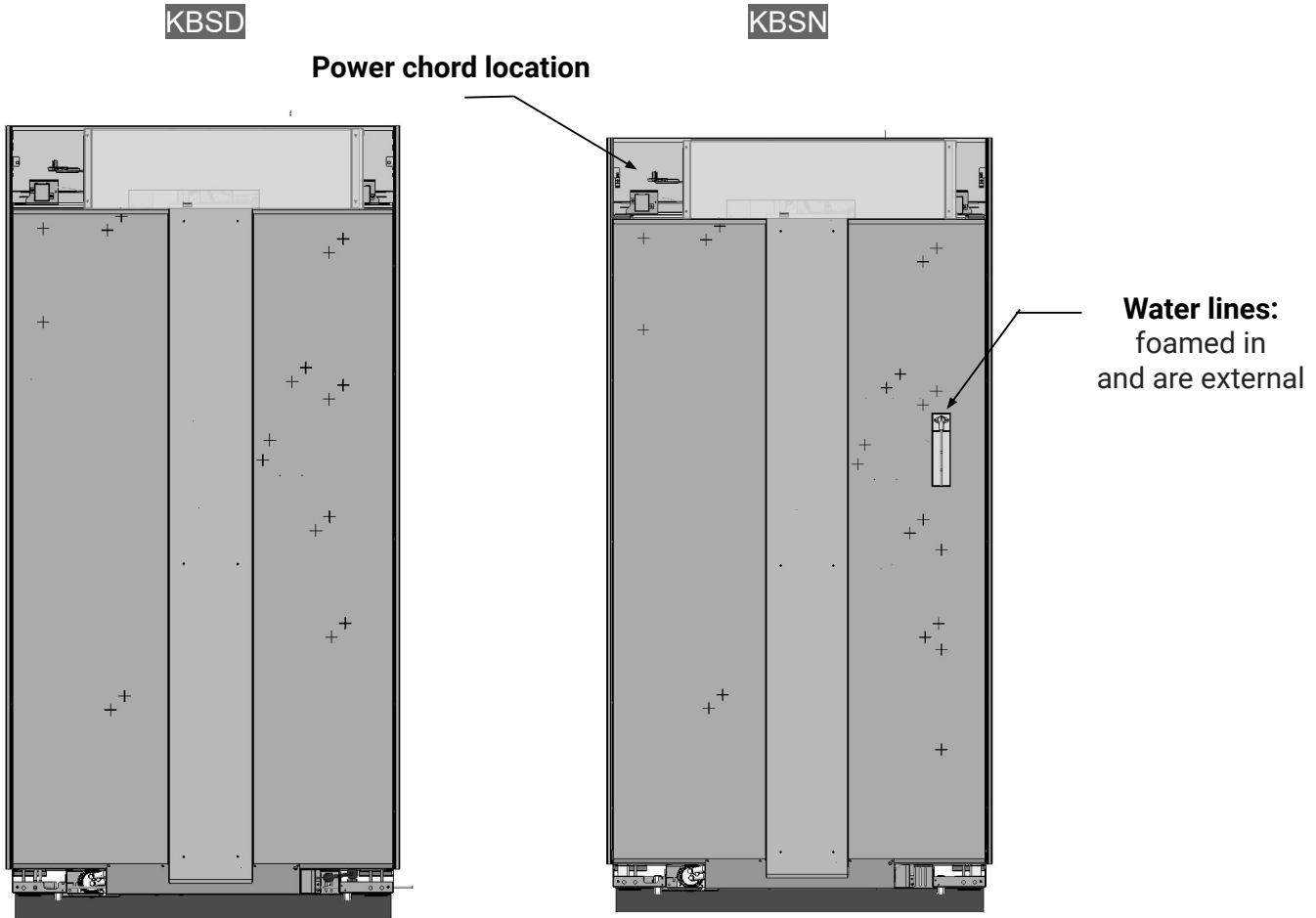


Description		Inches (cm)
<b>A</b>	Width of FC door	
	36"	15" (38.1)
	42"	17½" (44.4)
<b>B</b>	Width of RC door	
	36"	20" (50.8)
	42"	23½" (59.7)
<b>C</b>	Space between doors	1/4" (0.65)
<b>D</b>	Overall width with band	
	36"	36 <sup>3</sup> / <sub>16</sub> " (91.9)
	42"	42 <sup>3</sup> / <sub>16</sub> " (107.2)
<b>E</b>	Height of door handles	39 <sup>1</sup> / <sub>16</sub> " (99.3)
<b>F</b>	Height to top of door handles	60 <sup>9</sup> / <sub>16</sub> " (153.8)
<b>G</b>	Height of doors	70 <sup>15</sup> / <sub>16</sub> " (180.2)
<b>H</b>	Height of grille	3 <sup>9</sup> / <sub>16</sub> " (9.0)
<b>I</b>	Height to bottom of the Dispenser	38 <sup>5</sup> / <sub>16</sub> " (97.3)
<b>J</b>	Width of Dispenser	9 <sup>3</sup> / <sub>16</sub> " (23.3)
<b>K</b>	Height of Dispenser	7 <sup>11</sup> / <sub>16</sub> " (19.5)
<b>L</b>	Water line location distance from side	17 <sup>3</sup> / <sub>4</sub> " (45.0)
<b>M</b>	Water line location distance from front	3 <sup>1</sup> / <sub>4</sub> " (8.2)
<b>N</b>	Height of grille (top)	8 <sup>7</sup> / <sub>8</sub> " (22.6)
	To bottom of solid soffit (minimum/maximum)	83 <sup>1</sup> / <sub>2</sub> " (212.1) 84 <sup>5</sup> / <sub>8</sub> " (215)
<b>P</b>	Overall width with side trims	
	36"	36 <sup>3</sup> / <sub>8</sub> " (92.3)
	42"	42 <sup>3</sup> / <sub>8</sub> " (107.6)
<b>O</b>	Overall height	84 <sup>3</sup> / <sub>8</sub> " (122.8)



Because Whirlpool Corporation policy includes a continuous commitment to improve our products, we reserve the right to change materials and specifications without notice. Dimensions are for planning purposes only. For complete details, see Installation Instructions packed with product. Specifications subject to change without notice.

# Product Dimension Guide for models KBSD702/706/708

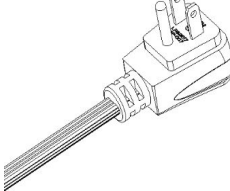


## Electrical Requirements

**⚠ Mise en garde**

**Risque de choc électrique**

**Branchez dans une prise à 3 broches mise à la terre.**  
**Ne pas enlever la broche de mise à la terre.**  
**N'utilise pas un adaptateur.**  
**N'utilisez pas de rallonge.**  
**Le non-respect de ces instructions peut entraîner la mort, un incendie ou un choc électrique.**

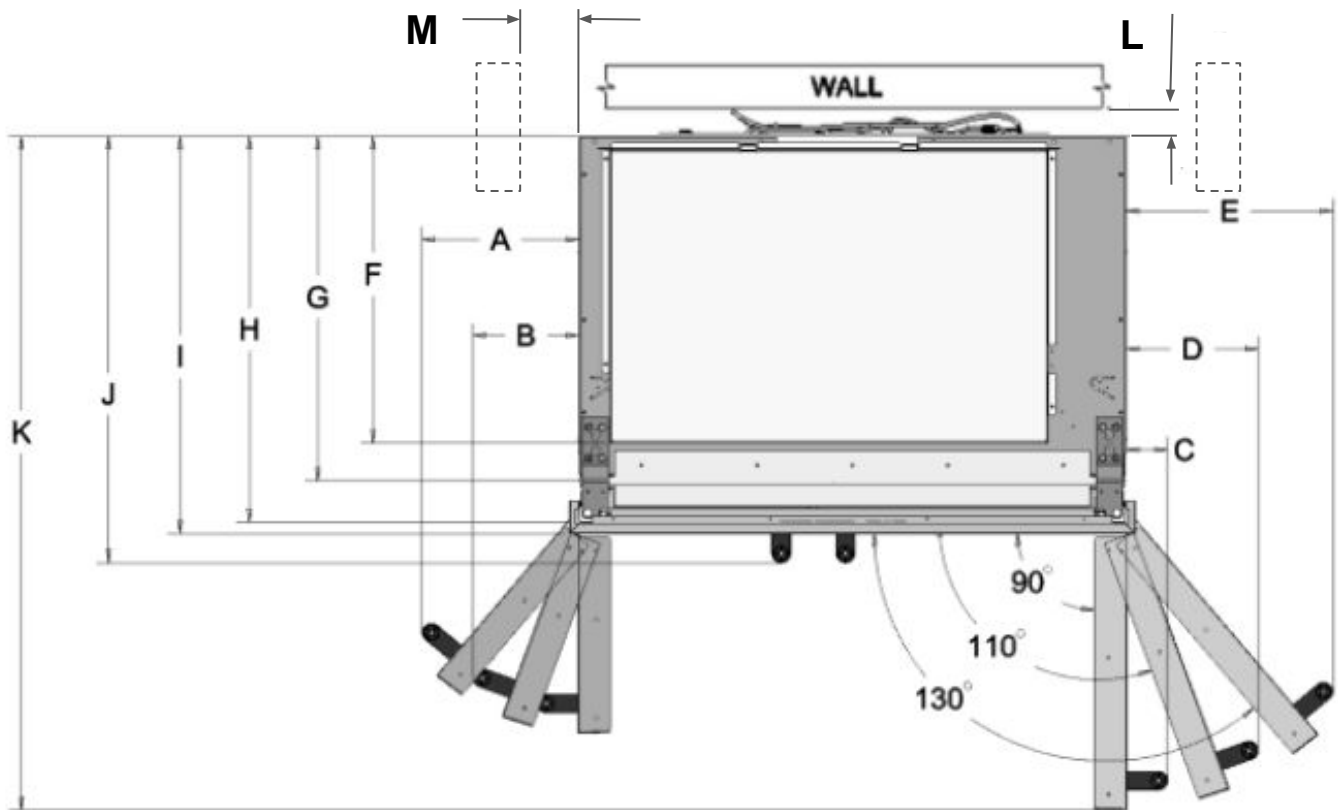
Power chord	
Type	Length Inches (cm)
	Standard 60" (152.5)

**Electrical:** A 115V, 60 Hz, AC only, 15A or 20A fused, grounded electrical supply is required. It is recommended that a separate circuit serving only your refrigerator be provided. Use an outlet that cannot be turned off by a switch. Do not use an extension cord.

**Water:** A cold water supply with water pressure of between 30 and 120 psi (270 kPa and 827 kPa) is required to operate the water dispenser and ice maker. If you have questions about your water pressure, call a licensed, qualified plumber.

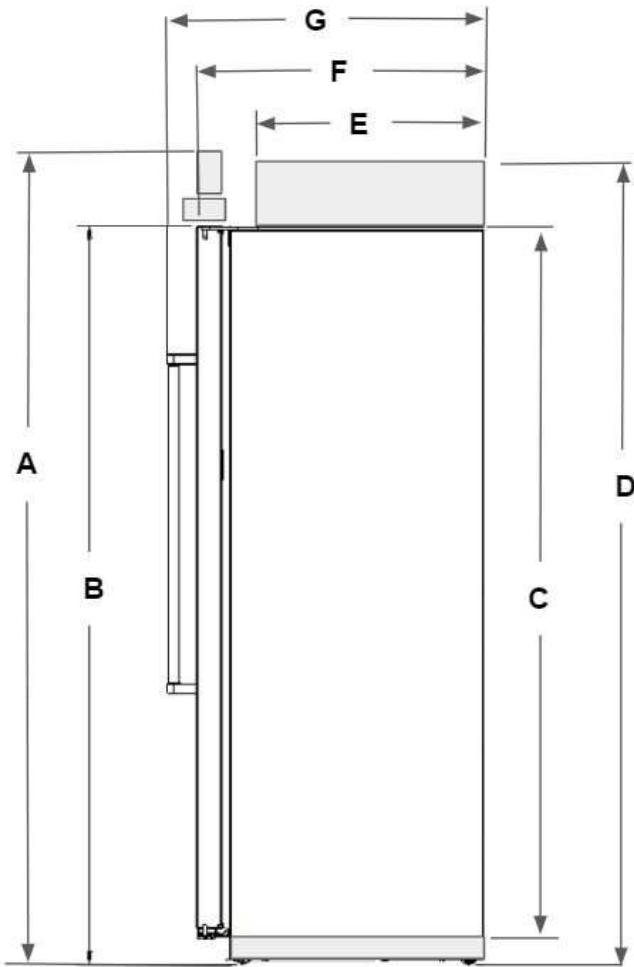
**Because Whirlpool Corporation policy includes a continuous commitment to improve our products, we reserve the right to change materials and specifications without notice. Dimensions are for planning purposes only. For complete details, see Installation Instructions packed with product. Specifications subject to change without notice.**

## Product Dimension Guide for models KBSD702/706/708



Description		Inches (cm)
<b>A</b>	Width from FC side of refrigerator to handle - door fully open 130°	10" (25.4) 11 <sup>5</sup> / <sub>8</sub> " (29.5) 13 <sup>1</sup> / <sub>4</sub> " (33.6)
<b>B</b>	Width from FC side of refrigerator to handle - door fully open 110°	6 <sup>3</sup> / <sub>4</sub> " (17.1) 7 <sup>5</sup> / <sub>8</sub> " (19.3) 8 <sup>7</sup> / <sub>16</sub> " (21.5)
<b>C</b>	Width from FC side of refrigerator to handle - door open 90°	2 <sup>11</sup> / <sub>16</sub> " (6.8)
<b>D</b>	Width from RC side of refrigerator to handle - door fully open 110°	8 <sup>7</sup> / <sub>16</sub> " (21.5) 9 <sup>5</sup> / <sub>8</sub> " (24.5) 10 <sup>7</sup> / <sub>8</sub> " (27.6)
<b>E</b>	Width from RC side of refrigerator to handle - door fully open 130°	13 <sup>1</sup> / <sub>4</sub> " (33.6) 15 <sup>1</sup> / <sub>2</sub> " (39.3) 17 <sup>3</sup> / <sub>4</sub> " (45.1)
<b>F</b>	Depth to machine compartment cover	19 <sup>15</sup> / <sub>16</sub> " (50.6)
<b>G</b>	Depth without doors	22 <sup>3</sup> / <sub>8</sub> " (56.8)
<b>H</b>	Depth with doors	25 (63.5)
<b>I</b>	Depth with top grill	25 <sup>13</sup> / <sub>16</sub> " (65.5)
<b>J</b>	Depth with handles	27 <sup>11</sup> / <sub>16</sub> " (70.4)
<b>K</b>	Depth with RC door open 90°	10" (25.4) 11 <sup>5</sup> / <sub>8</sub> " (29.5) 13 <sup>1</sup> / <sub>4</sub> " (33.6)
<b>L</b>	Space required for water lines and power chord	1" (2.54)
<b>M</b>	Space required for side cabinet	6" (15.24)

# Product Dimension Guide for models KBSD702/706/708



Description		Inches (cm)
A	Total height	83 <sup>3</sup> / <sub>8</sub> " (211.8)
B	Height to top of doors	74 <sup>1</sup> / <sub>2</sub> " (189.2)
C	Height of Cabinet	71" (180.4)
D	Height to top of machine compartment cover	83 <sup>3</sup> / <sub>16</sub> " (211.3)
E	Depth to machine compartment cover	19 <sup>15</sup> / <sub>16</sub> " (50.6)
F	Depth with doors	25" (63.5)
G	Depth with handles	27 <sup>11</sup> / <sub>16</sub> " (70.4)

Interior dimensions	Width Inches (cm)	Height Inches (cm)
<b>Refrigerator Compartment</b>		
36"	17 <sup>5</sup> / <sub>16</sub> " (44.0)	67 <sup>1</sup> / <sub>16</sub> " (170.4)
42"	20 <sup>13</sup> / <sub>16</sub> " (52.9)	
48"	24 <sup>5</sup> / <sub>16</sub> " (61.8)	
<b>Freezer Compartment</b>		
36"	11 <sup>13</sup> / <sub>16</sub> " (30.0)	66 <sup>3</sup> / <sub>4</sub> " (169.6)
42"	14 <sup>5</sup> / <sub>16</sub> " (36.4)	
48"	16 <sup>13</sup> / <sub>16</sub> " (42.7)	

## Location Requirements

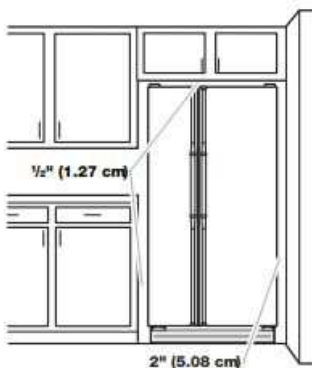
**⚠ WARNING**



**Explosion Hazard**

Keep flammable materials and vapors, such as gasoline, away from refrigerator.

Failure to do so can result in death, explosion, or fire.



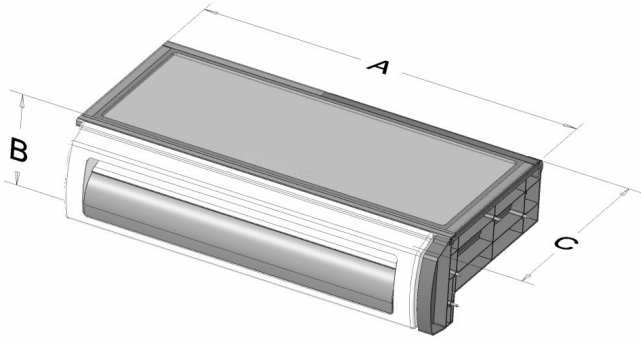
To ensure proper ventilation for your refrigerator, allow for 1/2" (1.27 cm) of space on each side and at the top. Allow for 1" (2.54 cm) of space behind the refrigerator. If your refrigerator has an ice maker, allow extra space at the back for the water line connections. When installing your refrigerator next to a fixed wall, leave a 2" (5.08 cm) minimum space on each side (depending on your model) to allow the doors to swing open.

**NOTES:**

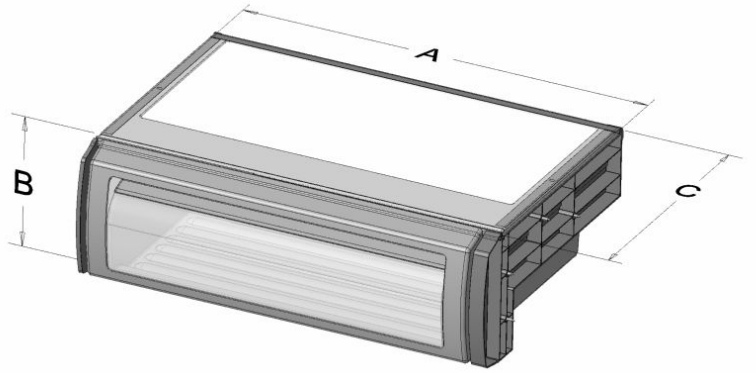
- This refrigerator is intended for use in a location where the temperature ranges from a minimum of 55°F (13°C) to a maximum of 110°F (43°C). The preferred room temperature range for optimum performance, which reduces electricity usage and provides superior cooling, is between 60°F (15°C) and 90°F (32°C). It is recommended that you do not install the refrigerator near a heat source, such as an oven or radiator.

- Normal minimum cabinet cut-out width required for product installation is 36" (91.44 cm). However, if the product is placed against an extended wall and the ability to remove the crisper pans is desired, an additional 18" (45.72 cm) of cabinet width is required, so a total cabinet opening width of 54" (137.16 cm) is recommended.

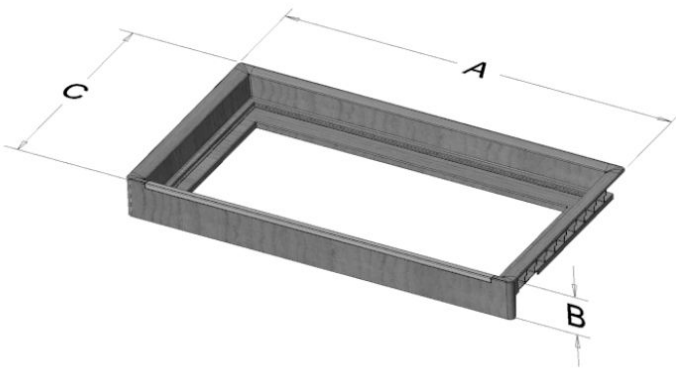
## Product Dimension Guide for models KBSD702/706/708



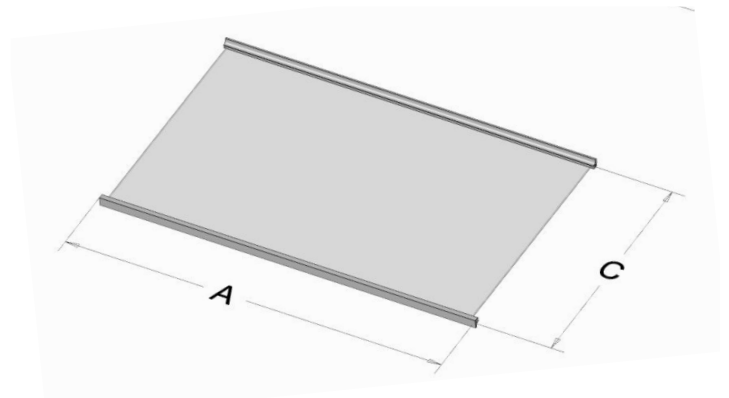
**Meat Pan**



**Crisper Pan**



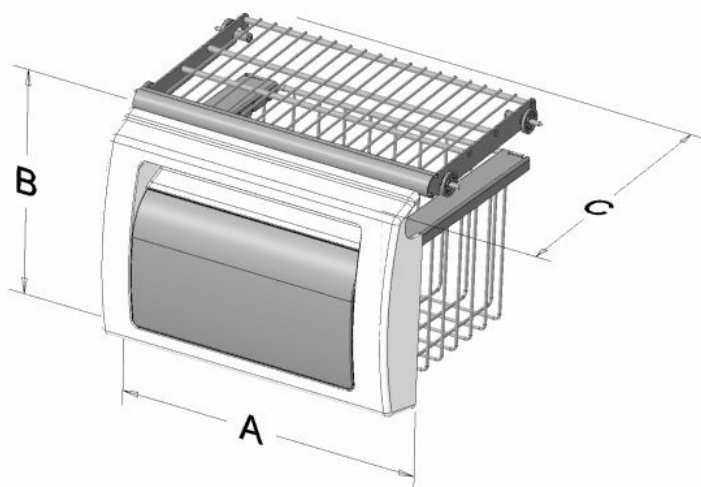
**Pull Out Tray**



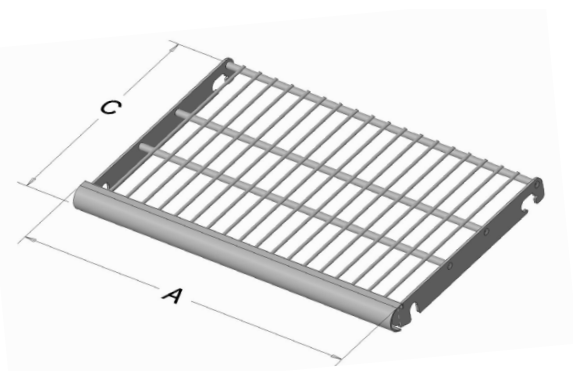
**Shelf**

Refrigerator Compartment Features			
Description	A Width Inches (cm)	B Height Inches (cm)	C Depth Inches (cm)
<b>Meat pan</b>  36" 42" 48"	$17\frac{1}{8}"$ (43.5) $20\frac{11}{16}"$ (52.5) $24\frac{3}{16}"$ (61.4)	$6\frac{1}{16}"$ (15.6)	$12\frac{7}{8}"$ (32.7)
<b>Crisper pan</b>  36" 42" 48"	$17\frac{3}{16}"$ (43.7) $20\frac{11}{16}"$ (52.5) $24\frac{3}{16}"$ (61.4)	$7\frac{15}{16}"$ (20.1)	$16\frac{9}{16}"$ (42.1)
<b>Pull out tray</b>  36" 42" 48"	17" (43.1) $20\frac{7}{16}"$ (51.9) $23\frac{15}{16}"$ (60.8)	$2\frac{3}{8}"$ (6.1)	$12\frac{9}{16}"$ (31.9)
<b>Shelf</b>  36" 42" 48"	$16\frac{11}{16}"$ (42.4) $20\frac{3}{16}"$ (51.3) $23\frac{11}{16}"$ (60.2)	N/A	14" (35.5)

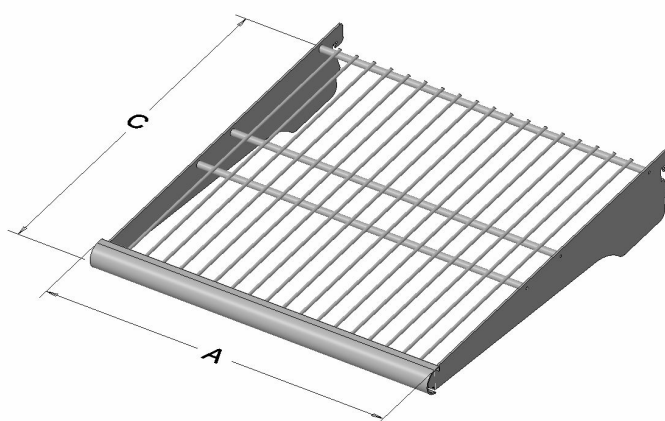
## Product Dimension Guide for models KBSD702/706/708



**Basket Freezer**



**Bottom Wire Shelf**



**Top Wire Shelf**

Freezer Compartment Features			
Description	A Width Inches (cm)	B Height Inches (cm)	C Depth Inches (cm)
<b>Basket Freezer</b> 36" 42" 48"	11 <sup>5</sup> / <sub>16</sub> " (28.7) 13 <sup>3</sup> / <sub>4</sub> " (35.0) 16 <sup>1</sup> / <sub>4</sub> " (41.3)	8 <sup>7</sup> / <sub>16</sub> " (21.5)	10 <sup>3</sup> / <sub>16</sub> " (25.8)
<b>Bottom Wire Shelf</b> 36" 42" 48"	11 <sup>7</sup> / <sub>16</sub> " (29.0) 13 <sup>7</sup> / <sub>8</sub> " (35.3) 16 <sup>7</sup> / <sub>16</sub> " (41.7)	N/A	7 <sup>1</sup> / <sub>8</sub> " (18.1)
<b>Top Wire Shelf</b> 36" 42" 48"	11 <sup>7</sup> / <sub>16</sub> " (29.0) 13 <sup>7</sup> / <sub>8</sub> " (35.3) 16 <sup>7</sup> / <sub>16</sub> " (41.7)	N/A	11 <sup>9</sup> / <sub>16</sub> " (29.7)