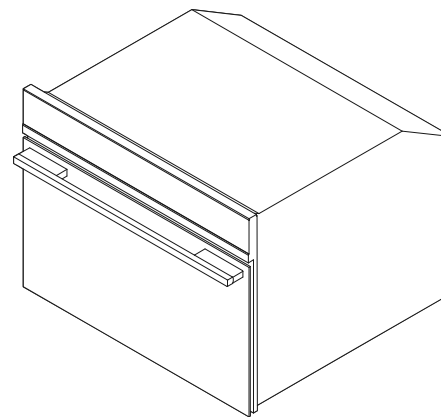


SPEED OVEN

OM24N models



① SAFETY AND WARNINGS

Installation

⚠ WARNING!



Electrical Shock Hazard

Before carrying out any work on the electrical section of the appliance, it must be disconnected from the mains electricity supply.

Connection to a good ground wiring system is absolutely essential and mandatory.

Alterations to the domestic wiring system must only be made by a qualified electrician

Failure to follow this advice may result in electrical shock or death.

⚠ WARNING!



Fire Hazard

Do not use adaptors, reducers, or branching devices to connect this appliance to the mains power supply.

Failure to follow this advice may result in overheating, burning, or fire.

⚠ WARNING!



Cut Hazard

Take care - some edges are sharp.

Failure to use caution could result in injury or cuts.

IMPORTANT SAFETY INSTRUCTIONS!

To avoid hazard, follow these instructions carefully before installing or using this appliance.

- Save these instructions for the local inspectors use.
- Please make this information available to the person installing the appliance - doing so could reduce your installation costs.
- This oven is to be installed and connected to the electricity supply only by an authorized person.

- If the installation requires alterations to the domestic electrical system, call a qualified electrician. The electrician should also check that the socket cable section is suitable for the electricity drawn by the oven.
- The oven must be grounded.
- Installation must comply with your local building and electricity regulations.
- This appliance must be installed and connected to the mains power supply only by a suitably qualified person according to these installation instructions and in compliance with any applicable local building and electricity regulations. Failure to install the appliance correctly could invalidate any warranty or liability claims.
- If the power supply cable is damaged, it must be replaced by the manufacturer, its service agent or similarly qualified person in order to avoid a hazard.
- A circuit breaker is recommended.
- Do not use adaptors, reducers or branching devices to connect the oven to the mains electricity supply, as they can cause overheating and burning.
- Make sure the cavity is completely sealed with no gaps. This is to ensure the oven cooling system functions correctly.
- Do not allow children and animals to stop or linger near the appliance when it is pulled out of the cabinet.

Electrical requirements

- Connect oven with copper wire only.
- Do not cut the conduit.
- A U.L. listed conduit connector must be provided at the junction box.
- Do not ground to a gas pipe.
- Do not have a fuse in the grounding or neutral circuit.
- Fuse both sides of the line.
- A time delay fuse or circuit breaker is recommended. If using a time delay fuse, then fuse both sides of the line.
- Flexible armored cable from the appliance should be connected directly to the junction box.
- Connect directly to the fused disconnect (or circuit breaker box) through flexible, armored or non-metallic sheathed, copper cable (with grounding wire).
- If codes permit and a separate grounding wire is used, it is recommended that a qualified electrician determine that the grounding path and wire gauge are in accordance with local codes.

IMPORTANT!
SAVE THESE INSTRUCTIONS

② PRIOR TO INSTALLATION

- The countertop and oven cavity are square and level, and are the required dimensions.
- The installation will comply with all clearance requirements and applicable standards and regulations.
- The isolating switch will be easily accessible to the customer with the oven installed.
- The electrician provides sufficient free length of power supply cable to reach from the bottom rear of the cavity to at least 59 1/16" (1.5m) in front of the bottom edge of the opening.
- The cable may enter the cavity from the side, top or bottom, but top entry must be at the rear of the cavity.
- The oven connection socket (if fitted) is outside the cavity if the oven is flush to the rear wall.
- The oven will rest on a surface that can support its weight.
- The height from the floor suits the customer.
- You consult local building authorities and by-laws if in doubt regarding installation.

IMPORTANT!

Some environmental factors and cooking habits can cause condensation in and around the oven during use. To protect surrounding cabinetry from possible damage caused by frequent or excessive condensation, we recommend moisture-proofing the oven cavity.



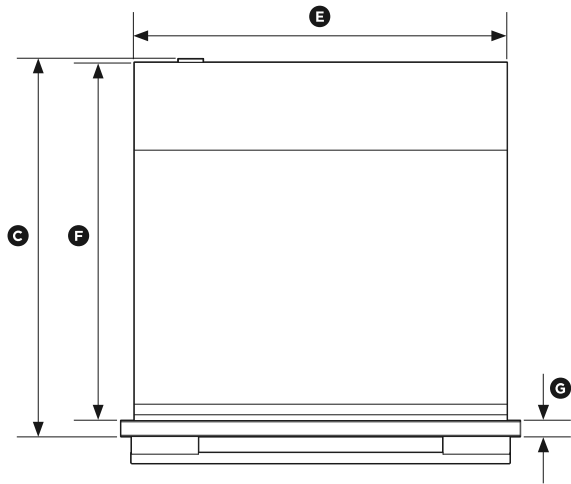
③ AFTER INSTALLATION

IMPORTANT!

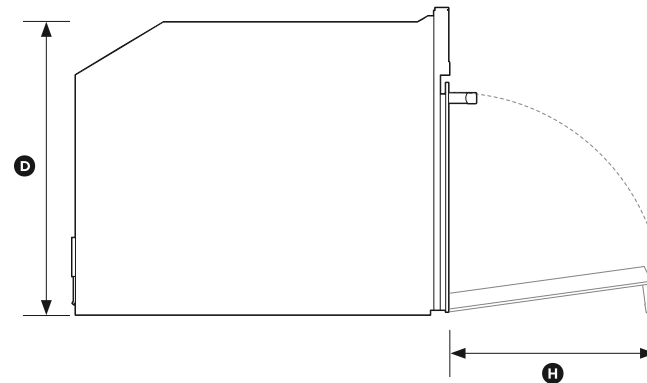
Take extra care not to damage the lower trim of the oven during installation. The trim is important for correct air circulation and allows the door to open and close without obstruction. The manufacturer does not accept any responsibility for damage resulting from incorrect installation.

- The oven door(s) can open fully without obstruction.
- The power supply cable does not touch any hot metal parts.
- The isolating switch is easily accessible to the customer with the oven installed.
- You complete the 'Final checklist' at the end of the installation.
- If, after following the instructions given, correct performance cannot be achieved, please contact your nearest Fisher & Paykel Authorized Service Center, Customer Care, or contact us through our local website listed at the end of this document.

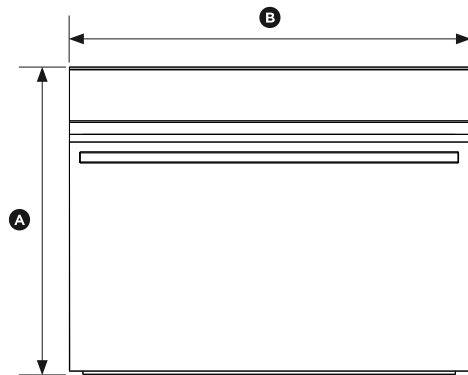
④ PRODUCT DIMENSIONS



TOP



SIDE



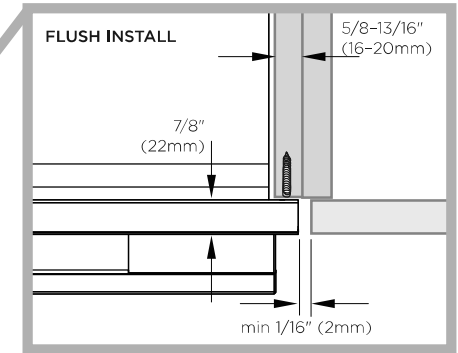
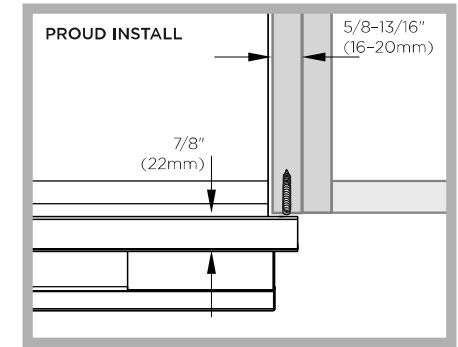
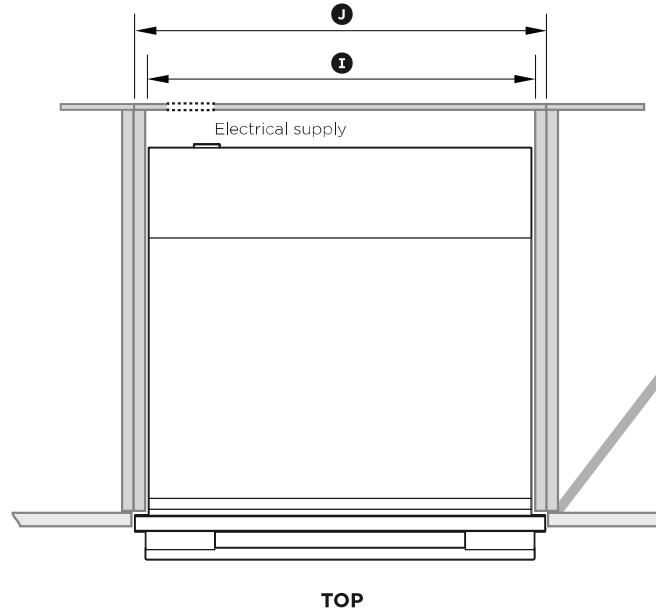
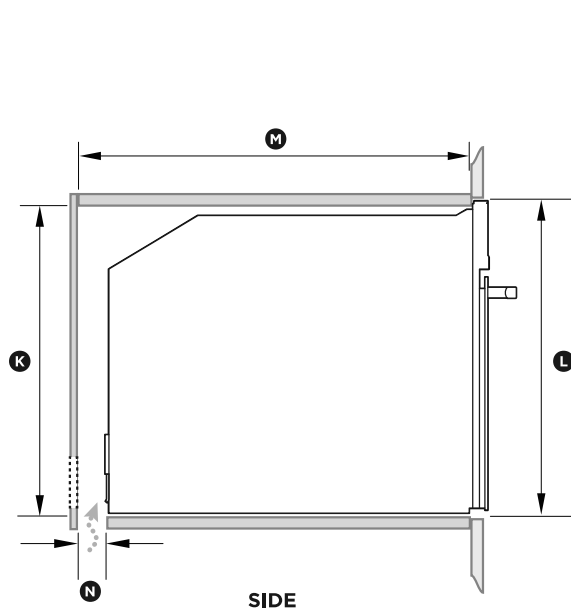
FRONT

PRODUCT DIMENSIONS

| PRODUCT DIMENSIONS | OM24N MODELS |
|---|----------------|
| | inches (mm) |
| Ⓐ Overall height of product | 18" (458) |
| Ⓑ Overall width of product | 23 7/16" (596) |
| Ⓒ Overall depth of product (excluding handle and dials) | 22 1/8" (562) |
| Ⓓ Height of chassis | 17 1/2" (445) |
| Ⓔ Width of chassis | 21 7/8" (556) |
| Ⓕ Depth of chassis | 21 1/4" (540) |
| Ⓖ Depth of oven frame and control panel (=distance between front of chassis and front of oven door, excl. knobs) | 7/8" (22) |
| Ⓗ Depth of oven door when fully open (measured from front of control panel) | 12 5/8" (320) |

5 A CABINETY DIMENSIONS (18 1/8" (460mm) HIGH CAVITY)

- The oven can be installed under a cooktop, in a column, or combined with the companion warmer drawer.
- The cabinet material must be able to withstand heat.
- The oven must be centered within the walls of the cabinet and fixed with the screws and bushings that are provided.



CABINETY DIMENSIONS

| | | OM24N MODELS |
|---|---------------------------------|---------------------|
| | | inches (mm) |
| I | Minimum inside width of cavity | 22 1/16" (560) |
| J | Overall width of cabinetry | 23 5/8" (600) |
| K | Minimum inside height of cavity | 17 3/4" (450) |
| L | Overall height of cabinetry | 18 1/8" (460) |
| M | Minimum inside depth of cavity | 22 1/16" (560) |
| N | Ventilation air vent | 2" (50) |

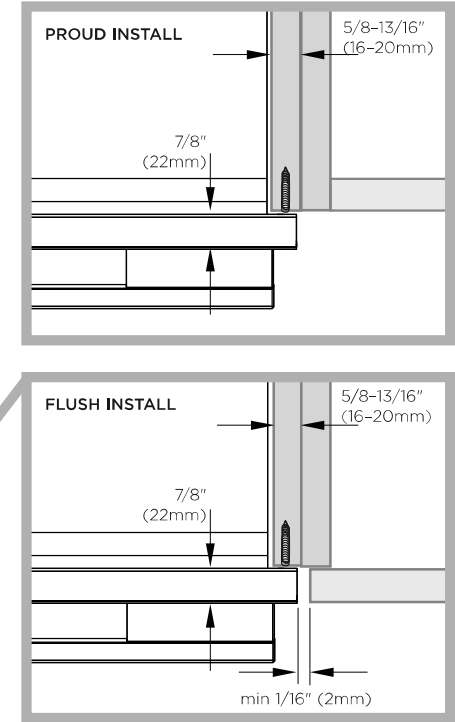
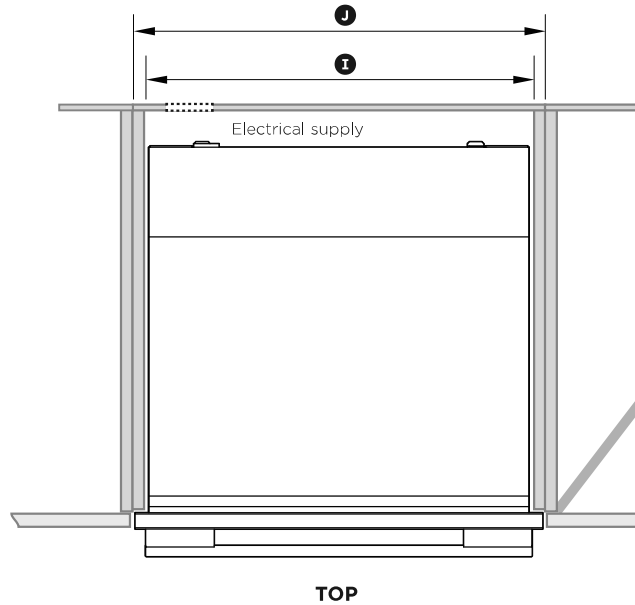
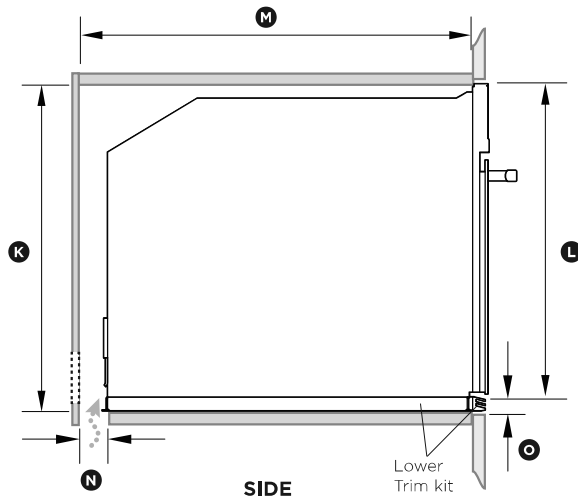
Note: If installing a cooktop above the oven, ensure adequate clearance is provided for the cooktop as per the cooktop manufacturer's instructions.

5 B CABINETY DIMENSIONS (18 7/8" (480mm) CAVITY TRIM KIT)

- The oven must be installed under a cook top, in a column, or combined with the companion warmer drawer.
- The cabinet material must be able to withstand heat.
- The oven must be centred within the walls of the cabinet and fixed with the screws and bushings that are provided.

Lower Trim Kit

The Lower Trim kit shown is available to order separately from fisherpaykel.com. To install the trim kit, refer to the instructions which accompany it.



| CABINETY DIMENSIONS | OM24N MODELS | |
|-----------------------------------|----------------|--|
| | inches (mm) | |
| I Minimum inside width of cavity | 22 1/16" (560) | |
| J Overall width of cabinetry | 23 5/8" (600) | |
| K Minimum inside height of cavity | 18 1/2" (470) | |
| L Overall height of cabinetry | 18 7/8" (480) | |
| M Minimum inside depth of cavity | 22 1/16" (560) | |
| N Ventilation air vent | 2" (50) | |
| O Height of trim kit | 13/16" (20) | |

Note: If installing a cooktop above the oven, ensure adequate clearance is provided for the cooktop as per the cooktop manufacturer's instructions.

6 ELECTRICAL HOOK-UP

Before connecting to the electricity, make sure that the:

- specifications of the electrical system match with what is detailed on this section. (Fig. 1)
- system has an effective ground connection compliant with current standards and laws.

The ground connection is required by law. The cable must not, at any point, reach a temperature greater than 122°F (50°C) above room temperature.

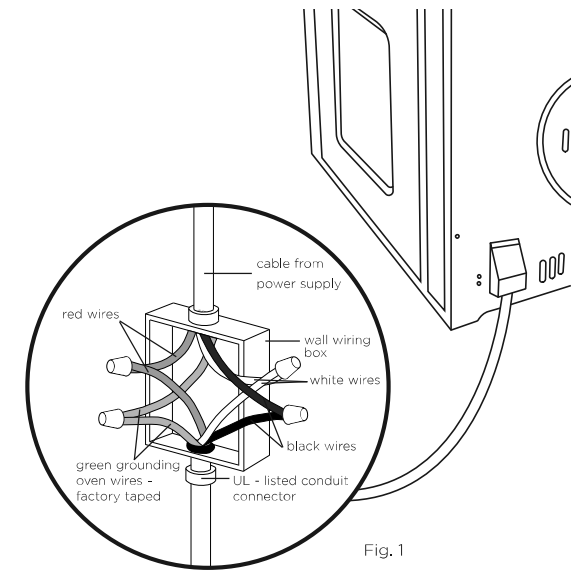
This oven must be connected to the electricity through a power supply cable and plug that is compatible with the outlet of the electrical system that powers this oven. If a fixed appliance does not have a power cord and plug, or another device that ensures disconnection from the mains, with an opening distance of the contacts that allows complete disconnection, such disconnection devices must be provided in the power supply mains conforming to the installation rules. The omnipolar socket or switch must be easy to reach when the appliance is installed.

NOTE: The manufacturer declines all liability if the usual accident prevention standards and the above instructions are not followed.

| MAX POWER (W) | HZ | VOLTAGE (V) | AMPS (A) |
|---------------|-------|-------------|----------|
| 3400 | 60 Hz | 120/240 | 14 |
| 2700 | 60 Hz | 120/208 | 13 |

⚠ WARNING

INSTALL AN OMNIPOLAR SWITCH THAT MAKES TOTAL DISCONNECTION IN OVERVOLTAGE CATEGORY III IN THE FIXED WIRING IN ACCORDANCE WITH THE WIRING RULES.



7 SECURE THE OVEN TO THE CABINETY

- 1 Position the oven in the prepared cavity.

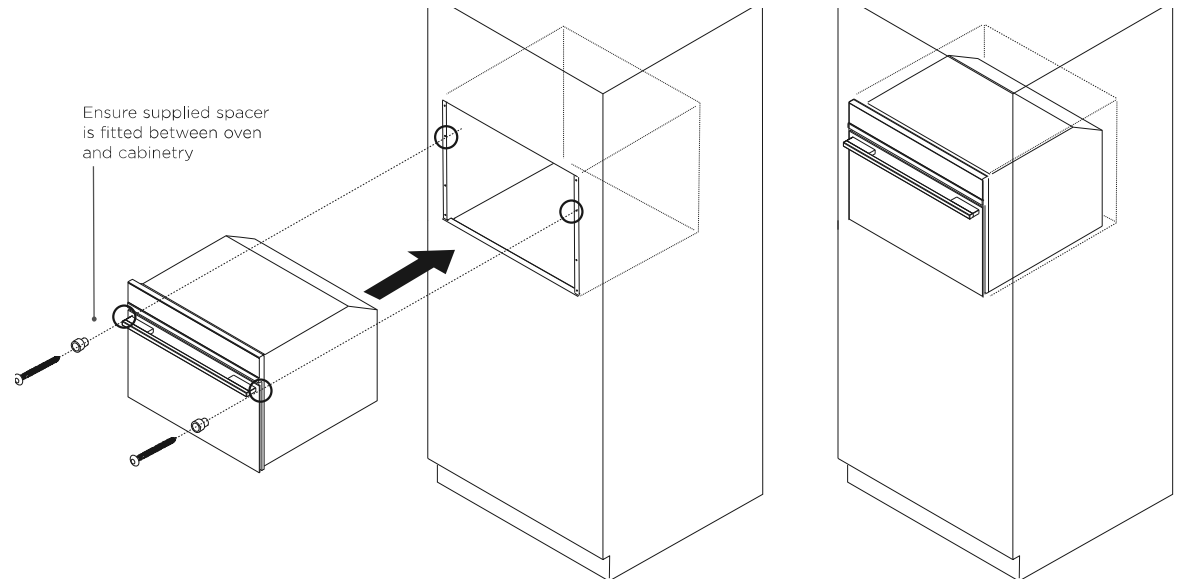
IMPORTANT!

Do not lift the oven by the door handle.

- 2 Use the supplied screws and spacers to secure the oven to the cabinetry.

IMPORTANT!

- Do not over-tighten the screws.
- Take care not to damage the lower trim of the oven.
- Do not seal the oven into the cabinetry with silicone or glue. This makes future servicing difficult. Fisher & Paykel will not cover the costs of removing the oven, or of damage caused by this removal.



8 FINAL CHECKLIST

✓ TO BE COMPLETED BY THE INSTALLER

- Make sure the oven is level and securely fitted to the cabinetry.
- Check the lower trim is undamaged.
- Open the oven door slowly until it is fully open and check there is adequate clearance between the bottom of the door and the lower trim. This is to ensure correct air circulation. Should the lower trim become damaged, straighten the trim and ensure the oven door opens fully without obstruction.
- Make sure any cable ties and internal packaging has been removed from the oven cavity.
- Make sure all oven vents and openings are clear and free of any obstruction or damage.

IMPORTANT!

Failure to make sure all oven vents are clear may result in poor product performance.

- Make sure the isolating switch is accessible by the customer.

TEST OPERATION:

- Have you demonstrated the basic operation to the customer?
Refer to User Guide.

Complete and keep for safe reference:

Model _____
Serial No. _____
Purchase Date _____
Purchaser _____
Dealer Address _____
Installer's Name _____
Installer's Signature _____
Installation Company _____
Installation Date _____

FISHERPAYKEL.COM

© Fisher and Paykel Appliances 2021. All rights reserved.
The appliance specifications in this document apply to the specific appliances and models described at the date of issue. Under our policy of continuous appliance improvement, these specifications may change at any time. You should therefore check with your Dealer to ensure this document correctly describes the appliance currently available.

For current details about model and specification availability in your country, go to our website fisherpaykel.com or contact your local Fisher & Paykel dealer.