



30-INCH MICROWAVE- IN-A-DRAWER

DMR30M977W



30" SPECIFICATIONS:

WIDTH	30"
HEIGHT	15 7/8"
DEPTH	23 1/64"
CAPACITY	1.2 FT ³
POWER	950W

ACCESSORIES

FLUSH INSTALLATION KIT (GRAPHITE STAINLESS)	SKU - ADMRF30M
FLUSH INSTALLATION KIT (STAINLESS STEEL)	SKU - ADMRF30S

Shipping Weight: 121 lbs. (all models)

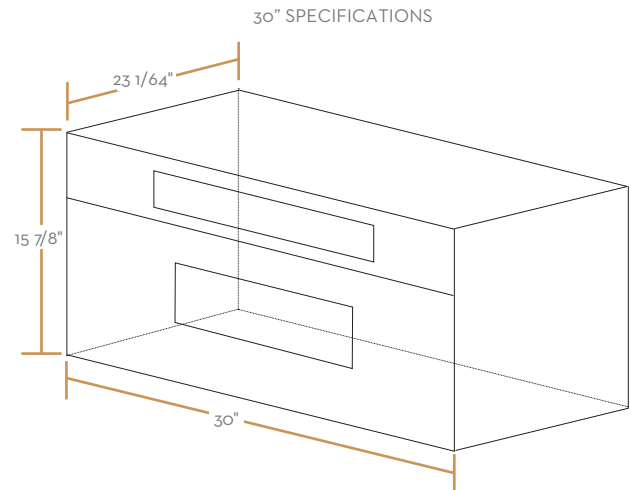
AVAILABLE MODELS

DMR30M977WS 30" Stainless Steel, Contemporary Style Badge

DMR30M977WM 30" Graphite Stainless, Contemporary Style Badge

FEATURES & BENEFITS

- Drawer Configuration
- Automatic Drawer Opening
- Control Lock
- Beverage Center
- Sensor Cooking



dacor

30-INCH MICROWAVE-IN-A-DRAWER

30" STANDARD INSTALLATION DIMENSIONS

30" DRAWER MEASUREMENTS

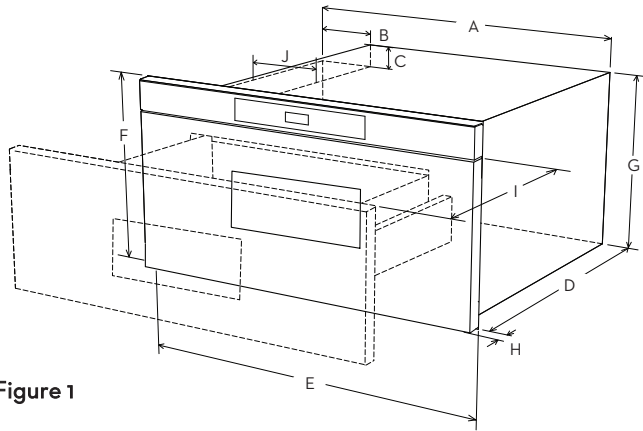


Figure 1

- | | |
|-------------|----------------------------|
| A. 21 5/8" | F. 15 7/8" |
| B. 4 11/16" | G. 14 19/32" |
| C. 1 3/4" | H. 1 9/64" door thickness |
| D. 21 7/8" | I. 15" auto drawer opening |
| E. 30" | J. 4" |

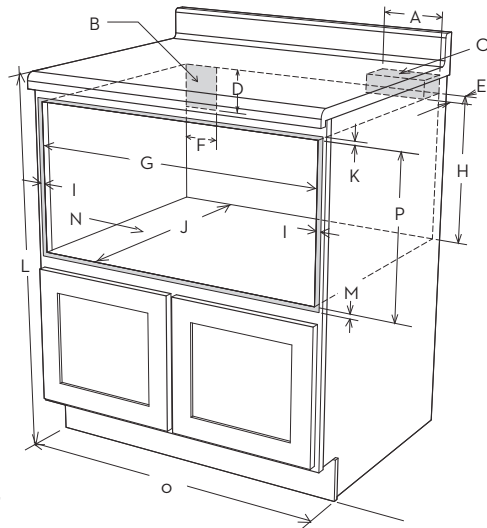


Figure 2

- | | |
|--|---|
| A. 6" | I. Allow 23/32" minimum overlap |
| B. Electrical outlet location | J. 23 1/2" minimum depth |
| C. Anti-tip block | K. Allow 3/16" minimum overlap |
| D. 5" | L. 36" nominal countertop height |
| E. 3 1/2" | M. Allow 1/8" minimum overlap |
| F. 4" | N. Floor must support 100 lbs. |
| G. 28 7/16" | O. *30" cabinet minimum |
| H. 14 13/16" to bottom of anti-tip block | P. 15 9/16" opening |
| | NOTE: Open Top Cabinet illustrated |

Figures 1, 2 and 3 contain the appliance and cutout measurements for reference when planning the drawer's location.

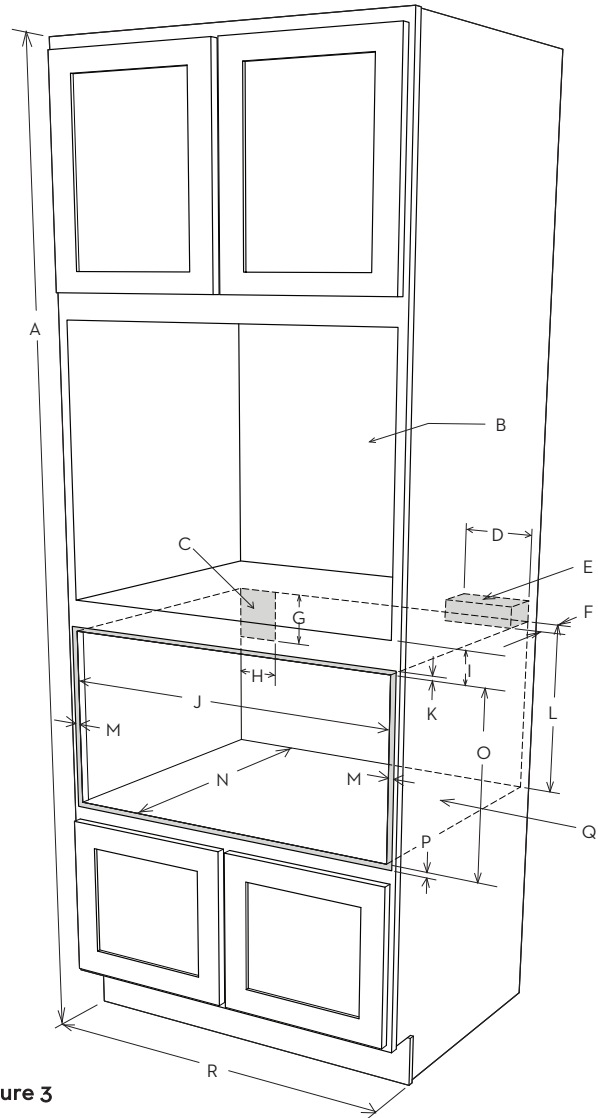


Figure 3

- | | |
|--|--|
| A. 84" nominal wall cabinet | K. Allow 3/16" overlap |
| B. Optional wall oven cutout illustrated in sketch | L. 14 13/16" to bottom of anti-tip block |
| C. Electrical outlet location | M. Allow 23/32" minimum overlap |
| D. 6" | N. 23 1/2" minimum depth |
| E. Anti-tip block | O. 15 9/16" opening |
| F. 3 1/2" | P. Allow 1/8" minimum overlap |
| G. 5" | Q. Floor must support 100 lbs. |
| H. 4" | R. 30" cabinet minimum |
| I. 2" minimum | |
| J. 22 1/8" minimum
28 7/16" maximum | |