



FRIGIDAIRE

Factory Parts Catalog

Product No.	PCWD3080AFA
	Professional
Series	30" double elec
Color	stainless
Market	North America
Wiring Diagram	A22468804
Owner's Guide	A22383505
Installation Instructions	807153708
Service Data Sheet	A24330202
Quick Start Guide	A20354807

Frigidaire

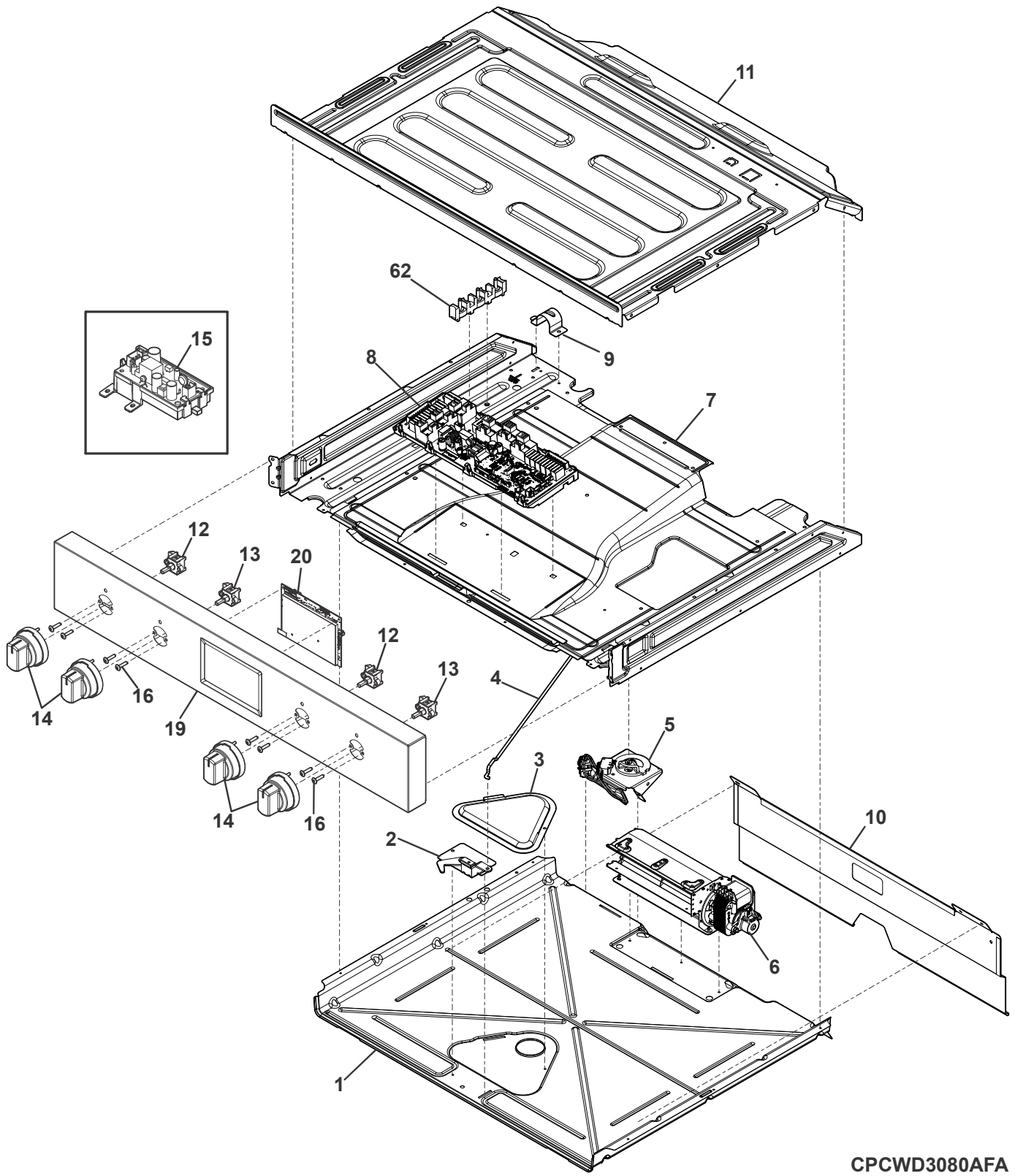
P.O. BOX 8020
CHARLOTTE, NC 28262

Publication No.
5995734364
23/05/11
(EN/SERVICE/ECL)
377

30" DOUBLE ELECTRIC WALL OVEN

Model No.
PCWD3080A

CONTROL PANEL

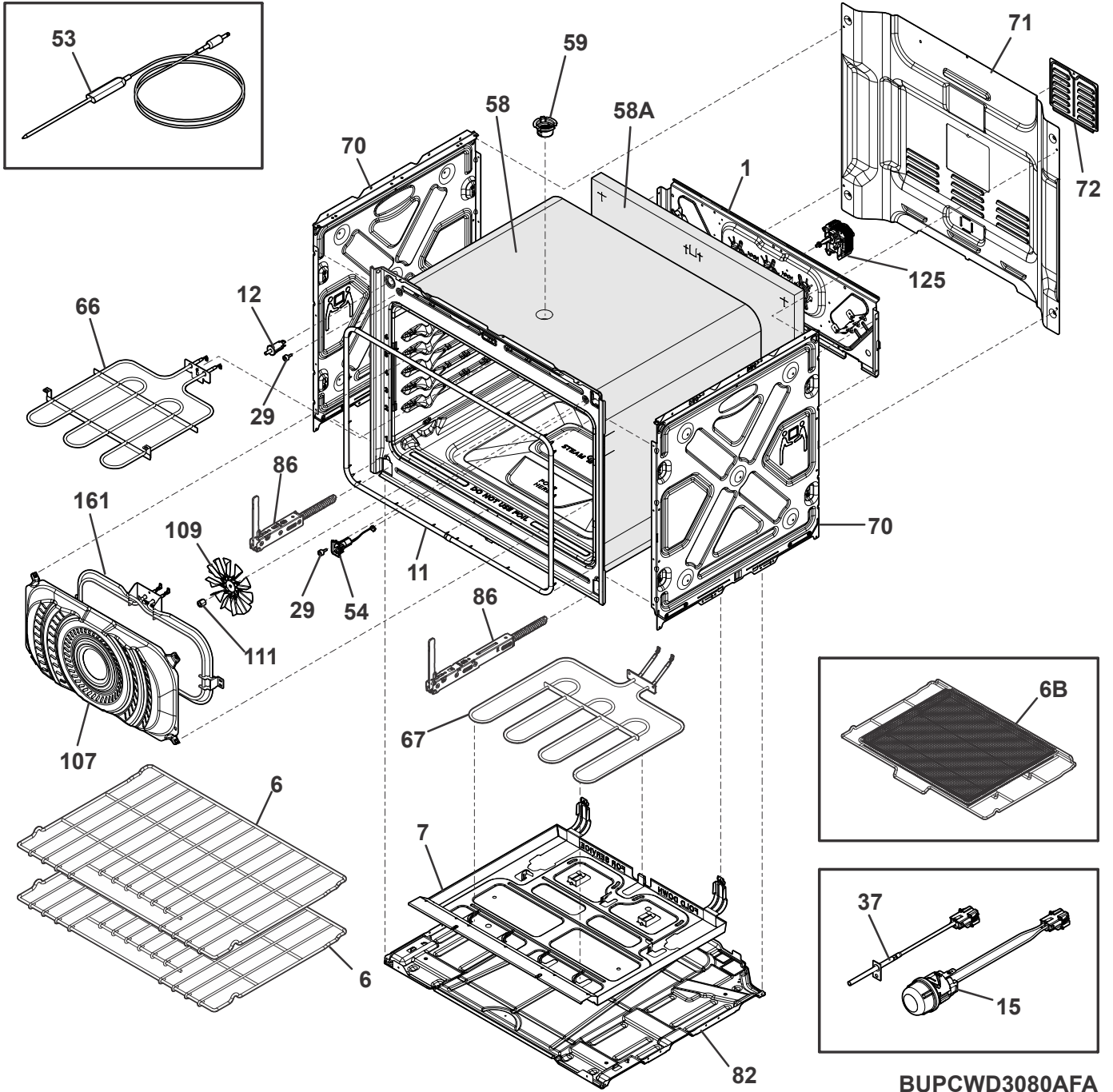


CPCWD3080AFA

CONTROL PANEL

POS. NO	PART NO.	DESCRIPTION
1	5304526320	Shield, bottom duct
2	5304526367	Latch, door
3	5304526366	Cover, vent
4	5304526368	Rod, latch
5 #	5304526552	Motor Assembly, door latch/lock
6 #	5304530368	Blower Assembly
7	5304526538	Carrier Plate, assembly, w/duct
8 #	5304525432	Board Assembly, OVC control, w/bracket
9	5304530364	Bracket, conduit mtg.
10	5304530427	Shield, insulation, rear, upper
11	5304532474	Shield, top cover
12 #	808843109	Potentiometer, temp select, oven
13 #	808843110	Potentiometer, mode select, oven
14	5304532090	Knob, selector, stainless
15 #	5304534050	PC Board, assembly, backlit knobs, w/housing
16	5304528301	Screw, truss, 8-32 x 17.65
19	5304532089	Control Panel, assembly, stainless
20 #	5304534046	Controller, electronic, oven, UI630D
62 #	5304535277	Terminal Block
62*	316001003	Screw, ground wire
62*	316205500	Nut, hex flange, 3/8 10-32
62*	5304528293	Screw, T20, 8-18 x .79
* #	5304535368	Harness, conduit assy, power connect
* #	5304530448	Harness, DS MDL, lower oven, hall effect
* #	5304532094	Harness, wiring, potentiometers
* #	5304532100	Harness, DS MDL, upper oven, hall effect
* #	5304532104	Harness, wiring, OVC, to lower oven
* #	5304532091	Harness Assembly, backlit knobs, w/4 switches
*	387872717	Screw, M4, 2 x 10, black, w/washer
*	5304526232	Screw, T-20 ST, 8-24 x 3/8

UPPER OVEN

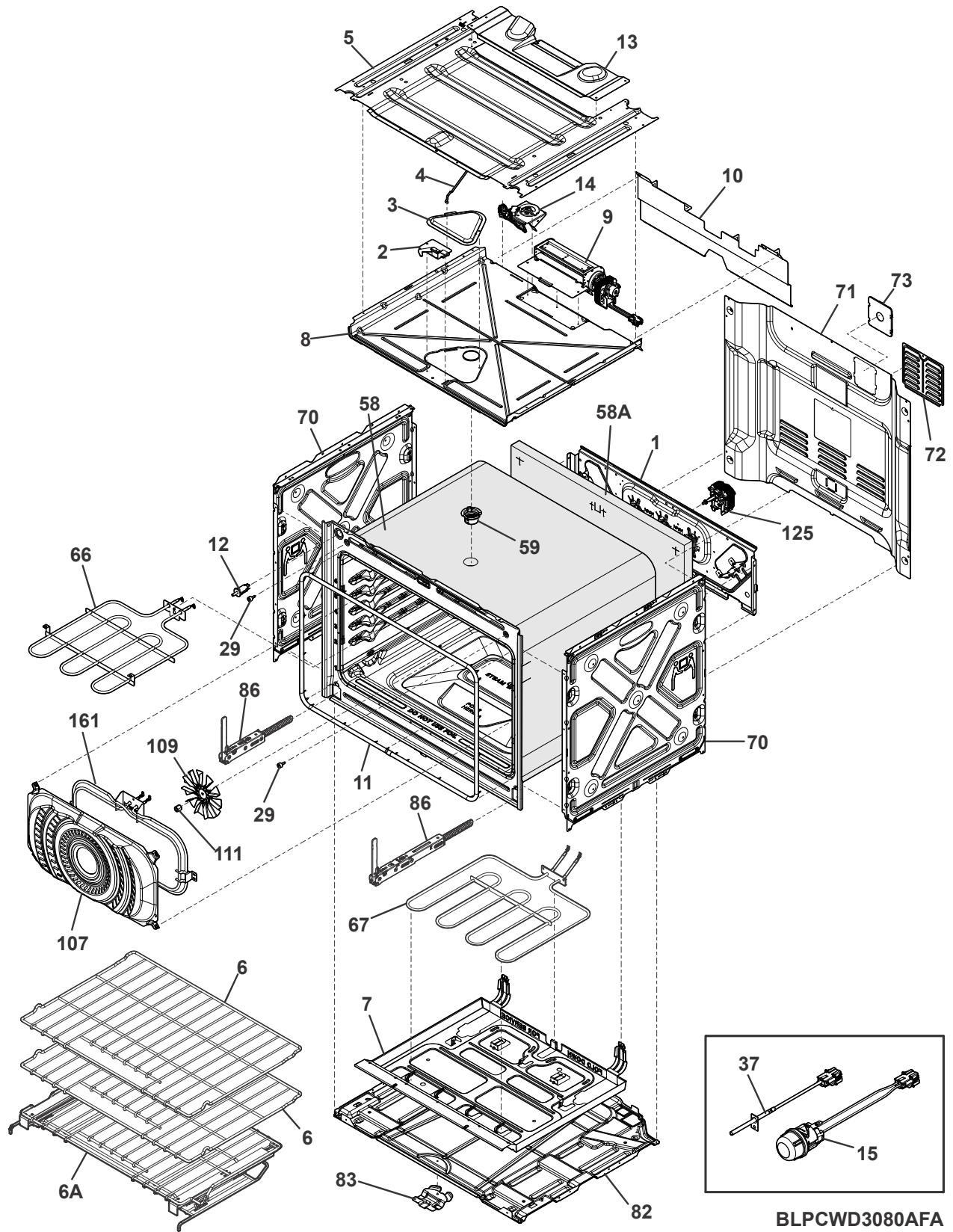


BUPCWD3080AFA

UPPER OVEN

POS. NO	PART NO.	DESCRIPTION
1	5304526336	Panel, rear
6	5304532107	Rack, handled, flat
6B	FRIGPEREAFT	FRIG AIR FRY TRAY PEREGRINE
7	5304528326	Tray, hidden bake
11	5304526242	Seal, oven door, charcoal
12 #	318394802	Switch, light, door
15 #	5304530343	Lamp Assembly, halogen, G9, 40W, 120V
29	316517600	Bumper, front, main
37 #	5304526310	Probe, oven sensor
53 #	807822606	Probe, food, red
54 #	5304532776	Receptacle, meat probe
58	5304530429	Insulation, oven, wrapper
58A	5304530428	Insulation, oven, rear
59	5304526450	Tube, vent catalyst
66 #	5304526370	Element, broil, 6 pass, 4000W, 240V
67 #	5304535239	Element, hidden bake, 8 pass, 67 #, 2500W
70	5304526314	Panel, side, exterior
71	5304526329	Shield, rear wire
72	5304526588	Cover, convection mtr
72*	5304526234	Screw, M4, 2 x 10, sheet metal, black
82	5304530352	Panel, exterior, bottom, upper oven
86	5304530348	Hinge, door, purple
86	5304530349	Hinge, door, purple, 2 spring
86*	5304526532	Screw, M4.2 x 9.5, black
107	5304526365	Cover, fan, midnight black, convection
107*	387872717	Screw, M4, 2 x 10, black, w/washer
109	5304525455	Blade, fan, convection
111	561231207	Nut, fan blade
125#	5304526375	Motor, convection fan
161#	5304526565	Element, convection, 3800W, 240V, rectangular
* #	5304532100	Harness, DS MDL, upper oven, hall effect
* #	5304532103	Harness, wiring, upper oven, main
* #	5304532105	Harness, wiring, upper oven, DS
*	5304530450	Anti Tip, kit
*	387856311	Screw, 4.2 x 10
*	5304526232	Screw, T-20 ST, 8-24 x 3/8
*	5304534695	Screw, self drill, M3.5 x 9.5

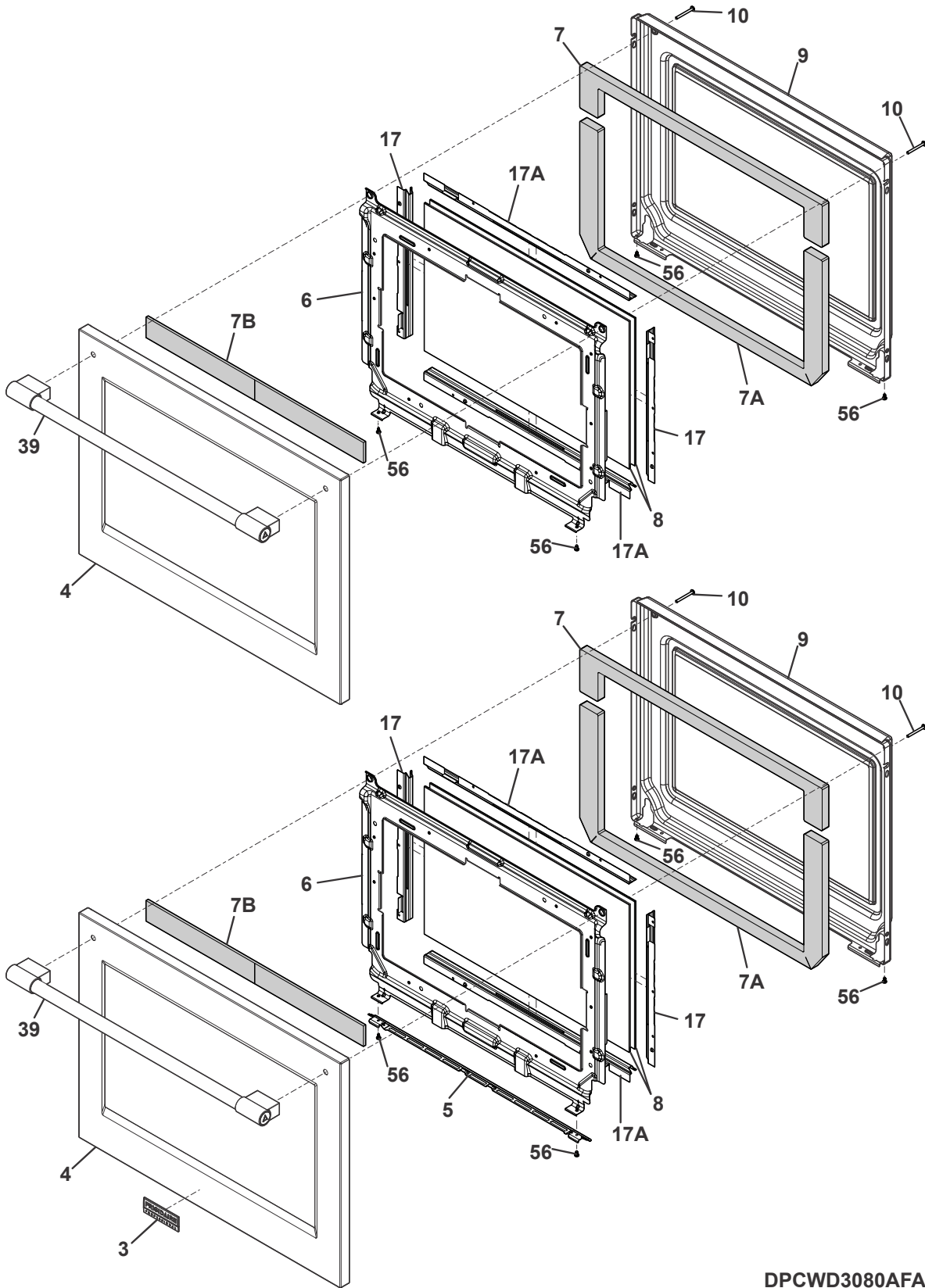
LOWER OVEN



LOWER OVEN

POS. NO	PART NO.	DESCRIPTION
1	5304526336	Panel, rear
2	5304526367	Latch, door
3	5304526366	Cover, vent
4	5304526368	Rod, latch
5	5304526313	Panel, carrier mid, lower DWO, cooling
6	5304532107	Rack, handled, flat
6A	5304530447	Rack Assembly, glide
7	5304528326	Tray, hidden bake
8	5304526320	Shield, bottom duct
9 #	5304530369	Blower Assembly, lower oven
10	5304530426	Shield, insulation, lower oven, DWO
11	5304526242	Seal, oven door, charcoal
12 #	318394802	Switch, light, door
13	5304526495	Shield, baffle, lower DWO, cooling
14 #	5304526552	Motor Assembly, door latch/lock
15 #	5304530343	Lamp Assembly, halogen, G9, 40W, 120V
29	316517600	Bumper, front, main
37 #	5304526310	Probe, oven sensor
58	5304530429	Insulation, oven, wrapper
58A	5304530428	Insulation, oven, rear
59	5304526450	Tube, vent catalyst
66 #	5304526370	Element, broil, 6 pass, 4000W, 240V
67 #	5304535239	Element, hidden bake, 8 pass, 67 #, 2500W
70	5304526314	Panel, side, exterior
71	5304526330	Shield, rear wire, lower DWO
72	5304526588	Cover, convection mtr
72*	5304526234	Screw, M4, 2 x 10, sheet metal, black
73	5304526551	Cover, anti vibration
82	5304526311	Panel, exterior, bottom
83	5304530453	Bracket, base panel, mount
86	5304530348	Hinge, door, purple
86	5304530349	Hinge, door, purple, 2 spring
86*	5304526532	Screw, M4.2 x 9.5, black
107	5304526365	Cover, fan, midnight black, convection
107*	387872717	Screw, M4, 2 x 10, black, w/washer
109	5304525455	Blade, fan, convection
111	561231207	Nut, fan blade
125#	5304526375	Motor, convection fan
161#	5304526565	Element, convection, 3800W, 240V, rectangular
* #	5304535368	Harness, conduit assy, power connect
* #	5304530448	Harness, DS MDL, lower oven, hall effect
* #	5304530449	Harness, wiring, lower oven, door switch
* #	5304530459	Harness, wiring, lower, main
* #	5304532099	Harness, wiring, wall oven, MACS
* #	5304532104	Harness, wiring, OVC, to lower oven
*	5304530450	Anti Tip, kit
*	387856311	Screw, 4.2 x 10
*	5304526232	Screw, T-20 ST, 8-24 x 3/8
*	5304534695	Screw, self drill, M3.5 x 9.5

DOORS



DPCWD3080AFA

DOORS

POS. NO	PART NO.	DESCRIPTION
3	809108704	Badge, Frigidaire Pro
4	5304532097	Door Assembly, outer, steel/glass, stainless
5	5304530443	Bracket, door protection, lower
6	5304526282	Shield, wool, door
7	5304526656	Insulation, door, top
7A	5304526655	Insulation, door, bottom
7B	5304526530	Insulation, foil, door
8	5304526387	Glass, door, inner, SHR, PF
9	5304530464	Liner, oven door, midnight black
10	316433307	Screw, WH SIMS T, 10-14 x 68.34, handle mtg.
17	5304526284	Bracket, glass pack, vertical
17A	5304526285	Bracket, glass pack, horizontal
39	5304530408	Handle, door, stainless
56	5304526234	Screw, M4, 2 x 10, sheet metal, black
*	5304526232	Screw, T-20 ST, 8-24 x 3/8

WIRING DIAGRAM

