



ONCE UPON A TIME...WATER®

KAREO™

BF1979-XXX

3-Piece Deckmount Tub Filler with Handshower and Rough-In

SPECIFICATIONS

Components included

- BF1985-XXX*: 3-Piece deckmount tub filler with handshower - cartridge included without rough-in
- 105195: Rough-in 3-piece deckmount tub filler with handshower and test-cap - Without cartridge

** XXX means that the finish color must be specified.

Colors (Finishes)

- Chrome: BF1979-110
- Matte black: BF1979-160

Certifications

The specified model meets or exceeds the following standards;



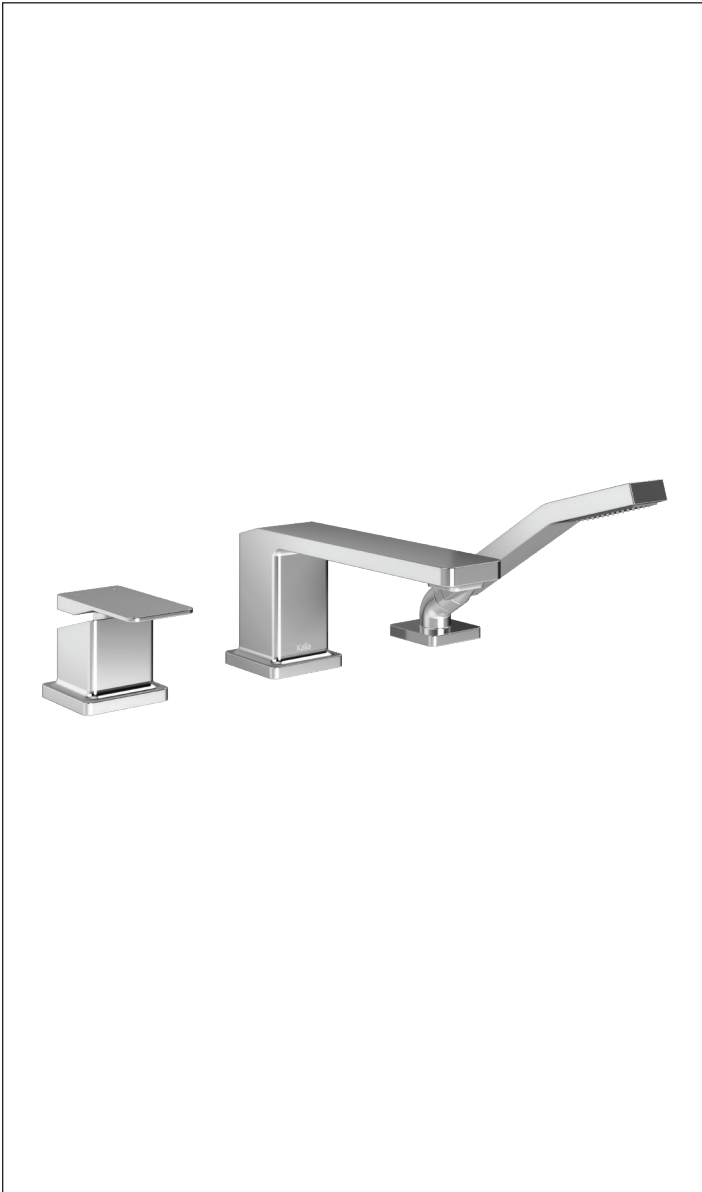
See the following sheets for the technical features of each component.

Installation Notes

This product must be installed following the installation instructions provided.

WARRANTY

Kalia Inc. guarantees all aspects of its products to be free of defects in material and workmanship for normal residential use. **Refer to the warranty included with the Kalia products for details.**



ONCE UPON A TIME...WATER®

1355, 2nd Street, Industrial Park
Sainte-Marie (Québec)
Canada G6E 1G9

T 418-387-9090
1-877-GO-KALIA (1-87- 465-2542)
F 418 387-9089

KaliaStyle.com





ONCE UPON A TIME...WATER®

KAREO™

BF1985 3-Piece Deckmount Tub Filler with Handshower

SPECIFICATIONS

Features

- Solid brass construction
- Integrated check valves
- Flexible 60" hose
- Laminar
- Integrated Diverter
- High flow cartridge with ceramic disc

Colors (Finishes)

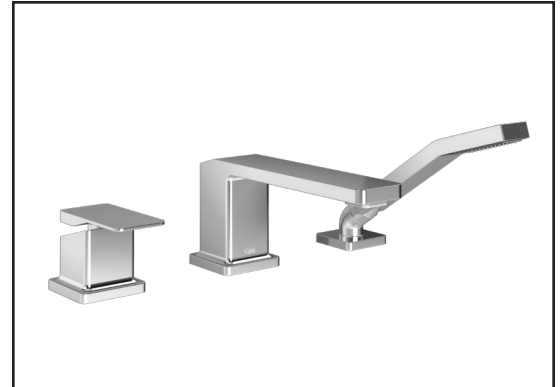
- Chrome: BF1985-110
- Matte black: BF1985-160

Maximum flow rate

- 29.3 L/min (7.75 gpm) at 60 psi

Certifications

The specified model meets or exceeds the following standards:



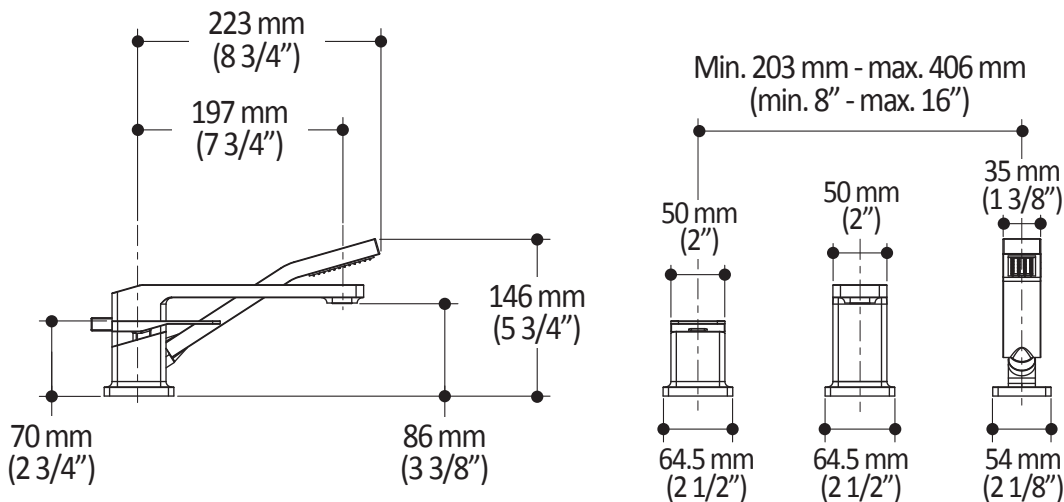
Installation Notes

This product must be installed following the installation instructions provided.

WARRANTY

Kalia Inc. guarantees all aspects of its products to be free of defects in material and workmanship for normal residential use. **Refer to the warranty included with the Kalia products for details.**

Product dimensions:



105195 required

Important: Dimensions are approximated and are subject to changes. Please refer to the installation instructions.



ONCE UPON A TIME...WATER®

1355, 2nd Street, Industrial Park
Sainte-Marie (Québec)
Canada G6E 1G9

T 418-387-9090
1-877-GO-KALIA (1-87- 465-2542)
F 418 387-9089

KaliaStyle.com





ONCE UPON A TIME...WATER®

105195

Rough-in 3-piece deckmount tub filler with handshower and test-cap – without cartridge

SPECIFICATIONS

Caractéristiques

- Solid brass construction
- Male water inlet 1/2 NPT
- Equipped with test-caps
- Flexible 60" handshower hose
- For faucet with standard cartridge or faucet with pressure balance cartridge

Certifications

The specified model meets or exceeds the following standards;



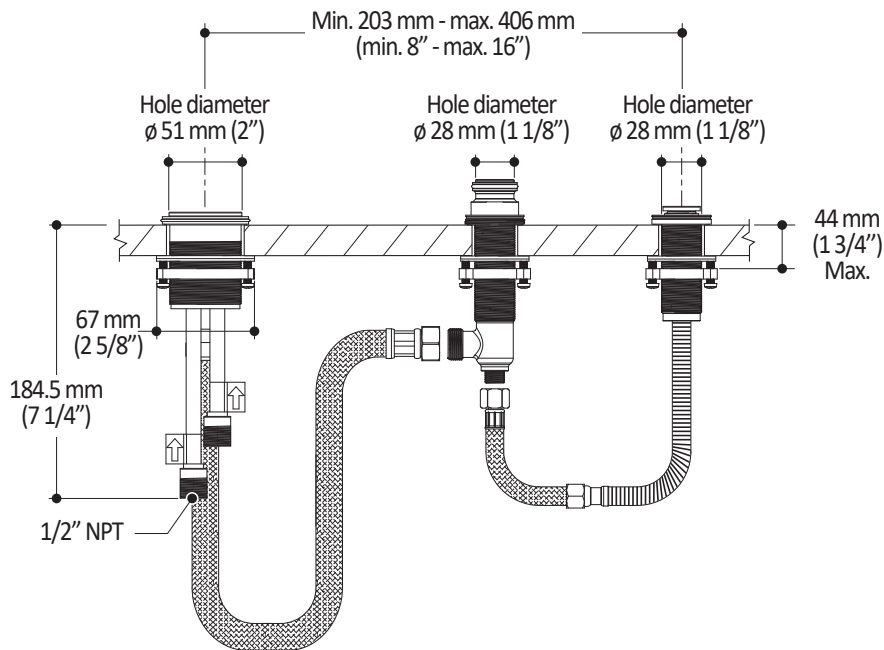
Installation Notes

This product must be installed following the installation instructions provided.

WARRANTY

Kalia Inc. guarantees all aspects of its products to be free of defects in material and workmanship for normal residential use. **Refer to the warranty included with the Kalia products for details.**

Product dimensions:



Important: Dimensions are approximated and are subject to changes. Please refer to the installation instructions.



ONCE UPON A TIME...WATER®

1355, 2nd Street, Industrial Park
Sainte-Marie (Québec)
Canada G6E 1G9

T 418-387-9090
1-877-GO-KALIA (1-87- 465-2542)
F 418 387-9089

KaliaStyle.com

