

Bed
Lit
Cama



Get ready for assembly!
Préparez-vous à l'assemblage!

Prepararse para el montaje!

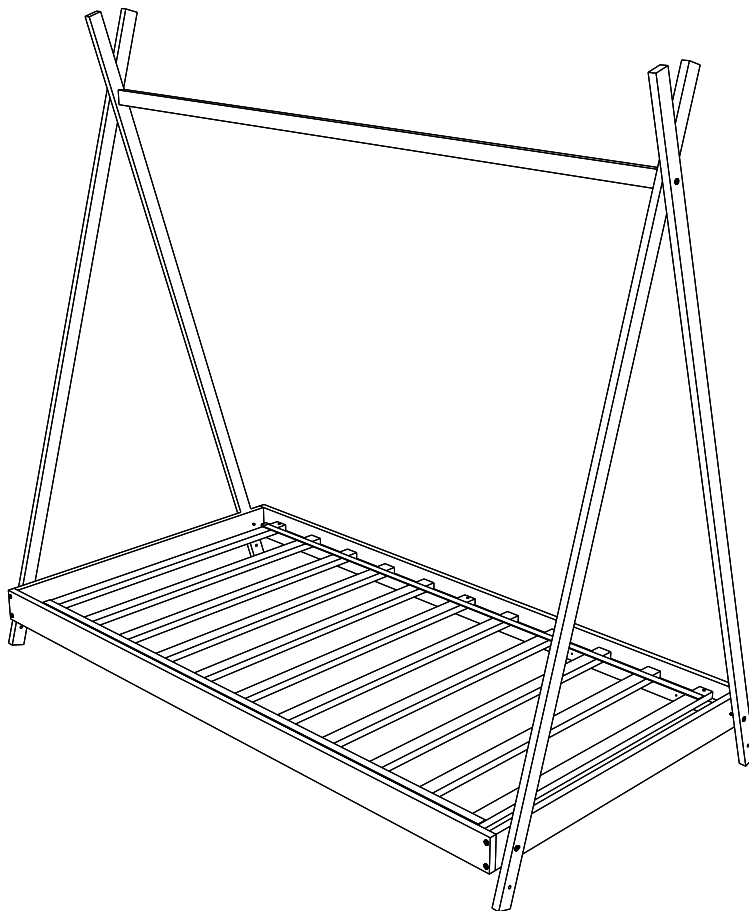
You need assembly support or
replacement parts for your product?

Vous avez besoin de support à l'assemblage ou
de pièces de remplacement pour votre produit?

¿Necesita soporte de montaje o piezas
de repuesto para su producto?



Contact our customer
support heroes
Contactez nos héros au
service à la clientèle
Contacte a nuestros héroes
de servicio al cliente



Call us
Appelez-nous
llámenos

USA & Canada : 1-800-290-0465
Mexico : 001-800-514-5320
o al 800-522-6796



Send an Email at
Envoyez-nous un courriel au
Envianos un email al

service@southshorefurniture.com

South  Shore

southshorefurniture.com

Production Code / Code de production /Codigo produccion _____

**

** This number should be kept for all service request. / Ce numéro devra être conservé pour toute demande de service. / Conserve este número para cualquier solicitud de servicio.

ASSEMBLY INSTRUCTIONS #10039589

INSTRUCTIONS D'ASSEMBLAGE / INSTRUCTIVO DE ARMADO

A customer service available 7 days a week to answer all your needs

South Shore is a family company based in Quebec. We design our own pieces, and make them in house, so we're never far away when you call us with a question or concern. Our team is in constant contact with our design, production and distribution teams, making it easy to find answers for you — whether it's a five-minute call or an hour-long tutorial on how to assemble a storage unit. When we put so much time into crafting our pieces, why would we put a limit on support?

Servicio al cliente disponible los 7 días de la semana para satisfacer todas sus necesidades.

South Shore es una empresa familiar con sede en Quebec. Diseñamos nuestras propias piezas. El poder estar en constante contacto con nuestro equipo de diseño, de producción y de distribución, nos permite conseguir respuestas a todas sus preguntas, ya sea por una simple llamada de cinco minutos o incluso por un tutorial de una hora para ayudarlo a ensamblar sus muebles. Destinamos tanto tiempo a la creación de nuestros productos, que sería una locura limitar nuestro apoyo y nuestro servicio.

Un service client disponible 7 jours sur 7 pour répondre à tous vos besoins

South Shore est une entreprise familiale basée à Québec. On conçoit nos propres produits. Constamment en contact avec nos équipes de conception, de production et de distribution, c'est facile pour nous d'obtenir les réponses à vos questions — que ce soit pour un simple appel de cinq minutes ou encore pour un tutoriel d'une heure afin de vous aider à assembler votre meuble. On consacre tellement de temps à la création de nos produits, ce serait fou de limiter notre accompagnement et notre service!



**For any question
Pour toute question**
Para cualquier duda



**Call us
Appelez-nous
llámenos**
USA & Canada : 1-800-290-0465
Mexico : 001-800-514-5320
o al 800-522-6796



**Send an Email at
Envoyez-nous un courriel au**
Envianos un email al

service@southshorefurniture.com

WARRANTY / GARANTIE / GARANTÍA

5-year Warranty on furniture manufactured by South Shore and 1 year warranty on other furniture and décor accesories distributed by South Shore Furniture.

Our furniture is like family to us. And we never turn our back on family.

Our commitment to our furniture -- and to you -- doesn't end the minute you've purchased the piece. We offer a 5-year warranty on all of our manufactured furniture pieces.

Register your products online!

It will only take a few minutes to fill out this form and register your products; but in the end it will be easier for us to help you in the event you need a replacement part and you lost your assembly guide or production code.

www.southshorefurniture.com/register-your-products

1.South Shore™ Furniture provides the original buyer with a warranty covering "defects" on furniture parts and workmanship for a period of 5 years from the date or purchase for products manufactured by South Shore. We offer a 1-year warranty from the date of purchase to the original buyer on the products and decor accessories identified and presented with this warranty. The 1-year warranty covers defects on parts and workmanship.

2.The word "defect" as used in this warranty is defined as any imperfection that may impair the use of the product for which it was intended.

3.This warranty is strictly limited to the repair or replacement of defective components and parts. This warranty excludes all other direct or indirect charges and expenses according to the limit permitted by law in your state/province.

4.In the event South Shore Furniture can not replace a part its responsibility can not exceed the value or cost of production of that part or the replacement retail value of the defective item, the choice is up to South Shore.

5.This warranty only applies under conditions of normal domestic use. It does not cover defects resulting from intentional damage, negligence, abuse, commercial use, product modification, accidents, exposure to the elements, or maintenance that does not comply with the guidelines in the assembly guide.

6.When applying this warranty South Shore Furniture reserves the right to ask for the proof of purchase of the original buyer.

7.This warranty is only valid on purchases made at authorized South Shore™ Furniture retailers in Canada, the U.S.A and Mexico.

The warranties offered by South Shore Furniture do not apply to the products of our partners on the Local showcase section of the web site ; each of those partners/ manufacturers sell its products on our web platform but offer its own warranty and details can be found on the product page of applicable products.

10-year Warranty on South Shore Workplace products BIFMA tested and 5-year / 2-year on height-adjustable working tables

1.South Shore™ Furniture provides the original buyer with a warranty covering "defects" on furniture parts and workmanship for a period of 10 years from the date or purchase for South Shore Workplace BIFMA tested products.

2.South Shore™ Furniture provides the original buyer of a height-adjustable table with a 5-year warranty from the date of purchase on the structure elements and a 2-year warranty on the electronic components. This warranty covers defects on parts and workmanship.

3.The word "defect" as used in this warranty is defined as any imperfection that may impair the use of the product for which it was intended.

4.This warranty is strictly limited to the repair or replacement of detective components and parts. This warranty excludes all other direct or indirect charges and expenses according to the limit permitted by law in your state/province.

5.In the event South Shore Furniture can not replace a part its responsibility can not exceed the value or cost of production of that part or the replacement retail value of the defective item, the choice is up to South Shore.

6.This warranty only applies under conditions of normal use. It does not cover defects resulting from intentional damage, negligence, abuse, product modification, accidents, exposure to the elements, or maintenance that does not comply with the guidelines in the assembly guide.

7.When applying this warranty South Shore Furniture reserves the right to ask for the proof of purchase of the original buyer.

8.This warranty is only valid on purchases made at authorized South Shore Furniture retailers in Canada, the U.S.A. and Mexico.

30-day return policy on décor accessories

If you are not completely satisfied with a non-furniture item you purchased, please contact us within 30 days of delivery to arrange for the exchange of, or a refund on, your unused item. We will send a courier over to take the item from your home. You will be charged a return shipping fee equal to 15% of the cost of the items returned. South Shore Furniture reserves the right to refuse a return or an exchange if any condition is not met.

We do not accept:

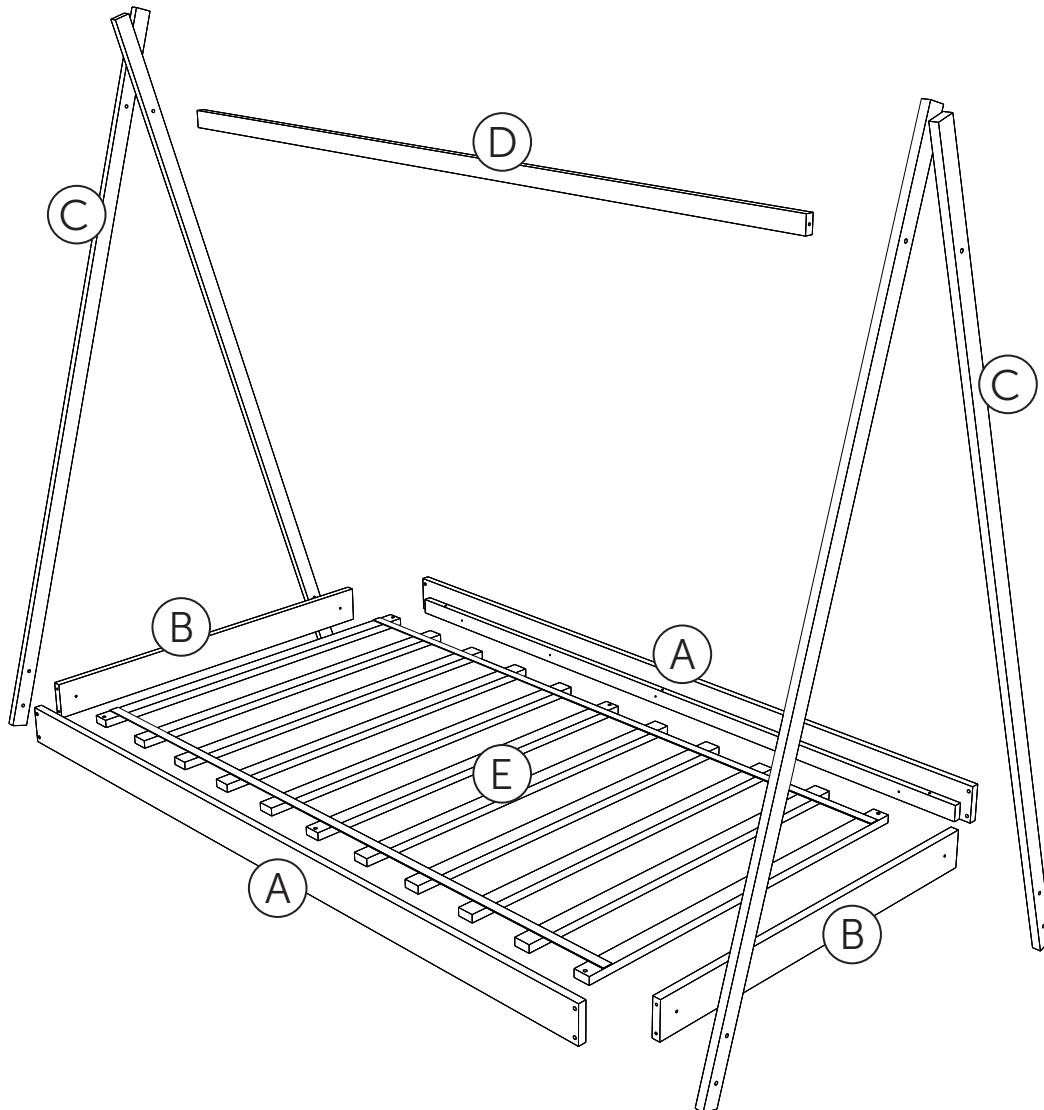
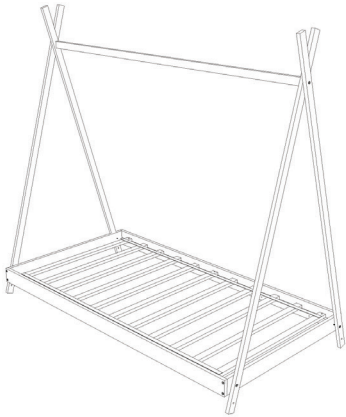
Returns unless the item is unused and in its original packaging.

Returns or exchanges on bedding (comforters, duvet covers, coverlets, bedsheets, pillows, duvets, and crib sets) that has been opened or used, or on any product that has been modified, altered or washed.

Returns on any mattress or stuffed/upholstered products without their legal label.

1

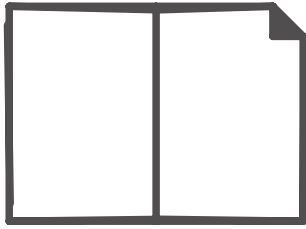
Collect the pieces together
Rassembler les morceaux ensemble
Poner las piezas juntas



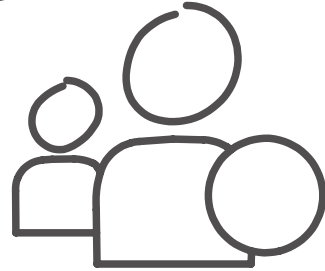
2

Let's get handy!
Mettons-nous au travail!
¡Vamos a ponernos prácticos!

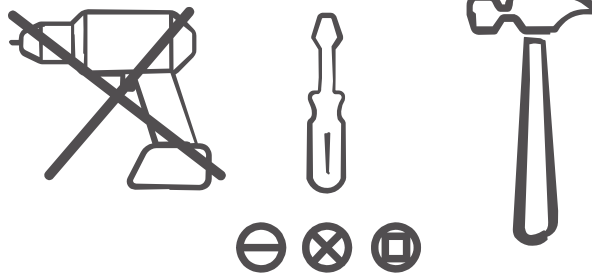
01



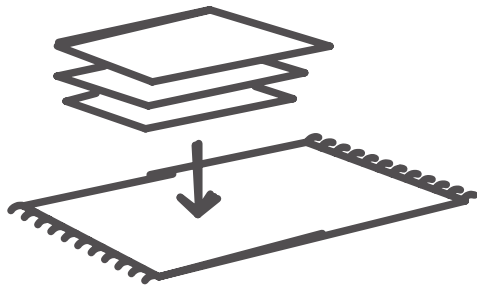
02



03



04



05

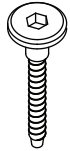


3

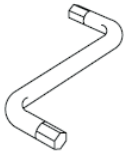
Collect the Hardware Rassembler la quincaillerie Reunir los articulos de ferreteria



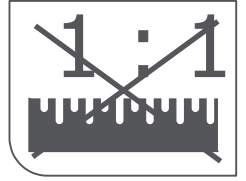
50 mm (x18)



70 mm (x2)



(x1)

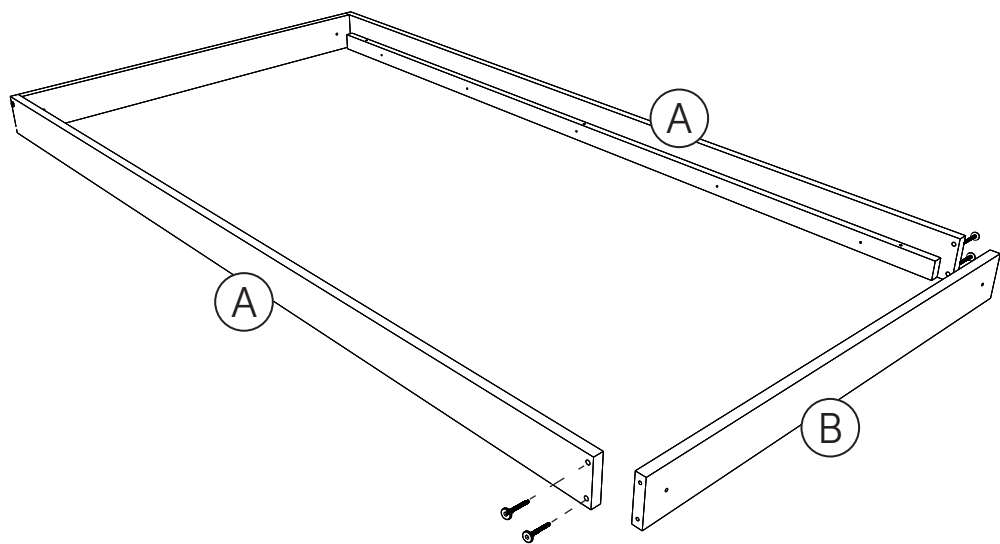
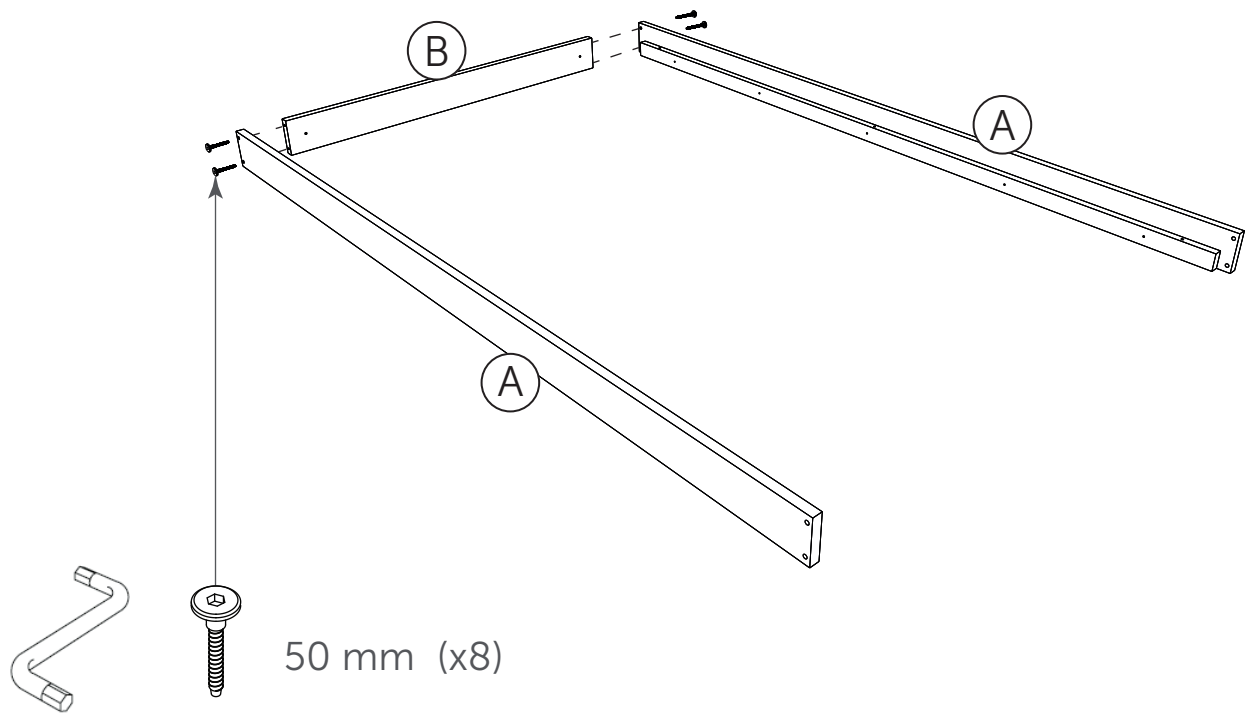


*Hardware package may have spare parts.

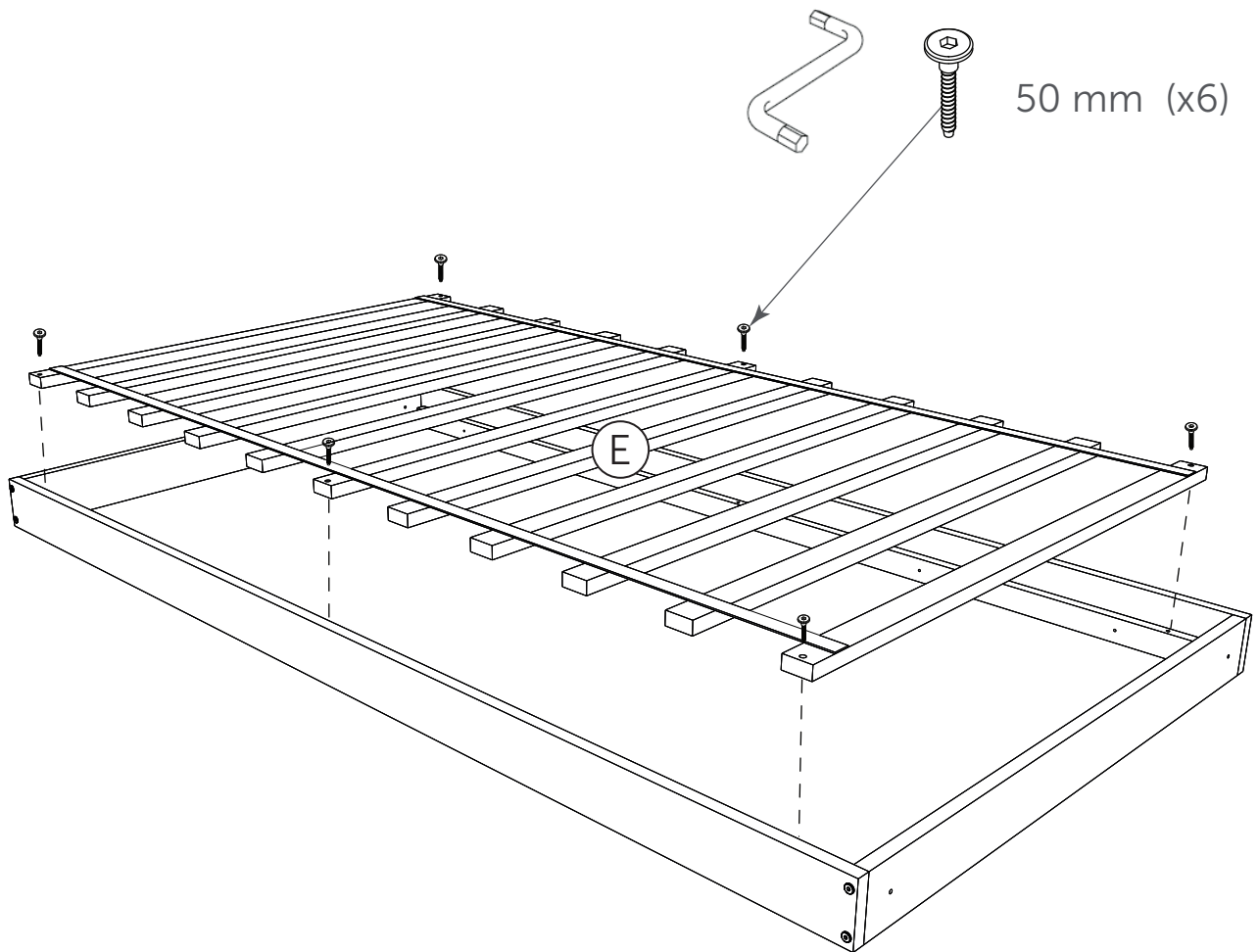
*Le sac de quincaillerie peut contenir des pièces de remplacement.

*La bolsa de herraje puede contener piezas adicionales de repuesto.

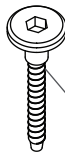
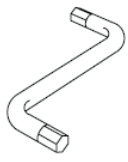
4



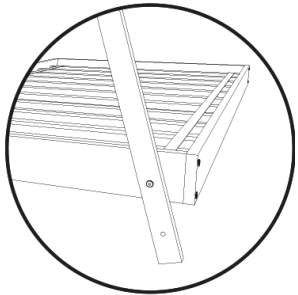
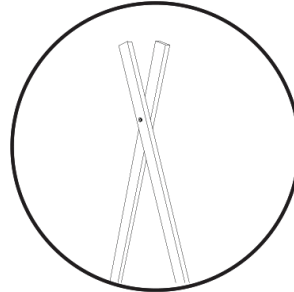
5



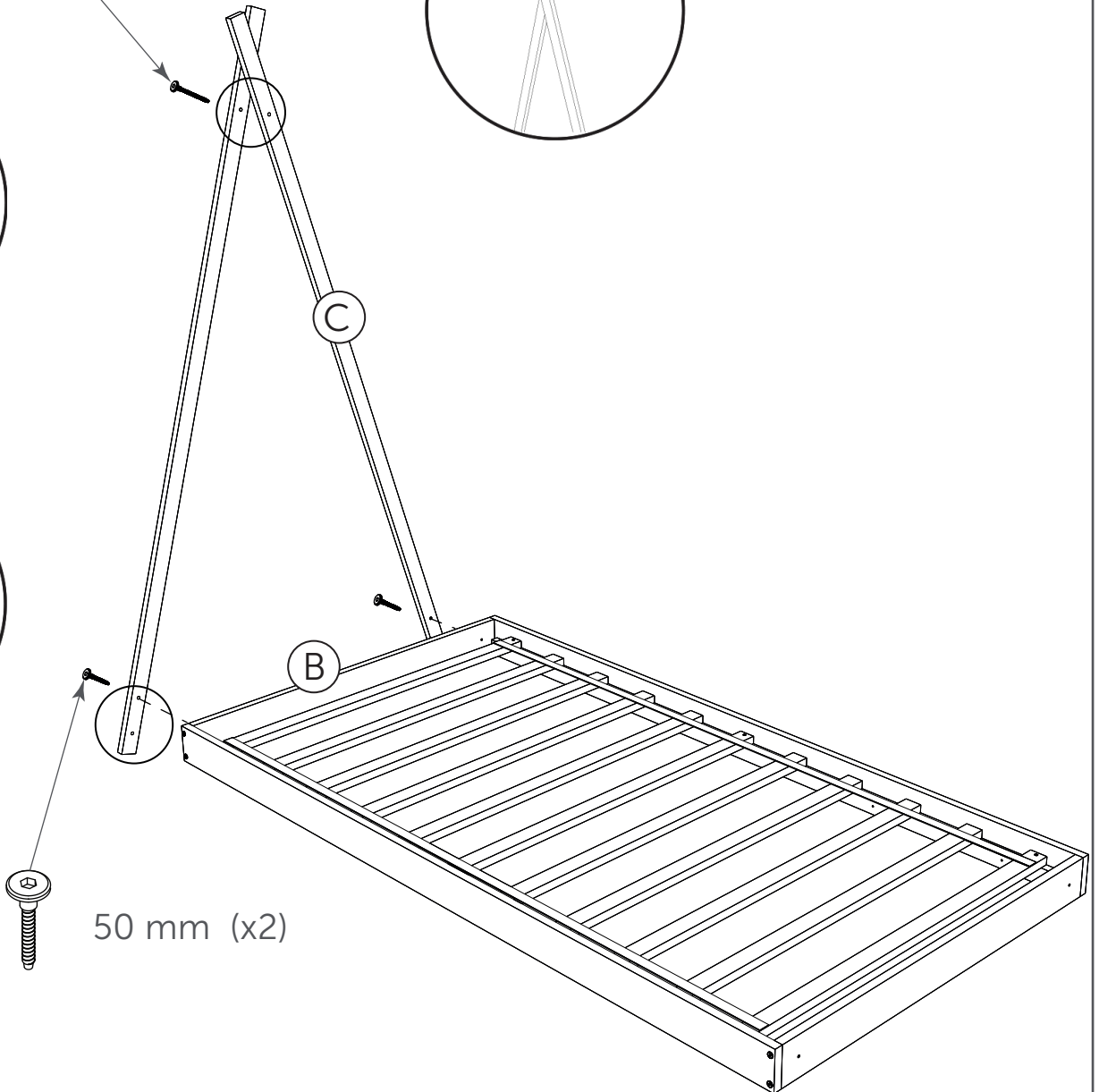
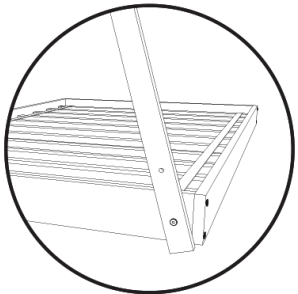
6



70 mm (x1)

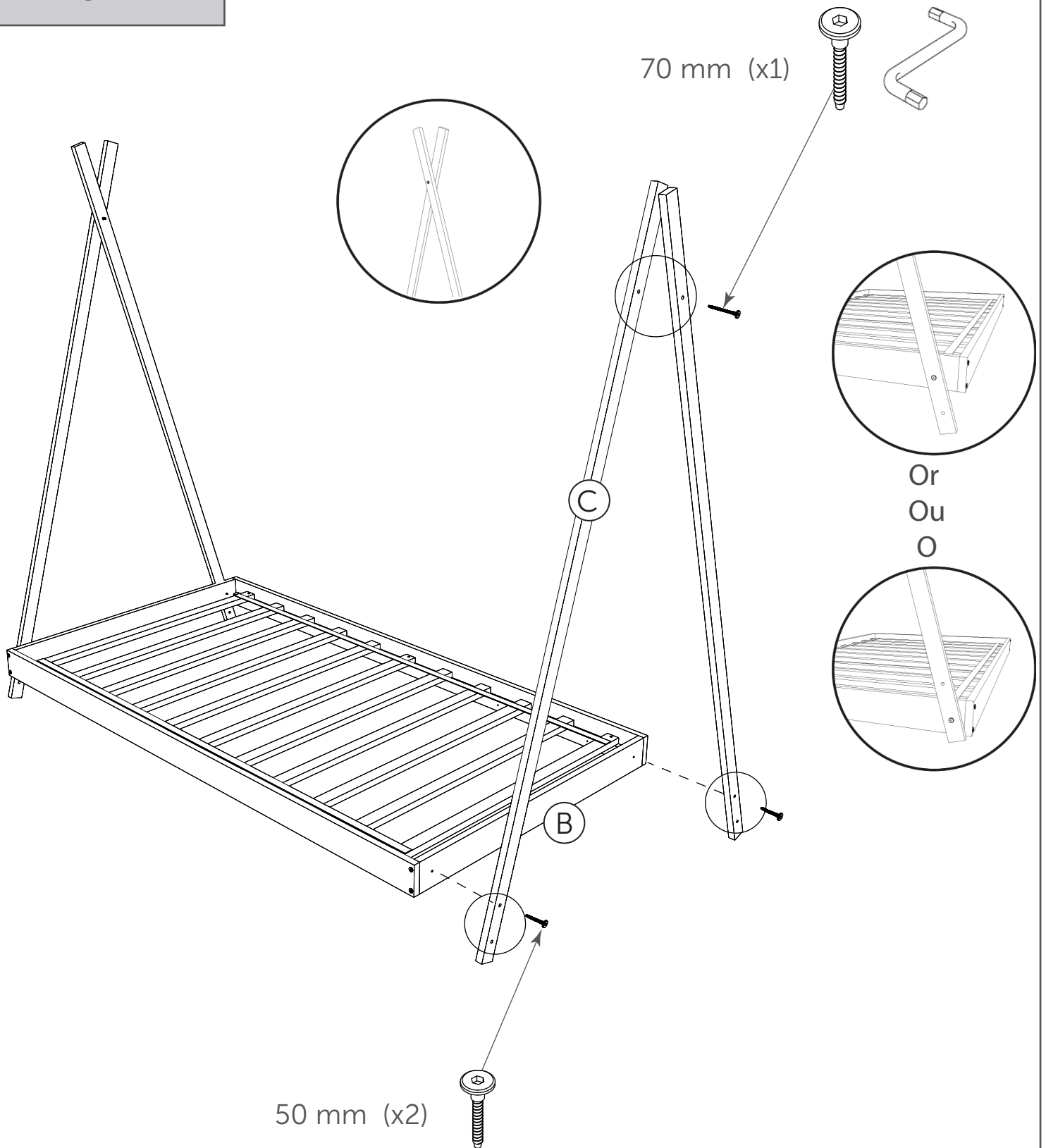


Or
Ou
O

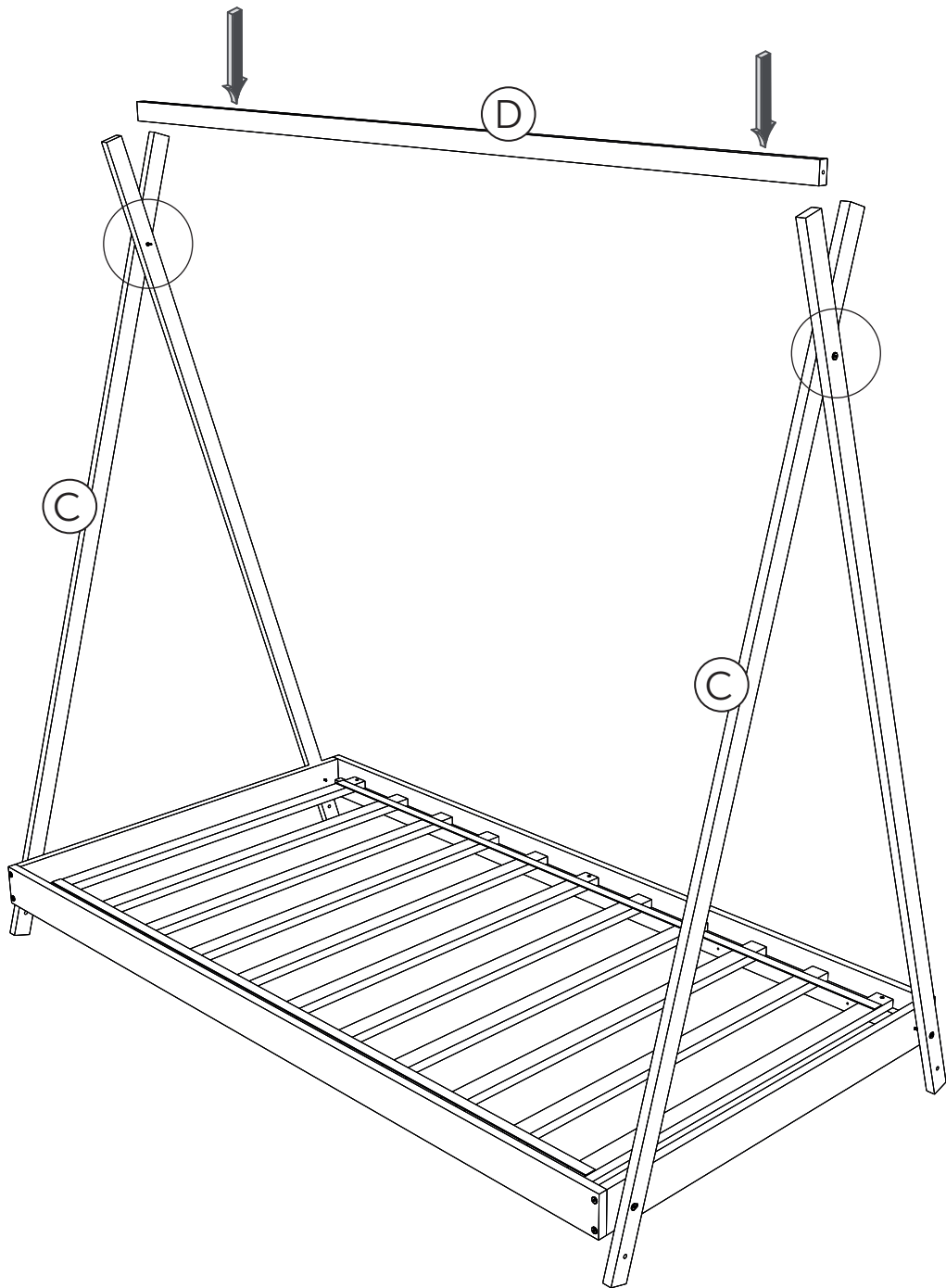


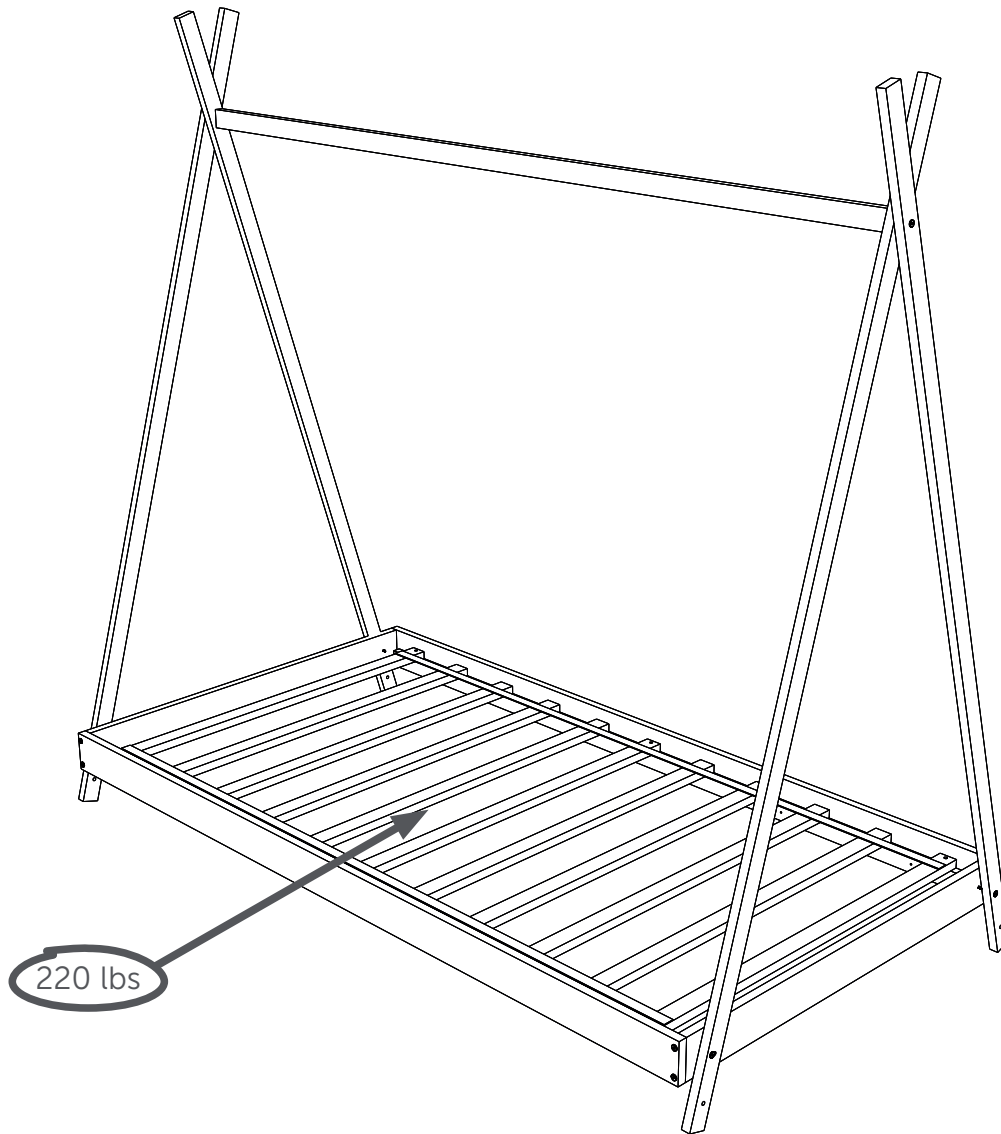
50 mm (x2)

7



8





This South Shore Industries product is designed to withstand the weight indicated on the plan. We are not responsible for the breakage of parts or any injury caused by the failure to comply with this recommendation.

Ce produit de Meubles South Shore a été conçu pour résister aux poids mentionnés ci-contre. Nous ne sommes pas responsable du bris des pièces ou de toute blessure occasionnée par le non-respect de cette recommandation.

Este producto las Industrias South Shore ha sido concebido para resistir el peso que se menciona aquí. No somos responsables del daño de piezas o cualquier otra lesión ocasionada por el no respeto de esta recomendación.

MAINTENANCE TIPS

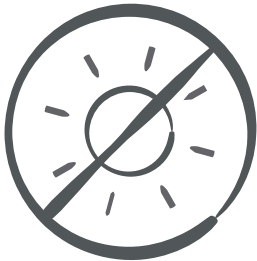
CONSEIL D'ENTRETIEN / CONSEJOS DE MANTENIMIENTO



Never let liquids or damp cloths sit on this furniture.
Ne jamais laisser de liquide ou linge humide sur le meuble.
Nunca deje un líquido o un trapo húmedo sobre el mueble.



Never use chemical cleaning products. They can damage the finish. For cleaning, use only a slightly damp cloth and wipe dry.
Ne jamais utiliser de produits nettoyants à base de produits chimiques, cela va endommager le fini. Utiliser seulement un linge légèrement humide.
Nunca utilice limpiadores a base de químicos, estos dañaran le acabado. Us e sólo un paño húmedo.



To avoid dulling of the finish, do not place furniture in direct sunlight.
Ne pas placer le meuble directement au soleil pour prévenir le ternissement.
No exponga el mueble directamente al sol para prevenir empañamiento.



Do not put plastic or rubber rings under appliances.
Use cloth of felt protectors.
Évitez de déposer des appareils avec des rondelles de plastique ou de caoutchouc. Utilisez un protecteur en tissu ou en feutre.
Evite apoyar aparatos con redondeles de plástico o de goma. Utilizar un protector de tela o de fieltro.



To clean, use a soft or slightly damp cloth, then wipe with a clean, dry cloth.
Pour nettoyer, utilisez un linge doux ou légèrement humecté. Essayez par la suite avec un linge propre et sec.
Para limpiar, utilice un trapo suave o ligeramente humedecido. Seque luego con un trapo limpio y seco.

You're our inspiration and we hearing from you!

Give us a call if you want to discuss a project. Or hop over to our social media platforms and share your design stories.

The door is always open.

#southshorehome   

Take a look at our website: we have tons of ideas to go with your new piece of furniture!

www.southshorefurniture.com

Want to take sneak peek at new arrivals and get some useful tips?
Subscribe to our newsletter!

Vous êtes notre inspiration et nous recevoir de vos nouvelles!

Appelez-nous si vous voulez discuter d'un projet ou rejoignez nos médias sociaux pour partager vos histoires de design.

Notre porte est toujours ouverte.

#southshorehome   

Jetez un coup d'oeil à notre site internet. Nous avons des tonnes d'idées pour votre nouveau meuble !

www.southshorefurniture.com

Vous voulez avoir un aperçu de nos nouveaux arrivages et obtenir des conseils pratiques?
Inscrivez-vous à notre infolettre!

Usted es nuestra inspiración y nos tener noticias de usted.

Llámenos si desea discutir de su proyecto o síganos en nuestras redes sociales y comparta sus historias de diseño.

La puerta siempre está abierta para usted.

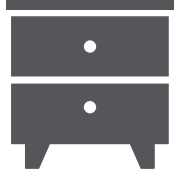
#southshorehome   

¡ Lo invitamos a echar un vistazo en nuestro sitio web, tenemos toneladas de ideas para su nuevo mueble !

www.southshorefurniture.com

¿ Quiere echar un vistazo a nuestras novedades y consejos prácticos ?
Suscribase a nuestro boletín.

Make room for what matters

South  *Shore*

Place à la vraie vie

southshorefurniture.com