

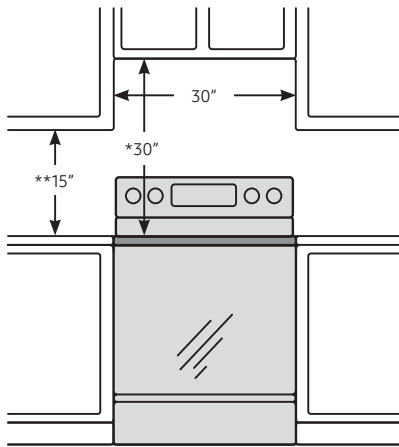
NE63A611SS

SAMSUNG

6.3 cu. ft. Freestanding Electric Range

Installation Specifications

IMPORTANT: To eliminate the risk of burns or fire caused by reaching over heated surface units, avoid having cabinet storage space located above the surface units. If you have cabinet storage space over the heating elements, you can reduce the risk by installing a range hood that projects horizontally a minimum of 5 inches beyond the bottom of the cabinets.

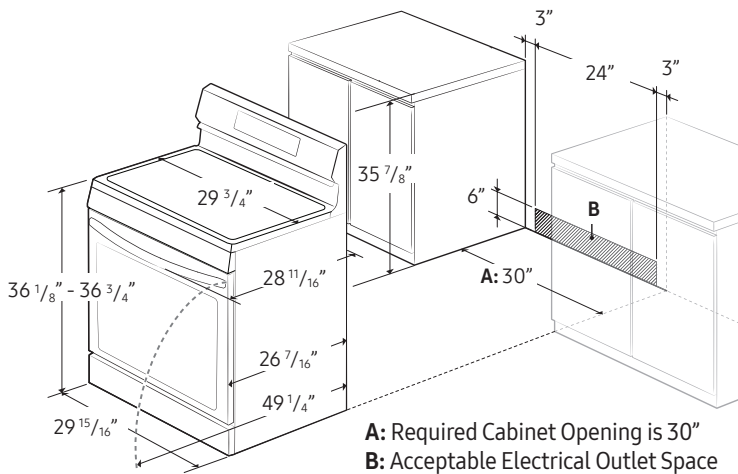


* A minimum of 30" is required between the top of the cooking surface and the bottom of an unprotected wood or metal cabinet; a minimum of 24" is required if the bottom of the wood or metal cabinet is protected by not less than 1/4" of flame retardant millboard covered with not less than no.28 MSG of sheet steel, 0.015" of stainless steel, 0.024" of aluminum, or 0.020" of copper.

** A minimum of 15" is required between the countertop and the adjacent cabinet bottom.

Dimensions

CAUTION: This range has been designed to comply with the maximum allowable wood cabinet temperature of 194 °F (90 °C). Make sure the wall covering, countertops, and cabinets around the range can withstand the heat (up to 194 °F [90 °C]) generated by the range. If not, discolouration, delamination, or melting may occur.



A: Required Cabinet Opening is 30"
B: Acceptable Electrical Outlet Space

Radiant Ceramic Cooktop

Right Front: 6"/9" Dual Element, 3300W

Left Front: 6"/9" Dual Element, 3300W

Right Rear: 6" Element, 1200W

Left Rear: 6" Element, 1200W

Oven

Capacity: 6.3 cu. ft.

Hidden Bake Element: 2400W

Bake: 175°F–550°F

Broil: Low/High, 3400W

Sabbath Mode

Storage Drawer

Capacity: 0.8 cu. ft.

Warranty

One (1) Year Parts and Labour

Product Dimensions & Weight (WxHxD)

Cavity Dimensions: 24^{13/16}" x 22^{7/16}" x 19^{3/4}"

Net Dimensions: 29^{15/16}" x 46^{5/16}" - 47^{1/16}" x 26^{7/16}"

Weight: 130.7 lbs (59.3 Kg)

Shipping Dimensions & Weight (WxHxD)

Dimensions: 33^{1/16}" x 50^{9/16}" x 30^{5/16}"

Weight: 154.3 lbs (70 Kg)

Colour

Stainless Steel

Model

NE63A6111SS

UPC Code

887276509365

Range Rating Watts		Specified Rating of Power-Supply-Cord Kit and Circuit Protection Amps	Diameter (inches) of Range Connection Opening		Plug Type	Power Cord Length
120/240 Volts 3-Wire	120/208 Volts 3-Wire		Power Cord	Conduit		
8750-16500	7801-12500	40 or 50 A	1 ^{3/8} "	1 ^{1/8} "	4 Prong	39.4"

A range cord rated at 40 amps with 125/250 minimum volt range is required. A 50 amp range cord is not recommended but if used, it should be marked for use with nominal 1^{3/8}" diameter connection openings. Care should be taken to center the cable and strain relief within the knockout hole to keep the edge from damaging the cable.