

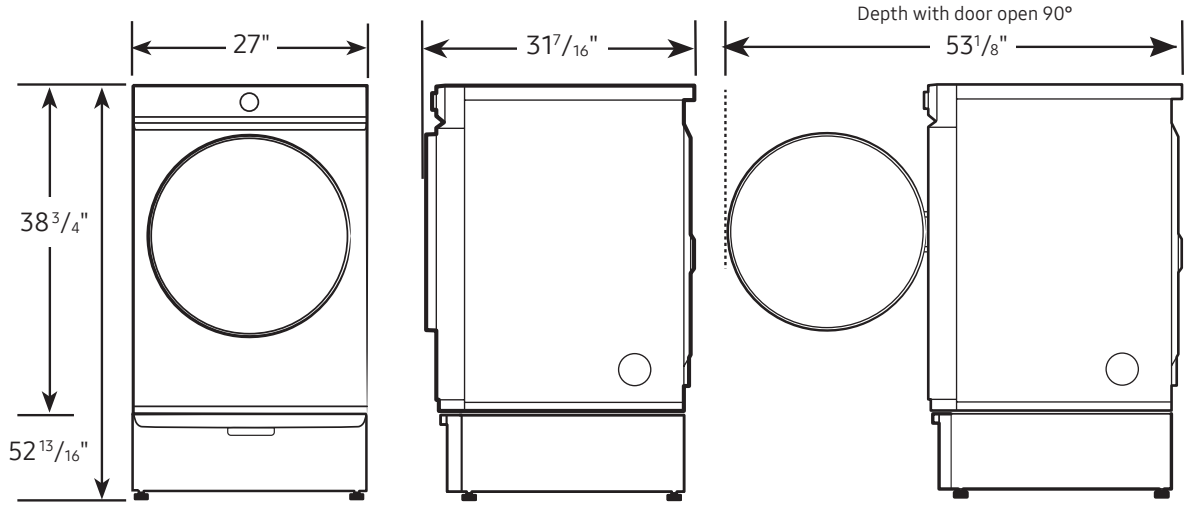
DVE53BB8900

SAMSUNG

Bespoke 7.6 cu. ft. Ultra Capacity Electric Dryer with AI Optimal Dry and Super Speed Dry

Dimensions

Required dimensions for installation with pedestal:

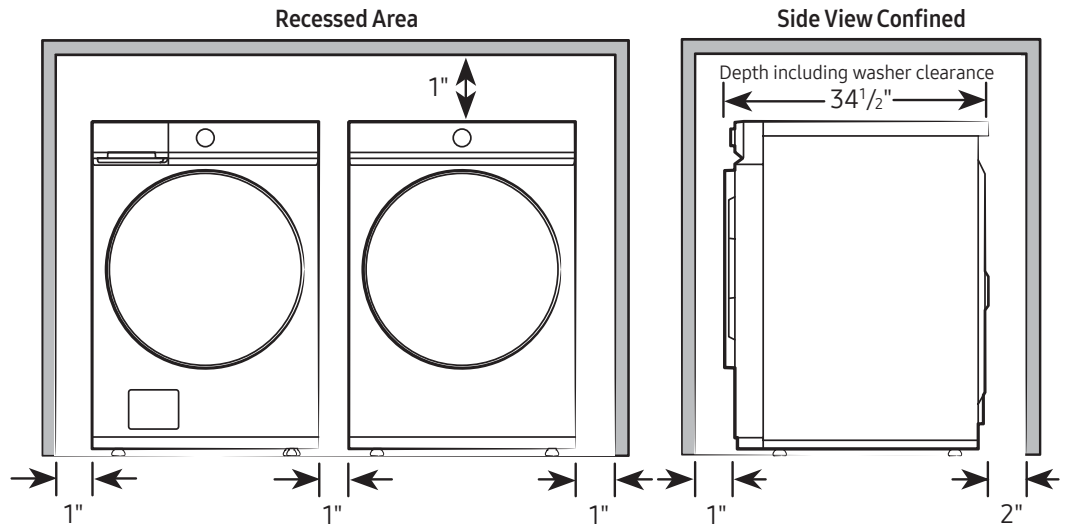


Installation Specifications – Side-by-Side

If the washer and dryer are installed together or the dryer alone, the closet front must have two unobstructed air openings for a combined minimum total area of 72-inch². Your washer alone does not require a specific air opening.

Alcove or closet installation

Minimum clearance for closet and alcove installations:



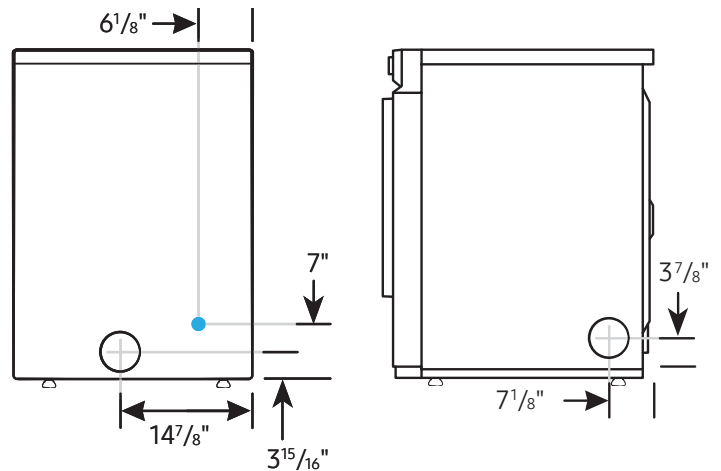
Connection Dimensions

Back and side view of dryer

LEGEND:

- Cold Water Connection

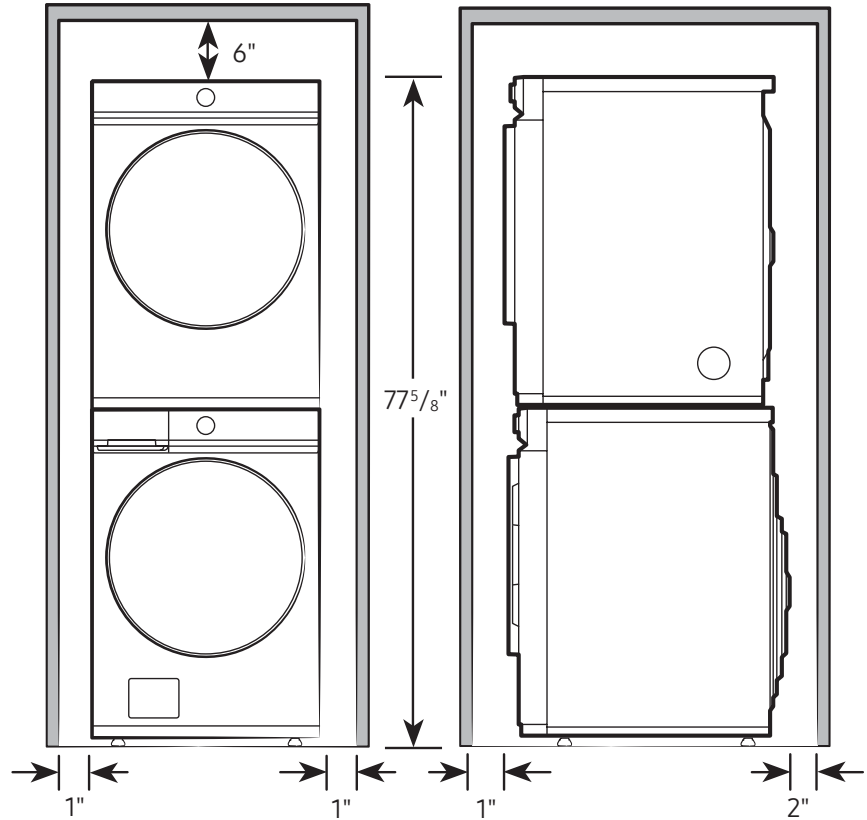
Actual colour may vary. Design, specifications and colour availability are subject to change without notice. Non-metric weights and measurements are approximate.



Bespoke 7.6 cu. ft. Ultra Capacity Electric Dryer
with AI Optimal Dry and Super Speed Dry

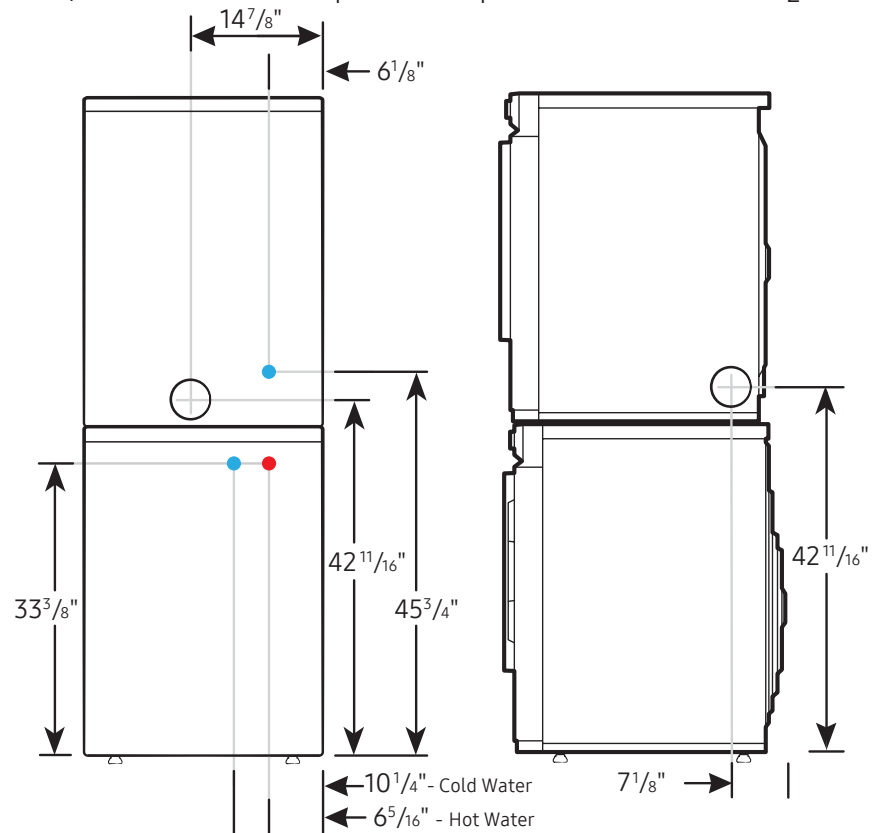
Installation Specifications – Stacked Pair

Clearances indicated are for stacked pairs. The closet front must have two unobstructed air openings for a combined minimum total area of 72-inch².



Connection Dimensions

Back and side views of stacked pair



- LEGEND:**
- Cold Water Connection
 - Hot Water Connection

Actual colour may vary. Design, specifications and colour availability are subject to change without notice. Non-metric weights and measurements are approximate.