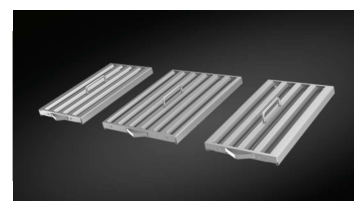




WTD9M Series

This UL-Rated Outdoor Chimney designed of brushed corrosion resistant stainless steel to ensure long life in outdoor patios or lanais, this hood will remain a beautiful addition to your outdoor kitchen for many years to come.

- Modular Series with internal blower system sold separately, 1300 Max Blower CFM and quiet 2.0 sones operation at normal setting.
- Infinite speed control gives you the convenience of automatically remembering last setting.
- One-level halogen cooktop lighting. (Bulbs included.)
- Easily accessible, dishwasher-safe corrosion resistant stainless steel baffle filters with handles.
- Optional corrosion resistant flue extension up to 12' ceiling.

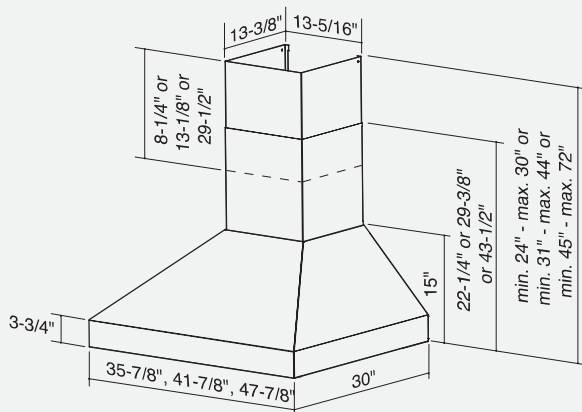


best[®]
PERFORMANCE THAT INSPIRES

At **BEST**, we make high performance range hoods that perform beautifully. Astonishingly quiet. Impressively effective. Remarkably efficient. And perfectly suited for the most distinguished kitchens.

Whether it's the centerpiece of the room or letting its surroundings shine, **BEST** is where high-end performance inspires.

Installation height above the cooking surface: 36"



HOOD SIZES* - Depth: 30"

Modular Internal (blower sold separately) — Depth: 30"

36" WTD9M36SB

42" WTD9M42SB

48" WTD9M48SB

* For exact dimensions, please refer to the technical drawing of each model.

FEATURES

Finish	Corrosion Resistant Stainless Steel (Grade 304)
Lighting Type	Halogen, MR16; GU10-50W
Number of Lamps	2
Lighting Levels	1
Lighting Lamps Included	Yes
Control Type	Infinite Speed Rotary, Illuminated ON/OFF with Last Memory Setting
Control Features	Heat Sentry™
Remote Control	Not Available
Filter Type	304 Stainless Steel Baffle
Non-ducted Capability	No

HOOD BLOWER OPTIONS (Blower sold separately)

Internal Modular	P12NA
Max Blower CFM*	1300

Refer to blower's specification sheets for HVI performance (sones & CFM).

ACCESSORIES

Flue Extension	8.0-8.5 ft	AEWTD915SB
	8.5-9.5 ft	AEWTD1629SB
	9.5-12.0 ft	AEWTD3057SB

INSTALLATION REQUIREMENTS

Amps @ 120V	7.0
Electrical Connection	Direct Wire
Duct Size: Internal Blower	10"
Duct Direction	Vertical
Backdraft Damper	Not Included

*MAX Blower CFM indicates the performance of the hood blower in open air.