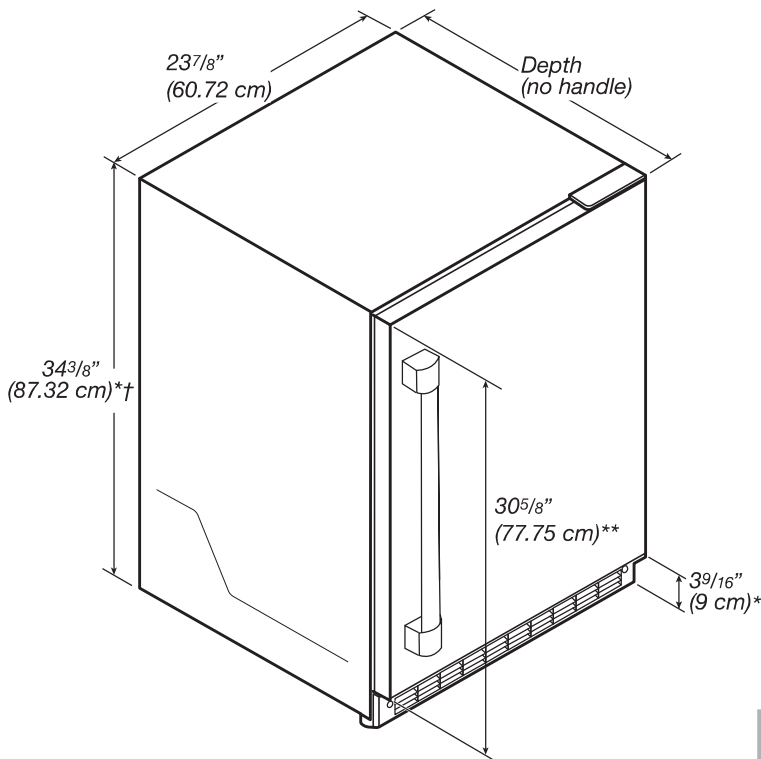


UNDER COUNTER WINE CELLAR

KUWR314KSS, KUWL314KSS, KUWR314KBS, KUWL314KBS, KUWR214KSB, KUWL214KSB, KUWR214KPA, KUWL214KPA

Detailed Planning Dimensions Guide

Product Dimensions



- * Add 5/8" (1.6 cm) to the height dimension when leveling legs are fully extended.
- ** For custom panel models, this will vary.
- † Add 1/4" (6.4 mm) to the height dimension for height with hinge covers.

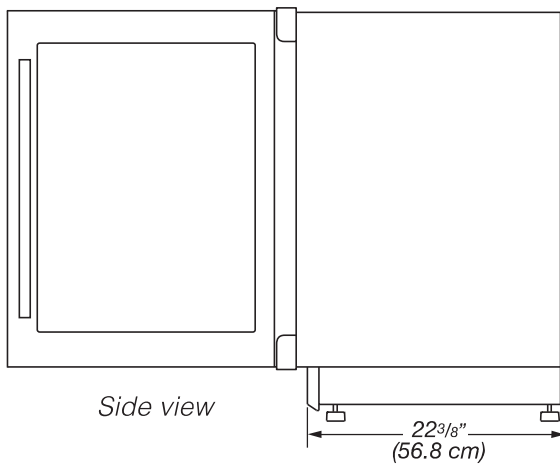
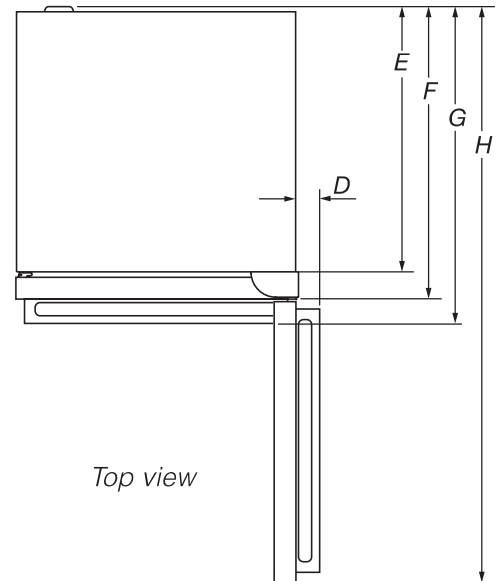
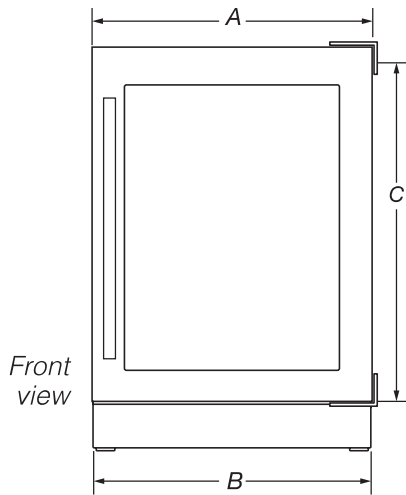
Variant	Depth (no handle)
Panel ready models (with 3/4" panel)	23 13/16" (60.7 cm)
Stainless and black stainless	23 5/8" (60.2 cm)

Because Whirlpool Corporation policy includes a continuous commitment to improve our products, we reserve the right to change materials and specifications without notice.

Dimensions are for planning purposes only. For complete details, see Installation Instructions packed with product. Specifications subject to change without notice.

Dimension	Description	Panel ready models (with 3/4" panel)	Stainless and black stainless models
A	Width of door	23 ³ / ₄ " (60.3 cm)	23 ³ / ₄ " (60.3 cm)
B	Width of the grille	23 ¹³ / ₁₆ " (60.5 cm)	23 ¹³ / ₁₆ " (60.5 cm)
C	Height to top of handle	**	31 ¹ / ₈ " (78.85 cm)
D	Width from side of wine cellar to handle – door open 90°	**	2 ¹ / ₃ " (5.95 cm)
E	Depth without door	21 ¹¹ / ₁₆ " (55.1 cm)	21 ¹¹ / ₁₆ " (55.1 cm)
F	Depth with door	23 ¹³ / ₁₆ " (60.7 cm)	23 ⁵ / ₈ " (60.2 cm)
G	Depth with handle	**	26 ⁷ / ₁₆ " (67.15 cm)
H	Depth with door open 90°	47 ¹⁵ / ₁₆ " (121.8 cm)	47 ¹⁵ / ₁₆ " (121.8 cm)

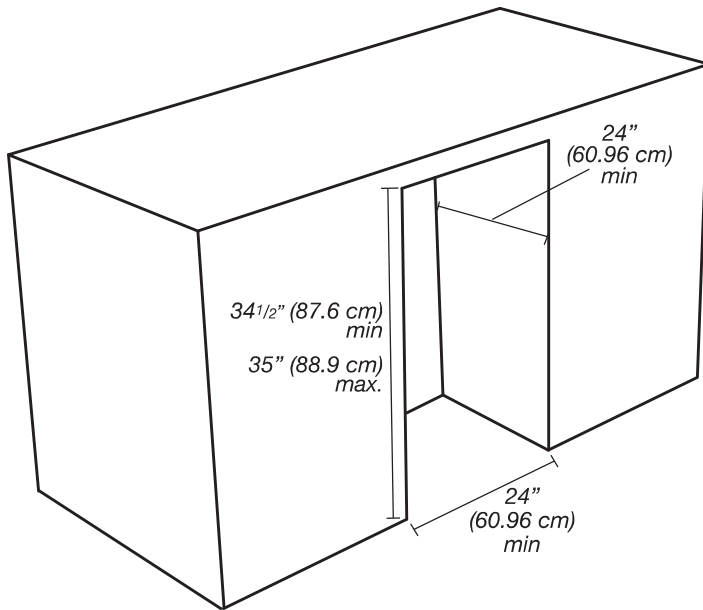
**For custom panel models, this will vary.



Because Whirlpool Corporation policy includes a continuous commitment to improve our products, we reserve the right to change materials and specifications without notice.

Dimensions are for planning purposes only. For complete details, see Installation Instructions packed with product. Specifications subject to change without notice.

Opening Dimensions

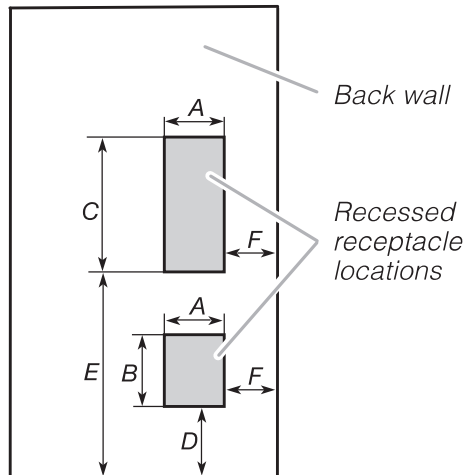


NOTE: Make sure there is 3" (7.6 cm) space between wine cellar and adjacent appliance/wall for door swing.

Electrical Supply Location

- Lighter grey area indicates recommended needed power outlet (located behind the wine cellar).
- Power cord length is 60" (152.4 cm).

- For flush installation, the power outlet can be installed in adjacent cabinetry with a cutout on the power cord side for routing of the power cord.



Dimensions			
A	3" (7.55 cm)	D	12 ¹ / ₁₆ " (30.64 cm)
B	4 ¹ / ₂ " (11.37 cm)	E	21 ³ / ₄ " (55.16 cm)
C	9 ¹ / ₄ " (23.47 cm)	F	1 ³ / ₄ " (4.44 cm)

Electrical Requirements

⚠ WARNING



Electrical Shock Hazard

Plug into a grounded 3 prong outlet.

Do not remove ground prong.

Do not use an adapter.

Do not use an extension cord.

Failure to follow these instructions can result in death, fire, or electrical shock.

A 115 V, 60 Hz, AC only, 15 A or 20 A fused, grounded electrical supply is required. It is recommended that a separate circuit serving only your wine cellar be provided. Use an outlet that cannot be turned off by a switch. Do not use an extension cord.

Location Requirements

⚠ WARNING



Explosion Hazard

Keep flammable materials and vapors, such as gasoline, away from wine cellar.

Failure to do so can result in death, explosion, or fire.

For the wine cellar to be flush with the front of the base cabinets, remove any baseboards or moldings from the rear of the opening.

Flooring under product must be at the same level as the room. If the floor of the opening is not level with the kitchen floor, shim the opening to make it level with the kitchen floor.

Because Whirlpool Corporation policy includes a continuous commitment to improve our products, we reserve the right to change materials and specifications without notice.

Dimensions are for planning purposes only. For complete details, see Installation Instructions packed with product. Specifications subject to change without notice.

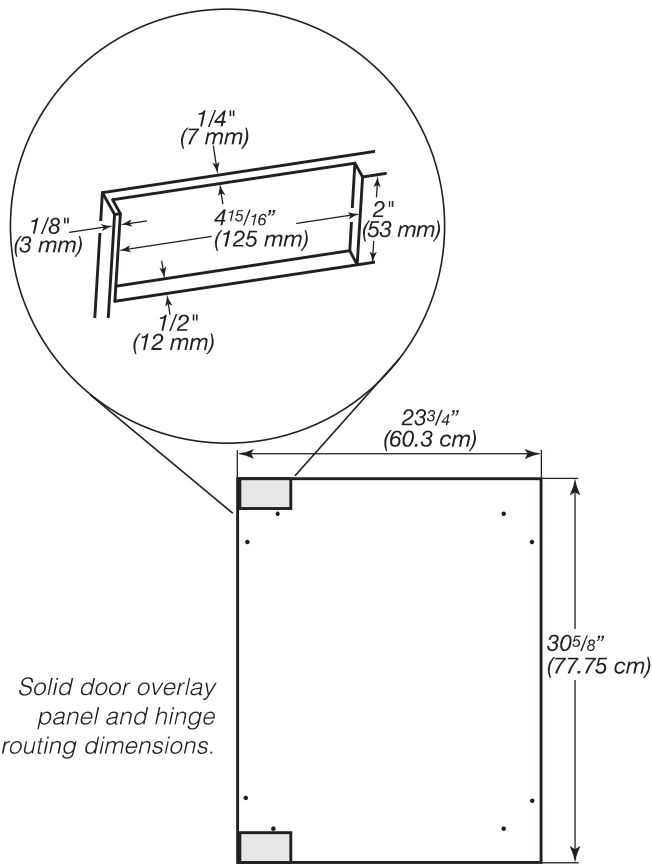
Wood Panel Guide

CAUTION: Installation of door panels with less than a 3/8" (0.95 cm) gap between the door panel and the adjacent cabinet increases the risk of potential pinching.

IMPORTANT:

- The graphics in following sections show a custom panel for a door with the hinges installed on the right-hand side. If your wine cellar has the hinges installed on the left-hand side, rotate the custom frame 180° so the hinge markings will be on the left.

Solid door overlay panel



- Panel dimensions shown are the minimum size to cover the appliance door. Panels can be made taller/wider to match surrounding cabinetry.
- The recommended thickness of the overlay panel is 3/4" (19 mm).
- Custom solid door overlay panel must not weigh more than 20 lb (9.07 kg).
- Custom glass door overlay panel must not weigh more than 10 lb (4.54 kg).
- Overlay panels weighing more than recommended may cause damage to your appliance.

Glass door overlay panel

