



# FRIGIDAIRE

## Factory Parts Catalog

|                                  |                    |
|----------------------------------|--------------------|
| <b>Product No.</b>               | <b>PCFD3670AFA</b> |
| <b>Series</b>                    | Professional       |
| <b>Color</b>                     | stainless          |
| <b>Market</b>                    | North America      |
| <b>Owner's Guide</b>             | 914779731          |
| <b>Installation Instructions</b> | 914780102          |
| <b>Service Data Sheet</b>        | 913531561          |
| <b>Quick Start Guide</b>         | 913531558          |

### **Frigidaire**

P.O. BOX 8020  
CHARLOTTE, NC 28262

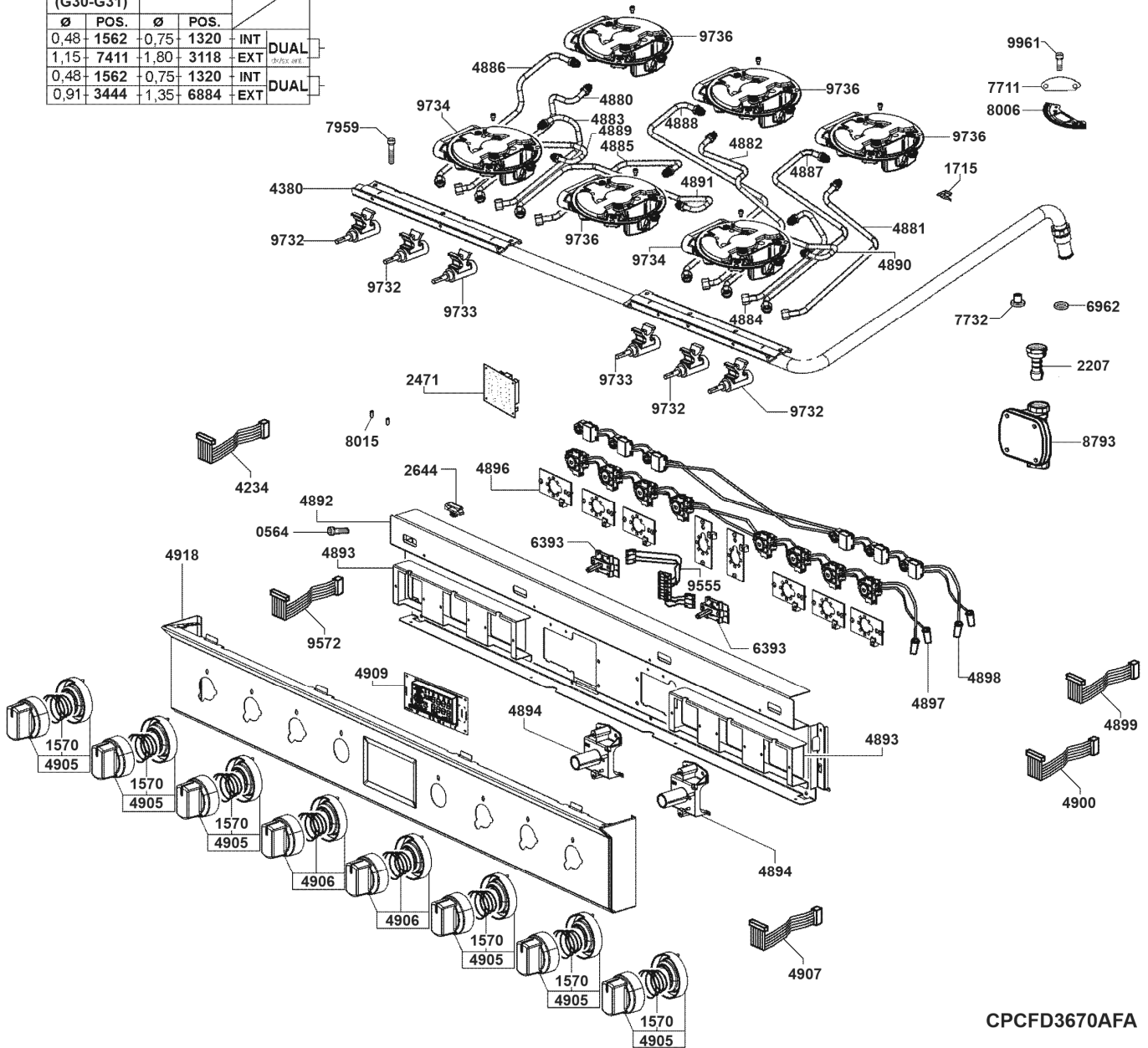
Publication No.  
**5995734570**  
23/05/24  
(EN/SERVICE/ECL)  
377

### **36-INCH FREE- STANDING DUAL FUEL RANGE**

Model No.  
**PCFD3670A**

**CONTROL PANEL / TOP BURNERS**

| NOZZLES TABLE       |      |             |      |             |  |
|---------------------|------|-------------|------|-------------|--|
| L.P.G.<br>(G30-G31) |      | NATURAL GAS |      | TYPE OF GAS |  |
| Ø                   | POS. | Ø           | POS. |             |  |
| 0,48                | 1562 | 0,75        | 1320 | INT         | DUAL<br><small>(2x103 and 104)</small> |
| 1,15                | 7411 | 1,80        | 3118 | EXT         |  |
| 0,48                | 1562 | 0,75        | 1320 | INT         | DUAL                                   |
| 0,91                | 3444 | 1,35        | 6884 | EXT         |  |

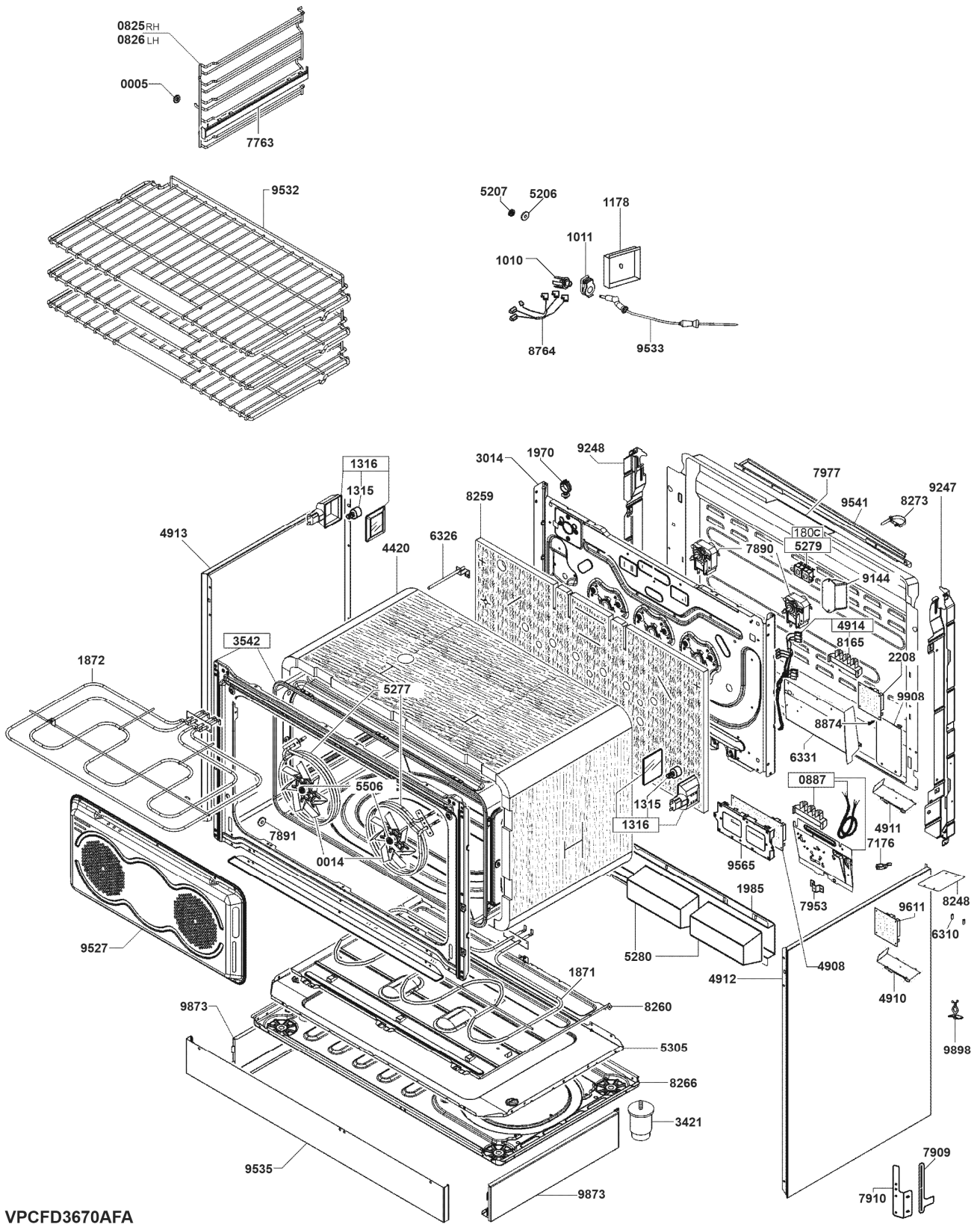


CPCFD3670AFA

**CONTROL PANEL / TOP BURNERS**

| POS. NO | PART NO.   | DESCRIPTION   |
|---------|------------|---|
| 0564    | 5304529223 | Screw, bracket, (10), control panel                                 |
| 1320    | 5304527459 | Orifice, natural gas, D.0, 75-750BTU, internal, dual burner         |
| 1562    | 5304527467 | Orifice, LP gas, D.0, 48-750 BTU, internal, dual burner             |
| 1570    | 5304527483 | Spring, knob  |
| 1715    | 5304527485 | Spring Clip, burner   |
| 2207    | 5304529231 | Connector, manifold tube  |
| 2471    | 5304529252 | PC Board, control   |
| 2644    | 5304527708 | Clamp, cable, (2)   |
| 3118    | 5304527435 | Orifice, natural gas, D.1, 80-18K BTU, external, (2), dual burner   |
| 3444    | 5304527696 | Orifice, LP gas, D.0, 91-12K BTU, external, (4), dual burner        |
| 4234    | 5304527487 | Harness, wiring, communication, flat                                |
| 4380    | 5304531587 | Manifold, tubing  |
| 4880    | 5304531598 | Tubing, LR burner, front connect                                    |
| 4881    | 5304531599 | Tubing, RR burner, front connect                                    |
| 4882    | 5304531600 | Tubing, CR burner, front connect                                    |
| 4883    | 5304531601 | Tubing, LF burner, rear connect                                     |
| 4884    | 5304531602 | Tubing, RF burner, rear connect                                     |
| 4885    | 5304531603 | Tubing, CF burner, rear connect                                     |
| 4886    | 5304531604 | Tubing, LR burner, side connect                                     |
| 4887    | 5304531605 | Tubing, RR burner, side connect                                     |
| 4888    | 5304531606 | Tubing, CR burner, side connect                                     |
| 4889    | 5304531607 | Tubing, LF burner, side connect                                     |
| 4890    | 5304531608 | Tubing, RF burner, side connect                                     |
| 4891    | 5304531609 | Tubing, CF burner, side connect                                     |
| 4892    | 5304531610 | Support, front panel  |
| 4893    | 5304531611 | Support, control valves   |
| 4894    | 5304531612 | Support, potentiometer  |
| 4896    | 5304531614 | PC Board, power module, burner knob                                 |
| 4897    | 5304531615 | Micro Switch, assembly, 8 switches, w/wiring                        |
| 4898    | 5304531616 | Micro Switch, assembly, 6 switches, w/wiring                        |
| 4899    | 5304531617 | Cable, communication  |
| 4900    | 5304531618 | Cable, communication  |
| 4905    | 5304531619 | Knob Assembly, top burner, stainless, w/spring                      |
| 4906    | 5304531620 | Knob Assembly, oven control, stainless, w/spring                    |
| 4907    | 5304531621 | Cable, lighting   |
| 4909    | 5304534038 | Controller, electronic, oven  |
| 4918    | 5304531629 | Control Panel, stainless, 4918                                      |
| 6393    | 5304527476 | Switch, potentiometer, (2)  |
| 6884    | 5304527695 | Orifice, natural gas, D.1, 35-12K BTU, external, (4), dual burner   |
| 6962    | 5304527447 | Seal, gas, (2)  |
| 7411    | 5304527438 | Orifice, LP gas, D.1, 15-18K BTU, external, (2), dual burner        |
| 7711    | 5304527497 | Plate, burner   |
| 7732    | 5304527461 | Cap, gas pipe   |
| 7959    | 5304527504 | Screw, burner valve, (12)   |
| 8006    | 5304527505 | Gasket, burner, auxiliary   |
| 8015    | 5304527772 | Spacer, electronic unit   |
| 8793    | 5304527531 | Regulator, gas stabilizer   |
| 9555    | 5304527536 | Harness, wiring, potentiometers                                     |
| 9572    | 5304532116 | Harness, wiring, connection, display                                |
| 9732    | 5304527750 | Valve, dual burner, (4)   |
| 9733    | 5304527544 | Valve, dual burner, (2)   |
| 9734    | 5304527545 | Holder Assembly, dual burner, 750/18000 BTU, (2), D.1, 80 + D.0, 75 |
| 9736    | 5304527751 | Holder Assembly, dual burner, 750/12000 BTU, (4), D.1, 35 + D.0, 75 |
| 9961    | 5304527449 | Screw, burner   |

**BODY**

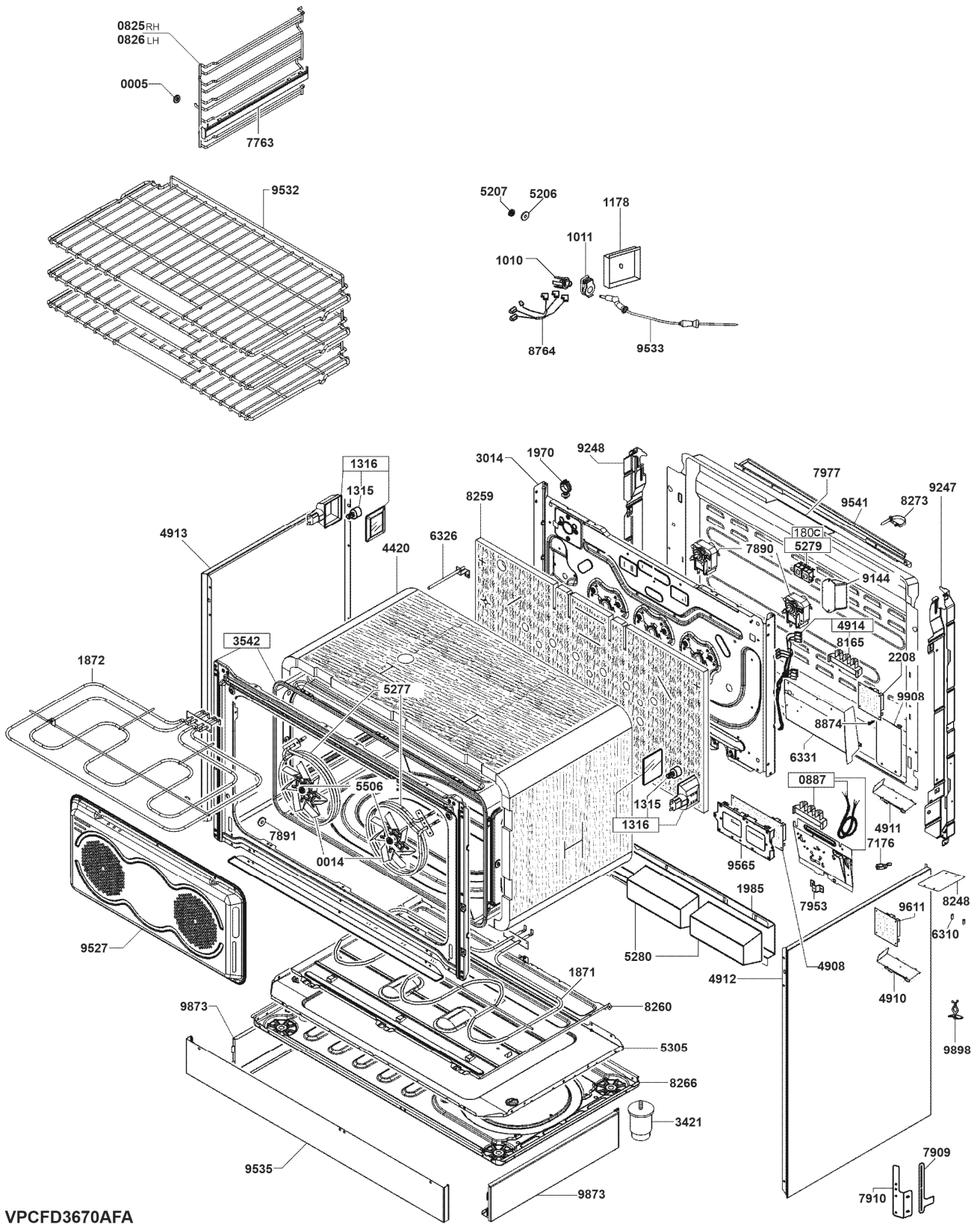


VPCFD3670AFA

**BODY**

| POS. NO | PART NO.   | DESCRIPTION  |
|---------|------------|--|
| 0005    | 5304527453 | Bushing, rack support                                |
| 0014    | 5304527454 | Blade, fan, convection, 7 vane                       |
| 0825    | 5304531576 | Glide Rail, rack, RH                                 |
| 0826    | 5304531577 | Glide Rail, rack, LH                                 |
| 0887    | 5304531578 | Cable Assembly, feeder, w/term block                 |
| 1010    | 5304527481 | Receptacle, meat probe                               |
| 1011    | 5304527482 | Cover, receptacle, meat probe                        |
| 1178    | 5304531579 | Housing, probe shield                                |
| 1315    | 5304527465 | BULB, oven lamp, halogen, 40W, 120V, (2)             |
| 1316    | 5304527466 | Lamp Assembly, halogen, oven, 40W, 120V, (2), w/bulb |
| 1871    | 5304531580 | Element, oven bake, 1700W                            |
| 1872    | 5304531581 | Element, oven broil                                  |
| 1970    | 5304527468 | Clamp, cable, (6)                                    |
| 1985    | 5304528981 | Support, counterweight                               |
| 2208    | 5304531582 | PC Board, filter card                                |
| 3014    | 5304532741 | Panel, oven back                                     |
| 3421    | 5304531585 | Foot Kit, cabinet, (includes 4)                      |
| 3542    | 5304527716 | Liner, oven cavity                                   |
| 4420    | 5304527719 | Insulation, oven wrapper                             |
| 4908    | 5304531622 | PC Board, power, main                                |
| 4910    | 5304531624 | Support, PC board                                    |
| 4911    | 5304531625 | Holder, assembly, filter                             |
| 4912    | 5304531626 | Panel, side, stainless, RH                           |
| 4913    | 5304531627 | Panel, side, stainless, LH                           |
| 4914    | 5304531628 | Harness, wiring, main                                |
| 5206    | 5304527489 | Washer   |
| 5207    | 5304527490 | Nut  |
| 5277    | 5304527712 | Element, convection, 3380w, (2)                      |
| 5279    | 5304527474 | Thermostat, rear, 180 deg. C                         |
| 5280    | 5304527475 | Counterweight, (2)                                   |
| 5305    | 5304527720 | Shield, hidden bake, lower                           |
| 5506    | 5304527436 | Nut, fan blade, convection                           |
| 6310    | 5304527491 | Spacer, (4)  |
| 6326    | 5304527492 | Probe, oven temp, PT1000 UL                          |
| 6331    | 5304527494 | Power Electronic, unit                               |
| 7176    | 5304527437 | Clamp, hose, RTE12000                                |
| 7763    | 5304527498 | Glide Kit, oven rack, RH and LH, telescopic          |
| 7890    | 5304527722 | Motor, convection fan, (2)                           |
| 7891    | 5304531574 | Washer   |
| 7909    | 5304527501 | Hook, attachment                                     |
| 7910    | 5304527502 | Support, attachment hook                             |
| 7953    | 5304527503 | Bracket, attachment                                  |
| 7977    | 5304531575 | Panel, back, main                                    |
| 8165    | 5304527478 | Terminal Block, electrical                           |
| 8248    | 5304527524 | Shield, feeder board                                 |
| 8259    | 5304527700 | Insulation, oven back                                |
| 8260    | 5304527701 | Burner Box, support, hidden bake                     |
| 8266    | 5304534121 | Base, oven bottom                                    |
| 8273    | 5304527697 | Clamp, wiring  |
| 8764    | 5304527530 | Harness, wiring, meat probe                          |
| 8874    | 5304527533 | Spacer, PC board                                     |

**BODY**



VPCFD3670AFA

**BODY**

---

| <b>POS. NO</b> | <b>PART NO.</b> | <b>DESCRIPTION</b>                   |
|----------------|-----------------|--------------------------------------|
| 9144           | 5304527783      | Filter, electrical                   |
| 9247           | 5304527457      | Brace, oven, RH rear                 |
| 9248           | 5304527458      | Brace, oven, LH rear                 |
| 9527           | 5304527733      | Cover, convection unit               |
| 9532           | 5304527737      | Rack, oven, (3), handled             |
| 9533           | 5304527535      | Probe, meat temp                     |
| 9535           | 5304527738      | Plinth, front, lower                 |
| 9541           | 5304527740      | Tray, drip, rear                     |
| 9565           | 5304527743      | Support, power board                 |
| 9611           | 5304527540      | PC Board, feeder, 120V-12/5V         |
| 9873           | 5304527771      | Plinth Kit, assembly, LH and RH side |
| 9898           | 5304527444      | Clip, cable, stringing               |
| 9908           | 5304527568      | Shield, protection                   |



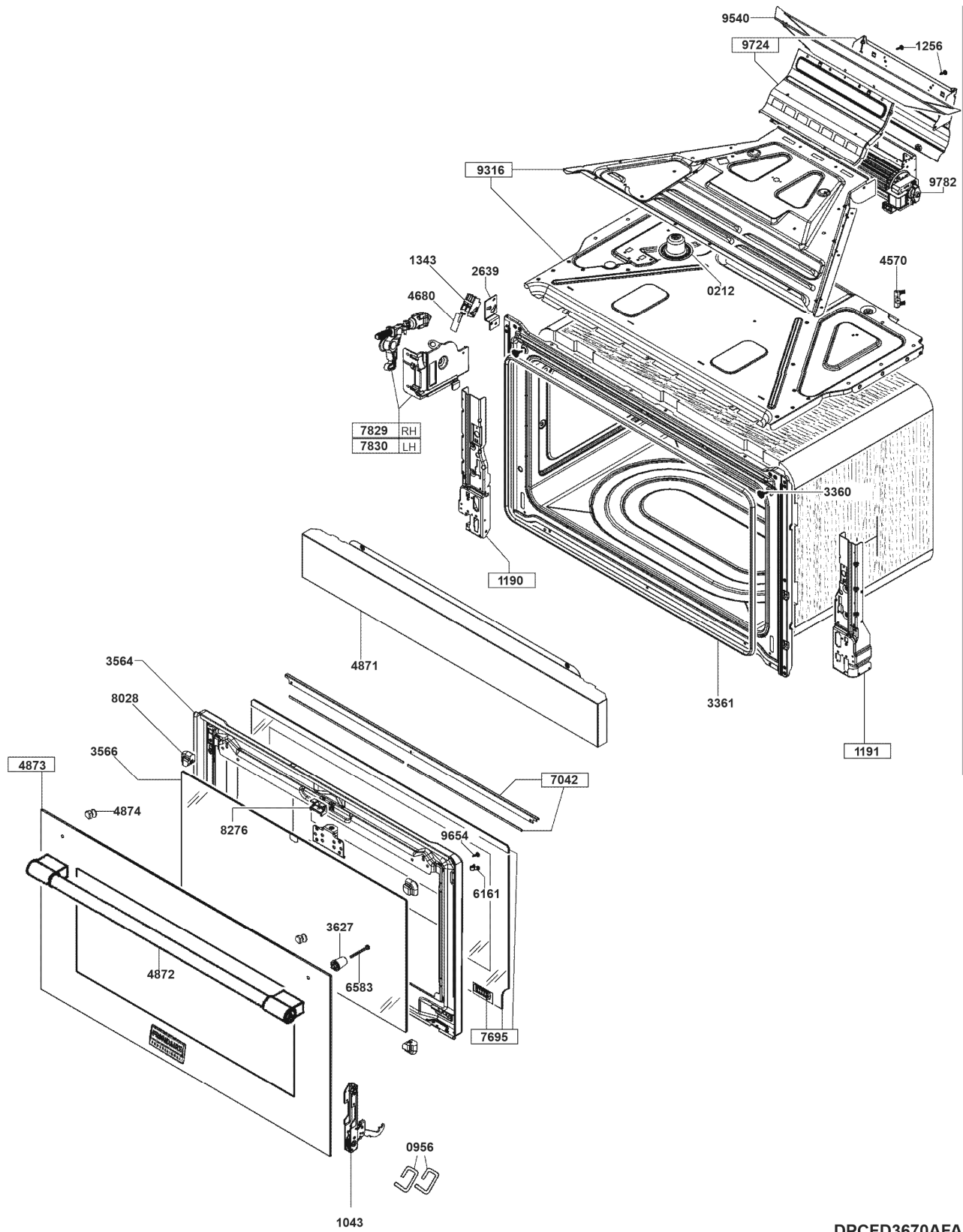
---

**MAIN TOP**


---

| <b>POS. NO</b> | <b>PART NO.</b> | <b>DESCRIPTION</b>                                       |
|----------------|-----------------|--|
| 1714           | 5304527484      | Thermocouple, +OR mm600                                  |
| 2999           | 5304531583      | Foot, grate, rubber                                      |
| 3359           | 5304527470      | Clip, wiring, spark ignitor                              |
| 3482           | 5304532672      | Thermostat, safety, 100 deg C                            |
| 4724           | 5304531588      | Ignitor, spark, top burner                               |
| 4875           | 5304531593      | Grate, top burner, black, LH                             |
| 4876           | 5304531594      | Grate, top burner, black, RH                             |
| 4877           | 5304531595      | Grate, top burner, black, center                         |
| 4878           | 5304531596      | Maintop, assembly, stainless                             |
| 4879           | 5304531597      | Ignitor, spark, top burner                               |
| 4895           | 5304531613      | Support, maintop, rear                                   |
| 5463           | 5304527445      | Nut, thermocouple, top burner                            |
| 6814           | 5304532699      | Harness, wiring, communication                           |
| 6815           | 5304534122      | Harness, wiring, filter, maintop                         |
| 6821           | 5304527440      | Spacer, frame, rear, (2)                                 |
| 6836           | 5304527495      | Cap, dual burner, 12K, black, internal                   |
| 7403           | 5304527460      | Screw, burner, M4 x 8                                    |
| 8605           | 5304527728      | Bracket, RH  |
| 8606           | 5304527729      | Bracket, LH  |
| 9644           | 5304527443      | Module, spark ignitor, (2)                               |
| 9721           | 5304527541      | Side Bracket, kit, RH and LH, rear                       |
| 9722           | 5304527746      | Trim, cook top, stainless, rear                          |
| 9723           | 5304527747      | Bracket, rear trim                                       |
| 9728           | 5304527543      | Bracket, support, (2)                                    |
| 9737           | 5304527547      | Plate, cook top, (2)                                     |
| 9752           | 5304527548      | Harness, wiring, thermostats                             |
| 9767           | 5304527550      | Burner, support, cook top, flame spreader                |
| 9768           | 5304527551      | Burner Cap, flame spreader, 18K, brass, LH/RH front, (2) |
| 9769           | 5304527552      | Burner Cap, flame spreader, black                        |
| 9770           | 5304527553      | Cap, dual burner, 18K, brass, LH/RH front, (2)           |

DOOR / COOLING-VENTING

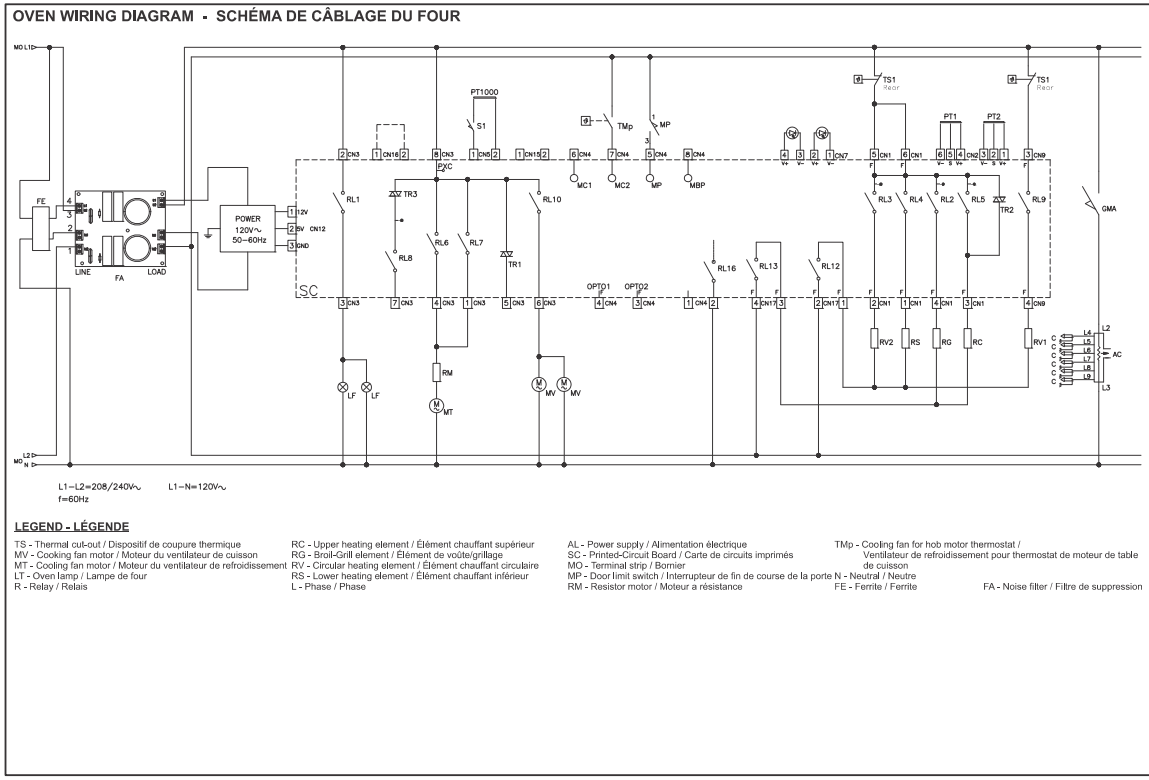
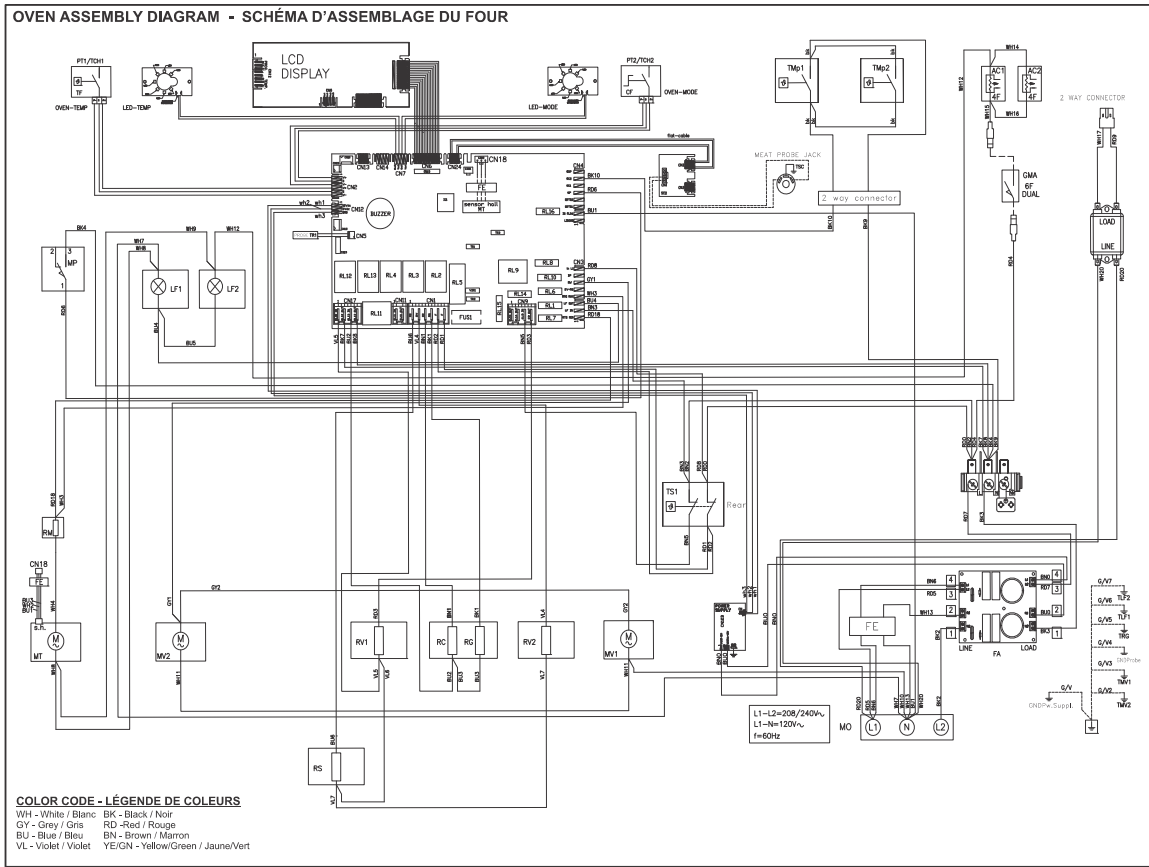


DPCFD3670AFA

**DOOR / COOLING-VENTING**

| <b>POS. NO</b> | <b>PART NO.</b> | <b>DESCRIPTION</b>                           |
|----------------|-----------------|--|
| 0212           | 5304527455      | Chimney, oven catalyst                       |
| 0956           | 5304527463      | Hook, door hinge, oven, (2)                  |
| 1043           | 5304531573      | Hinge, door                                  |
| 1190           | 5304527705      | Bracket, column, LH front                    |
| 1191           | 5304527706      | Bracket, column, RH front                    |
| 1256           | 5304527707      | Bumper, rubber, rear, (2), air duct          |
| 1343           | 5304527456      | Switch, micro, door, 16A, 220V               |
| 2639           | 5304527469      | Bracket, microswitch, door                   |
| 3360           | 5304527471      | Bumper, door, (2)                            |
| 3361           | 5304527709      | Gasket, oven door                            |
| 3564           | 5304527717      | Frame, inner door                            |
| 3566           | 5304527718      | Glass, door, middle                          |
| 3627           | 5304531586      | Spacer, door, inner                          |
| 4570           | 5304527488      | Heater, ceramic, 60 ohm, 50w                 |
| 4680           | 5304527473      | Lever, microswitch                           |
| 4871           | 5304531589      | Panel, bottom, stainless, front              |
| 4872           | 5304534036      | Handle, door, stainless                      |
| 4873           | 5304534037      | Door Assembly, outer, stainless, w/badge     |
| 4874           | 5304531592      | Guide pin, handle                            |
| 6161           | 5304527446      | Spring, pivot fixing, door                   |
| 6583           | 5304527452      | Screw, TSC zinc, M5 x 45, (2), door handle   |
| 7042           | 5304527713      | Trim Assembly, door, upper                   |
| 7695           | 5304527721      | Door Glass, assembly, internal               |
| 7829           | 5304527499      | Shock Absorber, assembly, door-RH, w/bracket |
| 7830           | 5304527500      | Shock Absorber, assembly, door-LH, w/bracket |
| 8028           | 5304527714      | Grommet, stopper, middle glass, (4)          |
| 8276           | 5304527464      | Catch, door latch, inner                     |
| 9316           | 5304527704      | Air duct, assembly, cooling fan              |
| 9540           | 5304527739      | Extension, air duct                          |
| 9654           | 5304527448      | Bumper, rubber                               |
| 9724           | 5304527542      | Support, assembly, cooling motor             |
| 9782           | 5304527479      | Blower, motor, cooling fan                   |

WIRING DIAGRAM



**WIRING DIAGRAM**

