



Electrolux

Factory Parts Catalog

Product No.	ECWS3012ASB
PNC	912081050
ELC	00
Color	stainless
Market	North America
Wiring Diagram	A22468805
Owner's Guide	A26164001
Installation Instructions	807153708
Service Data Sheet	A22383707
Quick Start Guide	A20415719

 **Electrolux**

Electrolux Major Appliances

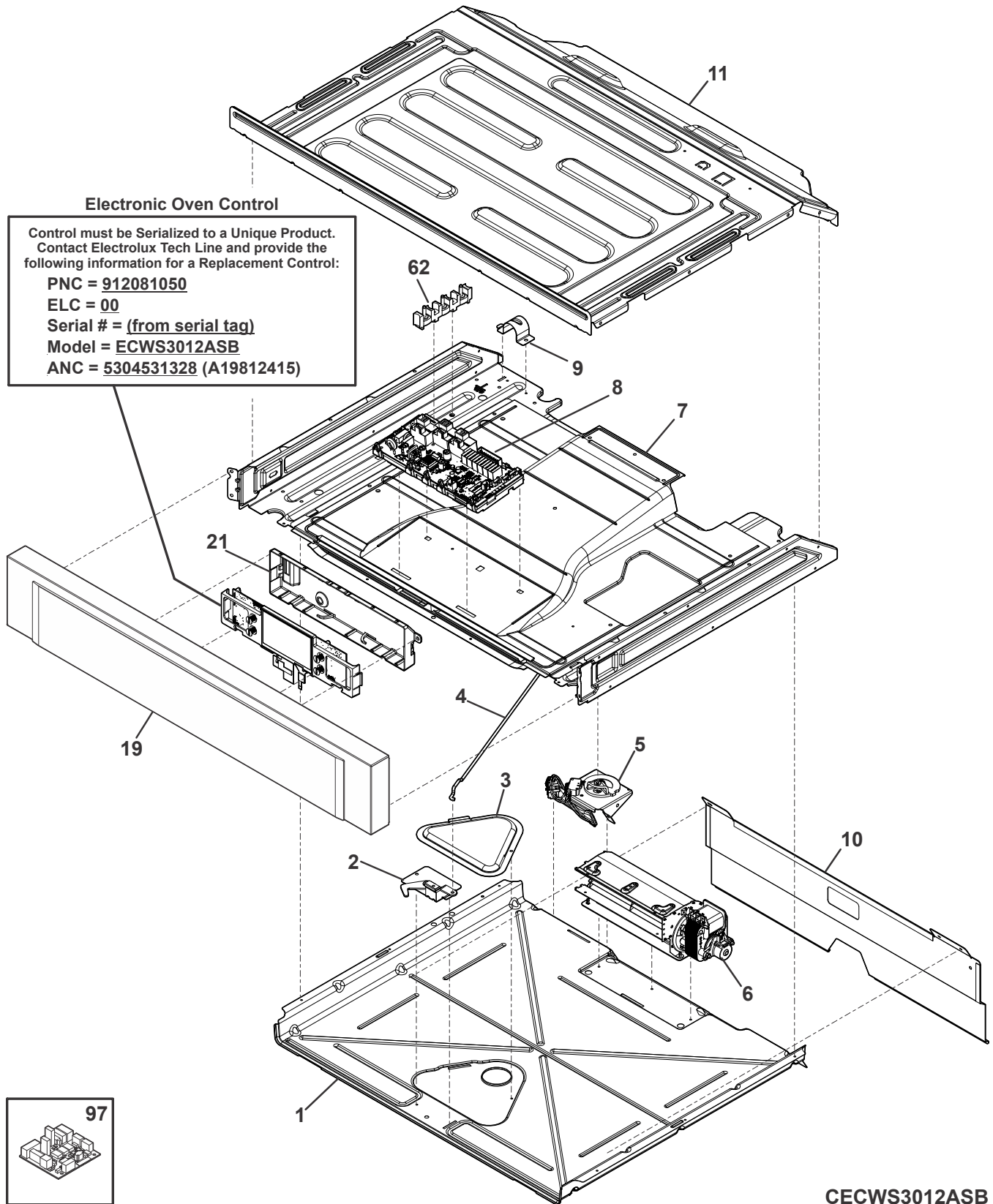
P.O. BOX 8020
CHARLOTTE, NC 28262

Publication No.
5995734463
23/05/16
(EN/SERVICE/ECL)
377

**30" SINGLE ELECTRIC
WALL OVEN**

Model No.
ECWS3012A

CONTROL PANEL

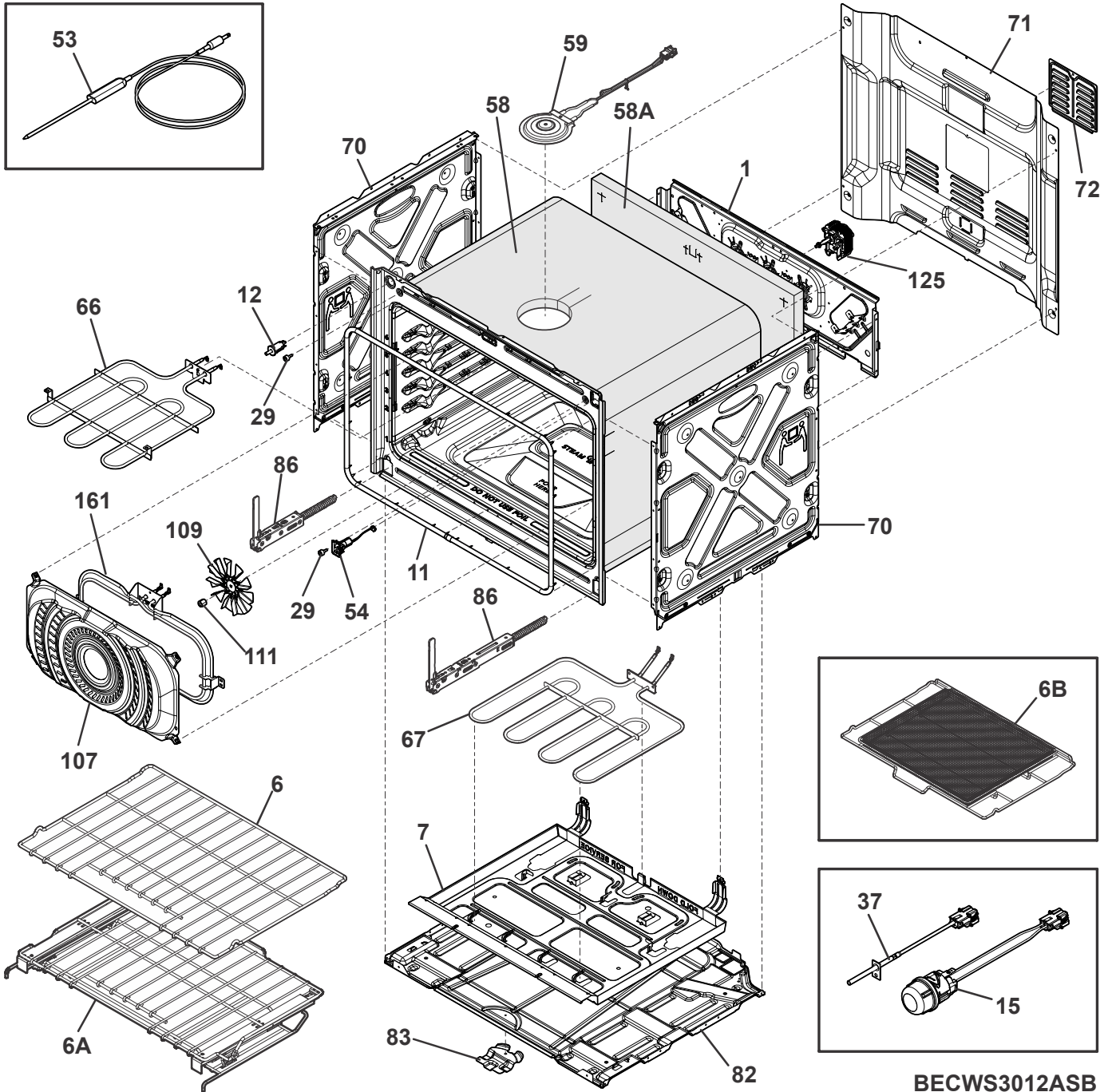


CECWS3012ASB

CONTROL PANEL

POS. NO	PART NO.	DESCRIPTION
1	5304526320	Shield, bottom duct
2	5304526367	Latch, door
3	5304526366	Cover, vent
4	5304526368	Rod, latch
5 #	5304526552	Motor Assembly, door latch/lock
6 #	5304530368	Blower Assembly
7	5304526538	Carrier Plate, assembly, w/duct
8 #	5304526480	Board Assembly, OVC control, w/bracket
9	5304530364	Bracket, conduit mtg.
10	5304530427	Shield, insulation, rear, upper
11	5304532474	Shield, top cover
19	5304531332	Control Panel, assembly, glass/steel, stainless, outer
21	5304523582	Housing, controller
62 #	5304535277	Terminal Block
62*	316001003	Screw, ground wire
62*	316205500	Nut, hex flange, 3/8 10-32
62*	5304528293	Screw, T20, 8-18 x .79
97 #	5304523590	PC Board, relay, rampup lighting
* #	5304525431	Harness, conduit assy., power connect
* #	5304531338	Harness, wiring, main
* #	5304530401	Harness, communication, MACS, OVC to LUX/PUX
* #	5304532099	Harness, wiring, wall oven, MACS
* #	5304532105	Harness, wiring, upper oven, DS
*	387872717	Screw, M4, 2 x 10, black, w/washer
*	5304526232	Screw, T-20 ST, 8-24 x 3/8

BODY

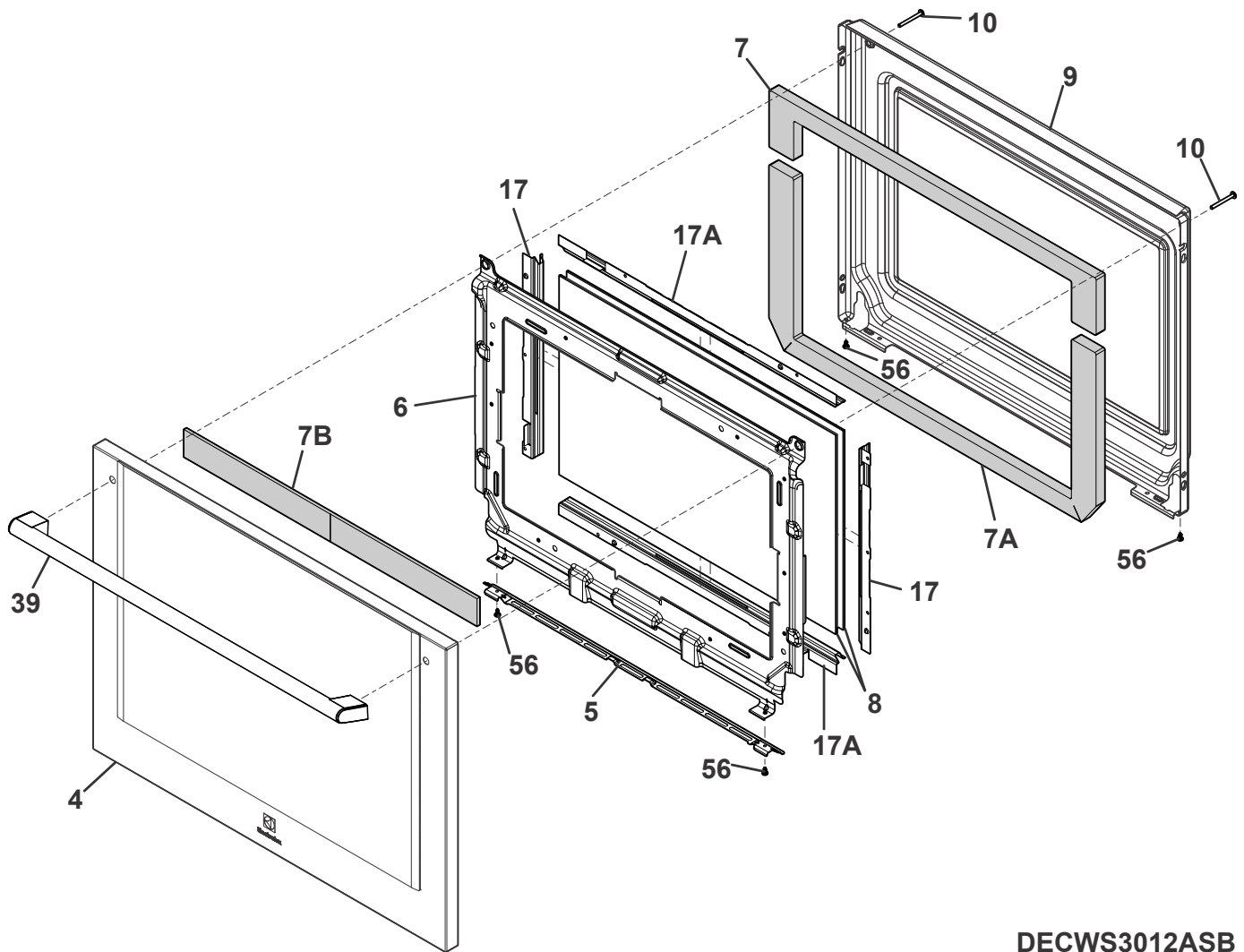


BECWS3012ASB

BODY

POS. NO	PART NO.	DESCRIPTION
1	5304526336	Panel, rear
6	5304532107	Rack, handled, flat
6A	5304530447	Rack Assembly, glide
6B	FRIGPEREAFT	FRIG AIR FRY TRAY PEREGRINE
7	5304528326	Tray, hidden bake
11	5304526242	Seal, oven door, charcoal
12 #	318394802	Switch, light, door
15 #	5304530343	Lamp Assembly, halogen, G9, 40W, 120V
29	316517600	Bumper, front, main
37 #	5304526310	Probe, oven sensor
53 #	807822606	Probe, food, red
54 #	5304532776	Receptacle, meat probe
58	5304532774	Insulation, wrapper, oven
58A	5304530428	Insulation, oven, rear
59 #	5304530445	Vent Assembly, vent tube, heated, w/catalyst
66 #	5304526370	Element, broil, 6 pass, 4000W, 240V
67 #	5304535239	Element, hidden bake, 8 pass, 67 #, 2500W
70	5304526314	Panel, side, exterior
71	5304526329	Shield, rear wire
72	5304526588	Cover, convection mtr
72*	5304526234	Screw, M4, 2 x 10, sheet metal, black
82	5304526311	Panel, exterior, bottom
83	5304530453	Bracket, base panel, mount
86	5304530350	Hinge, door, brown, soft close
86	5304530351	Hinge, door, brown, double spring
86*	5304526532	Screw, M4.2 x 9.5, black
107	5304526365	Cover, fan, midnight black, convection
107*	387872717	Screw, M4, 2 x 10, black, w/washer
109	5304525455	Blade, fan, convection
111	561231207	Nut, fan blade
125#	5304526375	Motor, convection fan
161#	5304526565	Element, convection, 3800W, 240V, rectangular
* #	5304525431	Harness, conduit assy., power connect
* #	5304531338	Harness, wiring, main
* #	5304532099	Harness, wiring, wall oven, MACS
* #	5304532105	Harness, wiring, upper oven, DS
* #	5304533451	Harness, wiring, tach-MDL-temp
*	5304530450	Anti Tip, kit
*	387856311	Screw, 4.2 x 10
*	5304526232	Screw, T-20 ST, 8-24 x 3/8
*	5304534695	Screw, self drill, M3.5 x 9.5

DOOR



DECWS3012ASB

DOOR

POS. NO	PART NO.	DESCRIPTION
4	5304530431	Door Assembly, outer, steel/glass, stainless, w/logo
5	5304530443	Bracket, door protection, lower
6	5304526282	Shield, wool, door
7	5304526656	Insulation, door, top
7A	5304526655	Insulation, door, bottom
7B	5304526530	Insulation, foil, door
8	5304526387	Glass, door, inner, SHR, PF
9	5304530464	Liner, oven door, midnight black
10	316433305	Screw, trus T20, 10-44 x 1.870, black, handle mtg.
17	5304526284	Bracket, glass pack, vertical
17A	5304526285	Bracket, glass pack, horizontal
39	5304523585	Handle, door, stainless
56	5304526234	Screw, M4, 2 x 10, sheet metal, black
*	5304526232	Screw, T-20 ST, 8-24 x 3/8

WIRING DIAGRAM

