

FRIGIDAIRE

Factory Parts Catalog

Product No.	FCFC241CAW
PNC/ELC	94300552700
Series	24" fs elec
Color	white
Market	Canada
Wiring Diagram	A02037601
Owner's Guide	808575810
Installation Instructions	809019202
Service Data Sheet	808532303

Frigidaire

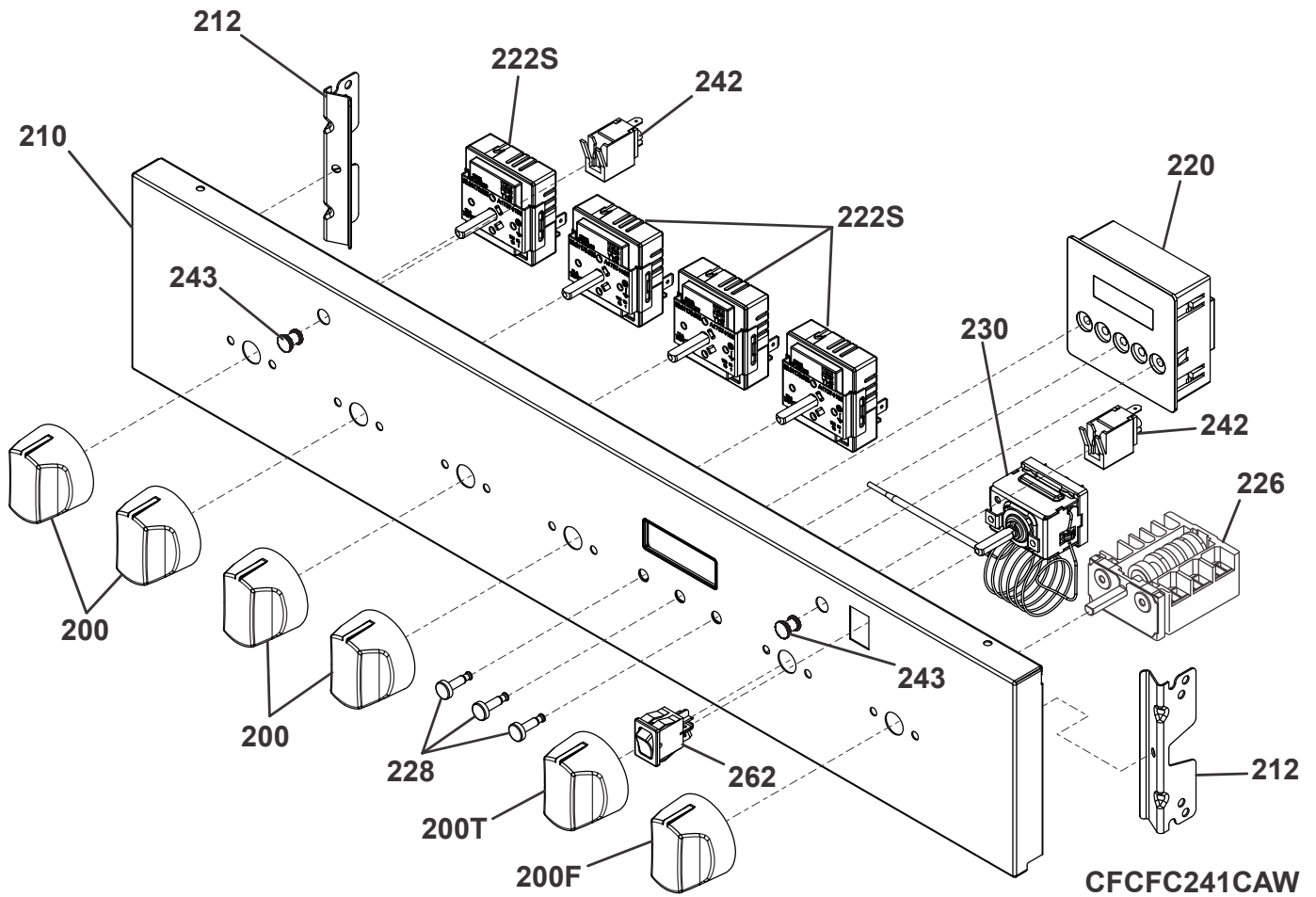
5855 TERRY FOX WAY
MISSISSAUGA, ONTARIO, CANADA L5V 3E4

Publication No.
5995730933
22/09/19
(EN/SERVICE/ECL)
377

24-INCH FREE- STANDING ELECTRIC RANGE

Model No.
FCFC241CA

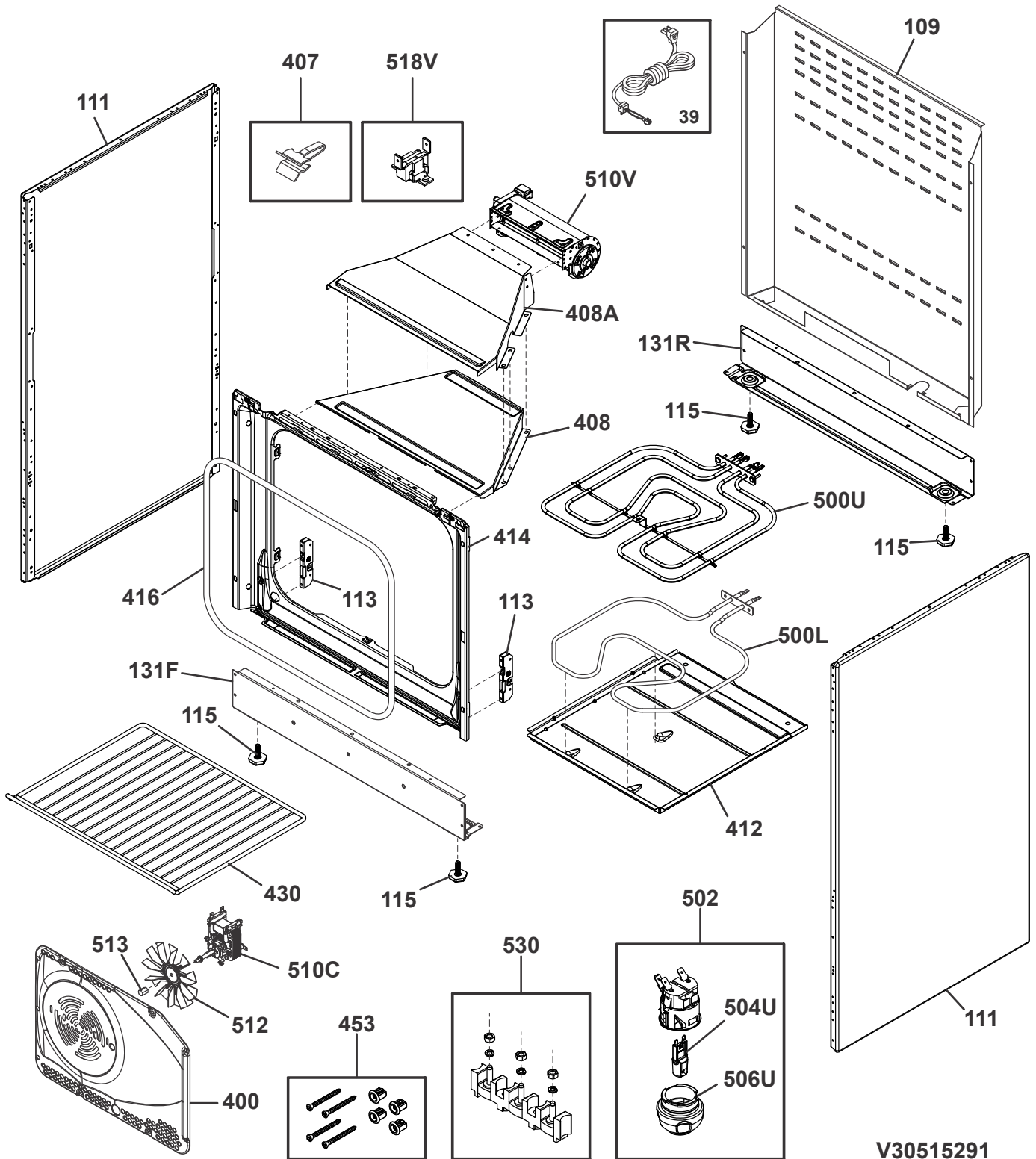
BACKGUARD



BACKGUARD

POS. NO	PART NO.	DESCRIPTION
200	A14169201	Knob, surface switch, white
200F	A19701104	Knob, selector, white, oven
200T	A19701204	Knob, temperature, white, oven
210	342840441	Panel, control, white
212	342610701	Support, control panel
220#	A02169805	PC Board, assembly, user interface
222S	A17374103	Switch, surface unit
226#	342153201	Switch, oven selector
228	342557313	Knob, user interface, white
230#	A18548401	Thermostat, oven
242#	318369501	Lamp, indicator
243	318044511	Lens, indicator light
262#	A03134601	Switch, oven lamp, white

BODY

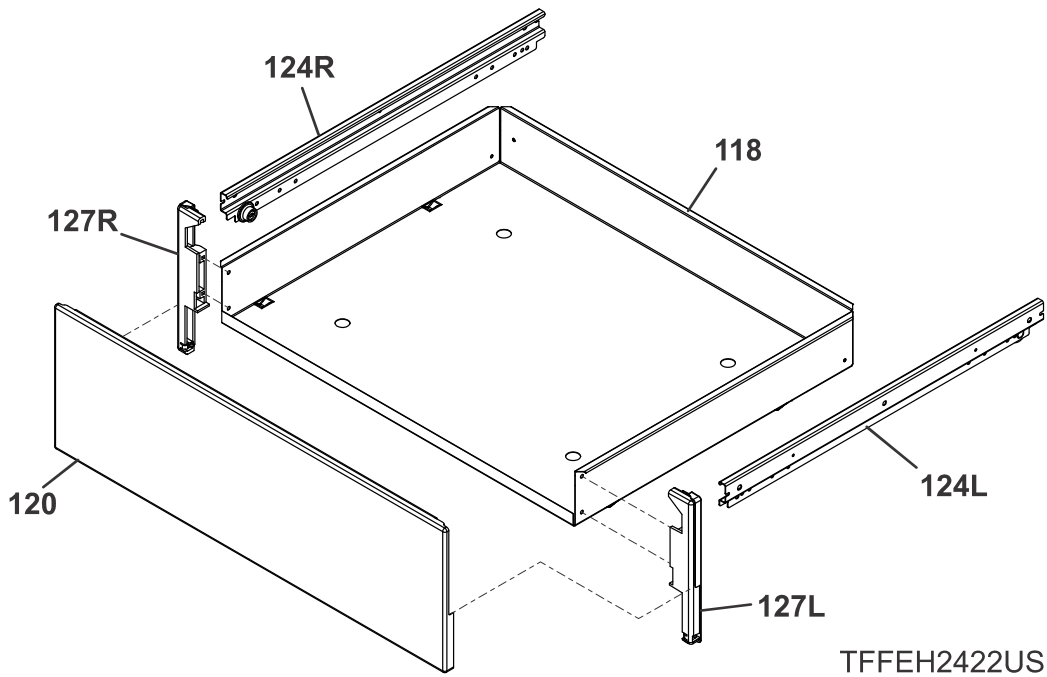
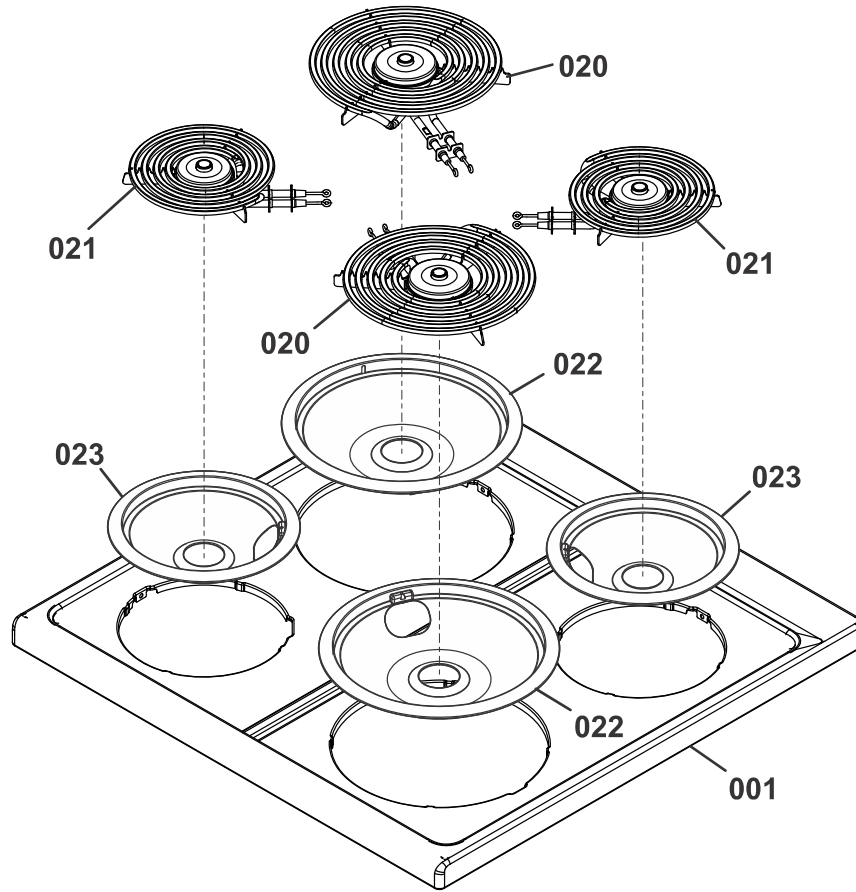


V30515291

BODY

POS. NO	PART NO.	DESCRIPTION
39 #	318113111	Cord, electric
109	140021726041	Panel, rear
111	A02114902	Panel, side, white
113	A05102101	Receptacle, hinge, door
115	A02244101	Foot, cabinet, adjustable
131F	A02827002	Toe Plate, front, white
131R	A02827004	Panel, filler, lower rear
400	342179026	Panel, back, convection fan
407	354305101	Clip, bulb, oven thermostat
408	353195608	Air Channel, lower
408A	353223903	Cover, air channel
412	342182502	Cover, lower element
414	342397603	Frame, oven front
416	357732201	Seal, oven door
430	354659502	Rack, oven, 422.8x347mm
453	5029303600	Kit, bushing, (4 pcs), w/screws
500L	A04163901	Element, heating, lower
500U	A04164101	Element, heating, upper, COMBI
502#	A07202302	Lamp Assembly, oven, w/bulb
504U	808564103	BULB, oven lamp, G9, 25W, 120V
506U	A21715401	Lens, oven lamp
510C	A11046301	Motor, convection fan
510V	808962602	Blower Assembly, cooling, 13W, 240V
512	358196098	Blade, convection fan
513	354321001	Nut, fan blade, convection
518V	330208111	Thermostat, protection, overheating
530#	405538919	Kit, terminal block
*	342176001	Support, corner
*	342930902	Weight, counter

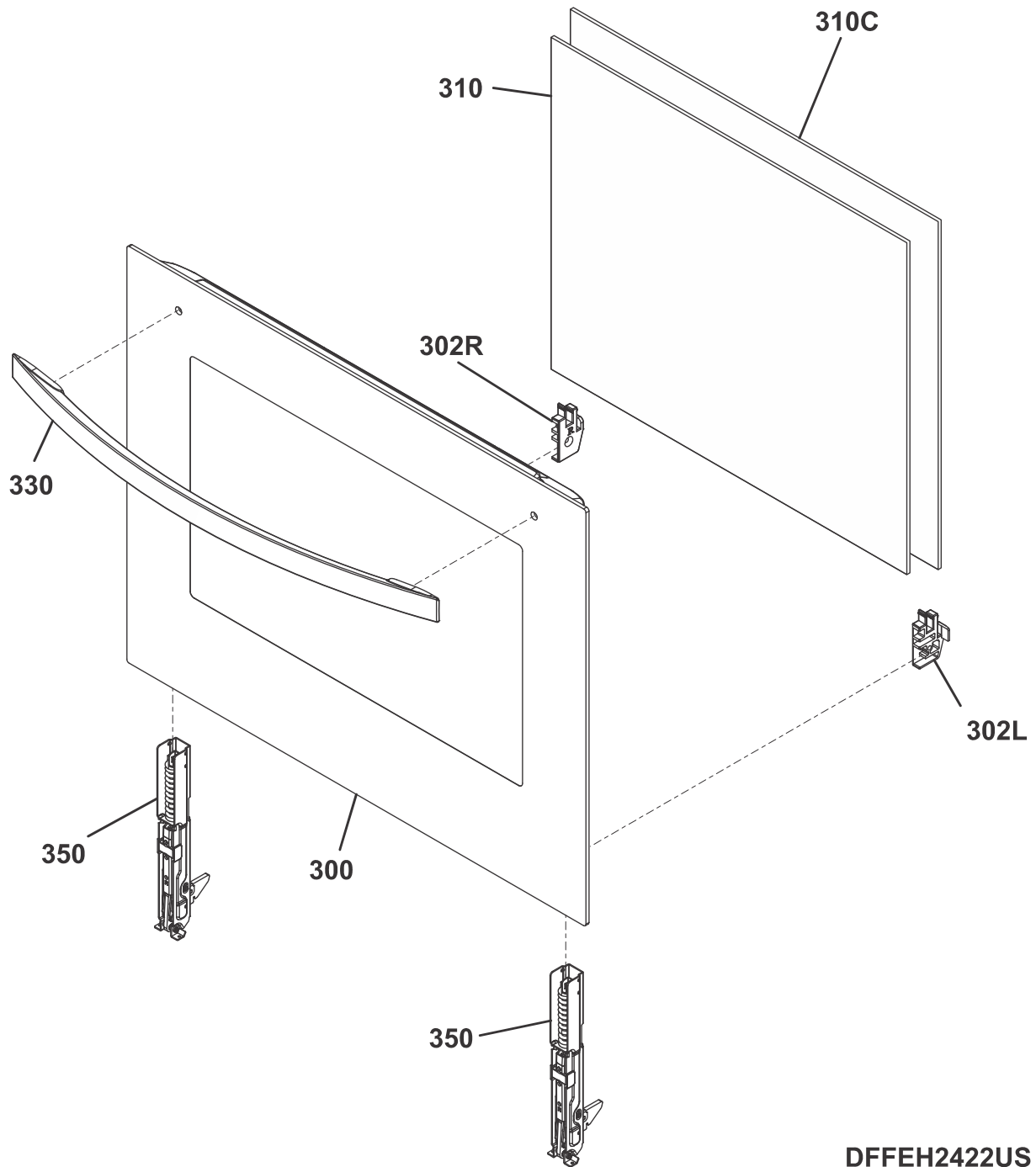
TOP/DRAWER



TOP/DRAWER

POS. NO	PART NO.	DESCRIPTION
001	A02480703	Cook Top, white
001*	356520607	Seal, cooktop
020#	A13197402	Element, surface heat, 150mm
021#	A13197401	Element, surface heat, 190mm
022	318067075	Pan-surface element, large, black, (2)
023	318067076	Pan-surface element, small, black, (2)
118	342175101	Drawer, tray
118*	342553001	Wheel, drawer, back
118*	342553101	Wheel, drawer, front
118*	342557201	Axle, drawer
120	342174603	Panel, drawer front, white
124L	342817707	Glide, drawer, LH
124R	342817708	Glide, drawer, RH
127L	A14042601	Support, drawer, LH
127R	A14042602	Support, drawer, RH
*	342485201	Bolt, burner support, M4x9 PH
*	342583401	Holder, HOB

DOOR

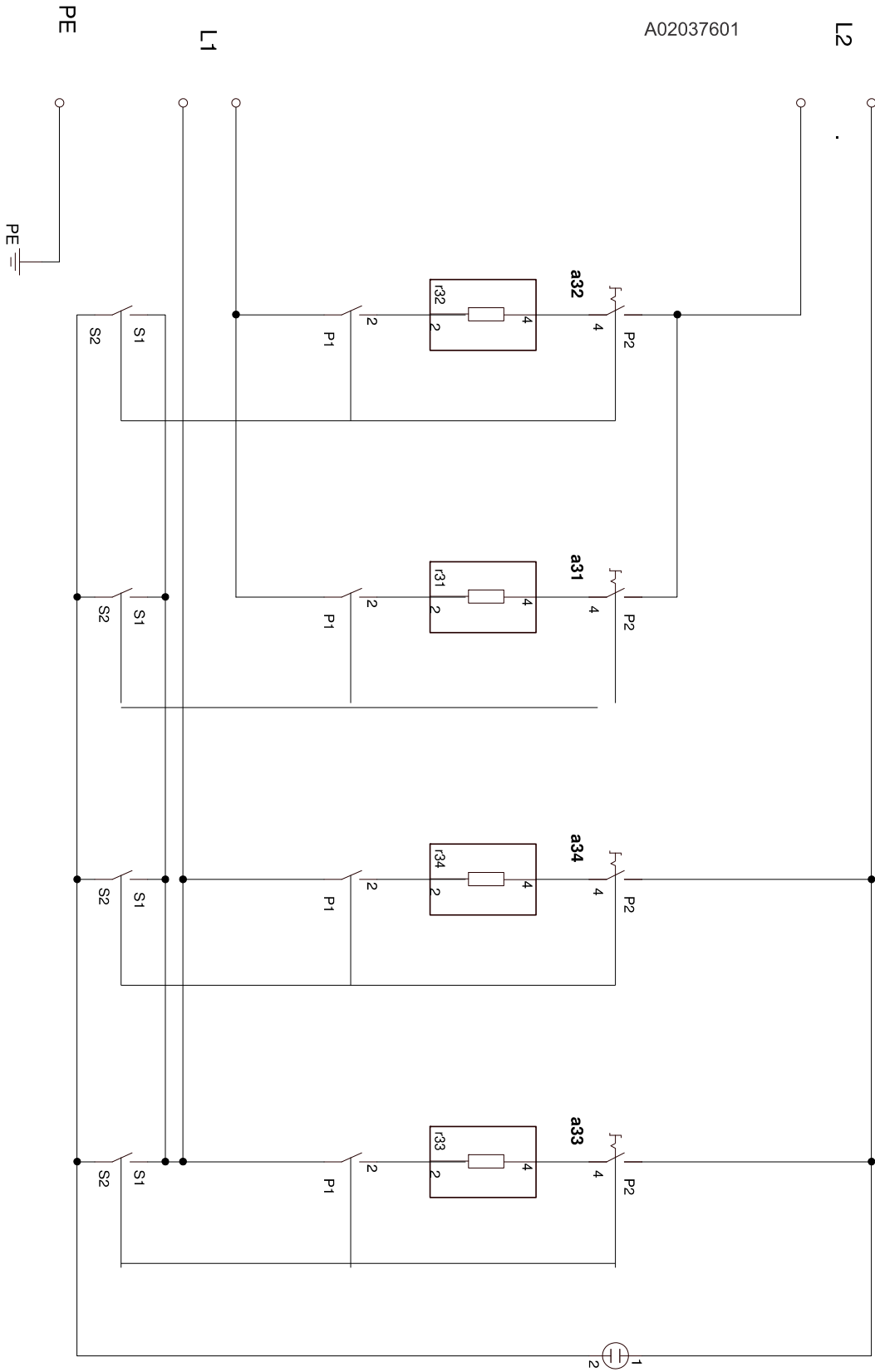


DFFEH2422US

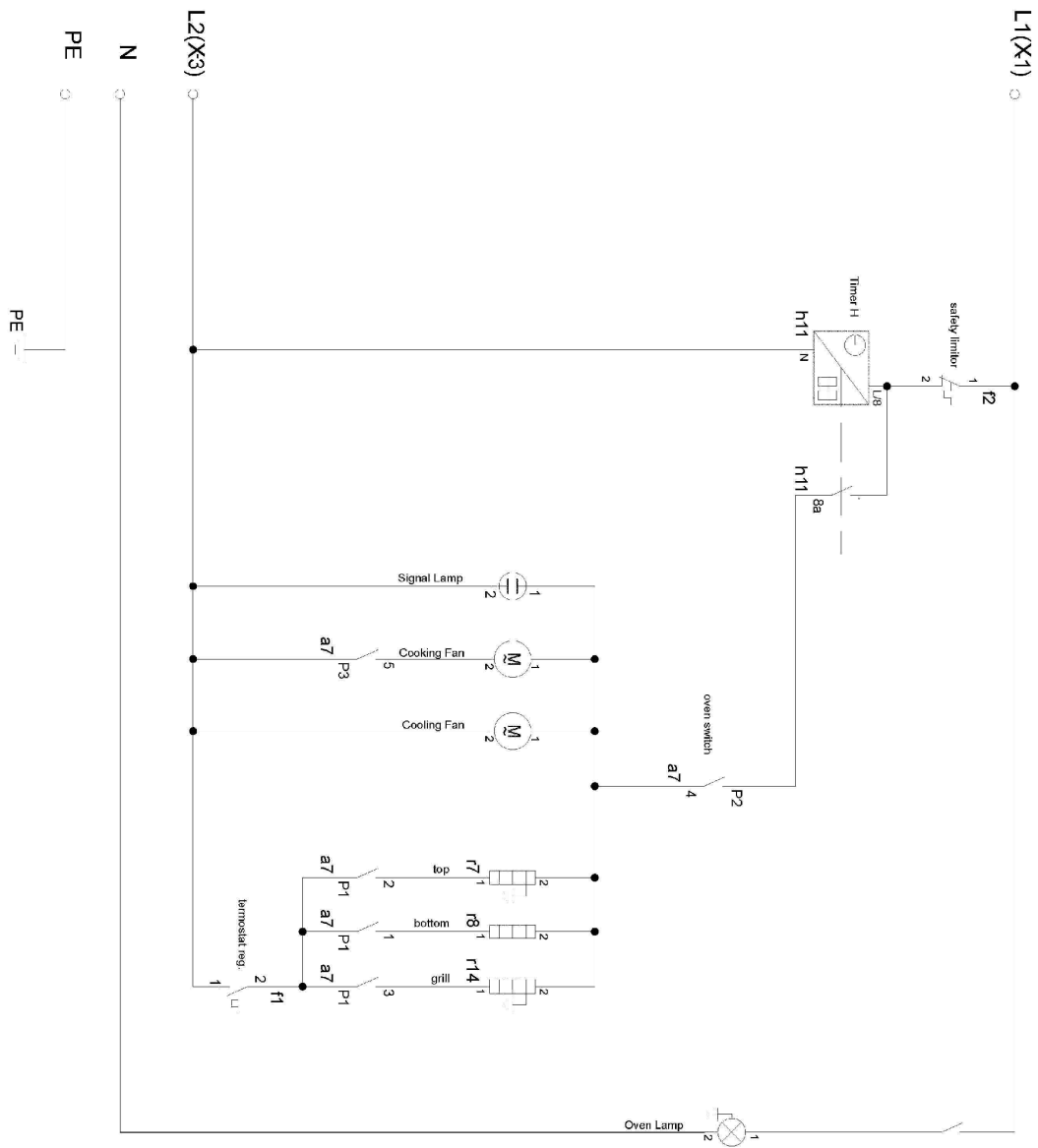
DOOR

POS. NO	PART NO.	DESCRIPTION
300	342841147	Glass, door front, black
302L	A03195502	Bracket, glass holder, LH
302R	A03195501	Bracket, glass holder, RH
310	356150302	Glass, door, 474x383mm, inner
310C	342934103	Glass, door, 490x401.5mm, inner
330	A00206002	Handle, door, white
330*	807031902	Bolt, handle, 4x16 T20
350	A12611602	Hinge, oven door

WIRING DIAGRAM



WIRING DIAGRAM



A02037001