



FRIGIDAIRE

Factory Parts Catalog

Product No.	PCWM3080AFA
	Professional
Series	30" MW/OV Combo
Color	stainless
Market	North America
Owner's Guide	A22491703
Installation Instructions	807611007
Service Data Sheet	A22491803
Quick Start Guide	A22491913

Frigidaire

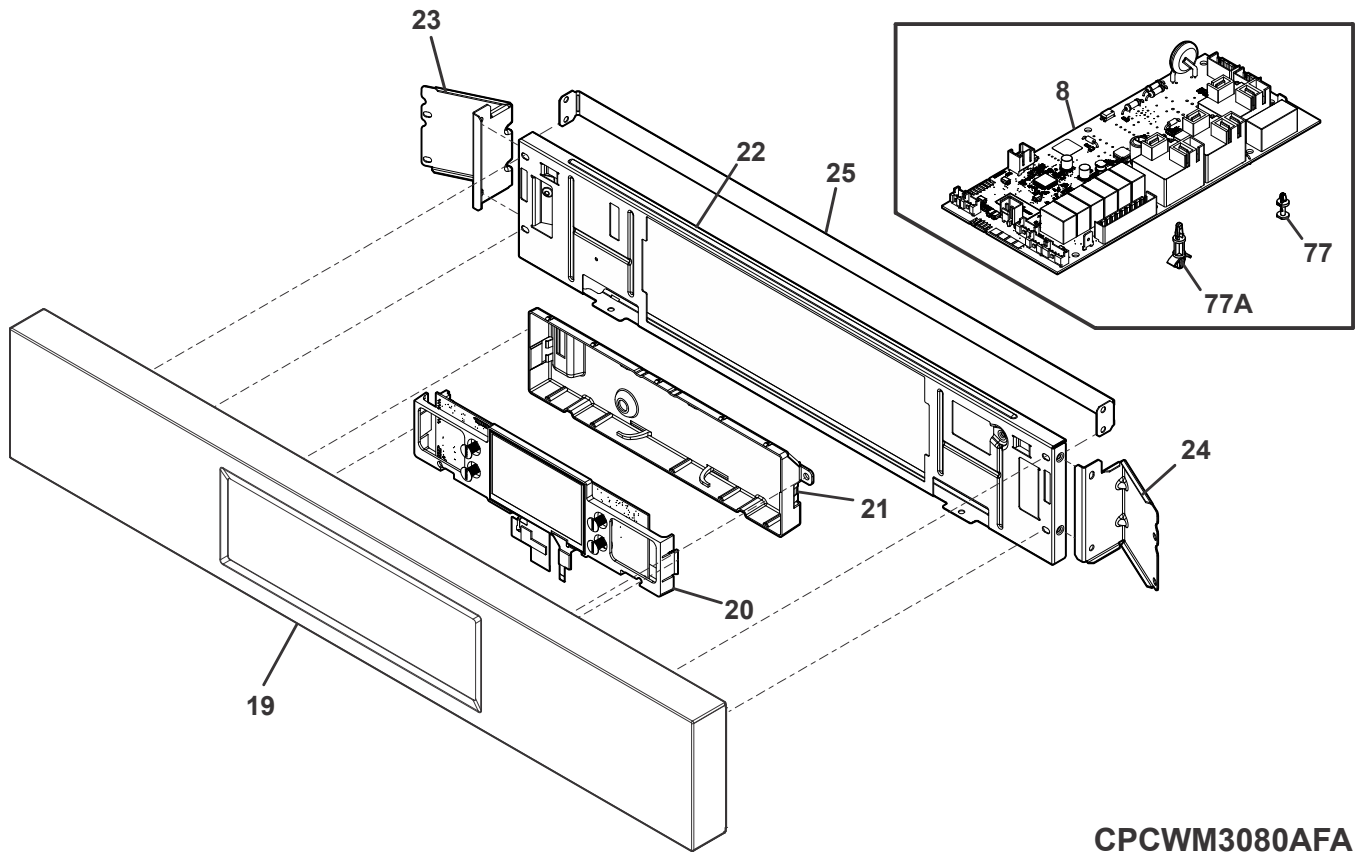
P.O. BOX 8020
CHARLOTTE, NC 28262

30" WALL OVEN \ MICROWAVE COMBO

Model No.
PCWM3080A

Publication No.
5995734414
23/05/15
(EN/SERVICE/ECL)
377

CONTROL PANEL

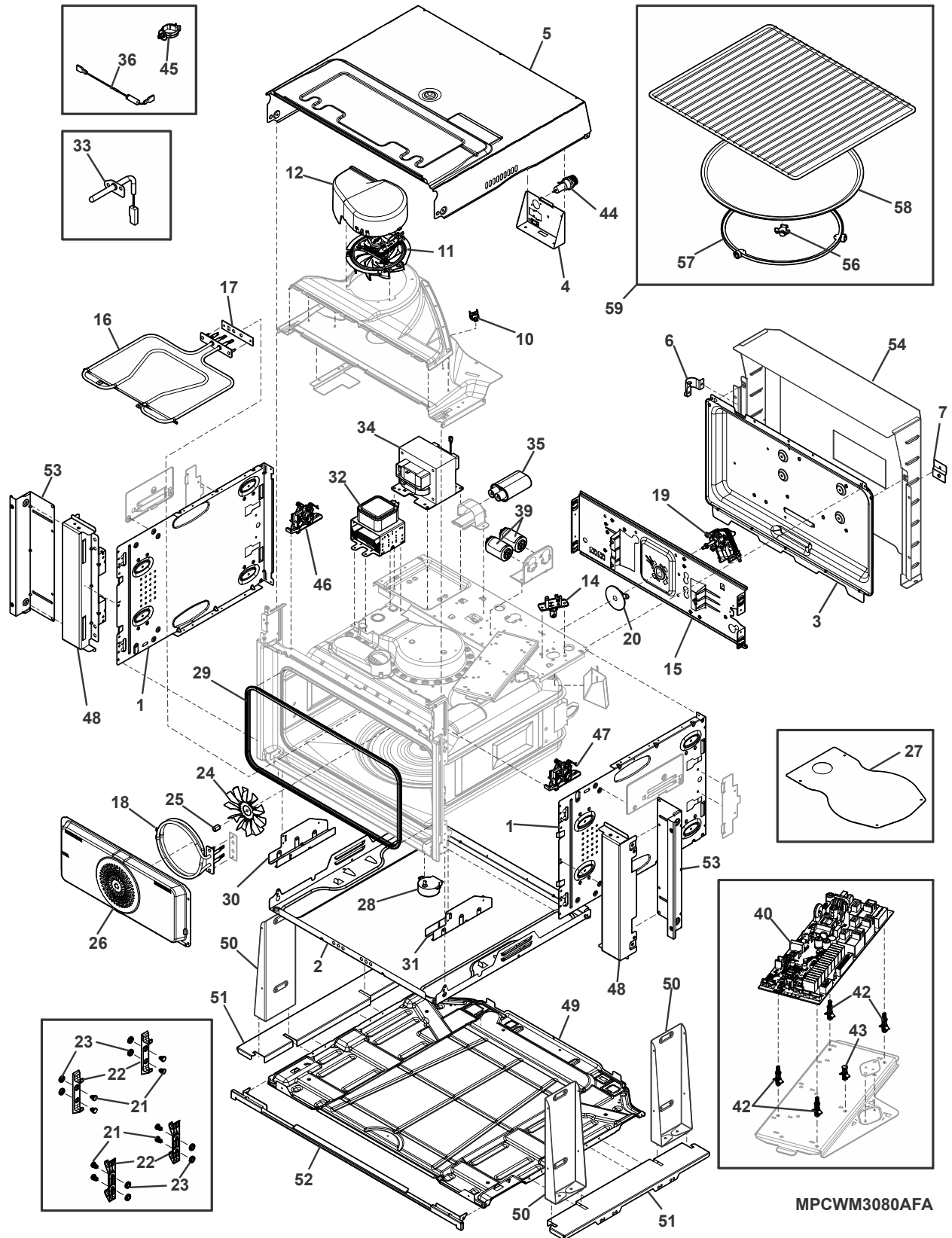


CPCWM3080AFA

CONTROL PANEL

POS. NO	PART NO.	DESCRIPTION
8 #	5304530411	Circuit Board, OVC
19	5304530425	Control Panel, assembly, steel/glass, stainless
20 #	5304530394	Controller, electronic, oven, UI720M
21	5304523582	Housing, controller
22	A16358901	Bracket, support, control panel
23	5304530392	Bracket, control panel, LH
24	5304530393	Bracket, control panel, RH
25	5304530446	Bracket, EMC shield
77	5304530451	Spacer, standoff, OVC
77A	316114100	Spacer
* #	5304535368	Harness, conduit assy, power connect
* #	5304530401	Harness, communication, MACS, OVC to LUX/PUX
* #	5304530448	Harness, DS MDL, lower oven, hall effect
*	387872717	Screw, M4, 2 x 10, black, w/washer
*	5304526232	Screw, T-20 ST, 8-24 x 3/8

MICROWAVE OVEN

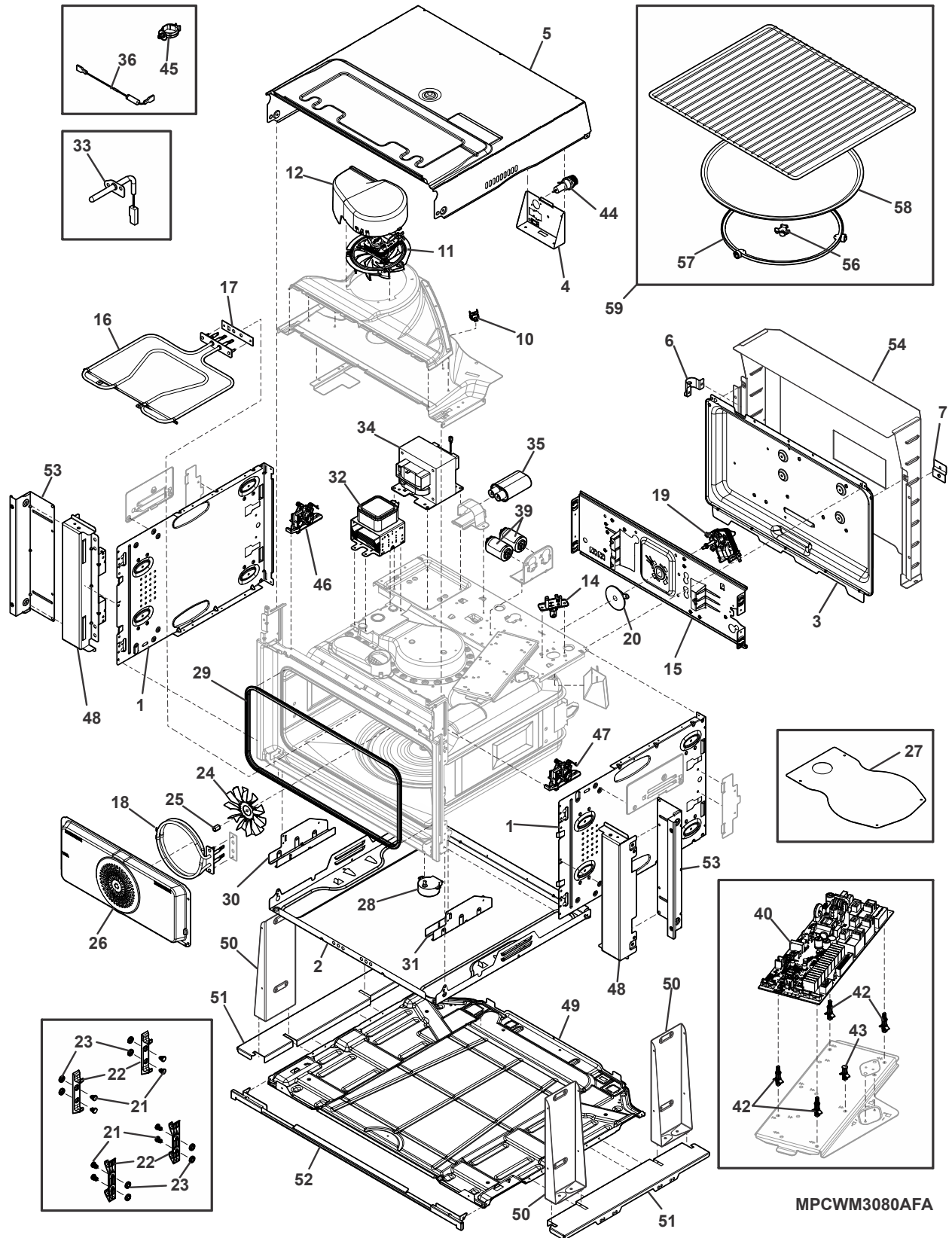


MPCWM3080AFA

MICROWAVE OVEN

POS. NO	PART NO.	DESCRIPTION
1	555010801	Panel, side
2	A19743502	Base, plate, bottom
3	A18591502	Panel, oven back
4	A13873001	Support, connection box
5	A05908717	Housing, top, complete
6	5304530398	Bracket, link
7	5304530364	Bracket, conduit mtg.
7*	5304532068	Washer, flat, zinc plated
10 #	A01802605	Thermostat, safety, 145 deg, yellow, klixon
11 #	A18653201	Cooling Fan, assembly, 22W, 120V
12	A13630003	Duct, magnetron
14 #	A15722702	Lamp Assembly, G9, 40W, 120V
15	A00843201	Mounting Plate, back
16 #	A08934211	Element, heating, upper, grill
16*	561045004	Nut, heat element, upper
17	A13375801	Bracket, heating element
18 #	A08933932	Element, heating, convection fan
19 #	555027103	Motor, convection fan
20	555033100	Shield, convection fan, choke
21	808373901	Pin, support, wire shelf
22	A18262002	Support, wire shelf
23	A19949501	Washer
24	555023101	Fan Blade, convection
25	561231207	Nut, fan blade
26	A07296807	Cover, convection fan, back
27	A16295701	Cover, mica
28 #	A13805506	Motor, turntable
29	807177101	Gasket, door, microwave
30	387886701	Support, LH Hinge
31	387886702	Support, RH Hinge
32 #	555030400	Magnetron
32*#	555031101	Sensor, magnetron, NTC
33 #	555044200	Sensor, PT500
34 #	555030502	Transformer, 60HZ, 120V
35 #	315795903	Capacitor, 60HZ
36 #	555042802	Diode, high voltage
39 #	A20022801	Filter, voltage, RFI
40 #	A18493801	PC Board, power, OVC-P
42	330647300	Clip, PC board, (4)
43	330647301	Clip, PC board, flat top
44 #	318647300	Fuse Holder, assembly, 412 #, 20A, w/fuse
45	387963800	Holder, cable, round
46 #	A16919201	Interlock, assembly, LH safety, w/switch
47 #	A16919301	Interlock, assembly, RH safety, w/switch
48	5304525122	Filler Bracket, front, black
49	5304530352	Panel, exterior, bottom, upper oven
50	5304534066	Support, side
51	5304530403	Cover, side
52	5304530376	Trim, filler, bottom
53	5304530384	Bracket, trim filler, black, front
54	5304534078	Cover, cable guard

MICROWAVE OVEN

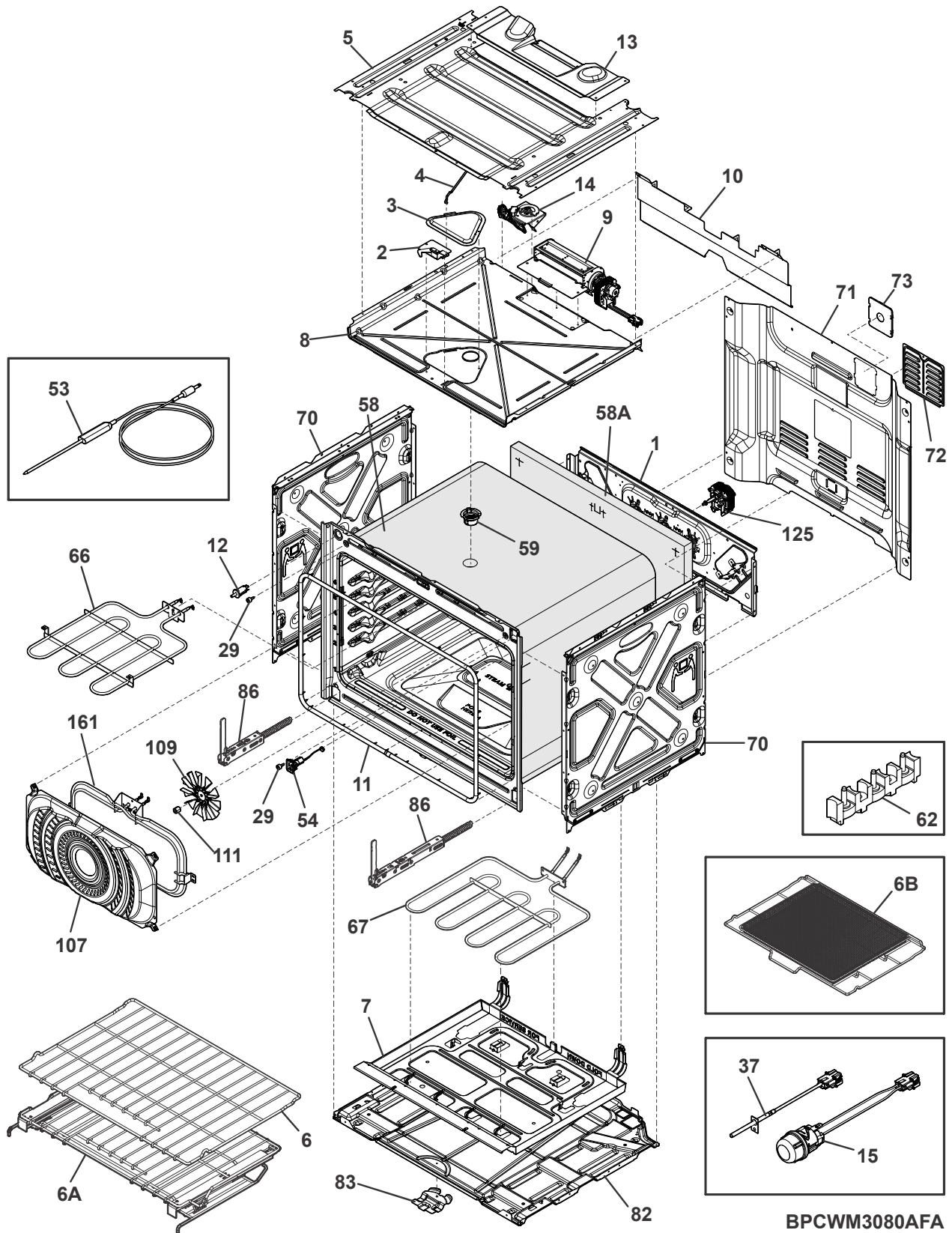


MPCWM3080AFA

MICROWAVE OVEN

POS. NO	PART NO.	DESCRIPTION
54*	561344207	Screw, achrolyte, M4, 2x7
56	A15654501	Coupler, turntable
57	A13881201	Roller Assembly, turntable, spider
58	A13804901	Turntable, glass, round
59	A18994801	Accessory Kit, microwave, w/tray-rack
* #	A17118015	Harness, wiring, HV transformer, w/triac sensor
* #	A17118003	Harness, wiring, OVC-P/J7, DFSL/S4, power board, to sensor
* #	A17118006	Harness, wiring, OVC-P/MACS1, power board, to panel
* #	A17118014	Harness, wiring, OVC-P/J3, PT500, power board, to sensor
* #	A17118016	Harness, wiring, UI-MACS/X1, UI board, to sidekick
* #	A17118021	Harness, wiring, OVC-P/MACES2, power board, to UI board
* #	5304530385	Harness, wiring, microwave, low voltage
*	5029617300	Clip Kit, power board, (11 clip pack)
*	349475501	Screw, AB PAN T20, N6 x 1/4, (11)
*	387854510	Screw, DIN 7981, 4, 2 x 9, 5, (9)
*	387872717	Screw, M4, 2 x 10, black, w/washer
*	405522329	Screw Kit, T20, 4, 2 x 16, (4 pack)
*	5304526232	Screw, T-20 ST, 8-24 x 3/8

LOWER OVEN

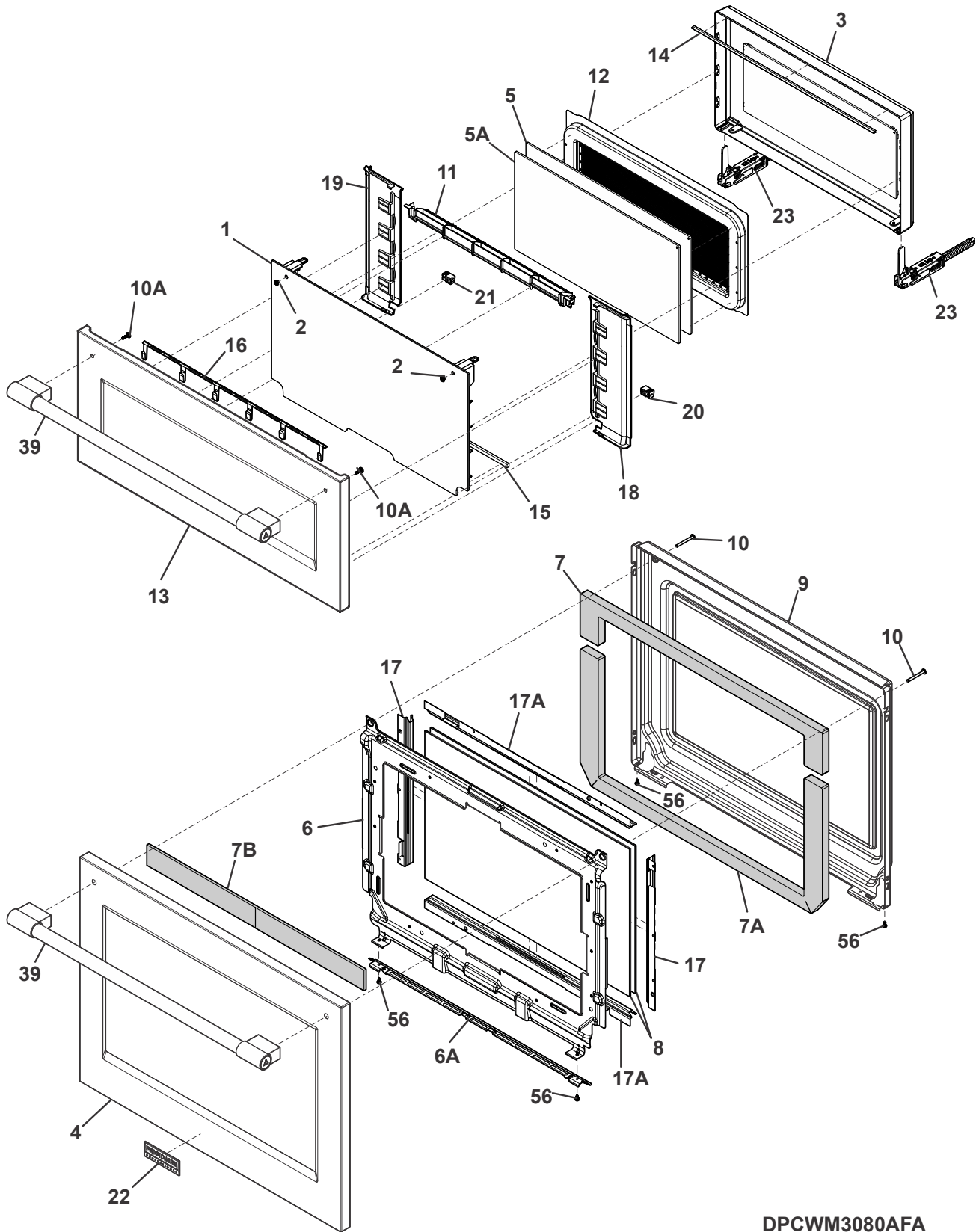


BPCWM3080AFA

LOWER OVEN

POS. NO	PART NO.	DESCRIPTION
1	5304526336	Panel, rear
2	5304526367	Latch, door
3	5304526366	Cover, vent
4	5304526368	Rod, latch
5	5304526313	Panel, carrier mid, lower DWO, cooling
6	5304532107	Rack, handled, flat
6A	5304530447	Rack Assembly, glide
6B	FRIGPEREAFT	FRIG AIR FRY TRAY PEREGRINE
7	5304528326	Tray, hidden bake
8	5304526320	Shield, bottom duct
9 #	5304530369	Blower Assembly, lower oven
10	5304530426	Shield, insulation, lower oven, DWO
11	5304526242	Seal, oven door, charcoal
12 #	318394802	Switch, light, door
13	5304526495	Shield, baffle, lower DWO, cooling
14 #	5304526552	Motor Assembly, door latch/lock
15 #	5304530343	Lamp Assembly, halogen, G9, 40W, 120V
29	316517600	Bumper, front, main
37 #	5304526310	Probe, oven sensor
53 #	807822606	Probe, food, red
54 #	5304534016	Receptacle, meat probe
58	5304530429	Insulation, oven, wrapper
58A	5304530428	Insulation, oven, rear
59	5304526450	Tube, vent catalyst
62 #	5304535277	Terminal Block
62*	316001003	Screw, ground wire
62*	316205500	Nut, hex flange, 3/8 10-32
62*	5304528293	Screw, T20, 8-18 x .79
66 #	5304526370	Element, broil, 6 pass, 4000W, 240V
67 #	5304535239	Element, hidden bake, 8 pass, 67 #, 2500W
70	5304526314	Panel, side, exterior
71	5304526330	Shield, rear wire, lower DWO
71*	139022101	Insulation, noise dampening
72	5304526588	Cover, convection mtr
72*	5304526234	Screw, M4, 2 x 10, sheet metal, black
73	5304526551	Cover, anti vibration
82	5304526311	Panel, exterior, bottom
83	5304530453	Bracket, base panel, mount
86	5304530348	Hinge, door, purple
86	5304530349	Hinge, door, purple, 2 spring
86*	5304526532	Screw, M4.2 x 9.5, black
107	5304526365	Cover, fan, midnight black, convection
107*	387872717	Screw, M4, 2 x 10, black, w/washer
109	5304525455	Blade, fan, convection
111	561231207	Nut, fan blade
125#	5304526375	Motor, convection fan
161#	5304526565	Element, convection, 3800W, 240V, rectangular
* #	5304535368	Harness, conduit assy, power connect
* #	5304530389	Harness, wiring, main
* #	5304530448	Harness, DS MDL, lower oven, hall effect
* #	5304530449	Harness, wiring, lower oven, door switch
* #	5304530459	Harness, wiring, lower, main
*	5304530450	Anti Tip, kit
*	387856311	Screw, 4.2 x 10
*	5304526232	Screw, T-20 ST, 8-24 x 3/8

DOORS

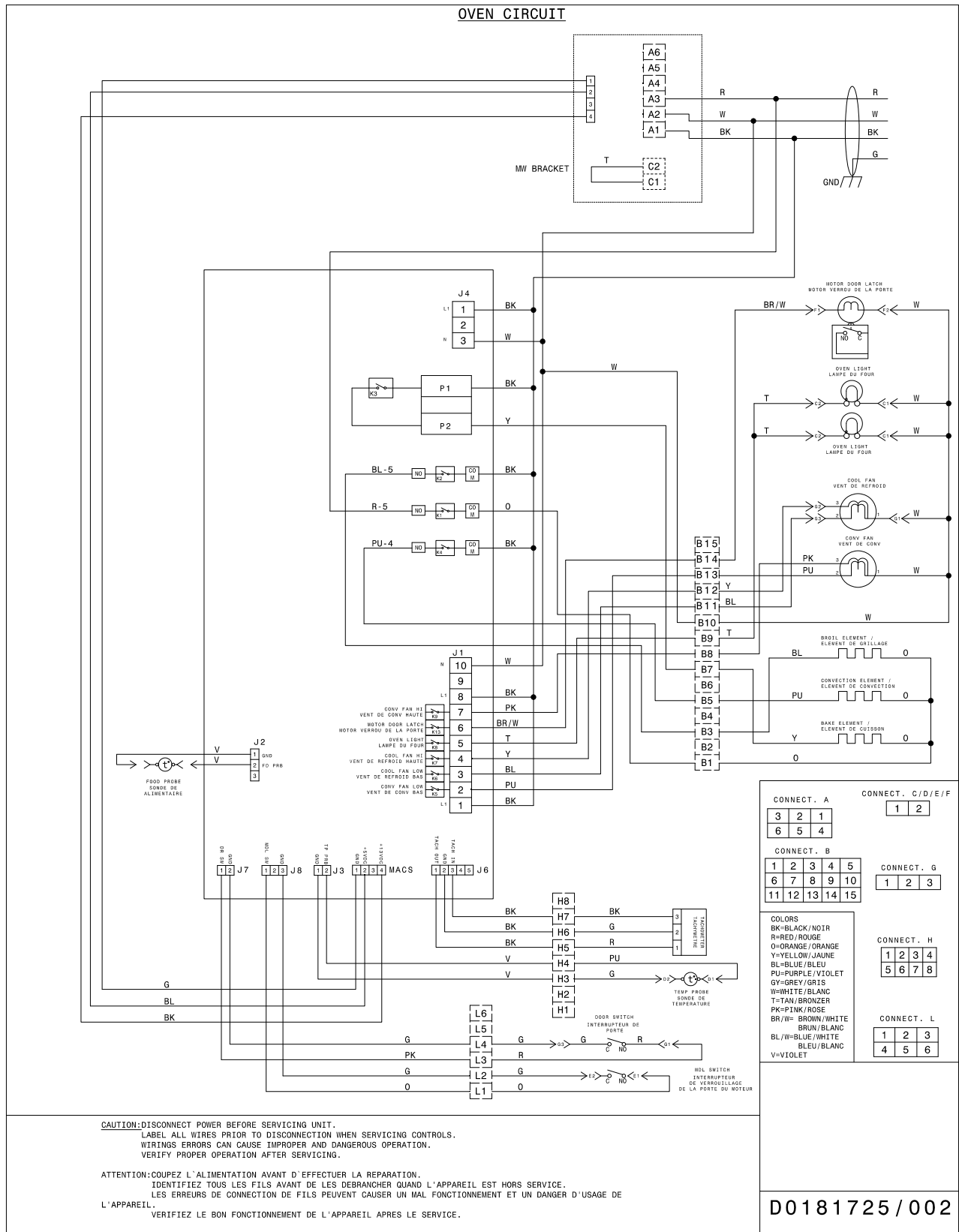


DPCWM3080AFA

DOORS

POS. NO	PART NO.	DESCRIPTION
1	555118433	Door Glass, assembly, front, microwave
2	330158601	Spacer, door handle
3	561626486	Door frame, inner, microwave, w/glass
4	5304532097	Door Assembly, outer, steel/glass, stainless
5	807625502	Glass, door, inner, w/graphics
5A	555033602	Glass, door, inner
6	5304526282	Shield, wool, door
6A	5304530443	Bracket, door protection, lower
7	5304526656	Insulation, door, top
7A	5304526655	Insulation, door, bottom
7B	5304526530	Insulation, foil, door
8	5304526387	Glass, door, inner, SHR, PF
9	5304530464	Liner, oven door, midnight black
10	316433307	Screw, WH SIMS T, 10-14 x 68.34, handle mtg.
10A	5303310510	Screw, 10-24 x 0.625
11	A06645500	Cover, door glass, top, separator
12	555040920	Inner Door, assembly, microwave
13	5304530415	Door Assembly, outer, stainless, microwave
14	808082001	Gasket, door cover, microwave
15	808140001	Tape, drip, front, door glass
16	5304525161	Cover, door top, plastic
17	5304526284	Bracket, glass pack, verticle
17A	5304526285	Bracket, glass pack, horizontal
18	5304530399	Cover, door column, RH
19	5304530400	Cover, door column, LH
20	5304525159	Stopper, plastic, RH door
21	5304525160	Stopper, plastic, LH door
22	809108704	Badge, Frigidaire Pro
23	A06683602	Hinge, door, microwave
39	5304530408	Handle, door, stainless
56	5304526234	Screw, M4, 2 x 10, sheet metal, black
*	349479701	Screw, PT T20, 4 x 10, (8)
*	5304526232	Screw, T-20 ST, 8-24 x 3/8

WIRING DIAGRAM



WIRING DIAGRAM

