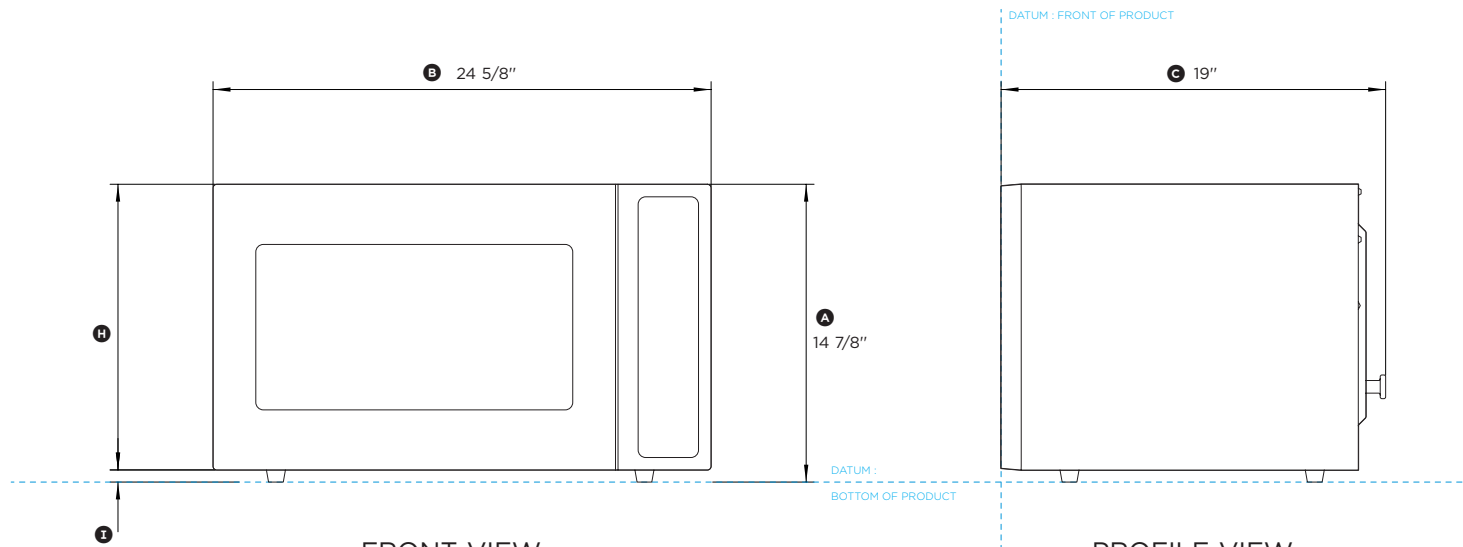
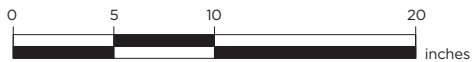


PLAN VIEW



FRONT VIEW

PROFILE VIEW



Model no:

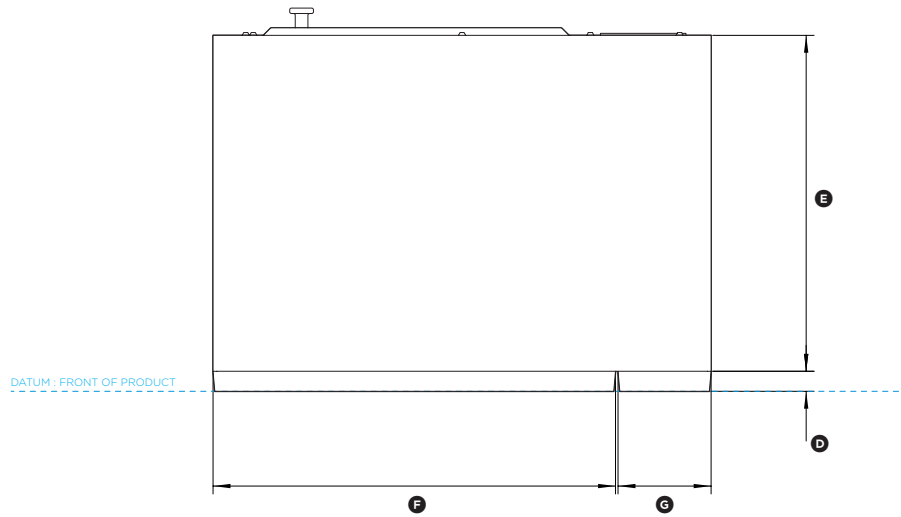
CMO24SS2 (refer page 2 for metric measurements)

Product Dimensions	in
Ⓐ Overall height of microwave	14 7/8"
Ⓑ Overall width of microwave	24 5/8"
Ⓒ Overall depth of microwave	19"
Ⓓ Depth of front panel	1"
Ⓔ Depth of chassis	16 3/4"
Ⓕ Width of door	19 7/8"
Ⓖ Width of control panel	4 5/8"
Ⓗ Height of chassis	14 1/4"
Ⓘ Height from bottom of chassis to bottom of product	5/8"

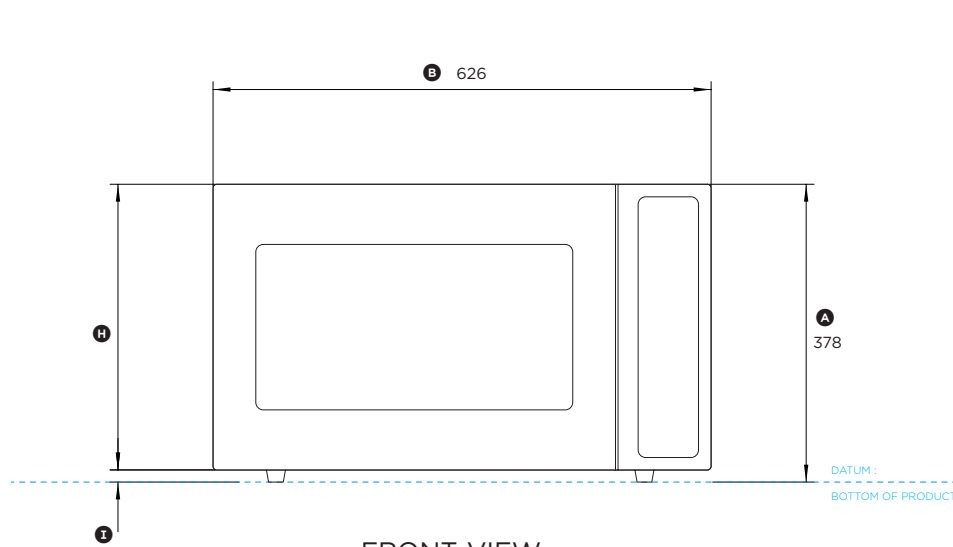
INDICATES PRODUCT / CABINETRY DATUM -----

DATE: 20.08.2015

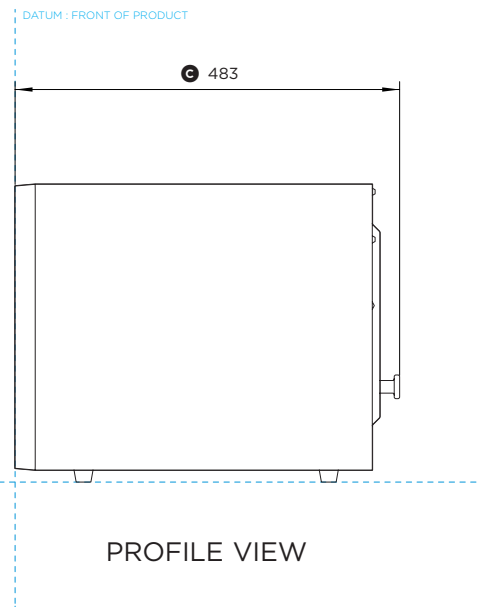
IMPORTANT NOTE: Throughout this guide, dimensions may vary by ±2mm (3/32"). Please read the installation manual for detailed information on installing the product. www.fisherpaykel.com



PLAN VIEW



FRONT VIEW



PROFILE VIEW



Model no:

CMO24SS2 (refer page 1 for imperial measurements)

Product Dimensions	mm
Ⓐ Overall height of microwave	378
Ⓑ Overall width of microwave	626
Ⓒ Overall depth of microwave	483
Ⓓ Depth of front panel	25
Ⓔ Depth of chassis	425
Ⓕ Width of door	507
Ⓖ Width of control panel	116
Ⓜ Height of chassis	362
Ⓨ Height from bottom of chassis to bottom of product	16

INDICATES PRODUCT / CABINETRY DATUM -----

DATE: 20.08.2015

IMPORTANT NOTE: Throughout this guide, dimensions may vary by ±2mm (3/32"). Please read the installation manual for detailed information on installing the product. www.fisherpaykel.com