

# 48-Inch Dual-Fuel Steam Range with Embedded Griddle

CONTEMPORARY

**dacor**



DOP48C96DLS/DA – Silver Stainless, Natural Gas, Liquid Propane

DOP48C96DLM/DA – Graphite, Natural Gas, Liquid Propane

## Features & Benefits

- Real Steam™ oven
- Dual Four-Part Pure Convection system
- SimmerSear™ brass burners
- BrightVue™ LED & halogen lighting
- Motorized 7-inch LCD control panel with SmartThings Wi-Fi connectivity
- Embedded electric griddle
- Chef Mode guided cooking
- Auto Connect to compatible ventilation through Bluetooth
- External steam generator
- Digital temperature probe
- Self-clean oven
- SoftShut™ hinges

## Weights & Dimensions

NET WEIGHT (LBS.)	564
SHIPPING WEIGHT (LBS.)	650
PRODUCT DIMENSIONS (W X H X D IN INCHES)	47 7/8 x 36 1/8 x 27 1/2

## Technical Details

ELECTRICAL REQUIREMENT	240V, 60 Hz, 50A
AVAILABLE FUEL TYPES	Natural Gas, Liquid Propane
LP CONVERSION KIT (INCLUDED)	Yes

## Controls

CONTROL TYPE	7" Motorized LCD Touchscreen & Knobs
CHEF MODE GUIDED COOKING	Yes
ILLUMINA™ KNOBS	White
WI-FI + SMARTTHINGS	Yes
BLUETOOTH AUTO CONNECT VENTILATION	Yes
CONTROL SHOWER LIGHTING	Yes
CLOCK	Yes
DELAY START	Yes
KITCHEN TIMER	Yes
CHILD LOCK	Yes
SABBATH MODE	Yes

## Oven

OVEN CAPACITY (CU. FT.)	4.8 (Large Oven) / 1.8 (Small Oven)
CONVECTION	Dual Four-Part Pure
STEAM	Real Steam™
BAKE ELEMENT	3,000W - 8 Pass (Large Oven), 1,000W (Small Oven)
BROIL ELEMENT	4,400W - 10 Pass (Large Oven), 2,400W (Small Oven)
CONVECTION ELEMENT	2 x 1,300W (Large Oven), 2,000W (Small Oven)
INSTANTHEAT (NO PREHEAT)	Yes
TEMPERATURE PROBE	Yes
LIGHTING	BrightVue™ - LED & Halogen
SELF-CLEAN	Self-Clean, GreenClean™
SOFTSHUT™	Yes

## Cooktop

NUMBER OF BURNERS	6 Brass & Griddle
PERMA-FLAME™ (AUTO RE-IGNITION)	Yes
LEFT FRONT (BTU)	18,000
LEFT REAR (BTU)	16,000
CENTER FRONT (BTU)	22,000
CENTER REAR (BTU)	9,000
RIGHT FRONT (BTU)	16,000
RIGHT REAR (BTU)	16,000
BRASS BURNER CAPS	Yes
GRIDDLE	1,400W
WOK RING	Yes

## Warranty

FULL COVERAGE	2 Years
---------------	---------

DOP48C96D 48-Inch Dual-Fuel Steam Range with Embedded Griddle

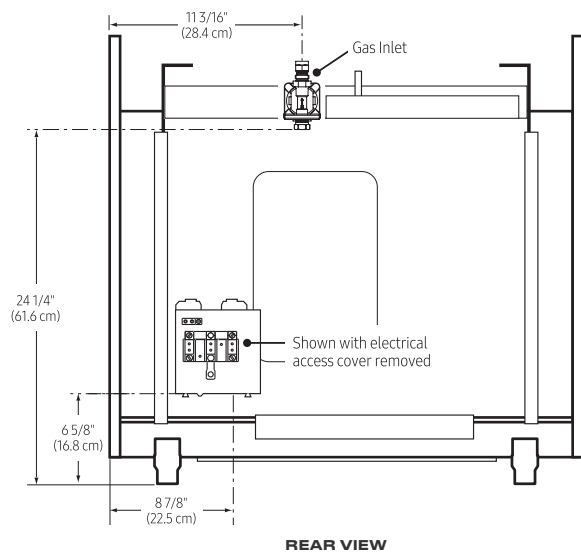
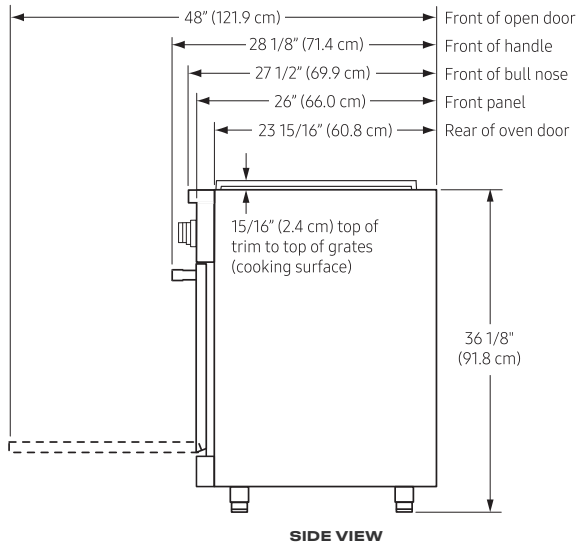
Model numbers, specifications and prices are subject to change at any time without notice. Visit [dacor.com](http://dacor.com) for the most up-to-date information. | Effective October 25, 2024

# 48-Inch Dual-Fuel Steam Range with Embedded Griddle



## CONTEMPORARY

### Product Dimensions



### Cutout Dimensions

<b>A - INCH / CM</b>	Min 52 / 137.2, Max 48 / 121.9
<b>B - INCH / CM</b>	Min 48 / 121.9, Max 48 1/8 / 122.2
<b>C - INCH / CM</b>	43 1/2 / 110.5

