

**Liberty® Induction freestanding range cooker, Stainless steel  
PRI36LBHC**



**The range combines unmatched Induction flexibility and performance with the power of a Convection Oven to create a range that's sure to move you. The cooktop has three extra-large flexible cooking zones that can accommodate large or oblong cookware.**

- Liberty® Induction Cooktop: is designed for greater flexibility when cooking and a sleek smooth surface makes cleaning fast and simple.
- Frameless Design: Frameless black glass cooktop covers the surface seamlessly fitting into any kitchen.
- True Convection Oven: Convection oven with a third element, adds greater efficiency to your convection baking to cook multiple levels of sheet pans evenly.
- Three Full Access® Telescopic Racks: glides smoothly on ball bearings, allowing them to extend for safe, easy access while supporting the heaviest dishes.
- Truly Flush Mounted: designed to fit perfectly flush alongside standard 24" depth cabinets.

- CHEFSPAN08 Chefspace Ø 8"
- HEZ390210 System pan diameter 15 cm
- PARKB3XIHB Blue Knob Kit 30/36 Induction Harmony
- TEPPAN1013 Teppan Yaki (small)
- TEPPAN1016 Teppan Yaki (large)
- TGRILLPANX Induction Grill Pan
- TROASTERT Stainless Steel roaster with glass lid

UPC code: .....825225968115  
 Product color: .....Stainless steel  
 Watts: ..... 15800 W  
 Fuse protection: .....50 A  
 Volts: .....240/208 V  
 Frequency: .....60 Hz  
 Required cutout size (HxWxD) (in): ..... 36" width slide-in  
 Overall appliance dimensions (HxWxD) (in): ..... 35 7/8" x 35 15/16" x 24 3/4"  
 Variable cooker height (in): .....1"  
 AHAM volume (of cavity) - cavity 1: ..... 3 Cu Ft  
 Product packaging dimensions (HxWxD): .....49 1/4 x 43 1/2 x 40 3/8  
 Net weight: ..... 375.000 lbs  
 Gross weight: ..... 417.000 lbs



**Liberty®**, Induction freestanding range  
cooker, Stainless steel  
PRI36LBHC

The range combines unmatched Induction flexibility and performance with the power of a Convection Oven to create a range that's sure to move you. The cooktop has three extra-large flexible cooking zones that can accommodate large or oblong cookware.

---

**Innovation**

**Performance**

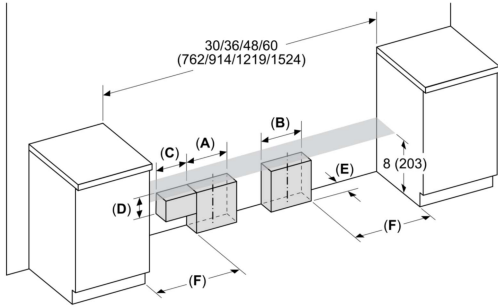
- Control panel pause
- PowerBoost® setting
- Control panel lock
- Automatic pan recognition
- 17 power levels
- 5 induction cooking elements
- Three Full Access® telescopic rack holds up to 45 pounds, integrated easy grip handle
- Convection Bake offers precise multi-level baking results

**Design**

- Illuminated touch controls
- Frameless design
- Truly Flush Mounted™, 24" standard cabinet depth
- Large oven door window for maximum viewing
- Signature blue indicator lighting
- Restaurant style metal knobs

**Liberty® Induction freestanding range  
cooker, Stainless steel  
PRI36LBHC**

Measurements in inches (mm)



	A	B	C	D	E	F
G	4 (102)	6 (152)	-	-	2 (51)	5 (127)
H	4 (102)	6 (152)	4 (102)	3 (76)	2 (51)	8 (203)
I	4 (102)	6 (152)	4 (102)	3 (76)	1 (25)	8 (203)

A: Gas zone  
B: Electric zone  
G: All Harmony series  
H: 36"/48" Grand series  
I: 60" Grand series

Measurements in inches (mm)

