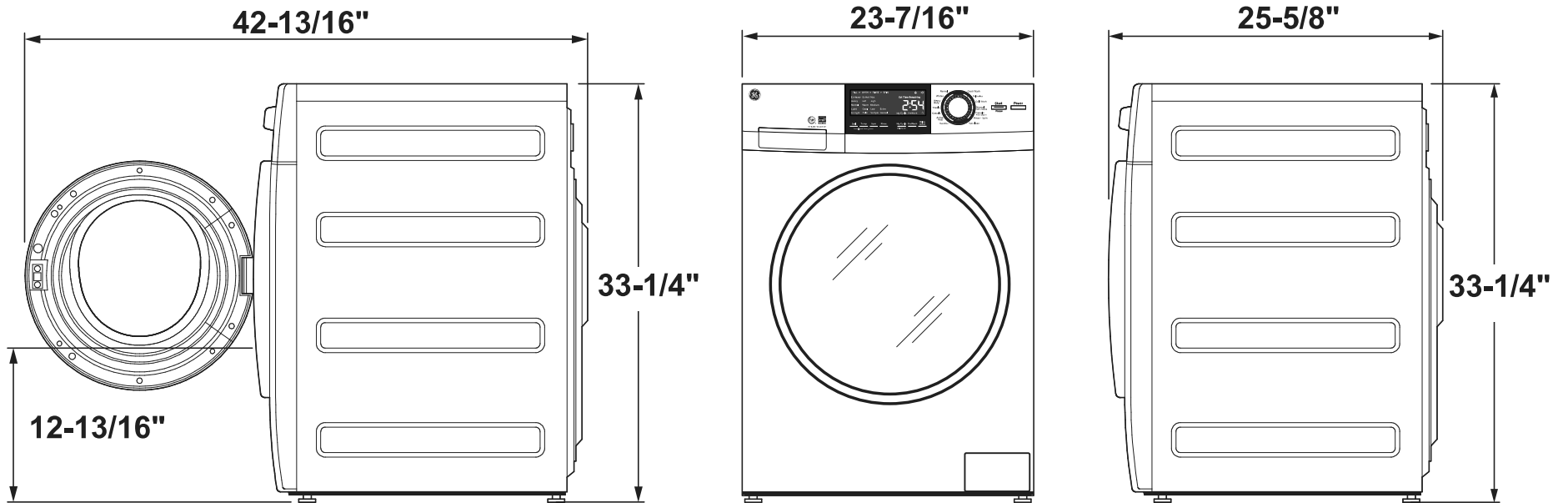


# GFW148SSMWW

GE® 2.4 DOE Cu. Ft. ENERGY STAR® Front Load Washer with Steam

## DIMENSIONS AND INSTALLATION INFORMATION (IN INCHES)

**INSTALLATION INFORMATION:** For complete information, see installation instructions packed with your washer.



For answers to your Monogram, GE Café™ Series, GE Profile™ Series or GE Appliances product questions, visit our website at [geappliances.com](http://geappliances.com) or call GE Answer Center® Service, 800.626.2000.



Specification Revised 12/19

# GEFW148SSMWW

## GE 2.4 DOE Cu. Ft. ENERGY STAR® Front Load Washer with Steam

### SPECIAL INSTALLATION REQUIREMENTS

#### ADA COMPLIANCE:

- 4" ADA riser and drip pan for 24" Front Load model: GAF140SSNWW

#### STACKED INSTALLATION:

- Kit for stacking dryer over washer is not included with the washer.  
Order part no. GFA24KITL

#### ALCOVE OR CLOSET INSTALLATION:

- If your dryer is approved for installation in an alcove or closet, it will be stated on a label on the dryer back.
- The dryer **MUST** be exhausted to the outside with the exception of the condensing dryer.
- Minimum clearances between dryer cabinet and adjacent walls or other surfaces are: 1" left and right sides, 1" top, 3" front and rear.
- Minimum clearances between washer cabinet and adjacent walls or other surfaces are: 1" left and right sides, 1" top, 1" front and rear.
- Closet doors must be louvered or otherwise ventilated and must contain a minimum of 60 sq. in. of open area equally distributed. If this closet contains both a washer and a dryer, doors must contain a minimum of 120 sq. in. of open area equally distributed.
- No other fuel-burning appliance shall be installed in the same closet with a gas dryer.

#### BATHROOM OR BEDROOM INSTALLATION:

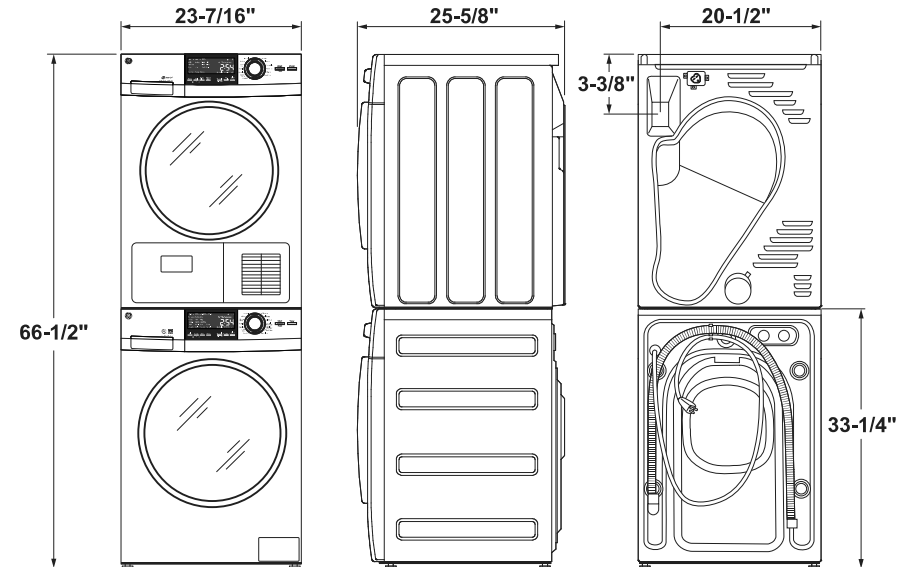
- The dryer **MUST** be exhausted to the outdoors with the exception of the condensing dryer.
- The installation must conform with the local codes, or in the absence of local codes, with the National Electric Code and National Fuel Gas Code, ANSI Z223 for gas dryers.

#### MINIMUM CLEARANCE OTHER THAN ALCOVE OR CLOSET INSTALLATIONS:

- Minimum clearances to combustible surfaces 0" both sides, 3" rear.

**FOR MORE INFORMATION ON VENTING KITS AND ACCESSORIES,  
PLEASE CALL 1-800-GE-CARES.**

### STACKED DIMENSIONS (IN INCHES)



For answers to your Monogram, GE Café™ Series, GE Profile™ Series or GE Appliances product questions, visit our website at [geappliances.com](http://geappliances.com) or call GE Answer Center® Service, 800.626.2000.



Specification Revised 12/19

# GEFW148SSMWW

## GE 2.4 DOE Cu. Ft. ENERGY STAR® Front Load Washer with Steam

### FEATURES AND BENEFITS

Plugs into Dryer or Wall – Washer plugs into GE Condenser dryer or properly installed 120-Volt wall receptacle for easy installation

Stainless steel basket – Long-lasting stainless steel finish resists rust and won't chip, peel or snag clothes

Steam – Penetrates deep into fabric fibers, loosening stains like tomato and grass, yet protects your fabrics

ENERGY STAR® qualified – Meets or exceeds federal guidelines for energy efficiency for year-round energy and money savings

Electronic touch controls – Enjoy easy operation and cleanability with streamlined controls

14 wash cycles – Multiple cycles are designed to specifically handle various fabrics and soils

1400 RPM spin speed – Fast spin speeds remove water efficiently and minimize dry time

Inlet fill hoses included

Quick Wash – Provides a quick wash for lightly soiled items that are needed in a hurry

Internal water heater – Increases wash temperature to reduce bacteria and provide better cleaning for the really tough stains

Model GFW148SSMWW – White on white

