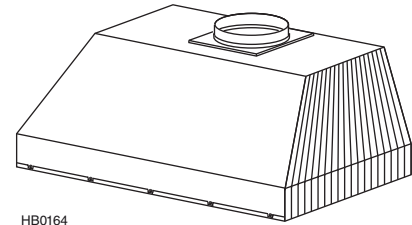


POTENZA CP55IQ SERIES RANGE HOODS



HB0164

All-in-one design includes liner, blower, filtration, controls, lighting, and damper for easy installation into custom canopy hoods. Intended for all residential applications, including commercial-style cooking surfaces.

FEATURES

- Cabinet mount - custom applications
- Finish: 430 Stainless Steel #4 Brushed
- Widths: 34-3/8", 40-3/8"
- Depth: 19-1/4"
- 8" round duct connector with backdraft damper
- 1-level LED lighting (2 LED modules, 6 Watts max.) 3000K nominal
- Easily accessible, dishwasher safe stainless steel hybrid filters with handles
- 4-speed electronic blower control
- Quiet iQ6 blower system with high efficiency BLDC motor
- Heat Sentry™ - automatically turns blower to high speed when excess cooking heat is detected
- Delay timer control automatically shuts off range hood after 10 minutes
- Special control indicates when it's time to clean the filter
- For indoor use only

OPTIONS (Not included with hood. Purchase separately.)

- Non-ducted kit - ANKCP55
- Charcoal filters included
- Charcoal filters - AFCROUND2
- Remote control (Model ACR3)
- Universal Make-Up Air Damper (Models MD6TU, MD8TU, MD10TU)

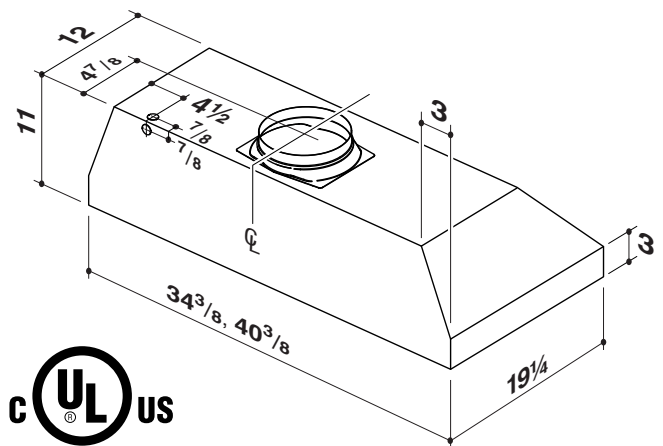
SPECIFICATIONS

VOLTS	AMPS	CFM / SONES (Boost)	CFM / SONES (High Speed)	CFM / SONES (Med. Speed)	CFM / SONES (Low Speed)	DUCT
120	4.7	600 / 8.5	450 / 5.5	290 / 2.0	150 / <0.3	8" round

This product was tested by Broan-NuTone for airflow performance using the ANSI/AMCA 210 Standard, which is equivalent to the Home Ventilating Institute HVI 916 - Procedure for Air Flow Testing, and tested for sound performance using the ANSI S12.51 Standard, which is equivalent to the Home Ventilating Institute HVI 915 - Procedure for Loudness Rating of Residential Fan Products.

iQ6 - 600 CFM Blower System providing:

- Best in class quiet operation.
- Up to 30% faster smoke and odor removal than comparable models.
- Up to 22x more energy efficient than comparable models.
- Guaranteed Performance System (GPS) technology calibrates the hood system to every installation to provide up to 30% more CFM than standard range hoods.
- Using a duct reducer with this hood may prevent the product from calibrating.



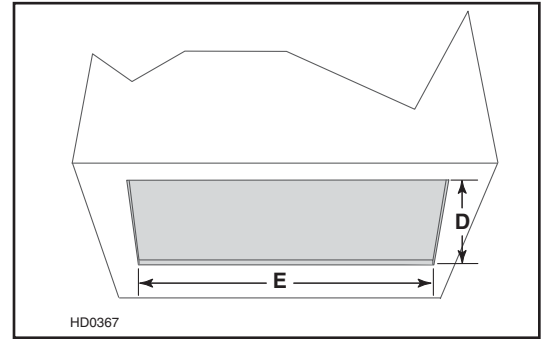
NOTE: DIMENSIONS SHOWN ARE IN INCHES

BEST Drummondville, QC, Canada www.BestRangeHoods.ca 866-737-7770

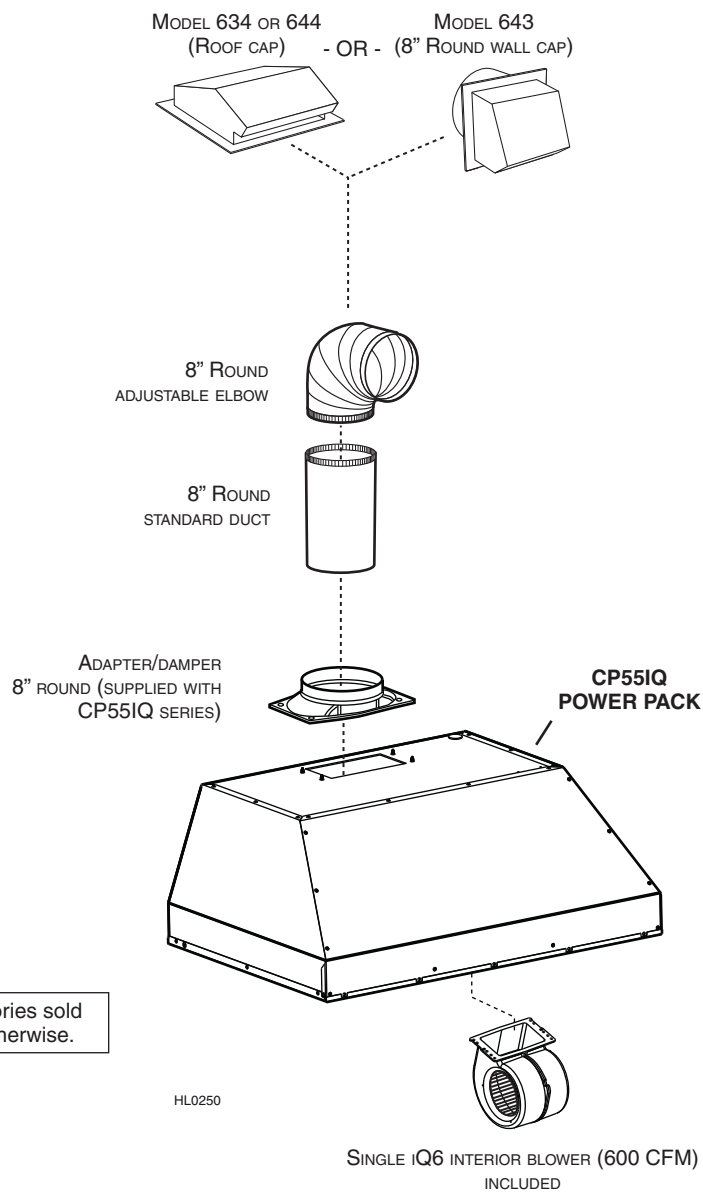
REFERENCE	QTY.	REMARKS	Project
			Location
			Architect
			Engineer
			Contractor
			Submitted by
			Date

To minimize the gap around the power pack, take actual width and depth measurements of power pack and add 1/16" to get **D** and **E** measurements. Cut the hole in the bottom of the cabinet according to dimensions. See chart and illustration for details.

POWER PACK		CUTOUT DIMENSIONS	
MODEL	WIDTH	D	E
CP551Q	36"	19 ³ / ₈ "	34 ¹ / ₂ "
	42"	19 ³ / ₈ "	40 ¹ / ₂ "



CP551Q SERIES HOOD SYSTEM



All duct and blower accessories sold separately unless noted otherwise.