

CornuFé Series

In 2005, the CornuFé Series was born, introducing La Cornue to a whole new generation. For those who hate to wait, units are inventoried stateside, and are available in twelve colors with three trim combinations. Designed with the American kitchen in mind, the CornuFé Series features electric multi-function convection ovens and either robust brass burners or induction.

CORNUFÉ 110: c1

1092 W x 650 D x 910 (937 max) H (mm)
43 W x 25.6 D x 35.8 (36.9 max) H (inches)
350 lb. uncrated, 465 lb. crated
High-performance 5 burner gas cooktop
Double electric convection ovens
Standard Retail: \$16,450

SPECIFICATIONS:

Gas Burners:

1 17,500 BTU Central Burner
3 12,000 BTU Burners
1 6,000 BTU Simmer Burner
Solid Brass Burners Enamel-Capped with Thermocouple Safety Mechanism

Ovens:

French side-swing enameled steel doors
2 Electric Convection Ovens, one of which features 7 cooking modes
4 Interior Oven Racks Included (2 flat racks, 2 dropped racks)
2 Enamel Baking Trays and 1 Trivet
Left Oven: 430 W x 370 D x 380 H (mm)
16.9 W x 14.6 D x 15 H (inches)
2.2 cubic feet
Right Oven: 430 W x 370 D x 410 H (mm)
16.9 W x 14.6 D x 16.2 H (inches)
2.39 cubic feet

Range Accessories: Plaque Adaptor Kit, Wok Ring,
Grill/Griddle Plate

Power and Fuel:

Voltage: 240v; 60Hz, 21 AMP
Gas connection: 1/2 inch NPT at rear right-hand side
Natural gas range with propane conversion kit included
High-Altitude Kit required for elevations above 5,000 feet
Natural Gas High-Altitude Kit "A037977": Retail for \$100
Propane High-Altitude Kit "A037982": Retail for \$100

Available Finishes:

Eight Body Colors: Gloss Black, Matte Black, Stainless Steel,
Ivory, Pure White, Dark Navy Blue, Royal Blue
and Provence Blue

Three Trim Options: Stainless Steel with Satin Chrome accents
Stainless Steel with Polished Brass accents
Stainless Steel with Polished Chrome accents

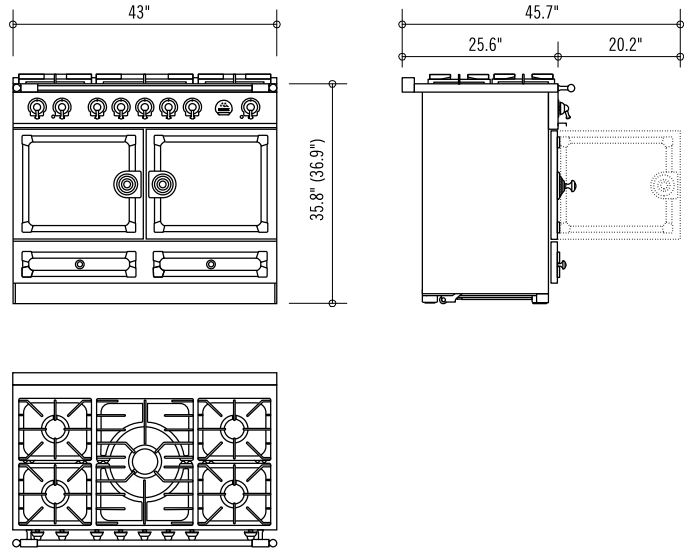
Suzanne Kasler's

Collection: Liberte, Blanc, Tapestry and Roquefort

Three Trim Options: Stainless Steel with Satin Chrome accents
Stainless Steel with Polished Brass accents
Stainless Steel with Polished Chrome accents

*Side panels are stainless steel for all colors except Gloss Black, Matte Black and Dark Navy Blue ranges have flat black side panels.

For coordinating hoods, please see Page 24.



CORNUFÉ 110 INDUCTION: c1-i

1092 W x 720 D x 915 (942 max) H (mm)
43 W x 28.6 D x 36.3 (36.9 max) H (inches)
350 lb. uncrated 465 lb. crated
High-performance 5 zone induction cooktop
Double electric convection ovens
Standard Retail: \$18,450

SPECIFICATIONS:

Induction Cooktop ratings:

Front Left: 1.4 kW (Max) 2.2 kW (Boost)
Rear Left: 1.85 kW (Max) 3.0 kW (Boost)
Center: 2.3 kW (Max) 3.7 kW (Boost)
Front Right: 1.85 kW (Max) 3.0 kW (Boost)
Rear Right: 1.85 kW (Max) 3.0 kW (Boost)

Ovens:

French side-swing enameled steel doors
2 Electric Convection Ovens, one of which features 7 cooking modes
4 Interior Oven Racks Included (2 flat racks, 2 dropped racks)
2 Enamel Baking Trays and 1 Trivet
Left Oven: 430 W x 370 D x 380 H (mm)
16.9 W x 14.6 D x 15 H (inches)
2.2 cubic feet
Right Oven: 430 W x 370 D x 410 H (mm)
16.9 W x 14.6 D x 16.2 H (inches)
2.39 cubic feet

Power and Fuel:

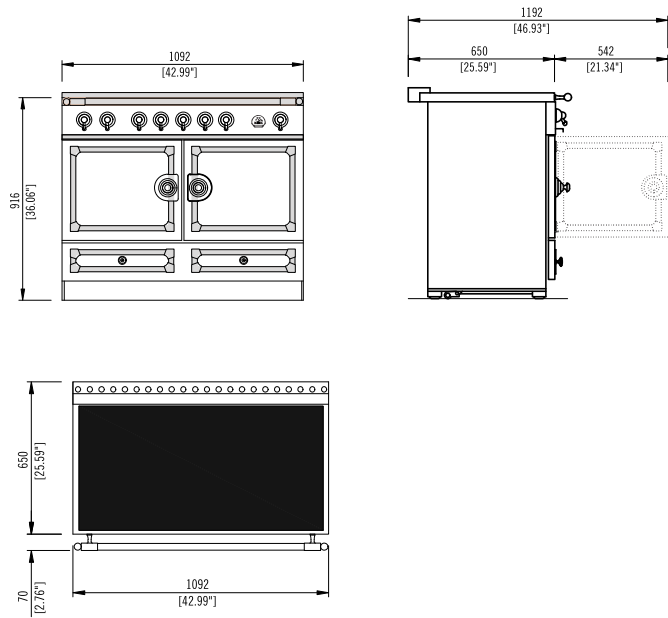
Voltage: 240v; 60Hz, 50 AMP

Available Finishes:

Eight Body Colors: Gloss Black, Matte Black, Stainless Steel,
Ivory, Pure White, Dark Navy Blue, Royal Blue
and Provence Blue
Three Trim Options: Stainless Steel with Satin Chrome accents
Stainless Steel with Polished Brass accents
Stainless Steel with Polished Chrome accents
Suzanne Kasler's
Collection: Liberte, Blanc, Tapestry and Roquefort
Three Trim Options: Stainless Steel with Satin Chrome accents
Stainless Steel with Polished Brass accents
Stainless Steel with Polished Chrome accents

*Side panels are stainless steel for all colors except Gloss Black, Matte Black and
Dark Navy Blue ranges have flat black side panels.

For coordinating hoods, please see Page 24.



CORNUFÉ 90 "ALBERTINE"TM C9

900 W x 650 D x 910 (937 max) H (mm)
35.4 W x 25.6 D x 35.8 (36.9 max) H (inches)
315 lb. uncrated, 410 lb. crated
High-performance 5 burner gas cooktop
Large electric convection oven
Standard Retail: \$13,550

SPECIFICATIONS:

Gas Burners:

1 17,500 BTU Central Burner
3 12,000 BTU Burners
1 6,000 BTU Simmer Burner
Solid Brass Enamel-Capped Burners with Thermocouple
Safety Mechanism

Oven:

Enameled steel door with glass inner door
Electric convection oven featuring 7 cooking modes
2 Convection Fans, 8 Heating Elements
1 Wire Rack
1 Large Tray Equipped with Broil Pan
1 Pastry Tray
1 Telescopic Rack
714 W x 389 D x 381 H (mm)
28.1 W x 15.3 D x 15 H (inches)
3.81 cubic feet

Power and Fuel:

Voltage: 240v; 60Hz, 16 AMP
Gas connection: 1/2 inch NPT at rear left-hand side
Natural gas range with propane conversion kit included
High-Altitude Kit required for elevations above 5,000 feet
Natural Gas High-Altitude Kit "A037977": Retail for \$100
Propane High-Altitude Kit "A037982": Retail for \$100

Available Finishes:

Eight Body Colors: Gloss Black, Matte Black, Stainless Steel,
Ivory, Pure White, Dark Navy Blue, Royal Blue
and Provence Blue

Three Trim Options: Stainless Steel with Satin Chrome accents
Stainless Steel with Polished Brass accents
Stainless Steel with Polished Chrome accents

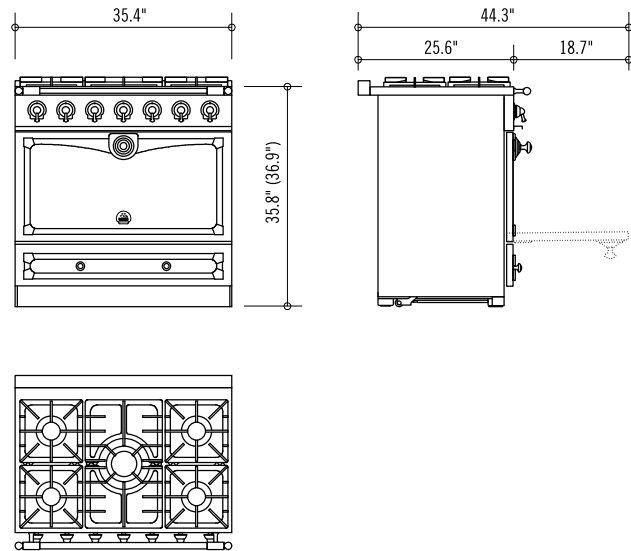
Suzanne Kasler's

Collection: Liberte, Blanc, Tapestry and Roquefort

Three Trim Options: Stainless Steel with Satin Chrome accents
Stainless Steel with Polished Brass accents
Stainless Steel with Polished Chrome accents

*Side panels are stainless steel for all colors except Gloss Black, Matte Black
and Dark Navy Blue ranges have flat black side panels.

For coordinating hoods, please see Page 24.



CORNUFÉ 90 "ALBERTINE" INDUCTION: c9-1

900 W x 711 D x 911 (936 max) H (mm)
35.4 W x 28 D x 35.8 (36.9 max) H (inches)
315 lb uncrated, 410 lb Crated
High-performance 5 zone induction cooktop
Large electric convection oven
Standard Retail: \$15,150

SPECIFICATIONS:

Induction Cooktop ratings:

Front Left: 1.4 kW (Max) 2.2 kW (Boost)

Rear Left: 1.85 kW (Max) 3.0 kW (Boost)

Center: 2.3 kW (Max) 3.7 kW (Boost)

Front Right: 1.85 kW (Max) 3.0 kW (Boost)

Rear Right: 1.85 kW (Max) 3.0 kW (Boost)

Note: Front Right and Rear Right Burners can be bridged

Oven:

Enameled steel door with glass inner door

Electric convection oven featuring 7 cooking modes

2 Convection Fans, 8 Heating Elements

1 Deluxe oven tray

1 Large Tray Equipped with Broil Pan

1 Pastry Tray

2 Telescopic Racks

714 W x 389 D x 381 H (mm)

28.1 W x 15.3 D x 15 H (inches)

3.81 cubic feet

Power and Fuel:

Voltage: 240v; 60Hz, 50 AMP

Available Finishes:

Eight Body Colors: Gloss Black, Matte Black, Stainless Steel,
Ivory, Pure White, Dark Navy Blue, Royal Blue
and Provence Blue

Three Trim Options: Stainless Steel with Satin Chrome accents
Stainless Steel with Polished Brass accents
Stainless Steel with Polished Chrome accents

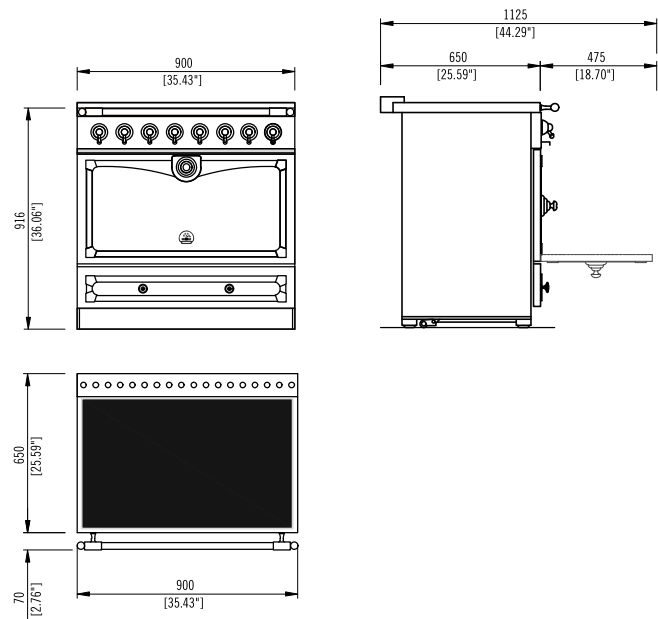
Suzanne Kasler's

Collection: Liberte, Blanc, Tapestry and Roquefort

Three Trim Options: Stainless Steel with Satin Chrome accents
Stainless Steel with Polished Brass accents
Stainless Steel with Polished Chrome accents

*Side panels are stainless steel for all colors except Gloss Black, Matte Black
and Dark Navy Blue ranges have flat black side panels.

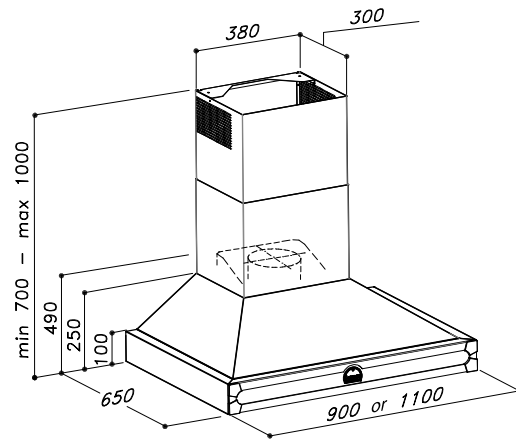
For coordinating hoods, please see Page 24.



CORNUFÉ 90 HOOD: H9

900 W x 650 D x 700 H (mm)
 35.4 W x 25.6 D x 27.5 H (inches)
 Traditional wall-mounted chimney hood
 Available in all color and trim options
 4-Speed Variable Motor
 One 600 CFM blower – unobstructed air flow with Ø6" duct
 Remote Control and In-Hood Activation Controls
 Three 20W high-intensity lights
 2 dishwasher-safe baffle filters with grease capture system
 Voltage: 120v; 60Hz, total rating: 425W, 3.6 AMP
 Telescopic flue cover extends to maximum hood height of 39.37" (1000 mm)

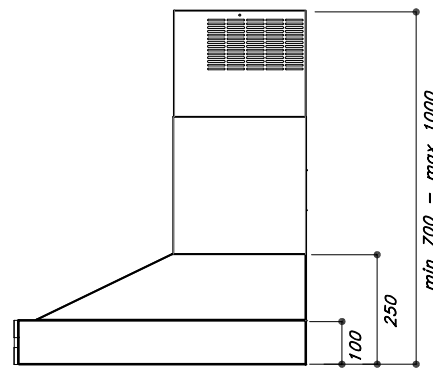
Standard Retail: \$7,700



CORNUFÉ 110 HOOD: H1

1100 W x 650 D x 700 H (mm)
 43.3 W x 25.6 D x 27.5 H (inches)
 Traditional wall-mounted chimney hood
 Available in all color and trim options
 4-Speed Variable Motor
 One 600 CFM blower – unobstructed air flow with Ø6" duct
 Remote Control and In-Hood Activation Controls
 Three 20W high-intensity Halogen lights
 2 dishwasher-safe baffle filters with grease capture system
 Voltage: 120v; 60Hz, total rating: 425W, 3.6 AMP
 Telescopic flue cover extends to maximum hood height of 39.37" (1000 mm)

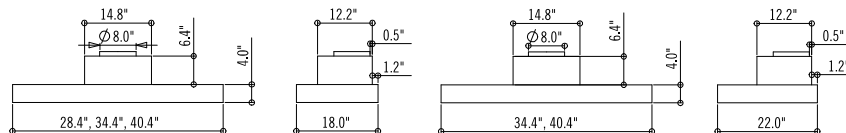
Standard Retail: \$7,850



CornuFé 90 and 110 Hoods

CORNUFÉ HOOD INSERTS

In 2020, La Cornue introduced hood inserts that are available for both ranges in the CornuFé Series. All CornuFé inserts include an internal blower, baffle filters, LED lights, remote control, and 3 speed touch buttons for fan and light control. Please note: The CornuFé inserts are designed for use in custom hoods and are NOT compatible with CornuFé hoods. The CornuFé inserts are inventoried and available for immediate sale.



CornuFé Hood Insert: 110LC118

Compatible with C1
 40 3/8" w x 18" d Grade 304 Stainless Steel Hood Insert
 Lights: 2 LED
 Filters: Baffle
 Internal Blower: 600 CFM
 Duct Size: 8"
 Remote Control: Yes
 Approx Weight: 43 lbs
 Retail: \$1,600

CornuFé Hood Insert: 110LC122

Compatible with C1
 40 3/8" w x 22" d Grade 304 Stainless Steel Hood Insert
 Lights: 2 LED
 Filters: Baffle
 Internal Blower: 600 CFM
 Duct Size: 8"
 Remote Control: Yes
 Approx Weight: 49 lbs
 Retail: \$1,950

CornuFé Hood Insert: 90LC118

Compatible with C9
 34 3/8" w x 18" d Grade 304 Stainless Steel Hood Insert
 Lights: 2 LED
 Filters: Baffle
 Internal Blower: 600 CFM
 Duct Size: 8"
 Remote Control: Yes
 Approx Weight: 40 lbs
 Retail: \$1,600

CornuFé Hood Insert: 90LC122

Compatible with C9
 34 3/8" w x 22" d Grade 304 Stainless Steel Hood Insert
 Lights: 2 LED
 Filters: Baffle
 Internal Blower: 600 CFM
 Duct Size: 8"
 Remote Control: Yes
 Approx Weight: 46 lbs
 Retail: \$1,950

CornuFé Series Details & Accessories

BODY COLORS

N	Matte Black
M	Gloss Black
I	Stainless Steel
W	Pure White
V	Ivory
D	Dark Navy Blue
R	Royal Blue
L	Provence Blue

SUZANNE KASLER COLOR COLLECTION

T	Liberte (Special order)
C	Blanc
A	Tapestry
Q	Roquefort

Please confirm inventory status at time of order.

TRIM OPTIONS

	Trim	Accents	Rails
N	Stainless Steel	Satin Chrome	Stainless Steel
F	Stainless Steel	Polished Brass	Polished Brass
P	Stainless Steel	Polished Chrome	Polished Stainless Steel

Note: The Polished Brass Trim is natural, non coated metal and will patina over time.

ACCESSORIES (AVAILABLE FOR 110 AND 90):

Part Number	Description	Price
CFEBPLATE	French Plaque for CornuFé 110 Dual Fuel Ranges	\$1,800
CFEBPLATE90	French Plaque for CornuFé 90 Dual Fuel Ranges	\$1,800
CFEGRIDDLE	Grill/Griddle Plate for all CornuFé Dual Fuel Ranges	\$900
P050553	Wok Adapter for all CornuFé Dual Fuel Ranges	\$300
A037977	High Altitude Kit - Natural Gas for all CornuFé Dual Fuel Ranges	\$100
A037982	High Altitude Kit - Propane for all CornuFé Dual Fuel Ranges	\$100
09KIRSIR01	Recirculating kit for CornuFé Hood	\$550
P030292	CornuFé 110 Extra Flat Rack	\$100
CFDF5BB	CornuFé Dual Fuel 5 Brass Burner Accessory Kit	\$850