



FRIGIDAIRE

Factory Parts Catalog

Product No.	GRQC2255BF02
Base model	GRQC2255B
PNC + ELC	92506099502
Series	Gallery
Color	stainless
Volts	115V
Wiring Diagram	A15283402
Owner's Guide	A23801502
Market	North America
Energy Guide	A24876748
Service Data Sheet	A23801601

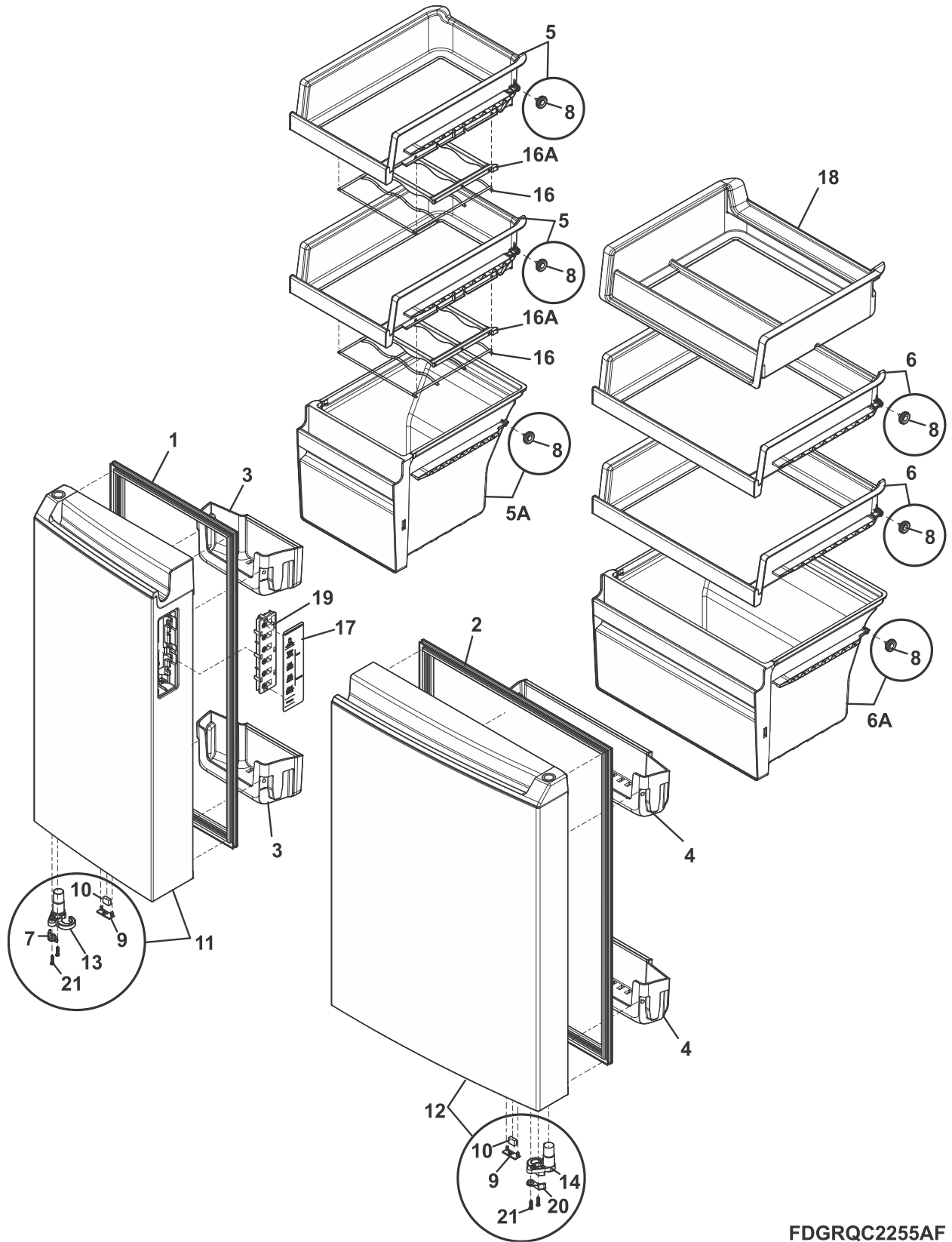
Frigidaire

P.O. BOX 8020
CHARLOTTE, NC 28262

Publication No.
5995747515
25/06/10
(EN/SERVICE/)
137

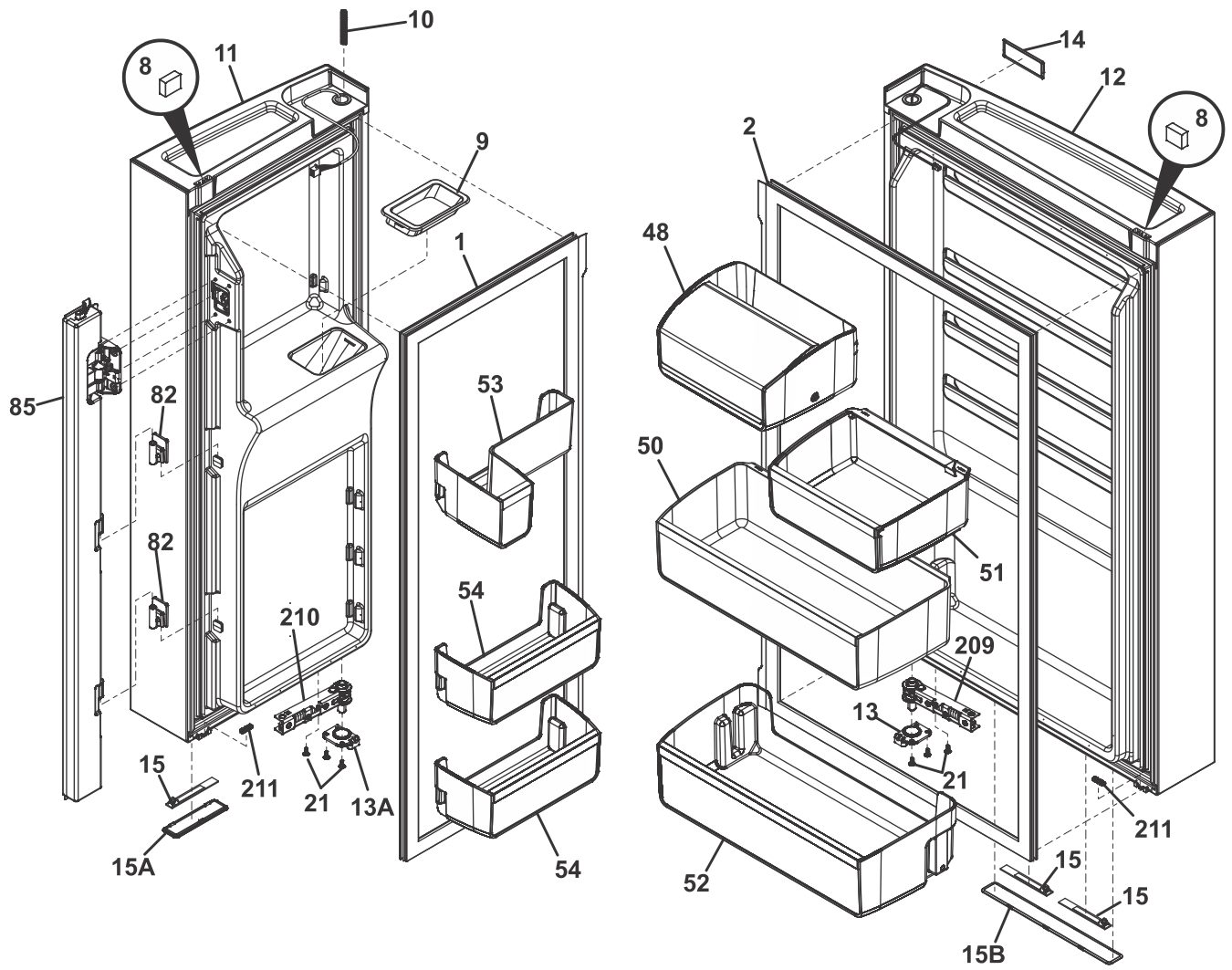
**FRENCH DOOR
MULTI – DOOR
REFRIGERATOR**

Model No.
GRQC2255B



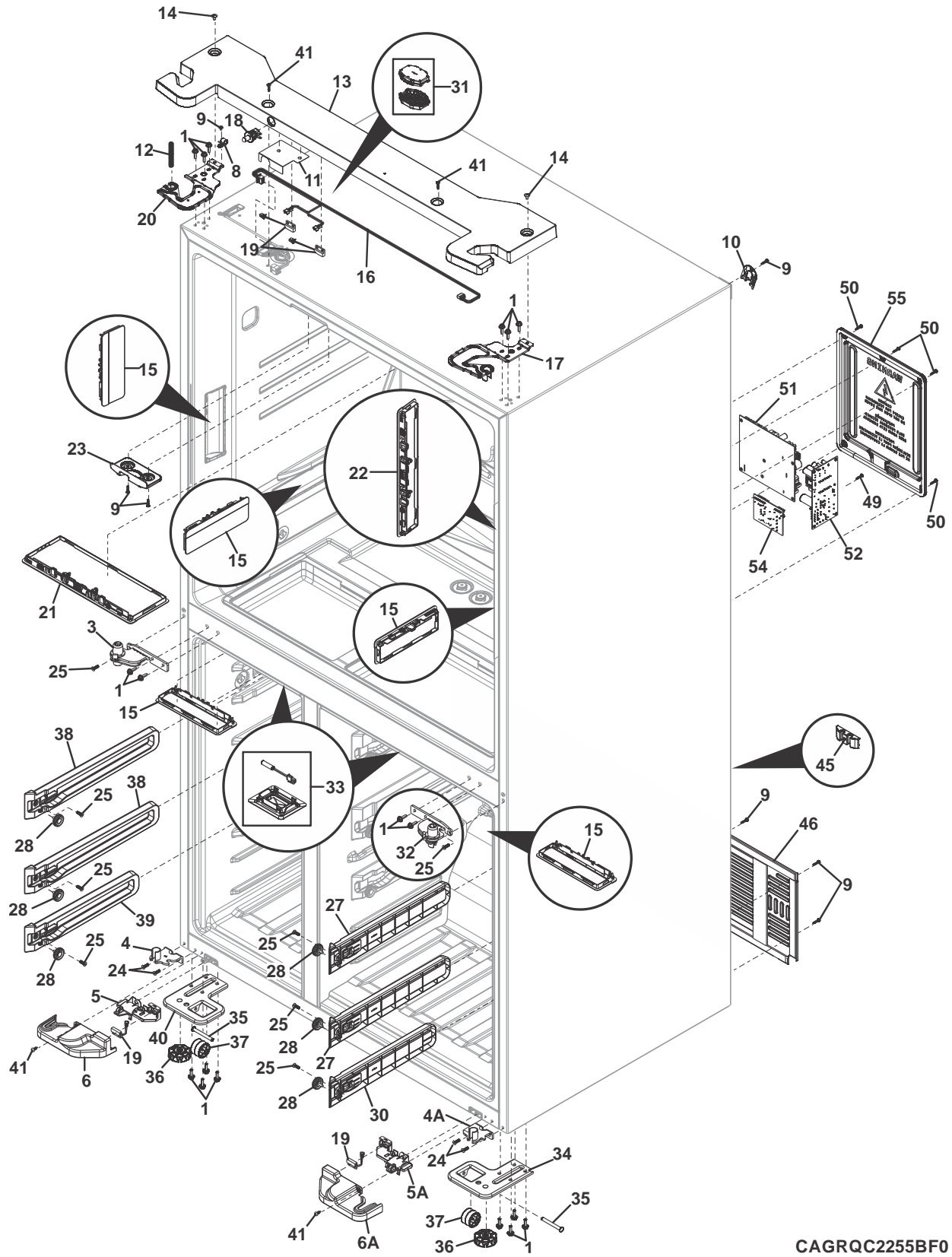
FDGRQC2255AF

POS. NO	PART NO.	DESCRIPTION
1	5304527968	Gasket, door, LH, freezer
2	5304527967	Gasket, door, RH, freezer
3	5304538729	Bin, fixed, LH door, freezer
4	5304538728	Bin, fixed, RH door, freezer
5	5304533514	Drawer Assembly, freezer, LH top
5A	5304526857	Drawer Assembly, freezer, LH bottom
6	5304533515	Drawer Assembly, freezer, RH top
6A	5304526859	Drawer Assembly, freezer, RH bottom
7	5304527421	Stop, frzr door, LH bottom
8	5304519124	Roller, crisper glide
9	5304526830	Cover, sensor magnet
10	5304519044	Magnet, reed switch
11	140235214636	Door Assembly, outer, stainless, LH, freezer
12	5304536922	Door Assembly, outer, stainless, RH, freezer
13	5304526833	Bearing, auto closer, LH
14	5304526829	Bearing, auto closer, RH
16	5304526854	Rack Assembly, bottle, wire
16A	5304526855	Mat, wine rack
17	5304529279	Overlay, user interface, freezer
18	5304526856	Container, ice, freezer
19 #	5304531769	PC Board, display, LH door
20	5304527420	Stop, frzr door, RH bottom
21	808337901	Screw, PF AB PFZ PF, 3.5x1.27x19



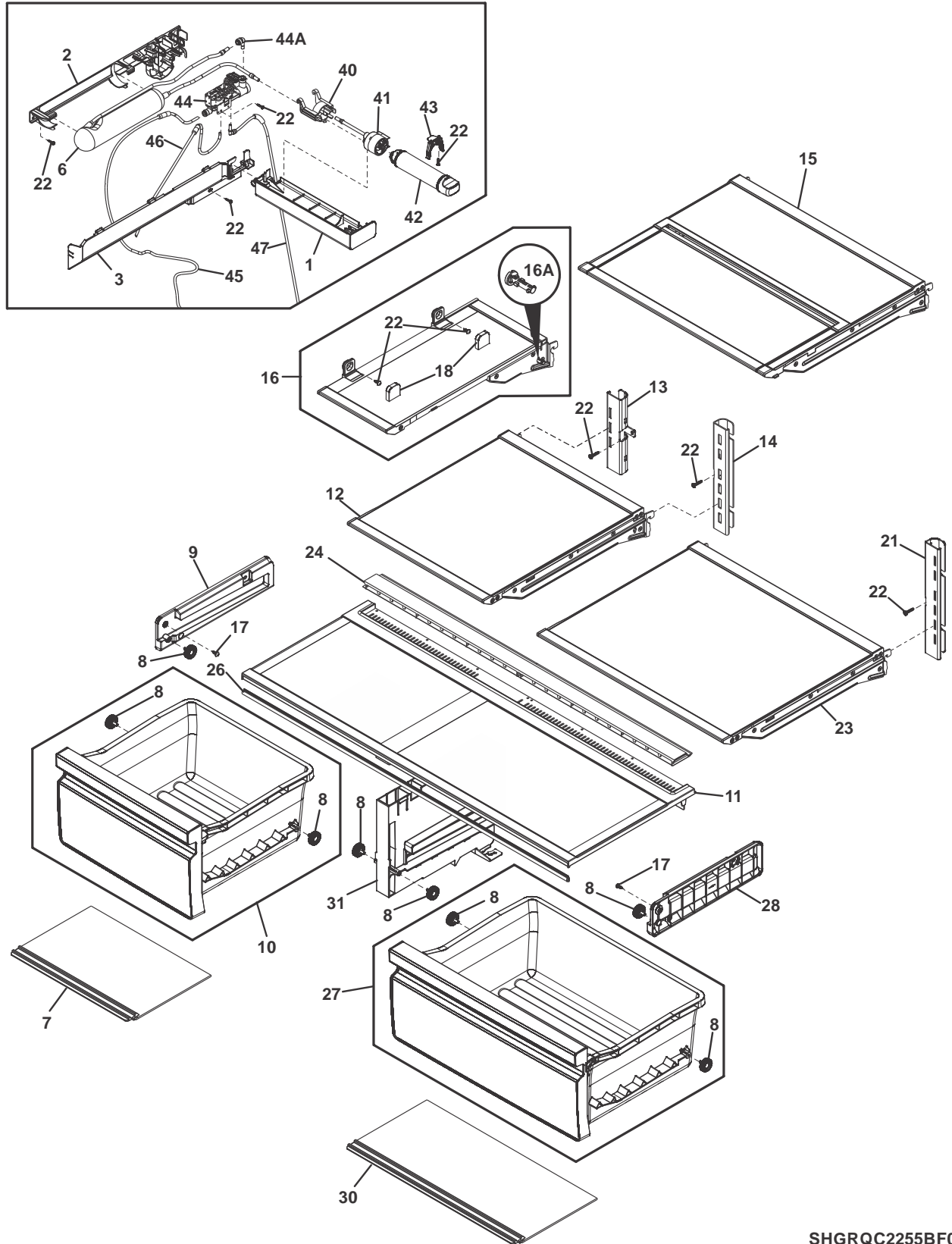
FFGRQC2255AF

POS. NO	PART NO.	DESCRIPTION
1	5304529569	Gasket, door, LH fresh food
2	5304529576	Gasket, door, RH fresh food
8	5304519044	Magnet, reed switch
9	5304526838	Frame, ice chute
10	5304519067	Spring, tube protection
11 #	5304537055	Door Assembly, outer, stainless, LH, fresh food
12	5304537057	Door Assembly, outer, stainless, RH, fresh food
13	5304519070	Stop, assembly, RH door
13A	5304519071	Stop, assembly, LH door
14	5304512150	Nameplate, chrome, Frig Gallery
15 #	5304523011	Light Board, 3 LED cluster, 6500k
15A	5304526839	Lens, single light, white
15B	5304526846	Lens, LED light, RH endcap
21	241953902	Screw, quad hilo, #8-18 X 0.380
48	5304519073	Bin Assembly, FLEX, door, dairy
50	5304526860	Bin, FLEX, full width, door
51	5304519076	Bin Assembly, FLEX, door, slide adjust
52	5304519077	Bin, fixed, door bottom
53	5304519078	Bin, fixed, small, door, ice chute
54	5304519079	Bin, fixed, LH door
82	5304519080	Hinge, flip mullion, bottom/middle
85 #	5304519081	Mullion Assembly, flip, w/heater
85*	241641505	Screw, hilo phil pn, .5", white
85*#	5304531674	Heater, flip mullion
209	5304508014	Closer Assembly, door, RH, mechanical
210	5304508015	Closer Assembly, door, LH, mechanical
211	5304519083	Bumper, door, bottom
*	242200102	Clip, tubing, 90 deg elbow
*	5304529570	Lens, single light, grey
*	5304533518	Door Alignment, kit



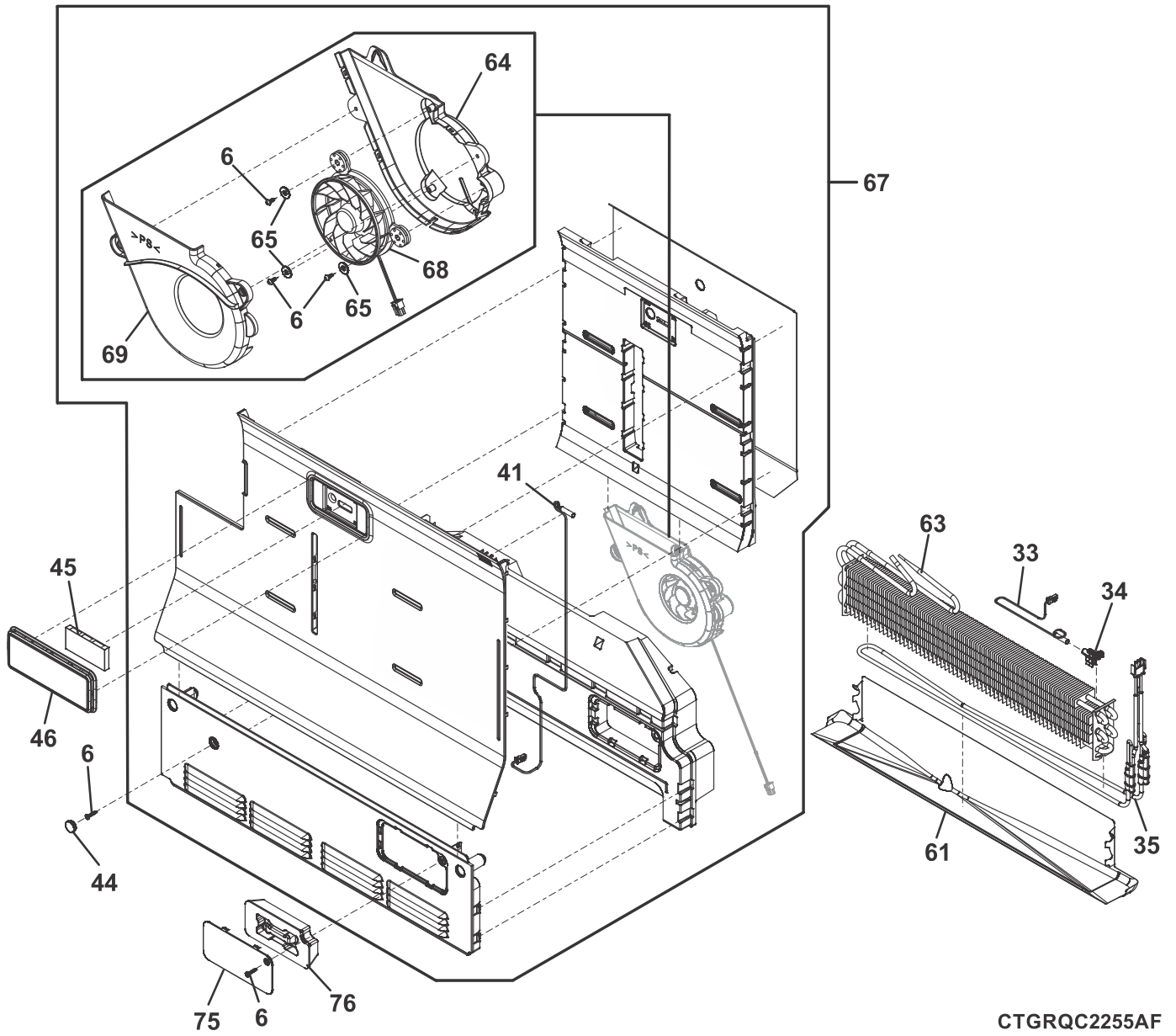
CAGRQC2255BF0

POS. NO	PART NO.	DESCRIPTION
1	811949401	Screw, trilob, M5 x 16
3	5304526815	Hinge, center, LH
4	5304533510	Hinge, bottom door, LH
4A	5304533511	Hinge, bottom door, RH
5	5304526822	Support, reed switch, LH bottom
5A	5304526823	Support, reed switch, RH bottom
6	5304533512	Cover, foot base, LH
6A	5304533513	Cover, foot base, RH
8	240396803	Clamp, tube/wiring, 5/16"
9	811949503	Screw, truss, 4.2 x 13
10	5304519086	Cover, inlet tube, rear
11	5304523030	Shield, eyebrow
12	5304519067	Spring, tube protection
13	5304521738	Cover, eyebrow, grey
14	5304519089	Screw, self-tapping, M5 x 0.8
15 #	5304524656	Light Assembly, LED, 1X, w/lens, PCB, harn
16	5304532658	Harness, wiring, eyebrow
17	5304519092	Hinge, top, RH
18 #	5304519093	Switch, light, gray
19 #	5304532559	Switch, door reed
20	5304523031	Hinge, top, LH
21 #	5304524657	Light Assembly, LED, 2X upper, w/lens, PCB, harn
22 #	5304526810	Light Assembly, LED, 2GR, w/lens, PCB, harn
23	5304520058	Guide Assembly, flip mullion, base
24	5304519098	Screw, trilob, M4 x 12
25	241641505	Screw, hilo phil pn, .5", white
27	5304526786	Rail, freezer side, RH top
28	5304519124	Roller, crisper glide
30	5304526788	Rail, freezer side, RH bottom
31	5303918849	Housing Kit, 2 connectors
32	5304526816	Hinge, center, RH
33 #	5303918850	Thermistor kit, temperature, w/housing
34	5304526790	Bracket Assembly, leveling foot, RH
35	811998302	Shaft, cabinet roller
36	5304519106	Foot, leveling, stabilizer
37	811666601	Roller, cabinet
38	5304526785	Rail, freezer side, LH top
39	5304526787	Rail, freezer side, LH bottom
40	5304526789	Bracket Assembly, leveling foot, LH
41	5304526847	Screw, tri lobe, M4 x 6
45	5304519111	Clip, tube, rear
46	5304519112	Cover, machine compt., rear
49	808199001	Screw, self-tapping, 6 x 20
50	5304523032	Screw, trilob, M4 x 7.5
51 #	5304526796	PC Board, control, main
52 #	5304526795	PC Board, power supply
54 #	5304519115	PC Board, AC line filter, EMC
55	5304519117	Cover, assembly, PCB box
*	5304526848	Screw, self-tapping, 4.2 x 13
* #	5304519116	Harness, wiring, power supply
*	240396801	Clamp, tube/wiring, 1/2", nylon, black/natural



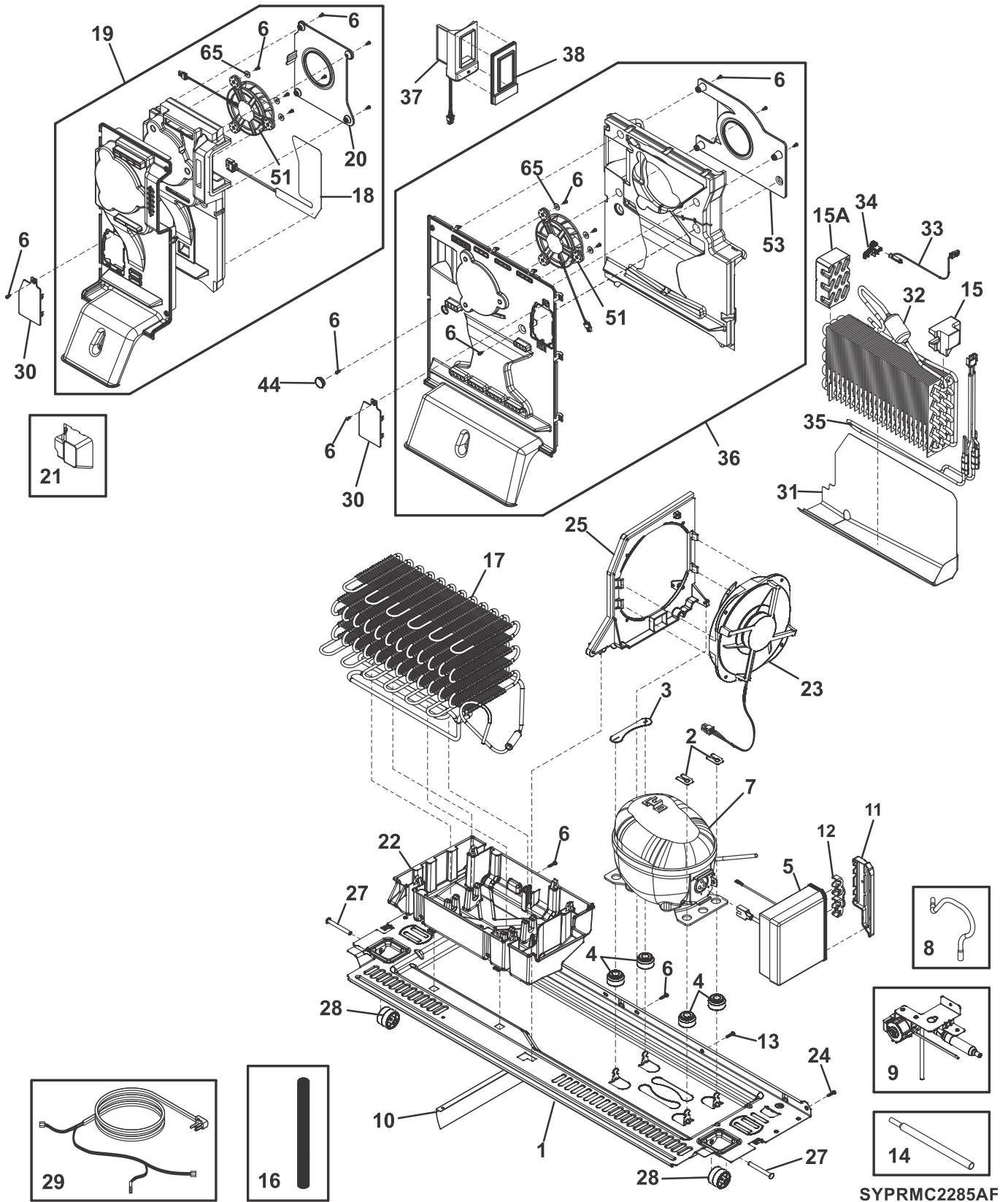
SHGRQC2255BF0

POS. NO	PART NO.	DESCRIPTION
1	5304533262	Cover, water filter, grey
2	5304529601	Support, water valve, & tank
3	5304533507	Cover, water tank
6 #	5304523037	Tank, water, disp reservoir
6*	5304533519	Elbow, tube, water tank
7	5304519123	Cover, mullion storage, glass, LH
8	5304519124	Roller, crisper glide
9	5304519125	Rail, crisper, LH side
10	5304526852	Drawer Assembly, crisper, LH, w/rollers
11	5304531895	Cover Assembly, crisper, w/glass
12	5304523041	Shelf Assembly, cantilever, glass, LH
13	5304519129	Bracket, cantilever shlf, LH
14	5304519130	Bracket, cantilever shlf, center
15	5304523044	Shelf Assembly, cantilever, glass, upper
16	5304523045	Shelf Assembly, flip up, glass, LH
16A	5304523682	Pin, interlock, flip up shelf
17	241641505	Screw, hilo phil pn, .5", white
18	5304519133	Cover, screw, small
21	5304519136	Bracket, cantilever shlf, RH
22	811949503	Screw, truss, 4.2 x 13
23	5304523047	Shelf Assembly, cantilever, glass, RH
24	5304523048	Housing Assembly, auto humidity, w/membrane
26	5304519140	Gasket, crisper cover
27	5304526851	Drawer Assembly, crisper, RH, w/rollers
28	5304519142	Rail, crisper, RH side
30	5304519143	Cover, mullion storage, glass, RH
31	5304532661	Divider, crisper cover
40	5304531743	Guide, filter manifold
41 #	5304522682	Manifold, water filter, w/water line, to main valve
42 #	EPTWU01	Water Filter CS6 PS ULTRA II
43	5304519148	Holder, water filter
44 #	5304523052	Water Valve, assembly, triple
44A	5304523053	Connector, tubing, quick connect
45 #	5304524353	Tubing, valve, to door hinge
46 #	5304527422	Tubing, valve, to FF ice maker
47 #	5304526817	Tubing, valve, to fz ice maker
47*	5304529553	Seal, foam, inlet tube
*	242200102	Clip, tubing, 90 deg elbow
*	5304523029	Screw, trilobular, M4 x 12



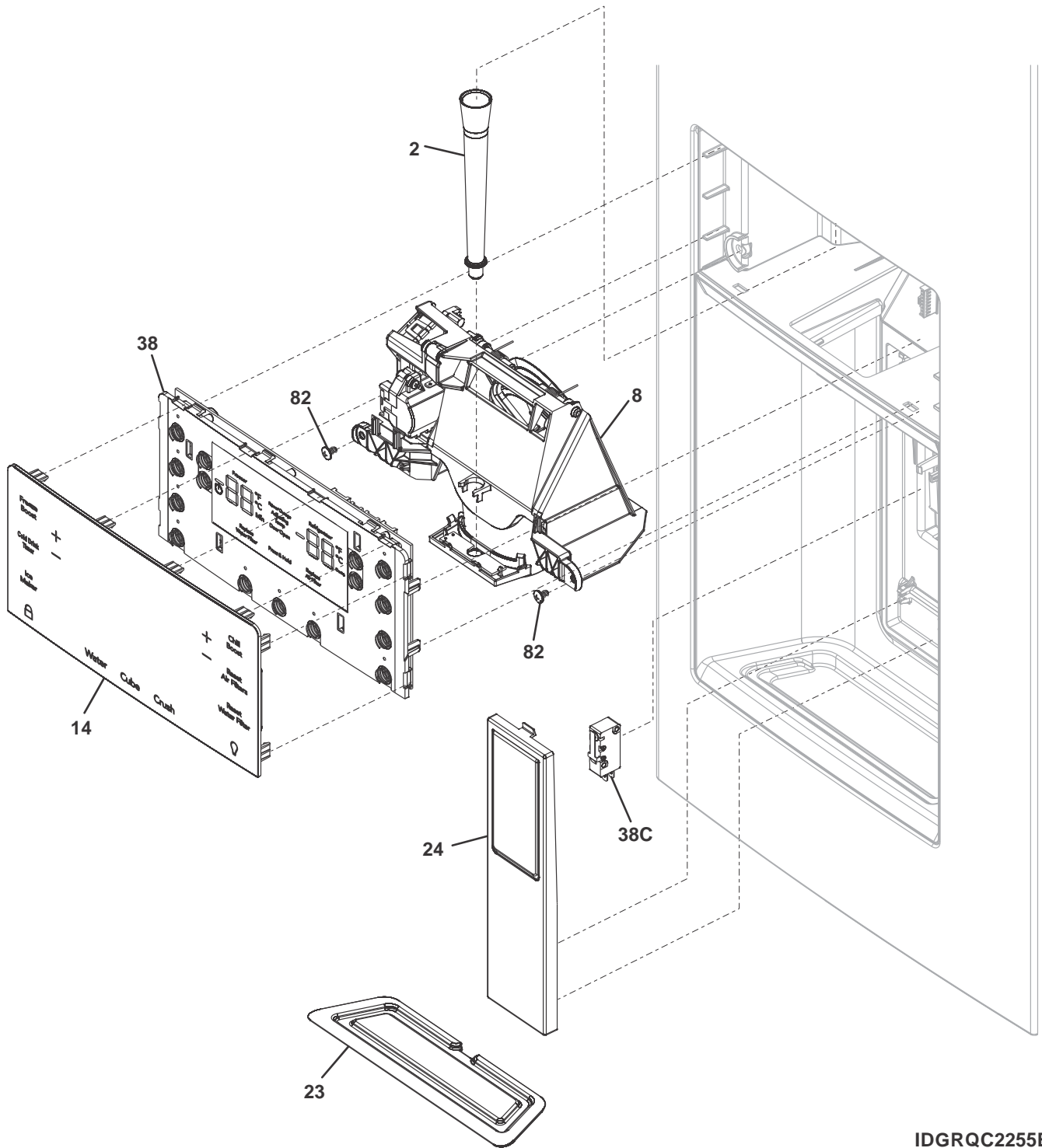
CTGRQC2255AF

POS. NO	PART NO.	DESCRIPTION
6	811949503	Screw, truss, 4.2 x 13
33 #	5304519628	Defrost Sensor, assembly
34	811980402	Clamp, NTC, evaporator
35 #	5304523054	Heater, defrost, evaporator
41 #	5303918775	Thermistor kit, temperature, NTC, w/connectors
44	5304524004	Cover, screw hole, white
45	PAULTRA2	Air Filter, PURE AIR ULTRA 2
46	5304526814	Cover, air filter, stainless, fresh food
61	5304519180	Drain Trough, evaporator, fresh food
63 #	5304526811	Evaporator, assembly, fresh food
64	5304526813	Plate, fan mounting, fresh food
65	5304519183	Washer, flat
67 #	5304524898	Cover Assembly, air duct, fresh food, complete
68 #	5304526804	Fan Assembly, evaporator
69	5304526812	Housing, fan, fresh food
75	5304519189	Cover, window, fresh food
76	5304522062	Insulation, window, EPS, fresh food
*	811950601	Seal, 6x8, foam tape, 154" roll



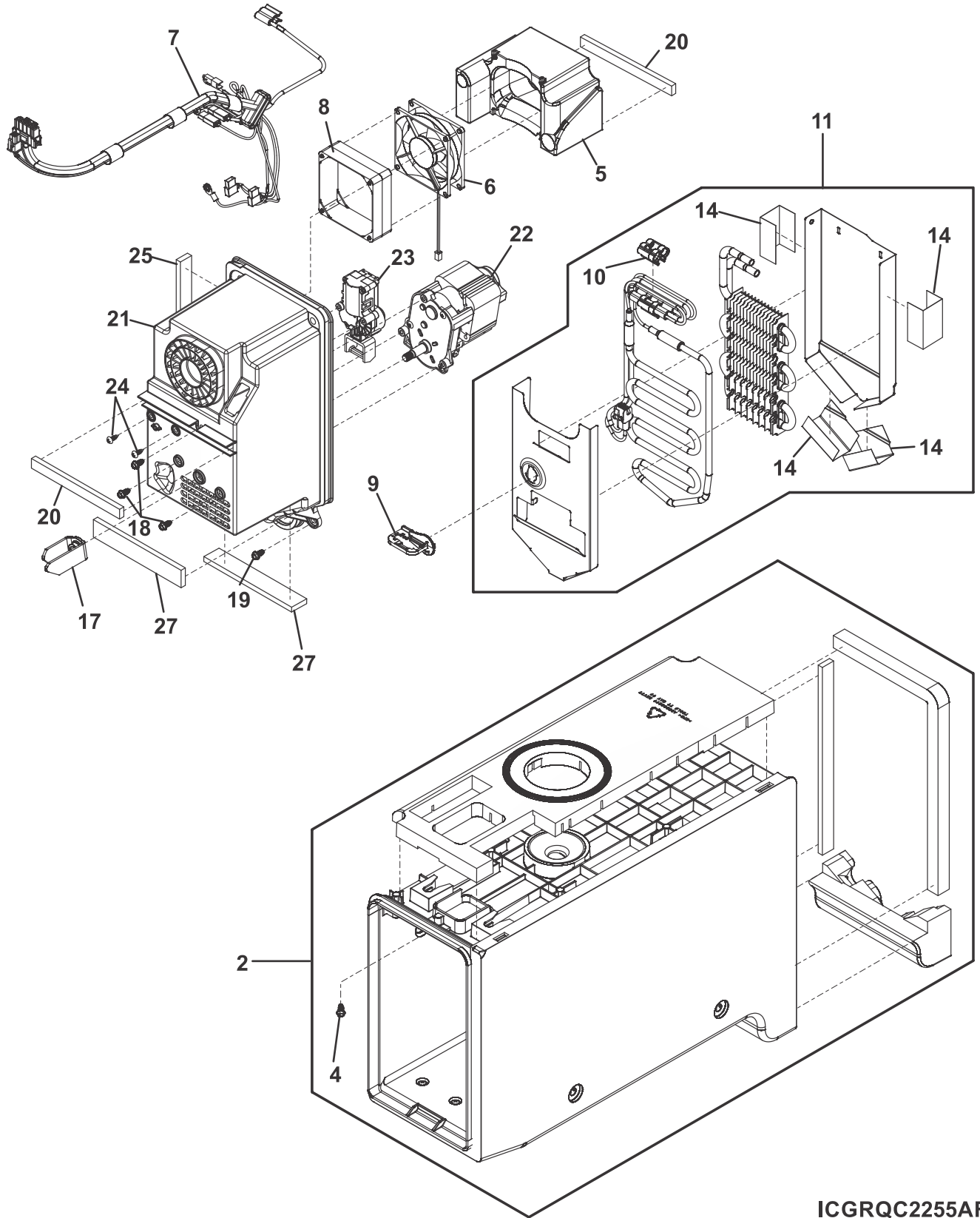
SYPRMC2285AF

POS. NO	PART NO.	DESCRIPTION
1	5304519151	Base, compressor assy
2	5304519152	Clamp, compressor, single hole
3	5304533505	Clamp, compressor, 2 hole
4	811978901	Grommet, compressor
5 #	5304523061	Control Assembly, flex drive
5*	5304532654	Screw, flex drive, 4*10 hi lo
6	811949503	Screw, truss, 4.2 x 13
7 #	5304523062	Compressor, assembly, VND1113Y
8 #	5304526794	Tube, suction
9 #	5304529531	Step Valve, assembly, w/filter drier
10	5304523064	Flap bracket, compressor base
11	5304533517	Cover, flex drive, side, compressor
12	5304526793	Clamp, flex drive, cable
13	5304519110	Screw, trilob, M3 x 6
14 #	5304523065	Tubing, extra, refrigerant
15	5304526800	Support, foam, RH, evaporator
15A	5304526801	Support, foam, LH, evaporator
16	5304519156	Drain Tube, corrugated
17 #	5304519157	Condenser Assembly, dynamic
17*	5304529529	Grommet, dyco tube
18 #	5304526809	Heater Assembly, frzr, LH side
19 #	5304526807	Cover Assembly, frzr air flow, LH side, w/fan-heater
20	5304526808	Backplate, fan shroud
21	5304526805	Cover, connector, double IM
22	5304529527	Drain Pan, condenser
22*	5304529528	Foam Insulation, dyco tube
23 #	5304525730	Fan Assembly, condenser
24	808199001	Screw, self tapping, 6 x 20
25	5304529530	Shroud, condenser fan
27	811998302	Shaft, cabinet roller
28	811666601	Roller, cabinet
29 #	5304523066	Power Cord, electric
30	5304519172	Cover, window, middle drawer
31	5304526797	Tray, evap drain
32 #	5304526798	Evaporator, assembly, freezer
33 #	5303918851	Thermostat Kit, defrost, w/connectors
34	811980402	Clamp, NTC, evaporator
35 #	5304526799	Heater, defrost, evaporator
36 #	5304526802	Cover Assembly, evaporator, freezer, w/fan assy
37 #	5304526806	Damper, heated
38	5304523686	Seal, baffle assembly
44	5304524004	Cover, screw hole, white
51 #	5304526804	Fan Assembly, evaporator
53	5304526803	Plate, fan mounting
65	5304519183	Washer, flat
*	811950601	Seal, 6x8, foam tape, 154" roll



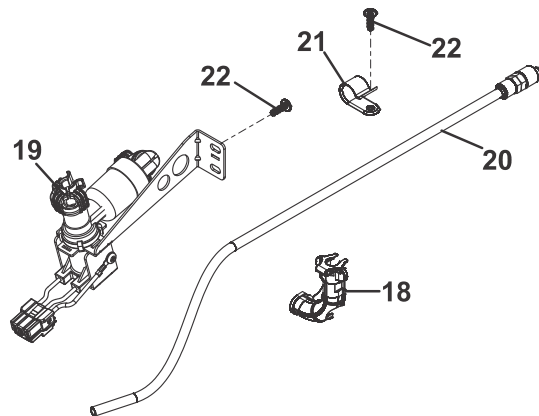
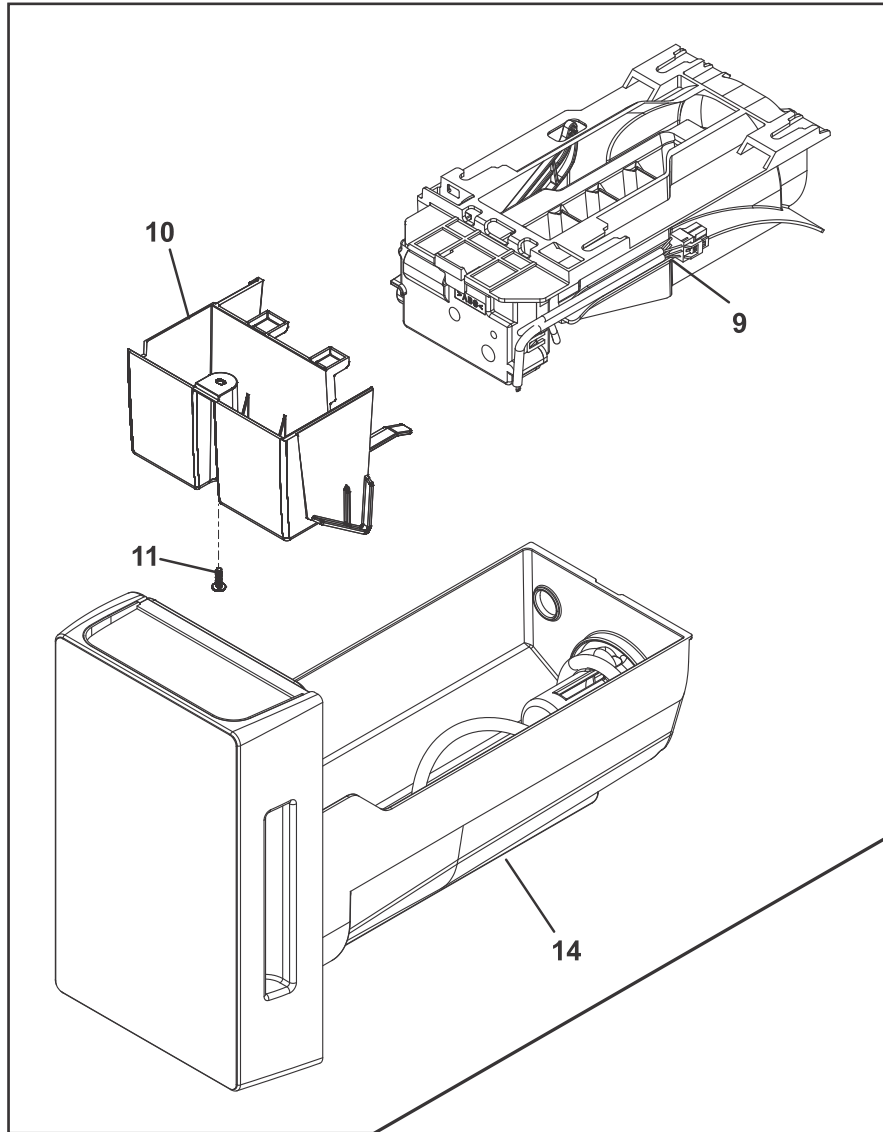
IDGRQC2255BF0

POS. NO	PART NO.	DESCRIPTION
2	5304519194	Guide, water tube, dispenser
8 #	5304531710	Dispenser Assembly, ice & water
14	5304533508	Overlay, user interface
23	5304526843	Tray, dispenser drip
24	5304526842	Paddle Assembly, dispenser
24*	5304519199	Spring, paddle assembly
38 #	5304526840	Display Board, assembly, user interface
38C#	5304523072	Switch, disp paddle
82	241953907	Screw, quad hilo, #8-18 x 0.25
*	242200102	Clip, tubing, 90 deg elbow



ICGRQC2255AF

POS. NO	PART NO.	DESCRIPTION
2	5304530081	Housing Assembly, ice maker, w/gaskets
4	241953902	Screw, quad hilo, #8-18 X 0.380
5	5304523073	Duct, ice maker fan
6 #	242119403	Fan Assembly, motor, with blade
7 #	5304526820	Harness, wiring, air handler, w/defrost therm
8	5304508063	Grommet, fan
9	5304508037	Connector, harness, evap cover
10	5304519629	Clip, heater/tubing
11 #	5304519630	Evaporator Assembly, complete, ice maker
14	5304485759	Tape, 3" x 1", foil
17	241829001	Bar-drive
18	240555002	Screw-#8-32 X 3/8
19	519088008	Screw, vt af/2p, 5 x 16
20	242095404	Gasket-evap housing, .250x.250x5.250
21	5304526818	Housing, air handler
22 #	5304519208	Motor, auger
23 #	5304526819	Selector, ice crush/cube
24	218359202	Screw, pan head, 8-32 x 0.250
25	5304519209	Gasket, housing, 6.3W, ice maker
27	5304519211	Gasket, air handler, front
55	241690306	Washer



IMGRMC2273BF

POS. NO	PART NO.	DESCRIPTION
9 #	243297608	Ice Maker, assembly, fresh food, 115 V, twist tray
10	5304523076	Cover, harness, ff ice maker
11	241953909	Screw, quad hilo sts, #8-18
14	5304526821	Bucket Assembly, ice container, w/moving parts
18	242200102	Clip, tubing, 90 deg elbow
19 #	5304529533	Valve, water, single
20 #	5304532655	Tube Assembly, inlet, w/connector
21	240396801	Clamp, tube/wiring, 1/2", nylon, black/natural
22	811949503	Screw, truss, 4.2 x 13
*	811948501	Cable Tie, 2.5 x 120
*	5304526863	Clamp, water tube

