



FRIGIDAIRE

Factory Parts Catalog

Product No.	PCFI3670AFA
	Professional
Series	36" induction
Color	stainless
Market	North America
Owner's Guide	914779732
Installation Instructions	914780103
Service Data Sheet	913531556
Quick Start Guide	913531553

Frigidaire

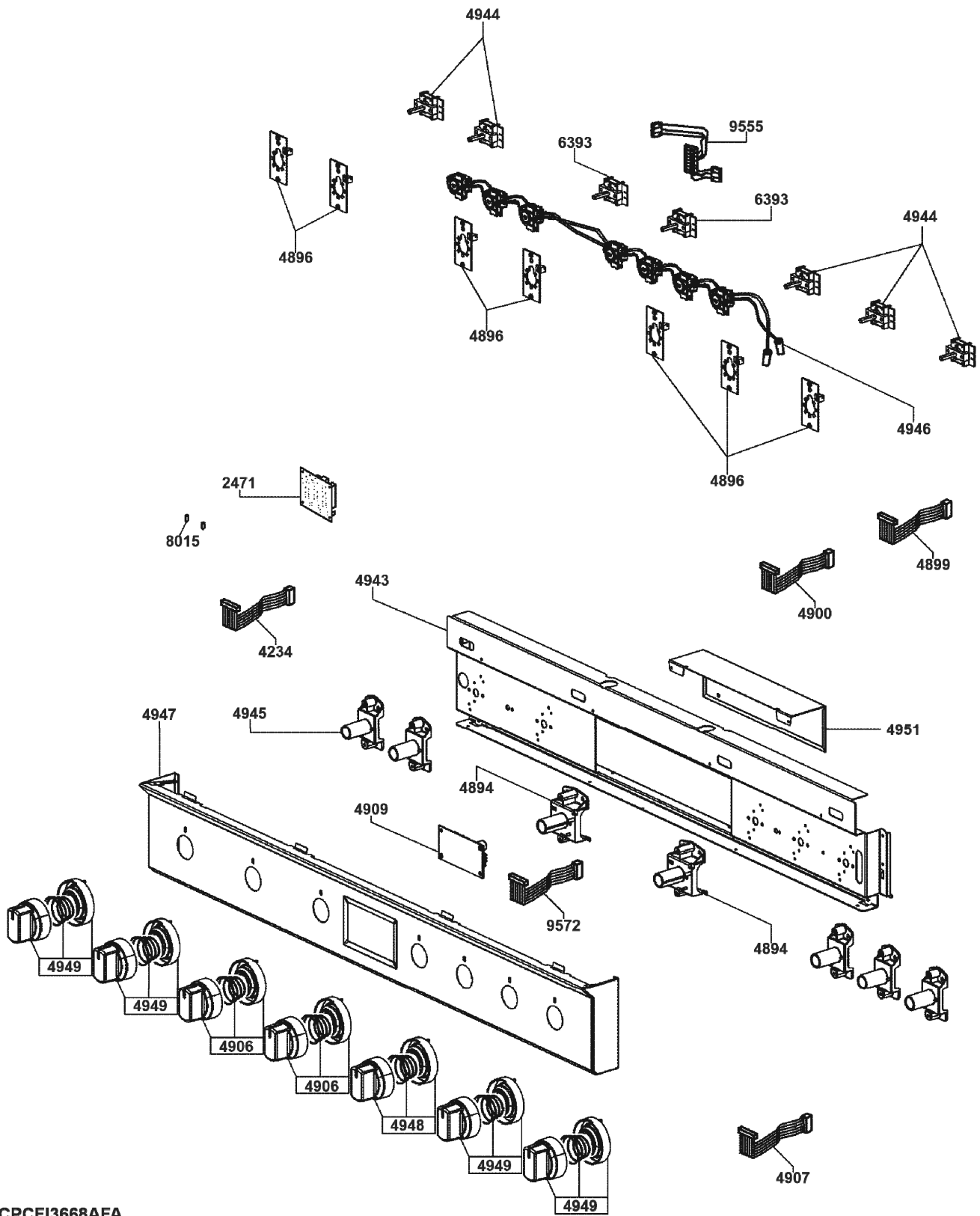
P.O. BOX 8020
CHARLOTTE, NC 28262

Publication No.
5995734588
23/05/25
(EN/SERVICE/ECL)
377

30-INCH FREE- STANDING INDUCTION RANGE

Model No.
PCFI3670A

CONTROL PANEL

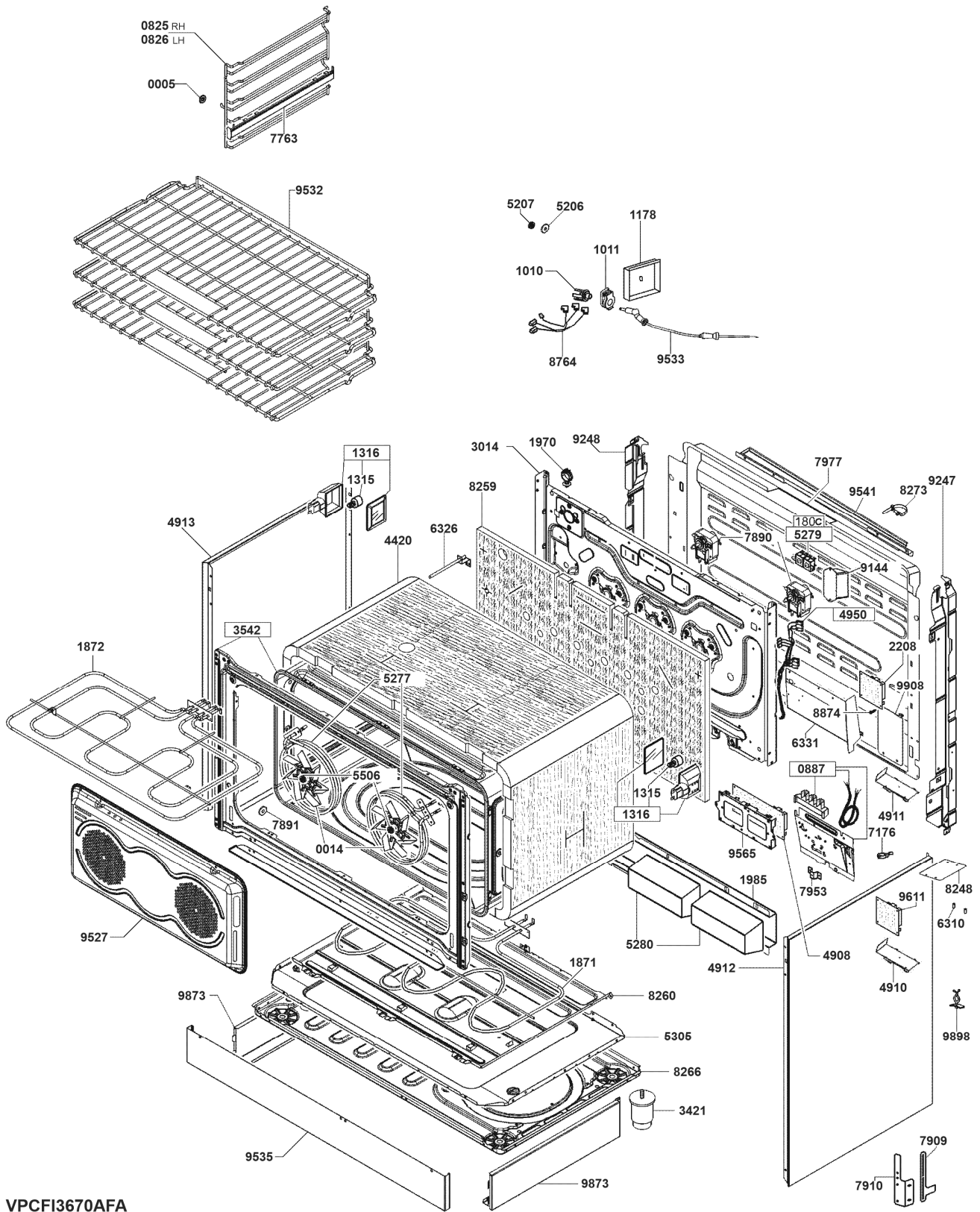


CPCFI3668AFA

CONTROL PANEL

POS. NO	PART NO.	DESCRIPTION
2471	5304529252	PC Board, control
4234	5304527487	Harness, wiring, communication, flat
4894	5304531612	Support, potentiometer
4896	5304531614	PC Board, power module, burner knob
4899	5304531617	Cable, communication
4900	5304531618	Cable, communication
4906	5304531620	Knob Assembly, oven control, stainless, w/spring
4907	5304531621	Cable, lighting
4909	5304534038	Controller, electronic, oven
4943	5304531631	Frame, control panel, support
4944	5304531632	Potentiometer, Induction unit
4945	5304531633	Support, potentiometer, Induction unit
4946	5304531634	Micro Switch, assembly, 7 switches, w/wiring
4947	5304531635	Control Panel, stainless
4948	5304531636	Knob Assembly, large burner, stainless, w/spring
4949	5304531637	Knob Assembly, small burner, stainless, w/spring
4951	5304531639	Shield, potentiometers
6393	5304527476	Switch, potentiometer, (2)
8015	5304527772	Spacer, electronic unit
9555	5304527536	Harness, wiring, potentiometers
9572	5304532116	Harness, wiring, connection, display

BODY

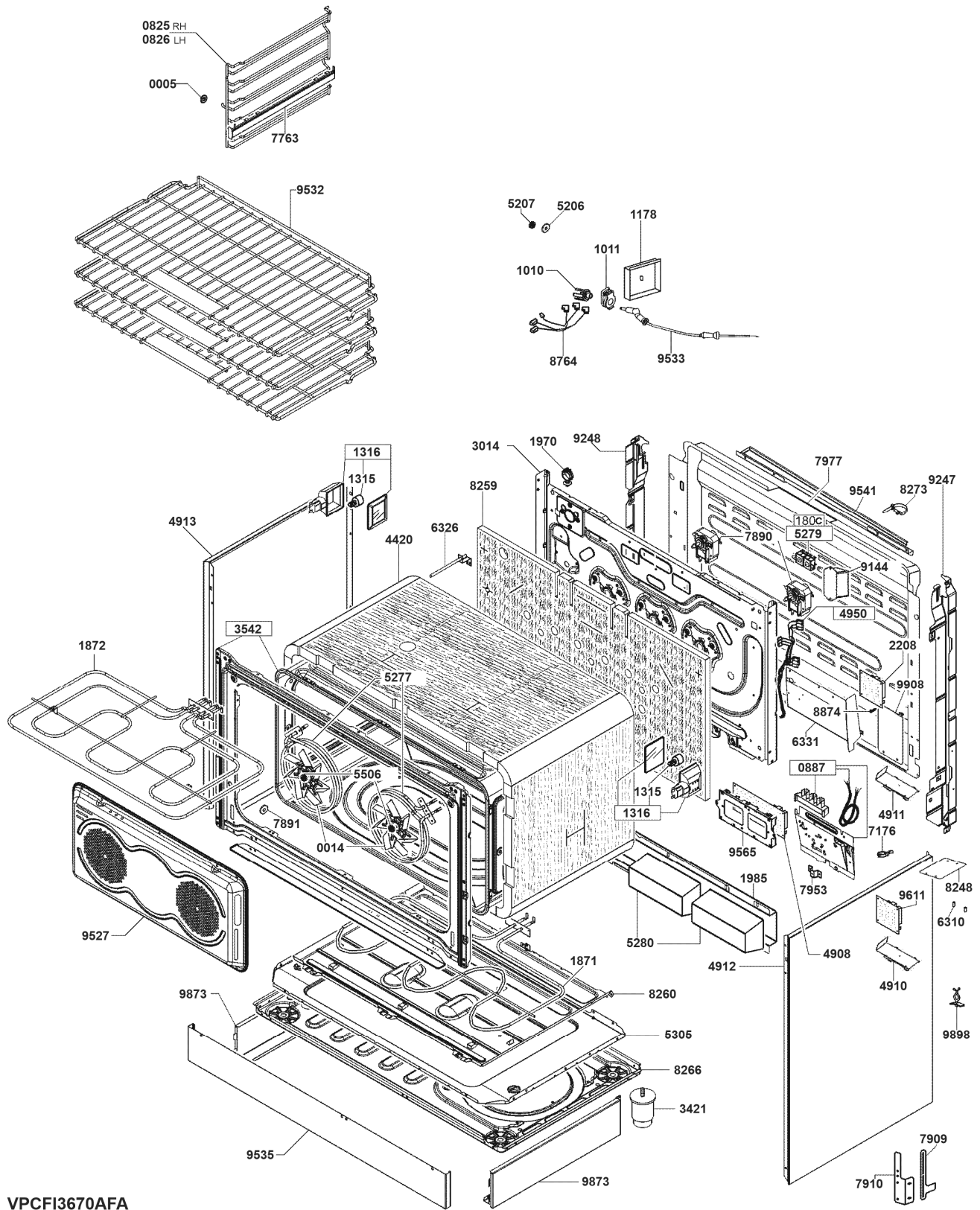


VPCFI3670AFA

BODY

POS. NO	PART NO.	DESCRIPTION
0005	5304527453	Bushing, rack support
0014	5304527454	Blade, fan, convection, 7 vane
0825	5304531576	Glide Rail, rack, RH
0826	5304531577	Glide Rail, rack, LH
0887	5304531578	Cable Assembly, feeder, w/term block
1010	5304527481	Receptacle, meat probe
1011	5304527482	Cover, receptacle, meat probe
1178	5304531579	Housing, probe shield
1315	5304527465	BULB, oven lamp, halogen, 40W, 120V, (2)
1316	5304527466	Lamp Assembly, halogen, oven, 40W, 120V, (2), w/bulb
1871	5304531580	Element, oven bake, 1700W
1872	5304531581	Element, oven broil
1970	5304527468	Clamp, cable, (6)
1985	5304528981	Support, counterweight
2208	5304531582	PC Board, filter card
3014	5304532741	Panel, oven back
3421	5304531585	Foot Kit, cabinet, (includes 4)
3542	5304527716	Liner, oven cavity
4420	5304527719	Insulation, oven wrapper
4908	5304531622	PC Board, power, main
4910	5304531624	Support, PC board
4911	5304531625	Holder, assembly, filter
4912	5304531626	Panel, side, stainless, RH
4913	5304531627	Panel, side, stainless, LH
4950	5304531638	Harness, wiring, main
5206	5304527489	Washer
5207	5304527490	Nut
5277	5304527712	Element, convection, 3380w, (2)
5279	5304527474	Thermostat, rear, 180 deg. C
5280	5304527475	Counterweight, (2)
5305	5304527720	Shield, hidden bake, lower
5506	5304527436	Nut, fan blade, convection
6310	5304527491	Spacer, (4)
6326	5304527492	Probe, oven temp, PT1000 UL
6331	5304527494	Power Electronic, unit
7176	5304527437	Clamp, hose, RTE12000
7763	5304527498	Glide Kit, oven rack, RH and LH, telescopic
7890	5304527722	Motor, convection fan, (2)
7891	5304531574	Washer
7909	5304527501	Hook, attachment
7910	5304527502	Support, attachment hook
7953	5304527503	Bracket, attachment
7977	5304531575	Panel, back, main
8248	5304527524	Shield, feeder board
8259	5304527700	Insulation, oven back
8260	5304527701	Burner Box, support, hidden bake
8266	5304534121	Base, oven bottom
8273	5304527697	Clamp, wiring
8764	5304527530	Harness, wiring, meat probe
8874	5304527533	Spacer, PC board
9144	5304527783	Filter, electrical

BODY

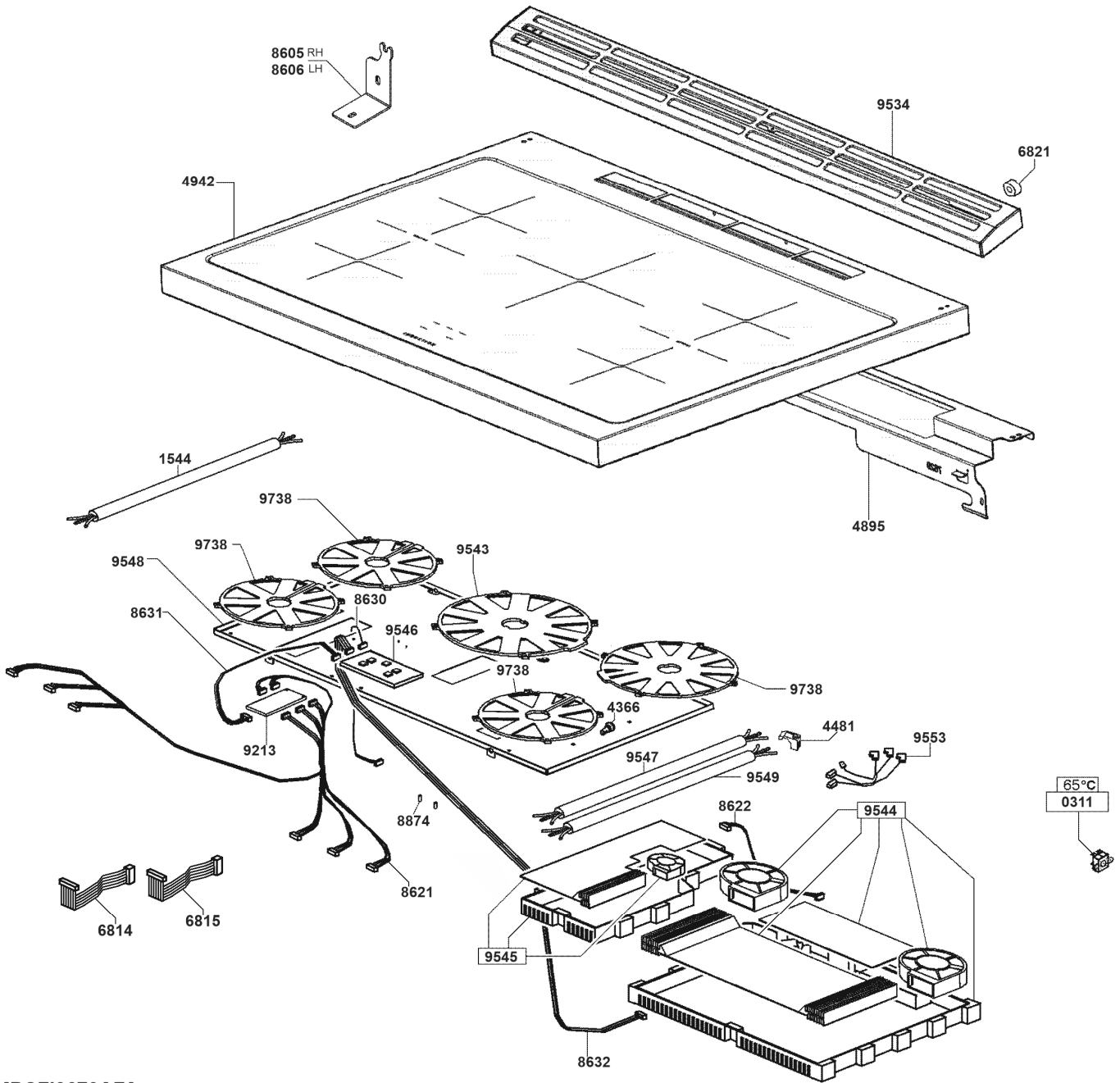


VPCFI3670AFA

BODY

POS. NO	PART NO.	DESCRIPTION
9247	5304527457	Brace, oven, RH rear
9248	5304527458	Brace, oven, LH rear
9527	5304527733	Cover, convection unit
9532	5304527737	Rack, oven, (3), handled
9533	5304527535	Probe, meat temp
9535	5304527738	Plinth, front, lower
9541	5304527740	Tray, drip, rear
9565	5304527743	Support, power board
9611	5304527540	PC Board, feeder, 120V-12/5V
9873	5304527771	Plinth Kit, assembly, LH and RH side
9898	5304527444	Clip, cable, stringing
9908	5304527568	Shield, protection

MAIN TOP / INDUCTION UNITS

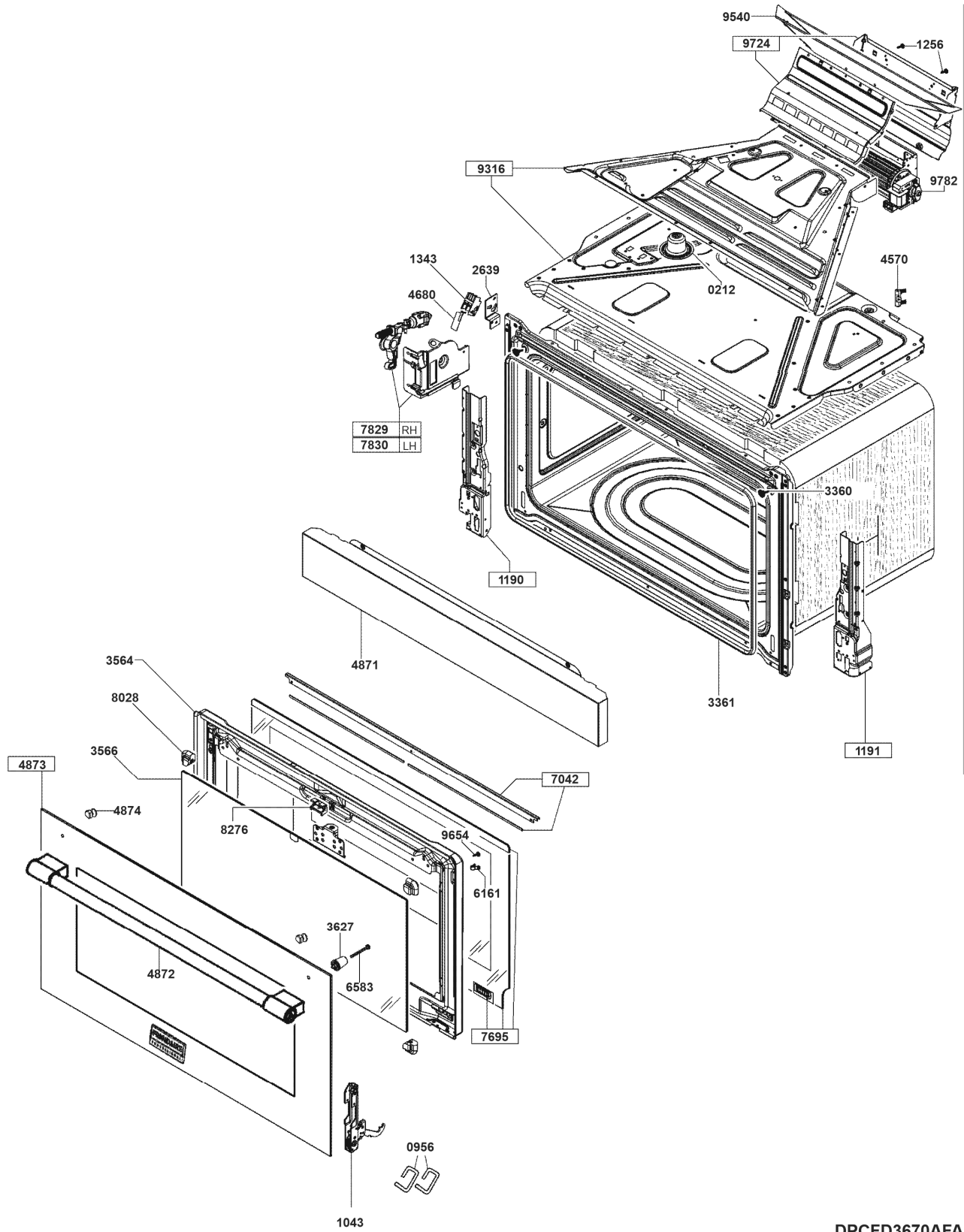


MPCFI3670AFA

MAIN TOP / INDUCTION UNITS

POS. NO	PART NO.	DESCRIPTION
0311	5304527778	Thermostat, safety, 65 deg. C
1544	5304529488	Harness, wiring
4366	5304527776	Spacer
4481	5304527773	Clamp, cable
4895	5304531613	Support, maintop, rear
4942	5304531630	Smoothtop, assembly, glass/steel, stainless
6814	5304532699	Harness, wiring, communication
6815	5304534122	Harness, wiring, filter, maintop
6821	5304527440	Spacer, frame, rear, (2)
8605	5304527728	Bracket, RH
8606	5304527729	Bracket, LH
8621	5304527805	Harness, wiring, potentiometers, to PC board
8622	5304527806	Harness, wiring, generator, to generator
8630	5304527780	Harness, wiring
8631	5304527807	Harness, wiring, pot board, to elec. board
8632	5304527808	Harness, wiring, elec. board, to generator
8874	5304527533	Spacer, PC board
9213	5304527777	PC Board, potentiometers
9534	5304527809	Trim, cook top, stainless, rear
9543	5304527811	Element, induction, 10 1/4", center rear
9544	5304527812	Generator Assembly, induction, RH, w/blower-hsing
9545	5304527813	Generator Assembly, induction, LH, w/blower-hsing
9546	5304527814	PC Board, controls, electronic unit
9547	5304527815	Harness, wiring
9548	5304527816	Carrier Panel, induction units
9549	5304527817	Harness, wiring
9553	5304527786	Harness, wiring, thermostats
9738	5304527804	Element, induction, 7 1/10", 1850/3000 watts, (4)

DOOR / COOLING-VENTING

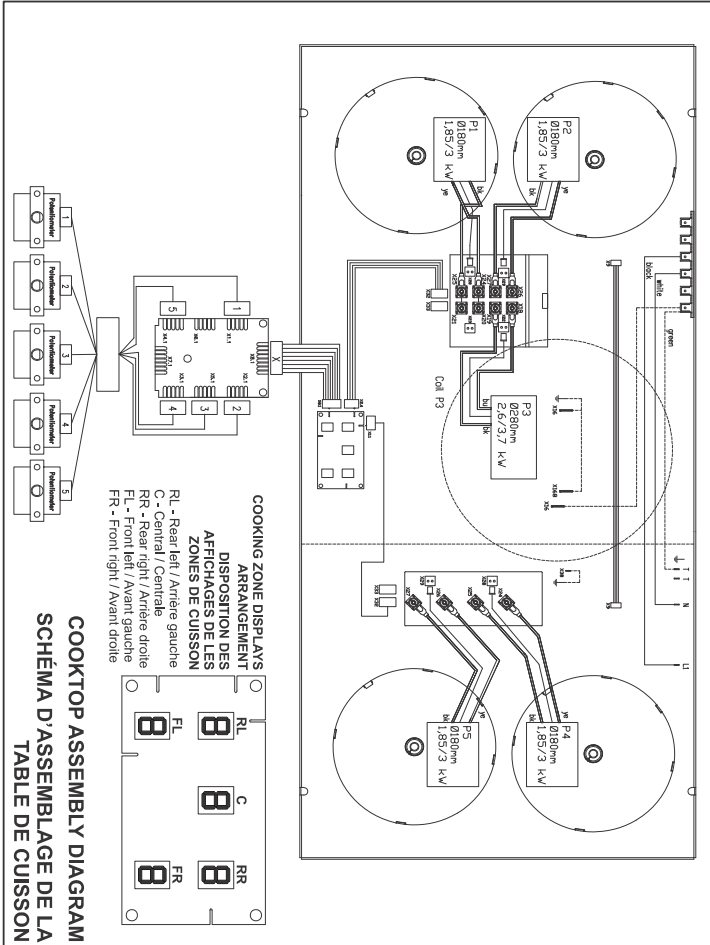
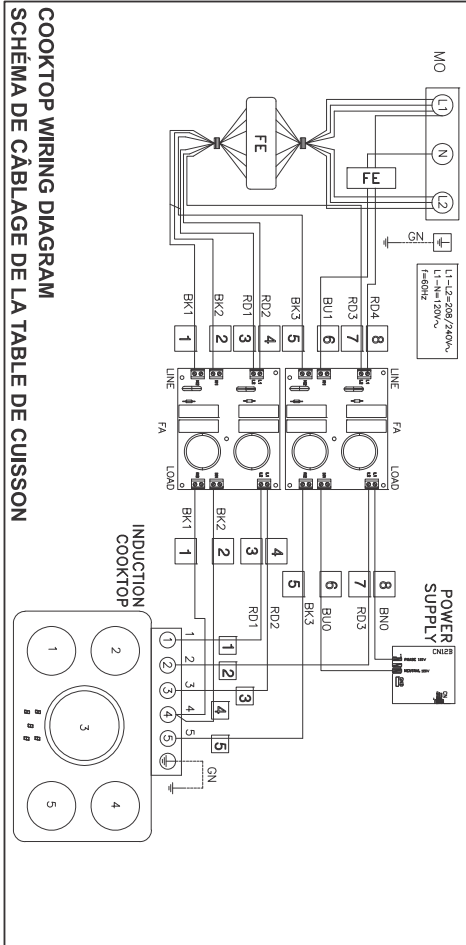
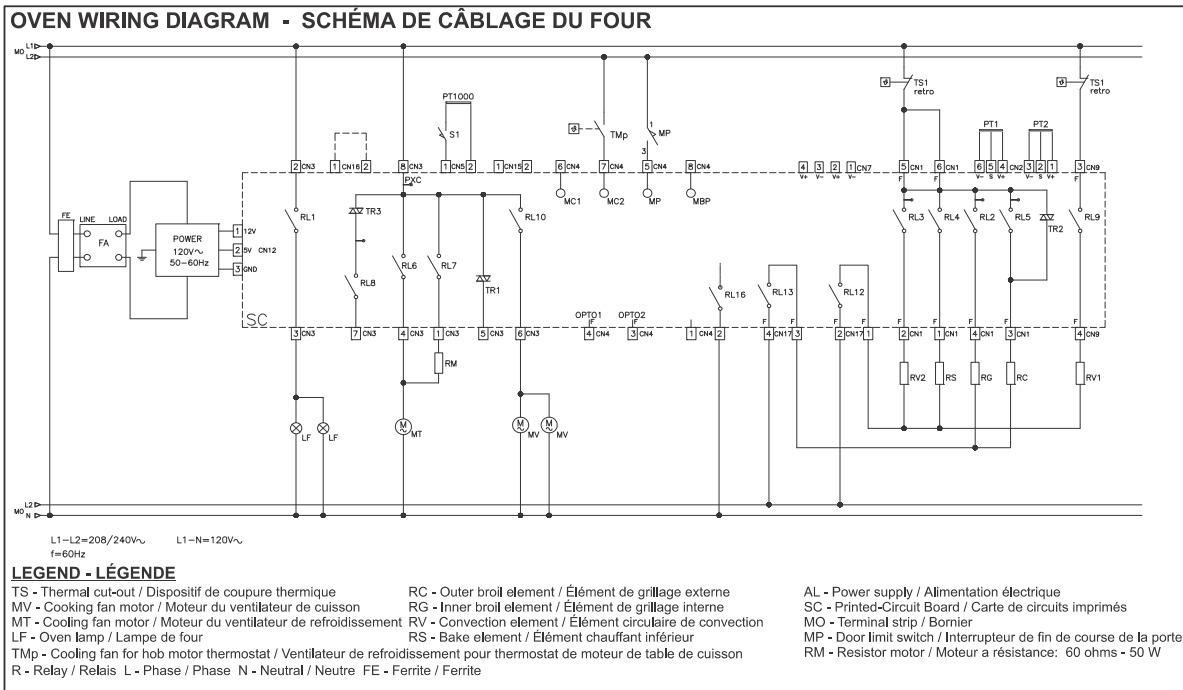


DPCFD3670AFA

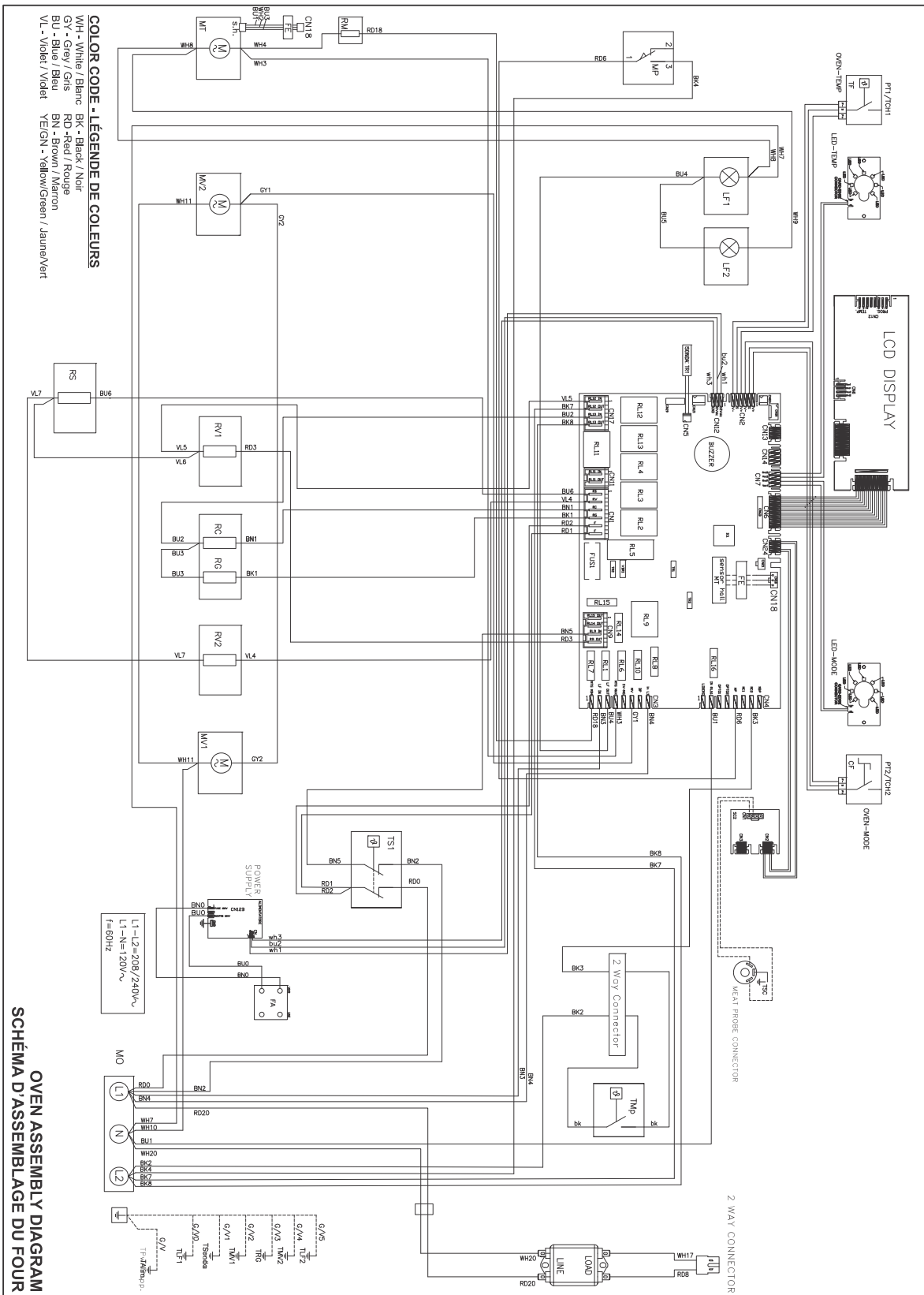
DOOR / COOLING-VENTING

POS. NO	PART NO.	DESCRIPTION
0212	5304527455	Chimney, oven catalyst
0956	5304527463	Hook, door hinge, oven, (2)
1043	5304531573	Hinge, door
1190	5304527705	Bracket, column, LH front
1191	5304527706	Bracket, column, RH front
1256	5304527707	Bumper, rubber, rear, (2), air duct
1343	5304527456	Switch, micro, door, 16A, 220V
2639	5304527469	Bracket, microswitch, door
3360	5304527471	Bumper, door, (2)
3361	5304527709	Gasket, oven door
3564	5304527717	Frame, inner door
3566	5304527718	Glass, door, middle
3627	5304531586	Spacer, door, inner
4570	5304527488	Heater, ceramic, 60 ohm, 50w
4680	5304527473	Lever, microswitch
4871	5304531589	Panel, bottom, stainless, front
4872	5304534036	Handle, door, stainless
4873	5304534037	Door Assembly, outer, stainless, w/badge
4874	5304531592	Guide pin, handle
6161	5304527446	Spring, pivot fixing, door
6583	5304527452	Screw, TSC zinc, M5 x 45, (2), door handle
7042	5304527713	Trim Assembly, door, upper
7695	5304527721	Door Glass, assembly, internal
7829	5304527499	Shock Absorber, assembly, door-RH, w/bracket
7830	5304527500	Shock Absorber, assembly, door-LH, w/bracket
8028	5304527714	Grommet, stopper, middle glass, (4)
8276	5304527464	Catch, door latch, inner
9316	5304527704	Air duct, assembly, cooling fan
9540	5304527739	Extension, air duct
9654	5304527448	Bumper, rubber
9724	5304527784	Support, assembly
9782	5304527479	Blower, motor, cooling fan

WIRING DIAGRAM



WIRING DIAGRAM



WIRING DIAGRAM

