

FRIGIDAIRE

Factory Parts Catalog



Product No.	PCFG3670AFA
Style	Professional
Series	36" gas range
Color	stainless
Market	North America
Owner's Guide	914779998
Installation Instructions	914780124
Service Data Sheet	913531606
Quick Start Guide	913531597

Frigidaire

P.O. BOX 8020
CHARLOTTE, NC 28262

Publication No.
5995731766
22/11/02
(EN/SERVICE/ECL)
377

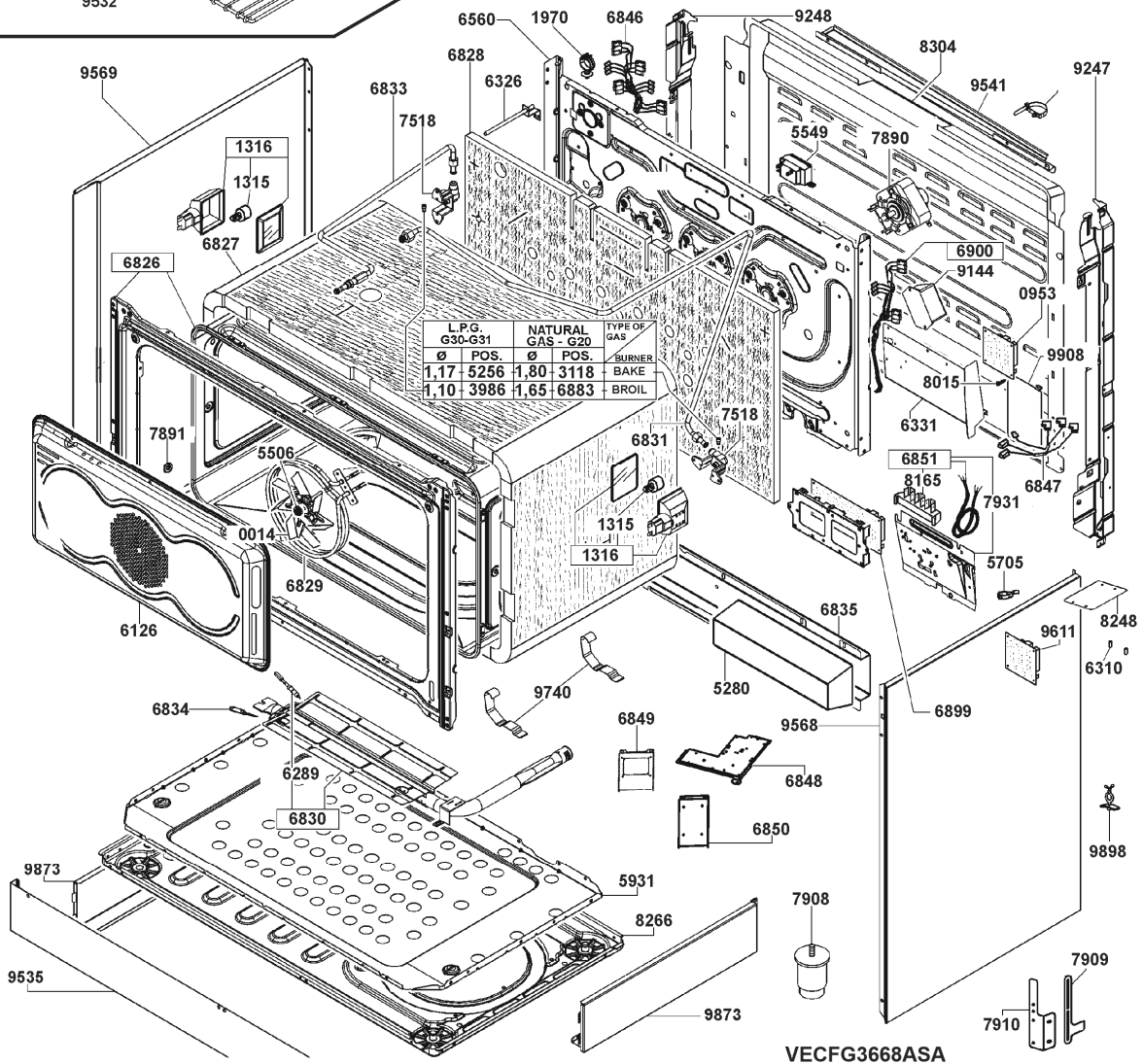
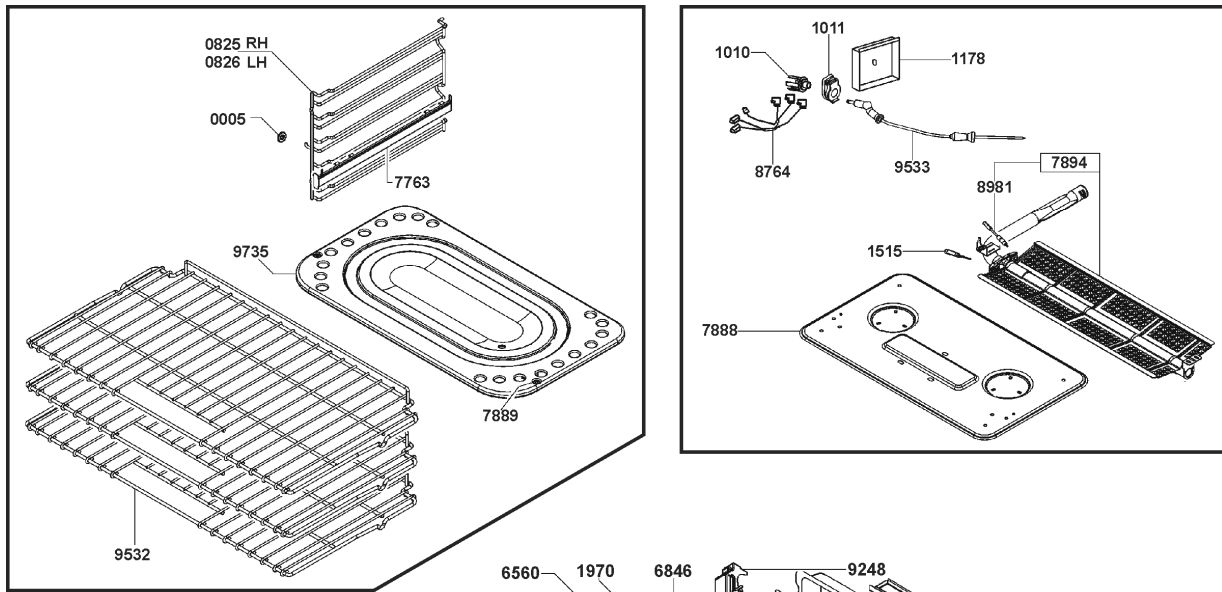
**36-INCH
FREE-STANDING
FRONT CONTROL
ELECTRIC RANGE**

Model No.
PCFG3670A

CONTROL PANEL / TOP BURNERS

POS. NO	PART NO.	DESCRIPTION
0564	5304529223	Screw, bracket, (10), control panel
0946	5304532683	Valve, solenoid, 2 way
0947	5304532684	Bracket, valve support
1320	5304527459	Orifice, natural gas, D.0, 75-750BTU, internal, dual burner
1562	5304527467	Orifice, LP gas, D.0, 48-750 BTU, internal, dual burner
1570	5304527483	Spring, knob
1715	5304527485	Spring Clip, burner
2207	5304529231	Connector, manifold tube
2471	5304529252	PC Board, control
2644	5304527708	Clamp, cable, (2)
3118	5304527435	Orifice, natural gas, D.1, 80-18K BTU, external, (2), dual burner
3444	5304527696	Orifice, LP gas, D.0, 91-12K BTU, external, (4), dual burner
4234	5304527487	Harness, wiring, communication, flat
4892	5304531610	Support, front panel
4893	5304531611	Support, control valves
4894	5304531612	Support, potentiometer
4896	5304531614	PC Board, power module, burner knob
4897	5304531615	Micro Switch, assembly, 8 switches, w/wiring
4898	5304531616	Micro Switch, assembly, 6 switches, w/wiring
4899	5304531617	Cable, communication
4900	5304531618	Cable, communication
4905	5304531619	Knob Assembly, top burner, stainless, w/spring
4906	5304531620	Knob Assembly, oven control, stainless, w/spring
4907	5304531621	Cable, lighting
4918	5304531629	Control Panel, stainless, 4918
6311	5304532116	Harness, wiring, connection, display
6393	5304527476	Switch, potentiometer, (2)
6799	5304534038	Controller, electronic, oven
6841	5304534040	Manifold, assembly, top burners
6842	5304532755	Tube, burner, LH rear, side
6884	5304527695	Orifice, natural gas, D.1, 35-12K BTU, external, (4), dual burner
6962	5304527447	Seal, gas, (2)
7411	5304527438	Orifice, LP gas, D.1, 15-18K BTU, external, (2), dual burner
7711	5304527497	Plate, burner
7732	5304527461	Cap, gas pipe
7959	5304527504	Screw, burner valve, (12)
8006	5304527505	Gasket, burner, auxiliary
8015	5304527772	Spacer, electronic unit
8793	5304527531	Regulator, gas stabilizer
9555	5304527536	Harness, wiring, potentiometers
9732	5304527750	Valve, dual burner, (4)
9733	5304527544	Valve, dual burner, (2)
9734	5304527545	Holder Assembly, dual burner, 750/18000 BTU, (2), D.1, 80 + D.0, 75
9736	5304527751	Holder Assembly, dual burner, 750/12000 BTU, (4), D.1, 35 + D.0, 75
9738	5304527752	Tube, burner, 750/12K BTU, LH rear, front connect
9739	5304527753	Tube, burner, 750/12K BTU, RH rear, front connect
9741	5304527754	Tube, burner, 750/12K BTU, center rear, front connect
9742	5304527755	Tube, burner, 750/18K BTU, LH front, rear connect
9743	5304527756	Tube, burner, 750/18K BTU, RH front, rear connect
9744	5304527757	Tube, burner, 750/12K BTU, center front, rear connect
9746	5304527759	Tube, burner, 750/12K BTU, RH rear, side connect
9747	5304527760	Tube, burner, 750/12K BTU, center rear, side connect
9748	5304527761	Tube, burner, 750/18K BTU, LH front, side connect
9749	5304527762	Tube, burner, 750/18K BTU, RH front, side connect
9750	5304527763	Tube, burner, 750/12K BTU, center front, side connect
9961	5304527449	Screw, burner

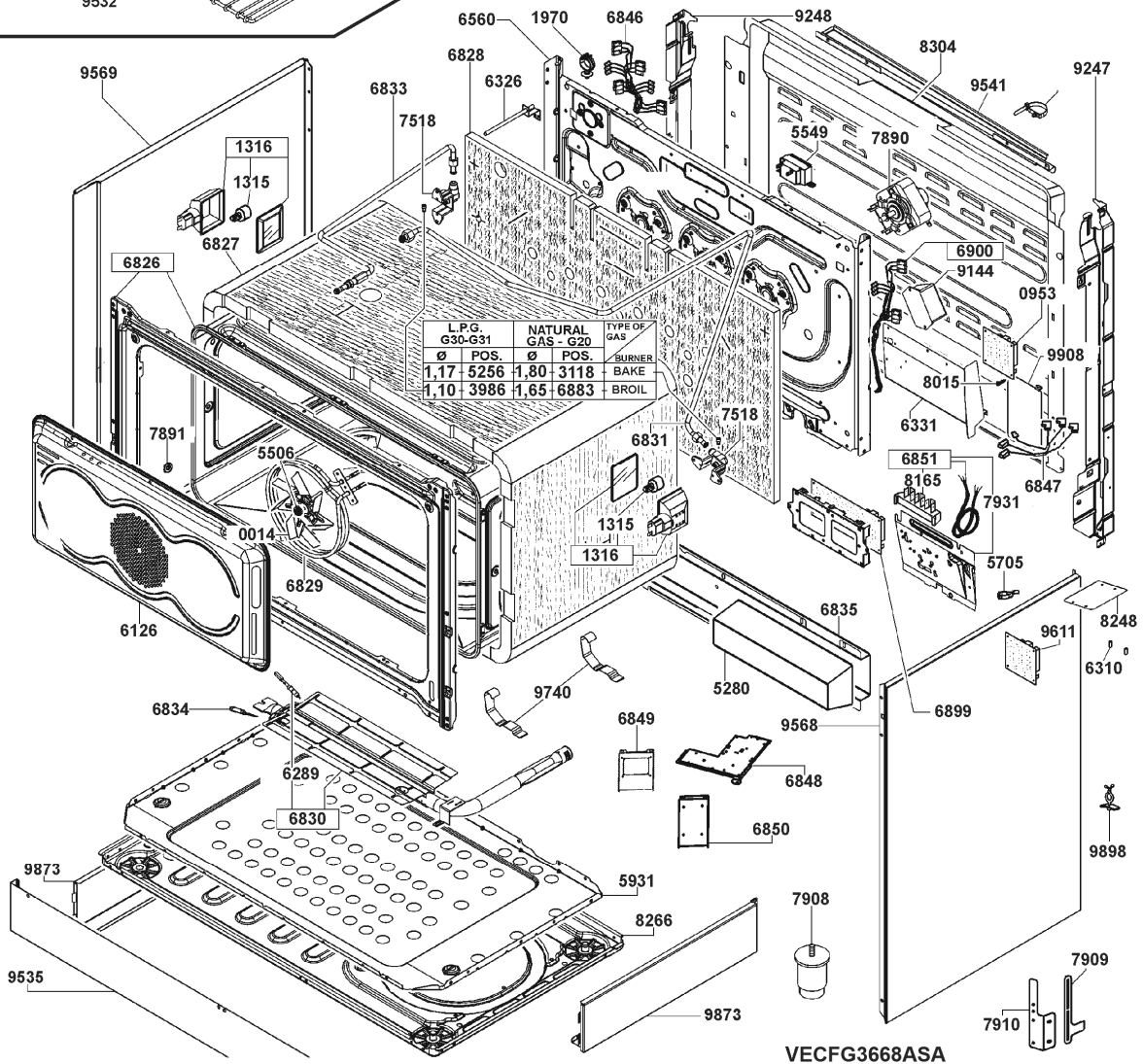
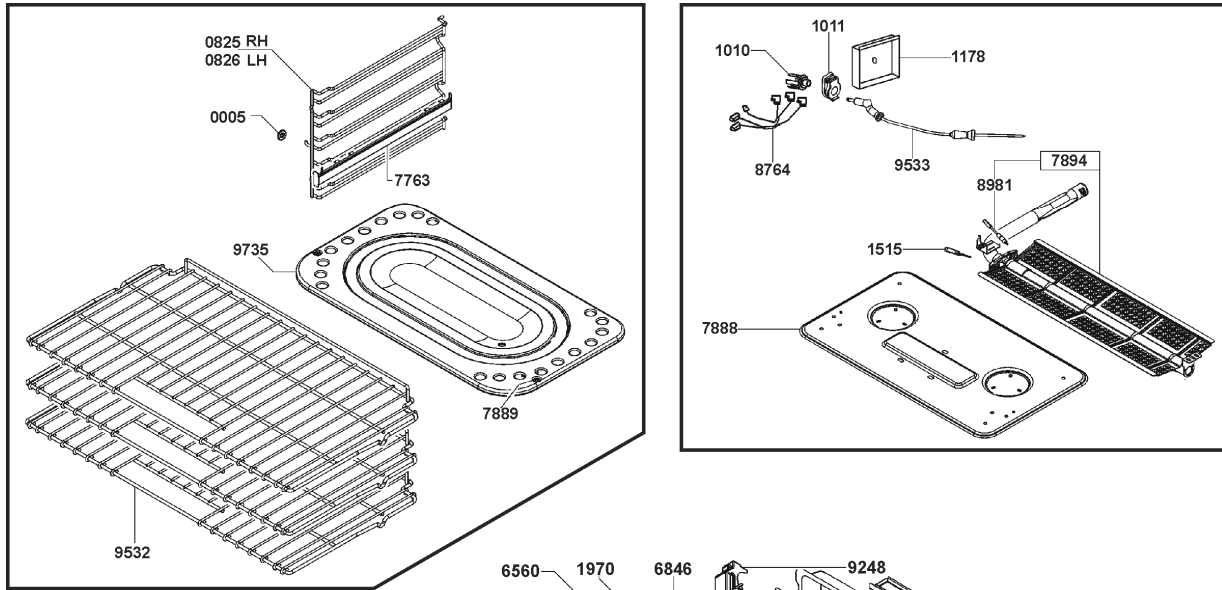
BODY



BODY

POS. NO	PART NO.	DESCRIPTION
0005	5304527453	Bushing, rack support
0014	5304527454	Blade, fan, convection, 7 vane
0825	5304531576	Glide Rail, rack, RH
0826	5304531577	Glide Rail, rack, LH
0953	5304532685	PC Board, electronic unit, valve
1010	5304527481	Receptacle, meat probe
1011	5304527482	Cover, receptacle, meat probe
1178	5304531579	Housing, probe shield
1315	5304527465	BULB, oven lamp, halogen, 40W, 120V, (2)
1316	5304527466	Lamp Assembly, halogen, oven, 40W, 120V, (2), w/bulb
1515	5304532733	Thermocouple, broil burner
1970	5304527468	Clamp, cable, (6)
3118	5304527435	Orifice, natural gas, D.1, 80-18K BTU, external, (2), dual burner
3986	5304532725	Orifice, LP gas, 1.10, broil burner
5256	5304532679	Orifice, LP gas, 1.17, oven burner
5280	5304527475	Counterweight, (2)
5506	5304527436	Nut, fan blade, convection
5549	5304532682	Thermostat, double, 220 deg C
5705	5304532678	Clamp, wiring
5931	5304532734	Shield, oven burner, lower
6126	5304532732	Cover, convection fan
6289	5304532740	Ignitor, oven burner
6310	5304527491	Spacer, (4)
6326	5304527492	Probe, oven temp, PT1000 UL
6331	5304527494	Power Electronic, unit
6560	5304532741	Panel, oven back
6826	5304532742	Liner Assembly, oven, w/front frame
6827	5304532743	Insulation, oven wrapper
6828	5304532744	Insulation, oven rear
6829	5304532700	Element, convection
6830	5304532745	Bake Burner, assembly, w/ignitor
6831	5304532746	Tube, oven burner, supply
6833	5304532748	Tube, broil burner, supply
6834	5304532749	Thermocouple, oven burner
6835	5304532750	Support Bracket, weight
6846	5304532701	Harness, wiring, LH side
6847	5304532702	Harness, wiring
6848	5304532757	Support
6849	5304532758	Support
6850	5304532759	Support
6851	5304532760	Power Cord, electric servc
6883	5304532724	Orifice, natural gas, 1.65, broil burner
6899	5304534041	PC Board, power, main
6900	5304534042	Harness, wiring, main
7518	5304532673	Nozzle, support, burner
7763	5304527498	Glide Kit, oven rack, RH and LH, telescopic
7888	5304532735	Shield, broil burner, upper
7889	5304532736	Spacer, oven bottom
7890	5304527722	Motor, convection fan, (2)
7891	5304531574	Washer
7894	5304532737	Broil Burner, assembly, w/ignitor

BODY



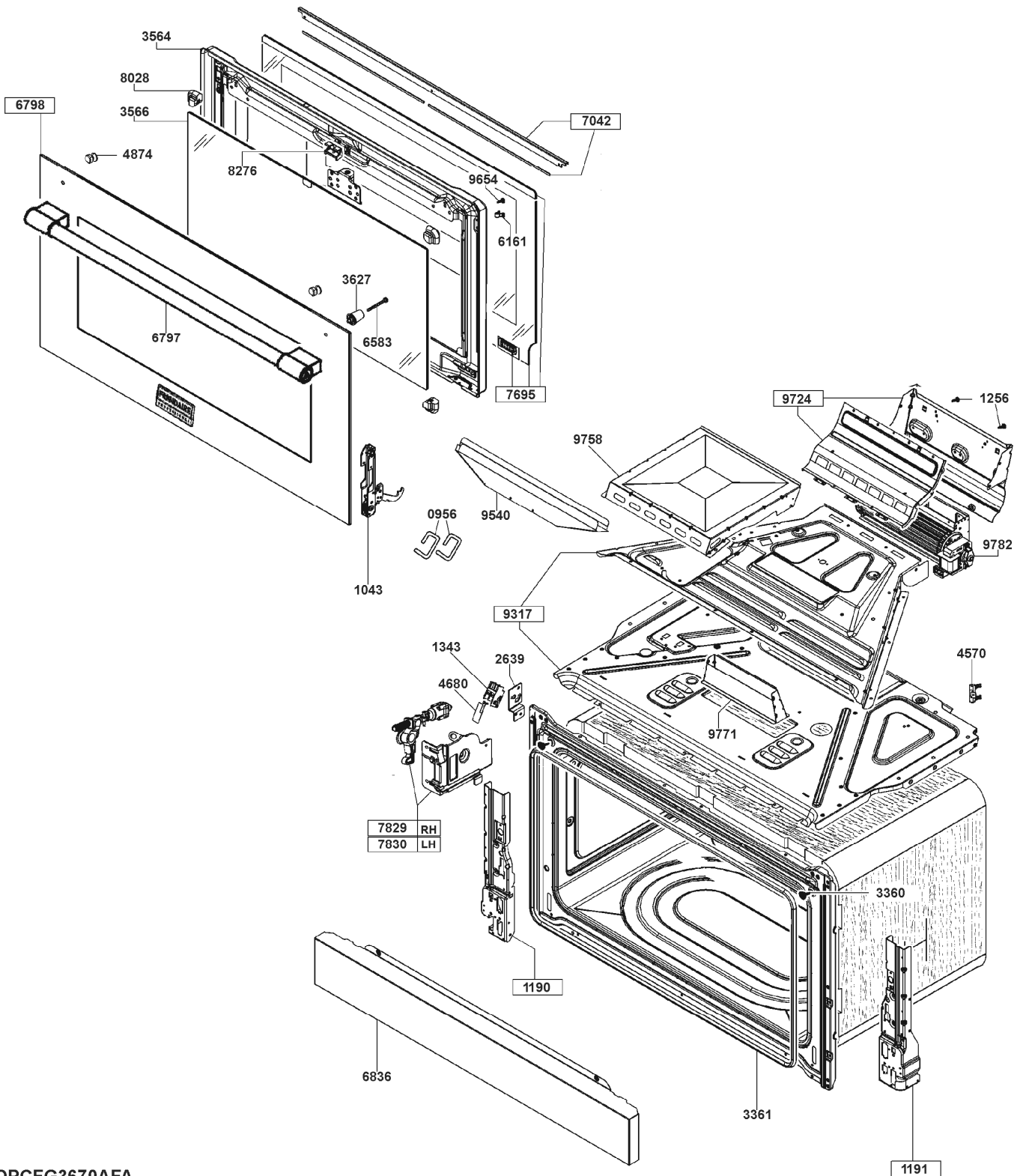
BODY

POS. NO	PART NO.	DESCRIPTION
7908	5304531585	Foot Kit, cabinet, (includes 4)
7909	5304527501	Hook, attachment
7910	5304527502	Support, attachment hook
7931	5304532738	Junction Box, main wiring, w/terminal blk
8015	5304527772	Spacer, electronic unit
8165	5304527478	Terminal Block, electrical
8248	5304527524	Shield, feeder board
8266	5304527703	Base, oven bottom
8304	5304532726	Panel, main back
8764	5304527530	Harness, wiring, meat probe
8981	5304532727	Ignitor, broil burner
9144	5304527783	Filter, electrical
9247	5304527457	Brace, oven, RH rear
9248	5304527458	Brace, oven, LH rear
9532	5304527737	Rack, oven, (3), handled
9533	5304527535	Probe, meat temp
9535	5304527738	Plinth, front, lower
9541	5304527740	Tray, drip, rear
9568	5304531626	Panel, side, stainless, RH
9569	5304531627	Panel, side, stainless, LH
9611	5304527540	PC Board, feeder, 120V-12/5V
9735	5304532729	Panel, oven bottom
9740	5304532681	Clip, insulation
9771	5304532731	Chimney, oven vent
9873	5304527771	Plinth Kit, assembly, LH and RH side
9898	5304527444	Clip, cable, stringing
9908	5304527568	Shield, protection

MAIN TOP

POS. NO	PART NO.	DESCRIPTION
1714	5304527484	Thermocouple, +OR mm600
2727	5304532680	Module, ignitor spark
2999	5304531583	Foot, grate, rubber
3359	5304527470	Clip, wiring, spark ignitor
4616	5304532672	Thermostat, safety, 100 deg C
4724	5304531588	Ignitor, spark, top burner
4875	5304531593	Grate, top burner, black, LH
4876	5304531594	Grate, top burner, black, RH
4877	5304531595	Grate, top burner, black, center
4878	5304531596	Maintop, assembly, stainless
4879	5304531597	Ignitor, spark, top burner
5463	5304527445	Nut, thermocouple, top burner
6814	5304532699	Harness, wiring, communication
6821	5304527440	Spacer, frame, rear, (2)
6832	5304532747	Bracket, module
6836	5304527495	Cap, dual burner, 12K, black, internal
6837	5304532751	Side Bracket, assembly, rear trim
6838	5304532752	Trim, top rear, stainless
6839	5304532753	Bracket, rear trim
6840	5304532754	Bracket
6843	5304532756	Support, back panel
7403	5304527460	Screw, burner, M4 x 8
8605	5304527728	Bracket, RH
8606	5304527729	Bracket, LH
9644	5304527443	Module, spark ignitor, (2)
9728	5304527543	Bracket, support, (2)
9737	5304527547	Plate, cook top, (2)
9752	5304527548	Harness, wiring, thermostats
9767	5304527550	Burner, support, cook top, flame spreader
9768	5304527551	Burner Cap, flame spreader, 18K, brass, LH/RH front, (2)
9769	5304527552	Burner Cap, flame spreader, black
9770	5304527553	Cap, dual burner, 18K, brass, LH/RH front, (2)

DOOR / COOLING - VENTING

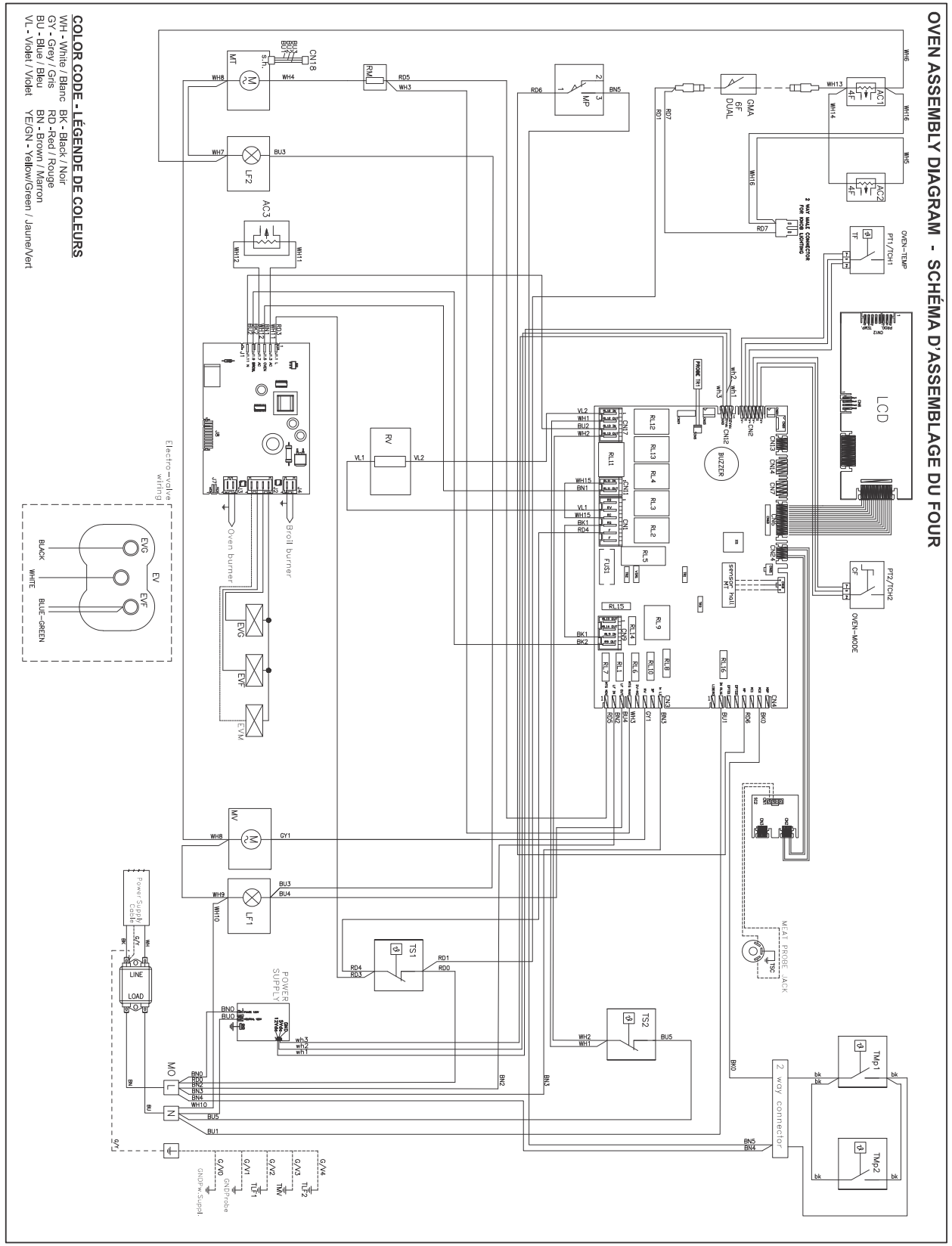


DPCFG3670AFA

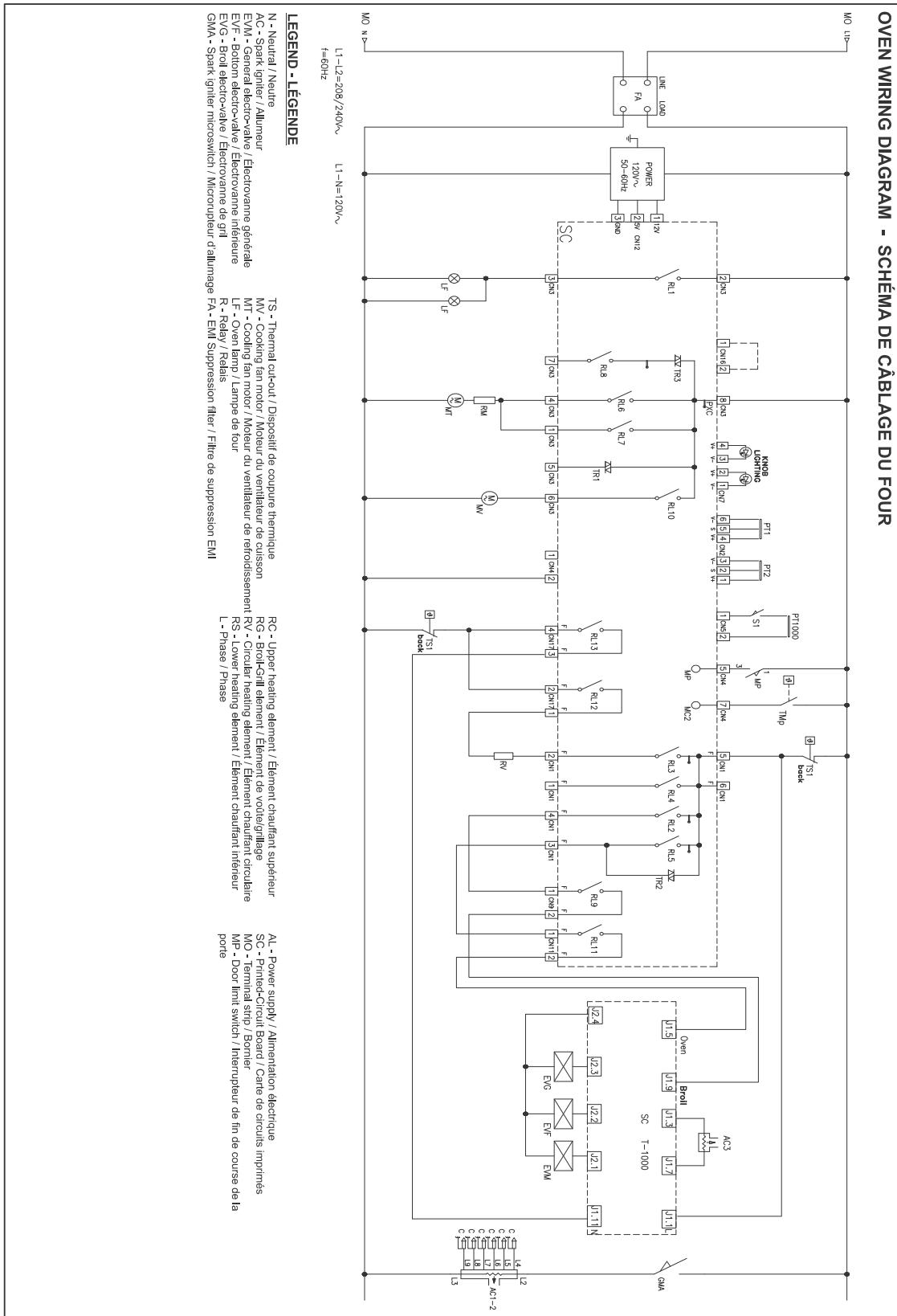
DOOR / COOLING - VENTING

POS. NO	PART NO.	DESCRIPTION
0956	5304527463	Hook, door hinge, oven, (2)
1043	5304531573	Hinge, door
1190	5304527705	Bracket, column, LH front
1191	5304527706	Bracket, column, RH front
1256	5304527707	Bumper, rubber, rear, (2), air duct
1343	5304527456	Switch, micro, door, 16A, 220V
2639	5304527469	Bracket, microswitch, door
3360	5304527471	Bumper, door, (2)
3361	5304527709	Gasket, oven door
3564	5304527717	Frame, inner door
3566	5304527718	Glass, door, middle
3627	5304531586	Spacer, door, inner
4570	5304527488	Heater, ceramic, 60 ohm, 50w
4680	5304527473	Lever, microswitch
4874	5304531592	Guide pin, handle
6161	5304527446	Spring, pivot fixing, door
6583	5304527452	Screw, TSC zinc, M5 x 45, (2), door handle
6797	5304534036	Handle, door, stainless
6798	5304534037	Door Assembly, outer, stainless, w/badge
6836	5304534039	Panel, service, lower
7042	5304527713	Trim Assembly, door, upper
7695	5304527721	Door Glass, assembly, internal
7829	5304527499	Shock Absorber, assembly, door-RH, w/bracket
7830	5304527500	Shock Absorber, assembly, door-LH, w/bracket
8028	5304527714	Grommet, stopper, middle glass, (4)
8276	5304527464	Catch, door latch, inner
9317	5304532728	Air duct, assembly, cooling fan
9540	5304527739	Extension, air duct
9654	5304527448	Bumper, rubber
9724	5304527542	Support, assembly, cooling motor
9758	5304532730	Air duct, cooling motor, upper
9771	5304532731	Chimney, oven vent
9782	5304527479	Blower, motor, cooling fan

WIRING ASSEMBLY DIAGRAM



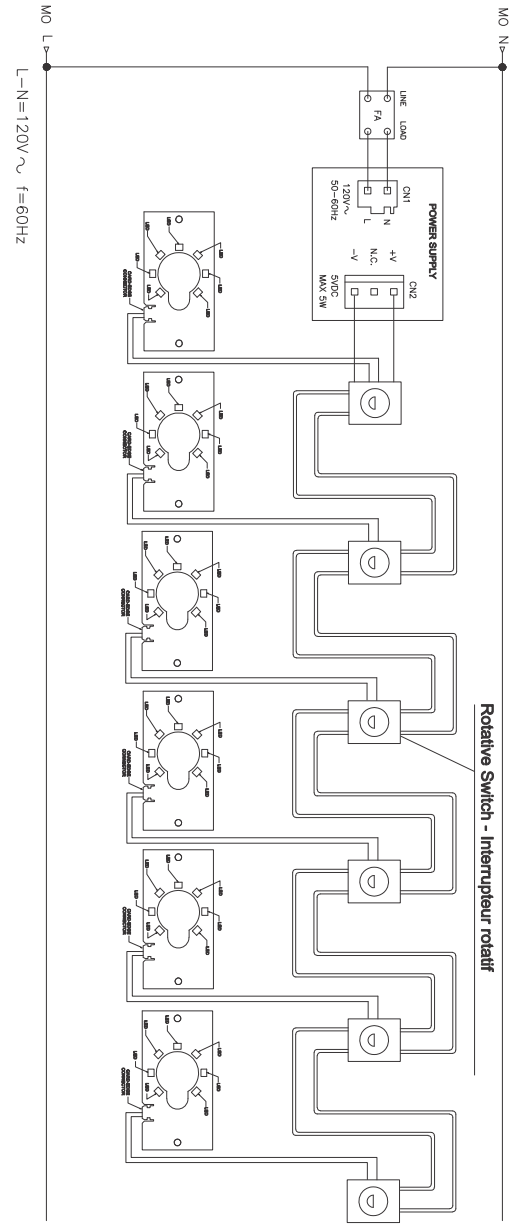
WIRING DIAGRAM



KNOB WIRING DIAGRAMS

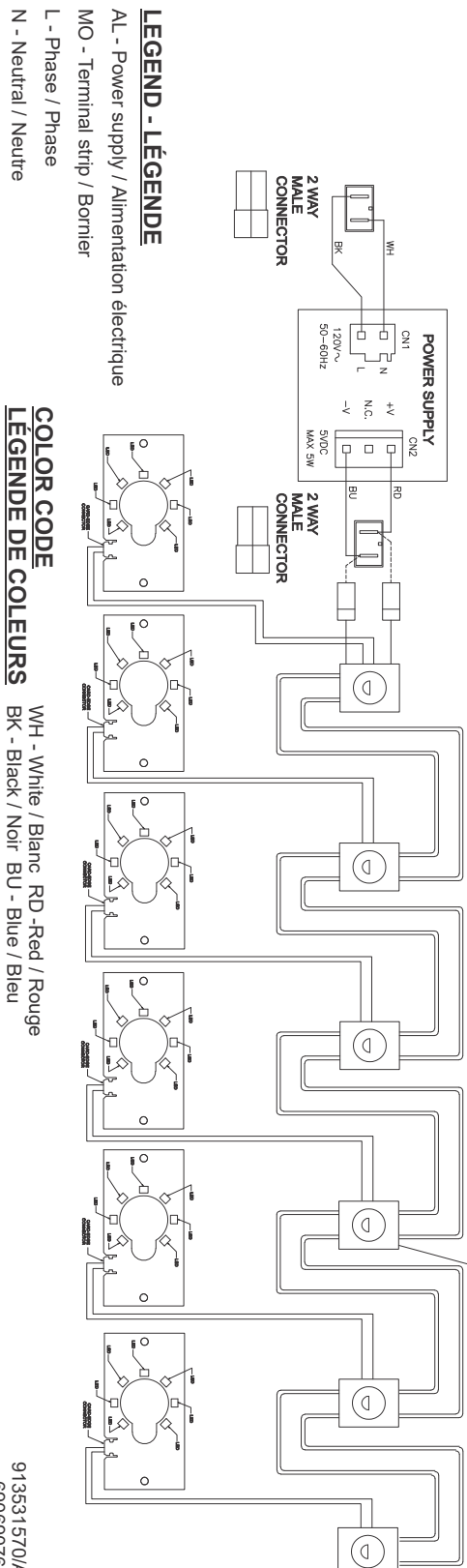
KNOB LIGHTING WIRING DIAGRAM
SCHEMA DE CÂBLAGE D'ÉCLAIRAGE DE BOUTONS

- LEGEND - LÉGENDE**
- AL - Power supply / Alimentation électrique
 - MO - Terminal strip / Bornier
 - L - Phase / Phase
 - N - Neutral / Neutre
 - FA - Noise filter / Filtre de suppression



KNOB LIGHTING ASSEMBLY DIAGRAM - SCHEMA D'ASSEMBLAGE D'ÉCLAIRAGE DE BOUTONS

Rotative Switch - Interrupteur rotatif



COLOR CODE
LEGENDE DE COULEURS

- WH - White / Blanc
- RD - Red / Rouge
- BK - Black / Noir
- BU - Blue / Bleu

913531570/A
 690690761