



FRIGIDAIRE

Factory Parts Catalog

Product No.	GCFG3059BFA
Base Model	GCFG3059B
Color	stainless
Market	North America
Wiring Diagram	A23710005
Owner's Guide	A29530101
Installation Instructions	809127209
Service Data Sheet	A23937305
Quick Start Guide	A22474834

Frigidaire

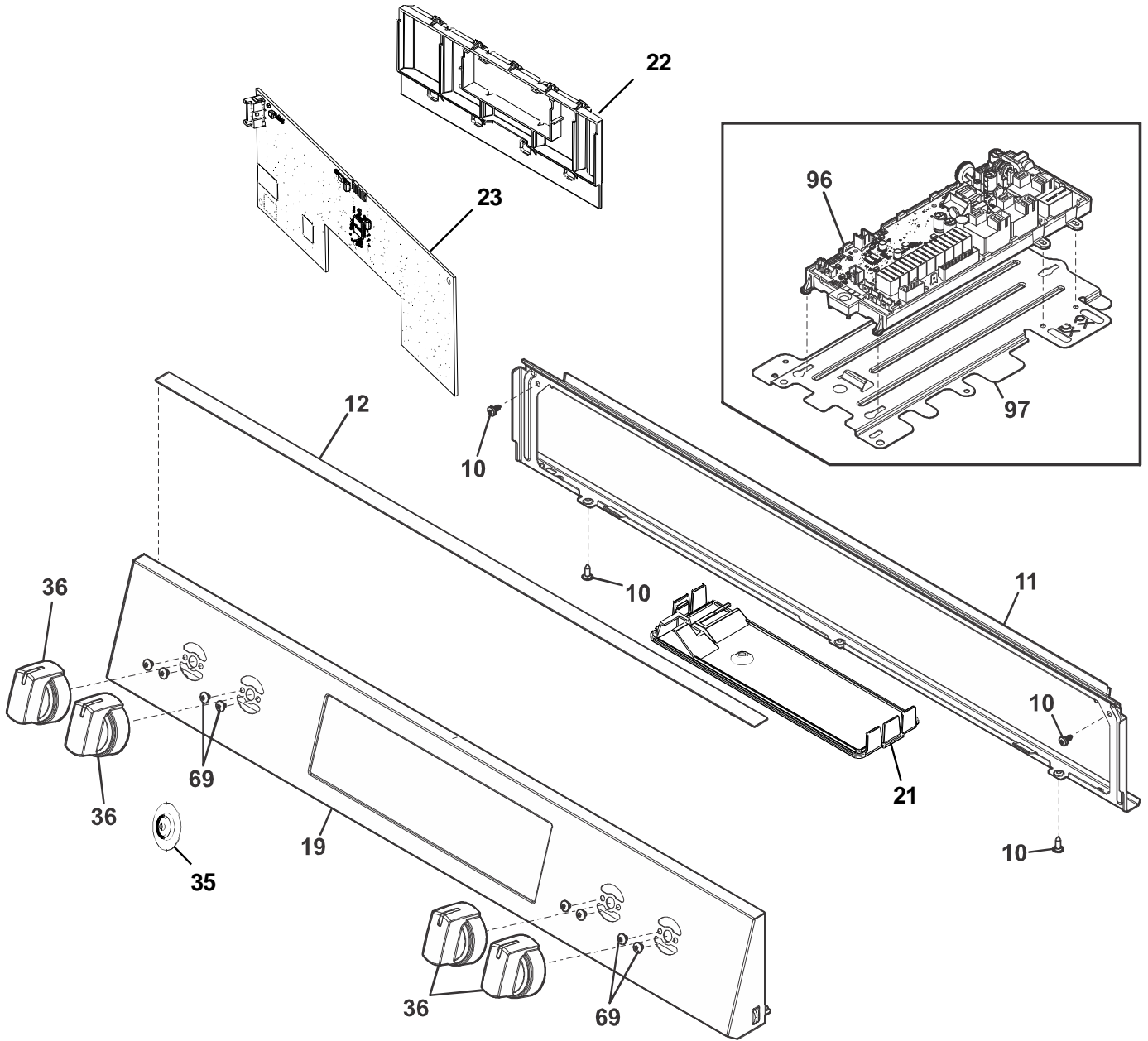
P.O. BOX 8020
CHARLOTTE, NC 28262

Publication No.
5995747903
25/07/04
(EN/SERVICE/)
369

30-INCH FREE- STANDING GAS RANGE

Model No.
GCFG3059B

BACKGUARD



GCFG3059B FA

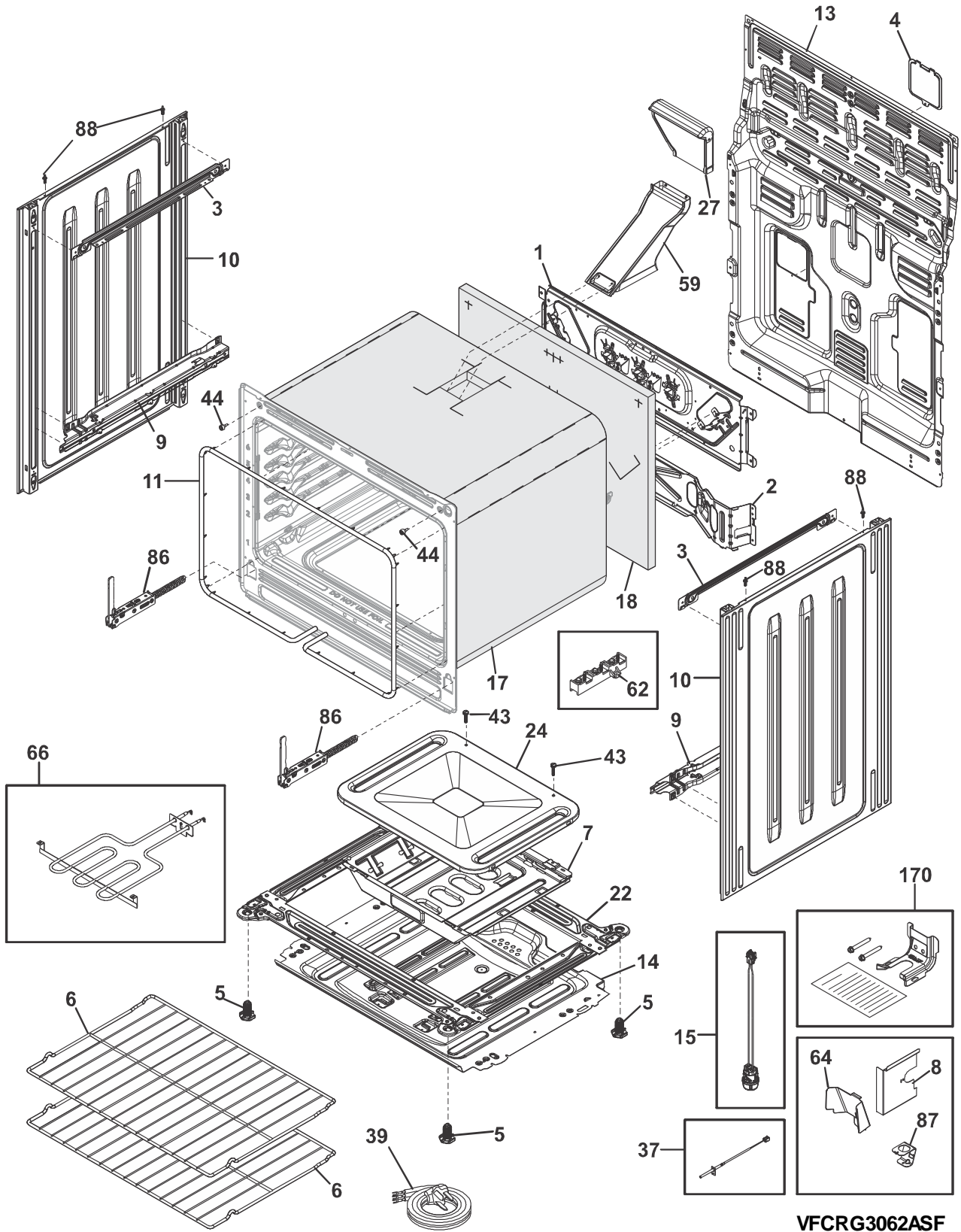
BACKGUARD

POS. NO	PART NO.	DESCRIPTION
10	5304526232	Screw, T-20 ST, 8-24 x 3/8
11	5304528295	Bracket, support, front control
12	5304534089	Seal, maintop panel
19	5304538837	Control Panel, assembly, stainless
21	5304538627	Cover, control UI
22	5304533876	Chassis, control
23	140199403027	Control Board, HMI hector
35	5304508440	Bushing, insulating
36	5304536322	Knob, top valve, stainless
56	5304526234	Screw, M4, 2 x 10, sheet metal, black
62*	316001003	Screw, ground wire
96 #	5304535108	PC Board, OVC relay
97	5304528372	Bracket, OVC board
97*	5304528293	Screw, T20, 8-18 x .79
*	316089500	Screw, 10-16 x .486
*	5304526533	Screw, T15, 8-18 1/2, black
*	5304536410	Standoff, harness clamp
*#	5304538629	Harness, MACS to UI

BURNER

POS. NO	PART NO.	DESCRIPTION
1	140141578074	Pipe, manifold
2 #	5304506549	Valve, top burner, blue stem, 1125BTU
2A #	5304506548	Valve, top burner, green stem, 850BTU
2B #	5304506551	Valve, top burner, pink stem, 2500BTU
2C #	5304506547	Valve, top burner, black stem, 500BTU
2D #	5304507282	Valve, top burner, red stem, 1800BTU
3 #	5304534084	Harness Assembly, ignitor, w/switches
8 #	808608804	Spark Module
8*	5304526533	Screw, T15, 8-18 1/2, black
9 #	5304535305	Tube, manifold, regulator
10	5304537944	Crown, burner, small
10A	5304537945	Crown, burner, medium
10B	5304537946	Crown, burner, xtra large
10C	5304537947	Crown, burner, large
10D	5304537948	Burner, Crown, 10k, oval
11 #	5304533857	Ignitor/orifice, assembly, 14K
11A#	5304533853	Ignitor/orifice, assembly, 10K
11C#	5304533582	Ignitor/orifice, assembly, 5K BTU, RH rear
11D#	5304533611	Ignitor/Orifice Assembly, 18K, assembly
12 #	5304534678	Tube, burner, LH front
12A#	5304534680	Tube, burner, LH rear
12B#	5304534681	Tube, burner, center
12C#	5304534679	Tube, burner, RH rear
12D#	5304534677	Tube, burner, RH front
13	354324403	Screw, T10 washr, M2.9 x 13
14 #	5304498819	Regulator, pressure
14*	349098702	Screw, T-20 trilobe, M4 x 7.5, regulator
15	5304533619	Cap, burner, large
15A	5304533596	Cap, burner, medium
15B	5304534690	Cap, burner, oval, black
15C	5304533595	Cap, burner, small
15D	5304533597	Cap, burner, xtra large
17#	140172164018	Valve, safety, single port
18 #	5304533840	Burner, bake
19 #	5304534663	Ignitor, bake/broil
21	5304533911	Shield, bake bracket
22	5304535280	Bracket, holder, bake orifice
22*	5304528293	Screw, T20, 8-18 x .79
23	5304534683	Bracket, tubing
24	5304534687	Bracket, harness
24*	316001003	Screw, ground wire
25 #	5304534667	Tube, supply, regulator, to safety
26 #	5304534673	Tube, supply, regulator to, manifold
27 #	5304534665	Tube Assembly, bake burner
28	5304534684	Screw, tube bracket
72	316215601	Screw, valve mtg., 1/4 - 20, T-20
*	3203010	Fastener, U-type, (2)
*	316089500	Screw, 10-16 x .486
*	387854510	Screw, DIN 7981, 4, 2 x 9, 5, (9)
*	387856311	Screw, 4.2 x 10
*	387872717	Screw, M4, 2 x 10, black, w/washer

BODY

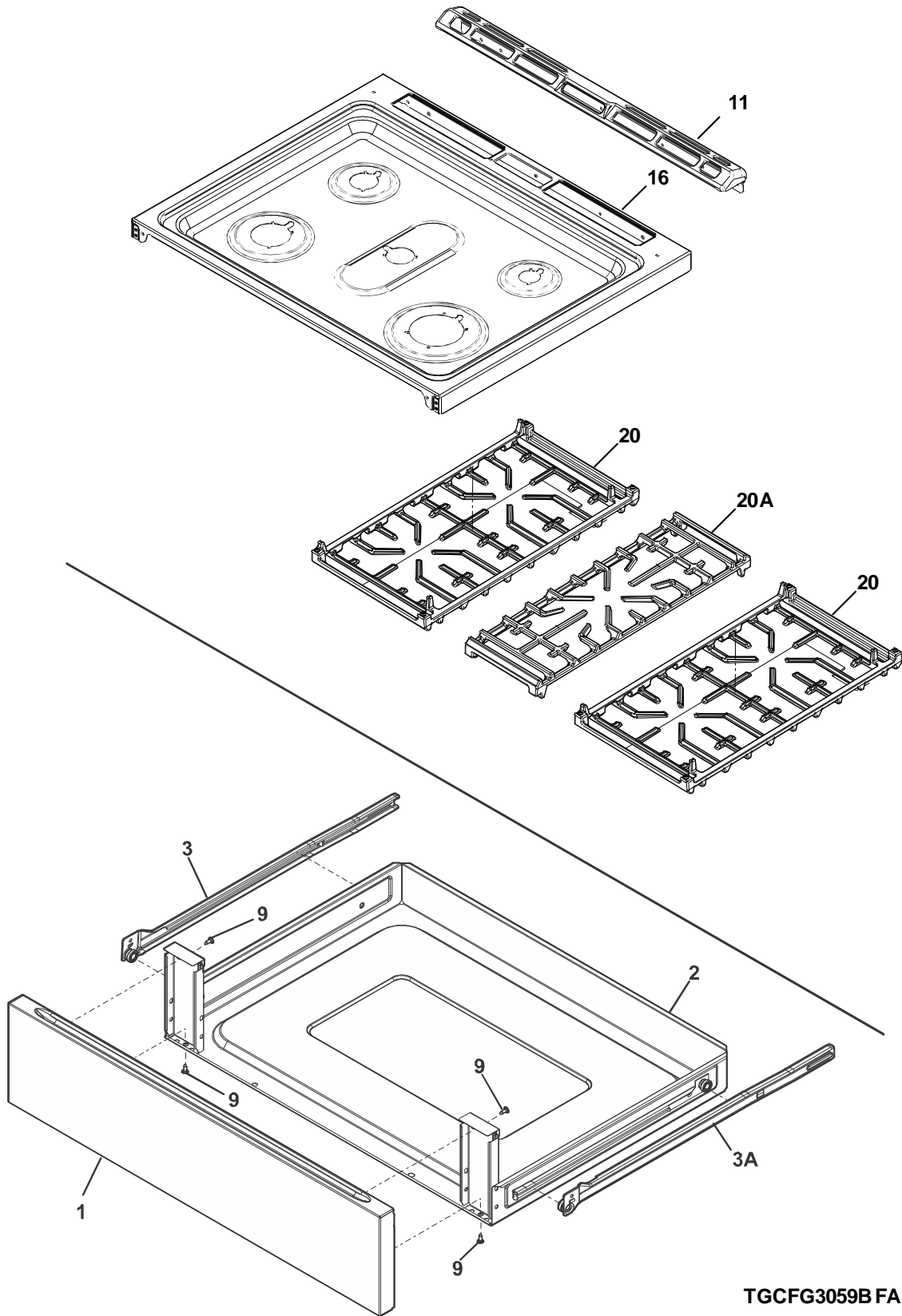


VFCRG3062ASF

BODY

POS. NO	PART NO.	DESCRIPTION
1	140152666081	Plate, rear component, upper
2	5304533425	Bracket, components, lower
3	5304526493	Bracket, side panel, cooling
4	5304528328	Cover, wiring
5	316272900	Screw, leveling, plastic, rear, (2)
6	5304531722	Rack, oven, flat
7	5304534661	Box, burner, bake
8	5304533923	Cover, terminal block
9	5304528546	Receptacle, hinge carrier
10	5304526334	Panel, body side, black
11	5304526243	Seal, door
11*	5304528293	Screw, T20, 8-18 x .79
12 #	318394805	Switch, light, door
13	5304536325	Shield, rear wire, small
13*	5304533495	Screw, SD hex washer, 4.2 x 12.7
14	5304533860	Shield, insulation, lower
15 #	5304533411	Lamp Assembly, oven, G9 40W, halogen
17	5304538074	Insulation, wrapper
18	5304528187	Insulation, oven back
22	5304533415	Base Rail, assembly
23	5304533976	Guard, lower, plastic, black
24	5304535291	Bottom, oven, midnight black
25	5304534668	Shield, heat, rear
26	5304534669	Shield, heat, front
27	5304534672	Cover, duct
28	5304534674	Diverter, exhaust
29	5304534685	Shield, diverter
37 #	5304533448	Probe, oven temp, sensor
39 #	5304534691	Cord, power
43	3131732	Screw, 8-18 x 1.438, oven bottom
44	316517600	Bumper, front, main
59	5304534664	Flue, assembly
62*	316001003	Screw, ground wire
62*	316205500	Nut, hex flange, 3/8 10-32
62#	A20698901	Terminal Block
64	5304528550	Shield, terminal block
66 #	5304533847	Element, broil, 6 pass
86	5304526279	Hinge, oven door, orange, 2 spring
86*	5304526532	Screw, M4.2 x 9.5, black
87	5304533922	Bracket, power cord
88	316099501	Pin, guide
107	5304526365	Cover, fan, midnight black, convection
108#	5304537802	Blower Assembly
109	5304525455	Blade, fan, convection
110	5304528419	Duct Assembly, exhaust, cooling
111	561231207	Nut, fan blade
125#	5304528165	Motor, convection fan
130	5304534670	Duct Assembly, cooling
161#	5304528164	Element, convection, 1000W
170	316112010	Anti Tip Kit, assy, 30", w/template
*	5304536410	Standoff, harness clamp
* #	5304534091	Harness, wiring, low voltage
* #	5304536319	Harness, wiring, main
*	387872717	Screw, M4, 2 x 10, black, w/washer
*	5304526232	Screw, T-20 ST, 8-24 x 3/8
*	5304526234	Screw, M4, 2 x 10, sheet metal, black
*	5304526533	Screw, T15, 8-18 1/2, black
*	5304534695	Screw, self drill, M3.5 x 9.5
*	316089500	Screw, 10-16 x .486
*	387854510	Screw, DIN 7981, 4, 2 x 9, 5, (9)

TOP/DRAWER

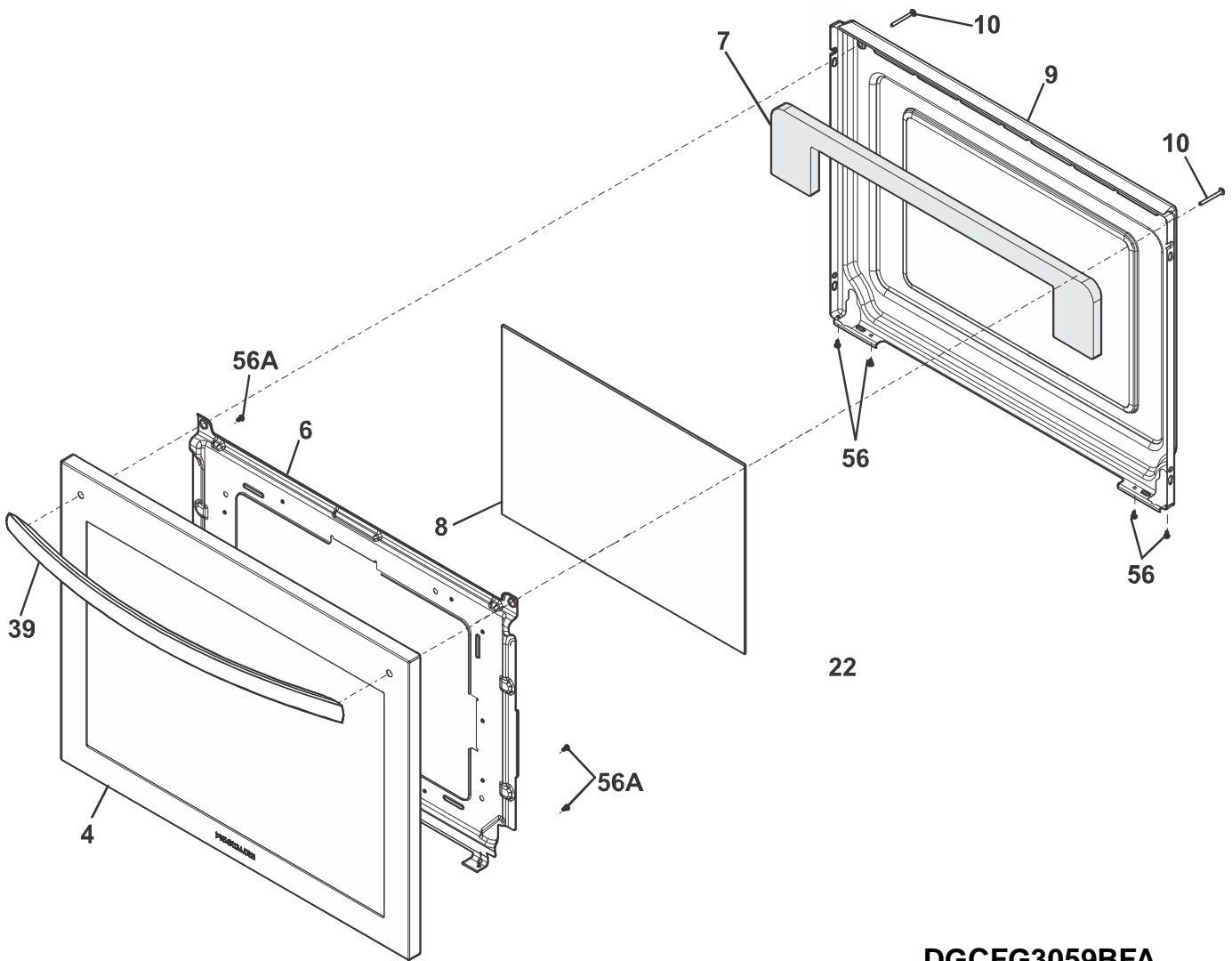


TGCFG3059BFA

TOP/DRAWER

POS. NO	PART NO.	DESCRIPTION
1	5304526303	Panel, drawer, EZ care stnless, outer
2	5304526448	Drawer Assembly, utility, w/inner glides
3	5304526306	Glide, drawer, black, LH outer
3A	5304526307	Glide, drawer, black, RH outer
9	5304526533	Screw, T15, 8-18 1/2, black
11	5304534686	Trim, rear vent, black
11*	5304528293	Screw, T20, 8-18 x .79
16	5304534675	Maintop, assembly, black
20	5304535283	Grate, side
20A	5304535284	Grate, center
*	5304526232	Screw, T-20 ST, 8-24 x 3/8
*	316001003	Screw, ground wire
*	316089500	Screw, 10-16 x .486
*	387854510	Screw, DIN 7981, 4, 2 x 9, 5, (9)

DOOR

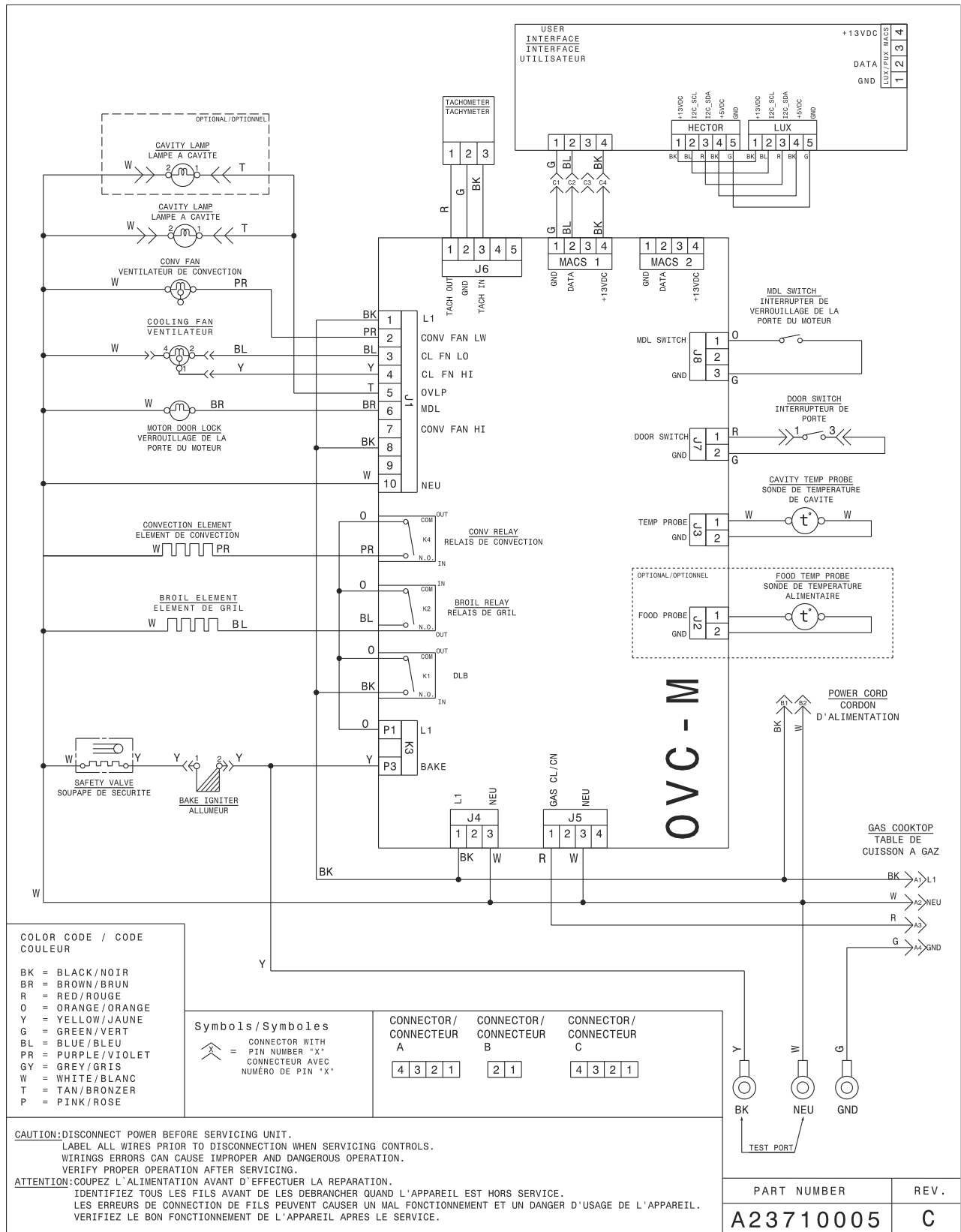


DGCFG3059BFA

DOOR

POS. NO	PART NO.	DESCRIPTION
4	5304538835	Door Assembly, outer, stainless
6	5304526283	Shield, wool
7	5304526657	Insulation, door top
8	5304538352	Glass, door, inner
9	5304533466	Liner, oven door, midnight black
10	316433305	Screw, trus T20, 10-44 x 1.870, black, handle mtg.
39	140172171054	Handle, door, stainless
56	5304526232	Screw, T-20 ST, 8-24 x 3/8
56A	5304526532	Screw, M4.2 x 9.5, black
*	316483102	Label, anti-tip

WIRING SCHEMATIC



WIRING DIAGRAM

