

---

# DISHDRAWER™ DISHWASHER INSTALLATION GUIDE

---

Components required	3
Accessing your product specifications	4
Prior to installation	6
Prepare dishwasher	9
Optional hard wiring	11
Install dishwasher	22
Prepare custom panels	25
Complete dishwasher installation	35
Check panel face alignment	41
Install toe kick	43
Connect services	49
Installer checklist	56

**FISHER & PAYKEL**

US CA

592424D 11.25

**INTEGRATED DISHDRAWER™ DISHWASHER**

---

DD24DTX6HI1, DD24DTX6I1

## COMPONENTS REQUIRED

---

### TOOLS

---

#### Supplied

- 1x Foot adjusting tool

#### Not supplied

- Box cutter
- Cross head screwdriver
- Flat blade screw driver
- Drill
- 1x 13mm Drill bit
- 1x 2.5mm Drill bit
- Level
- Pliers
- Pencil

### PARTS

---

#### Supplied and required

- 4x Side brackets
- 2x Top brackets
- 1x Sealing tape
- 32x 5/8" (16mm) Cross head screws
- 1x Flush pre-finished toe kick panel
- 1x Recessed pre-finished toe kick panel
- 1x Drain hose support
- 1x Drain hose joiner
- 2x Wire clip
- 1x Clamp

#### Supplied

- 4x 0.5mm Shims
- 6x 0.75mm Shims
- 4x Spacer sets



To access installation videos, scan the QR code or go to: <https://www.fisherpaykel.com/nz/dishdrawer-installation-videos>

The videos provide an overview of the DishDrawer™ installation and are not intended to be used as a standalone guide.

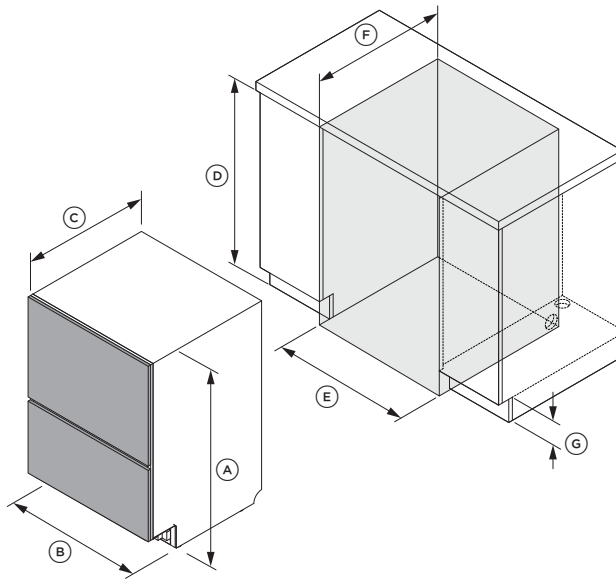
Installation should be undertaken by a Fisher & Paykel trained and supported service technician or qualified person.

## ACCESSING YOUR PRODUCT SPECIFICATIONS



For full product, cabinetry and service specifications, refer to the Planning Guide. To access the Planning Guide, scan the QR code or visit [fisherpaykel.com/specify](https://fisherpaykel.com/specify). Search by appliance type, product name or model code.

For installation support please contact the Fisher & Paykel design support team.[designsupport@fisherpaykel.com](mailto:designsupport@fisherpaykel.com)



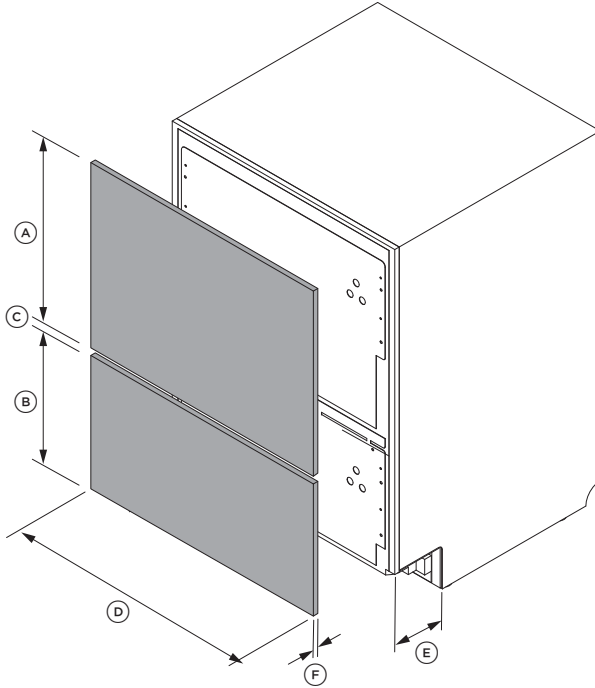
Product and Panel Dimensions	in	mm
Ⓐ Product height	34 - 36 3/8	864 - 925
Ⓑ Product width	23 9/16	599
Ⓒ Product depth*	21 3/4	553
Ⓓ Cavity minimum height	34 - 36 1/2	865 - 927
Ⓔ Cavity minimum width	23 5/8	600
Ⓕ Cavity minimum depth**	22 3/4	578
Ⓖ Toe kick height	1 3/4 - 4 13/16	45 - 123

\*Excludes custom or pre-finished panels. \*\*Assumes 3/4" door panels.

## ACCESSING YOUR PRODUCT SPECIFICATIONS

Ensure there is a small gap between the custom panel and any cabinetry behind it to maintain a proper seal in the dishwasher.

This prevents moisture escape and condensation, which can damage the custom panel.



Custom Panel Dimensions	in	mm
(A) Top panel minimum height	17 3/8	442
(B) Bottom panel minimum height	12 1/4	311
(C) Minimum Gap between drawer panels*	5/16	8
(D) Minimum panel width	23 7/16	596
(E) Custom panel toe kick depth**	1 9/16 - 3 15/16	40 - 100
(F) Panel thickness***	5/8 - 13/16	16-20
Maximum panel downward extension	2	50

\*The minimum gap of 5/16" must be ensured to avoid condensation issues. \*\*Pre-finished toe kick depth is 1 9/16 - 4 3/4"

\*\*\*Guide assumes 3/4" door panels.

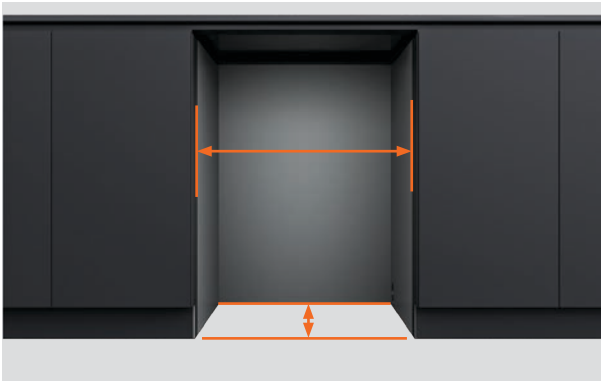
## PRIOR TO INSTALLATION

---



[fisherpaykel.com/specify](https://fisherpaykel.com/specify)

1. Refer to the Planning Guide for cabinetry, cavity, panel and service specifications.



2. Ensure the cabinet meets the minimum cavity specifications required.

Check that the cabinet sides are square.



3. If the cavity is too wide, add material to the sides to allow the dishwasher to be secured.

See the planning guide for details.

## PRIOR TO INSTALLATION

---



4. Check that the cabinet is level.



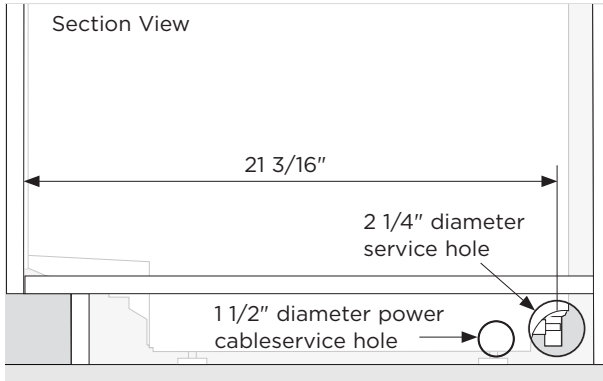
5. The power plug should be accessible after installation for maintenance.



6. Service holes can be routed from the dishwasher cavity, into the toe kick space, then through to the adjacent cavity.

## PRIOR TO INSTALLATION - SERVICES

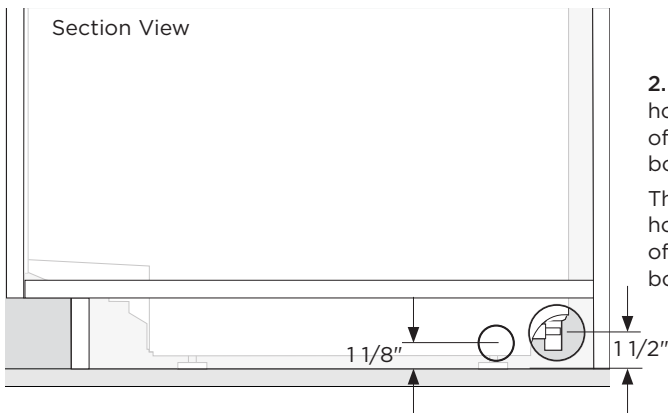
Refer to the Planning Guide at [fisherpaykel.com](http://fisherpaykel.com) for service options.



1. A minimum 2 1/4" diameter service hole is required in the cabinet side.

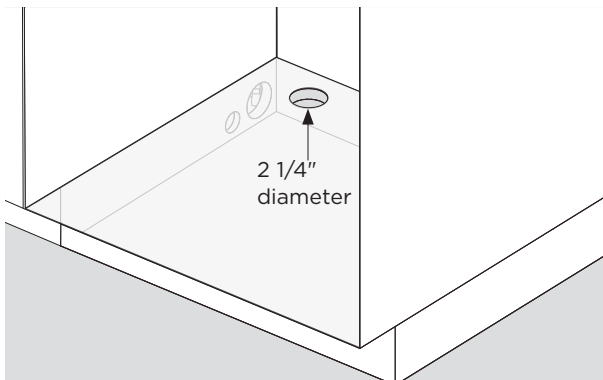
A separate 1 1/2" power cable hole is also required.

The center of the service hole should be a minimum of 21 3/16" from the front of the dishwasher chassis.



2. The center of the service hole should be a maximum of 1 1/2" from the floor or the bottom of dishwasher feet.

The center of the power cable hole should be a maximum of 1 1/8" from the floor or the bottom of dishwasher feet.



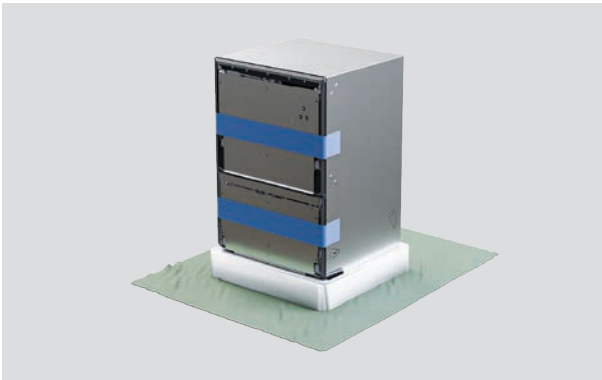
3. A 2 1/4" diameter service hole is required in the adjacent cabinet shelf.

## UNPACK ALL PRODUCTS

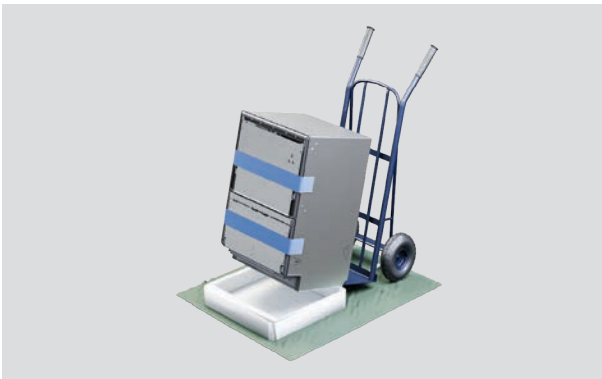
---



1. Remove the plastic wrap.



2. Protect flooring before removing the packing base.



3. To detach the base, use a trolley to lift the dishwasher from the rear, then pull the base off.

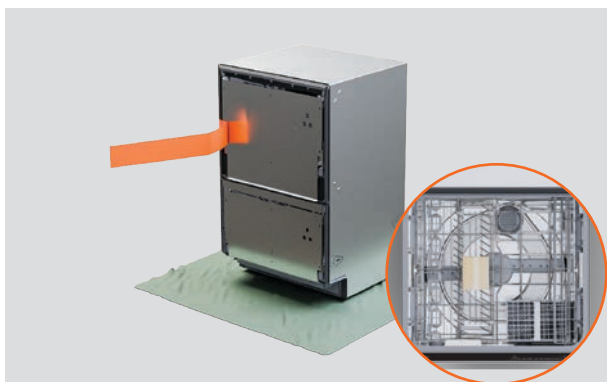
## UNPACK ALL PRODUCTS

---

Open the top drawer carefully to prevent the dishwasher tipping.



**1.** Do not remove the door brackets from the dishwasher front.



**2.** Peel the tape from the top drawer and remove accessories, and installation packages. Close the drawer and re-apply the tape.



**3.** Dispose of packaging responsibly.

## HARD WIRING (OPTIONAL)

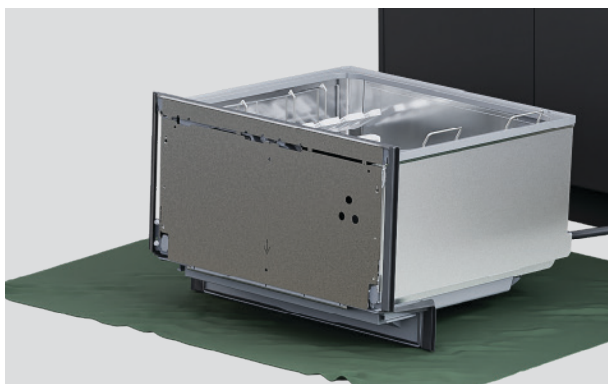
---

A qualified electrician is required to hard wire the dishwasher.

Remove the supplied power cord and complete the hard-wiring close to the cavity.



1. Pull the bottom drawer halfway out to remove the tub. On each side of the lower drawer, push locking tabs back.



2. Place the drawer on a protected surface to the left of the appliance.

**Do not stretch or disconnect the hoses and cords.**

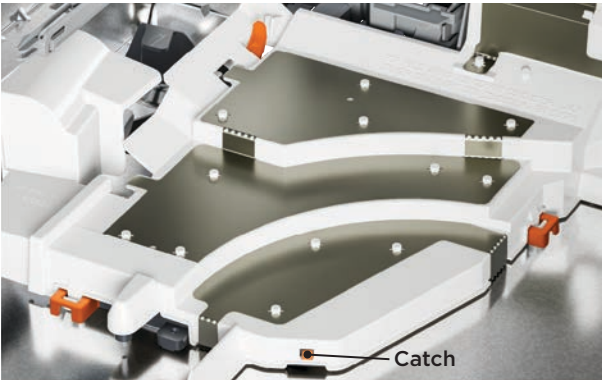


3. Remove the screw securing the cover and set aside.

## HARD WIRING (OPTIONAL)

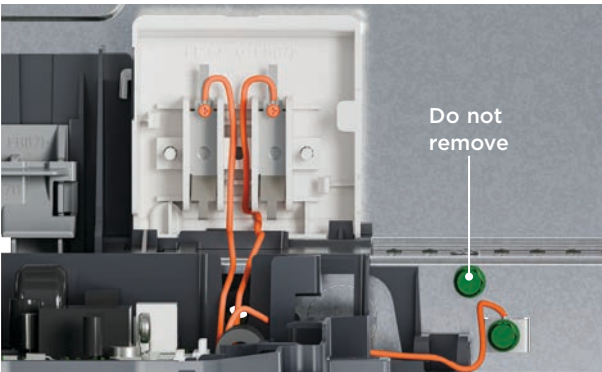


4. Push the upper latch back to unlock.



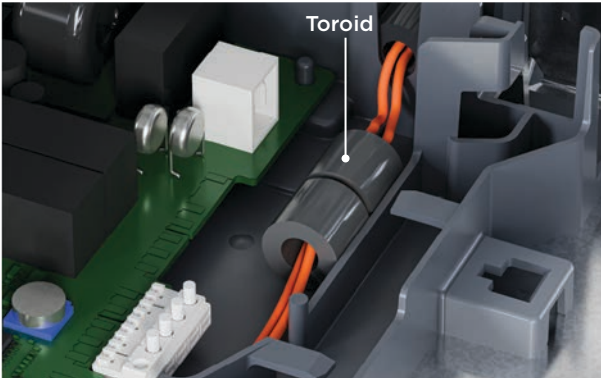
5. Release the remaining locking clips using a flat-bladed screw driver.

Lift the cover up and over the catch.

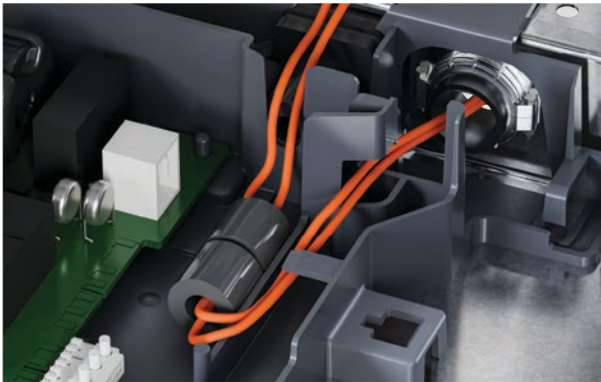


6. Unscrew the Live, Neutral and Earth wires as illustrated. Ensure the upper Earth wire is not removed.

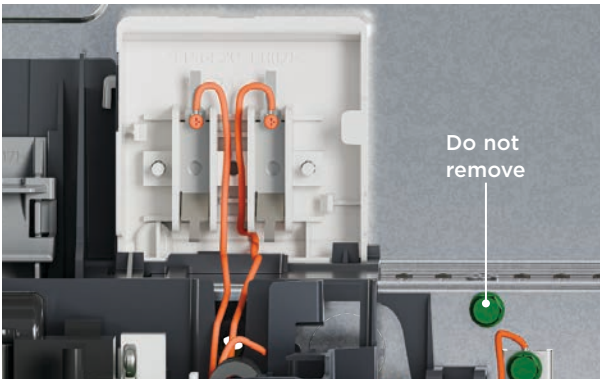
## HARD WIRING (OPTIONAL)



7. Carefully remove the cord from the product.  
Set the toroid aside for later use.

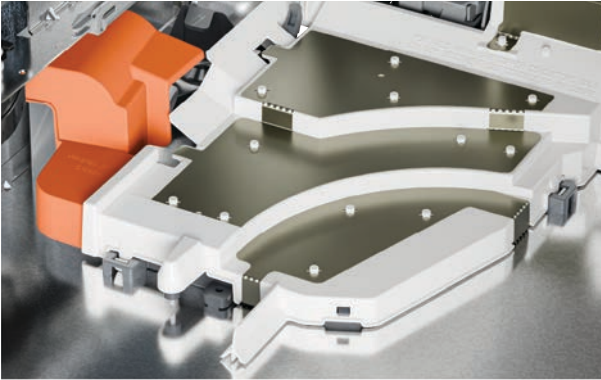


8. Fit a suitable cable clamp for the conduit through the metal knock-out.  
Route wiring under the tab and through the toroid removed earlier.  
**Ensure only copper conductors are used.**

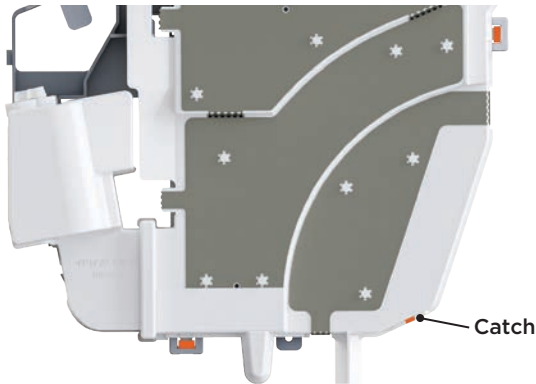


9. Fasten the Live and Neutral wires to the terminal block and the Earth wire to the chassis.

## HARD WIRING (OPTIONAL)

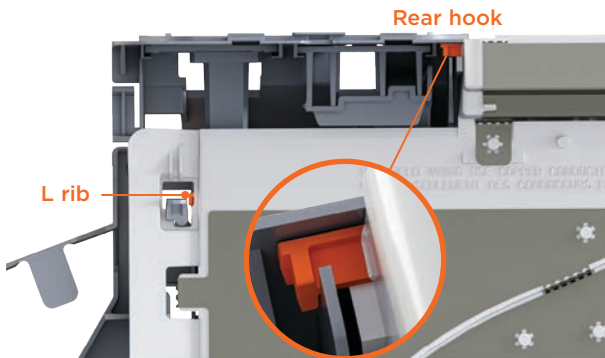


10. Position the cover fill valve into place before lowering the rest of the cover into position.



11. Lower the cover back into place, ensuring it slots over the catch.

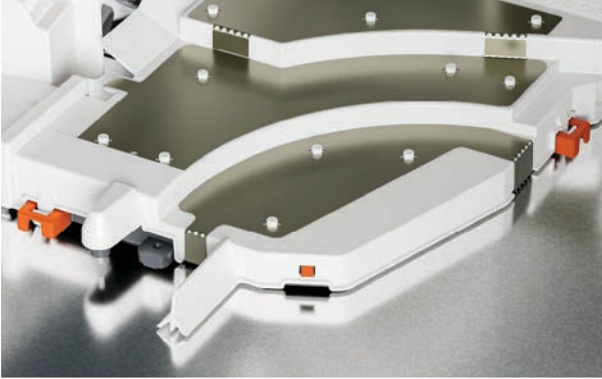
Ensure the locking clips are aligned.



12. Ensure the rear hook is positioned over the slot and the L rib is cleared.

## HARD WIRING (OPTIONAL)

---



**13.** Lock clips back into place by pressing down on the cover firmly.

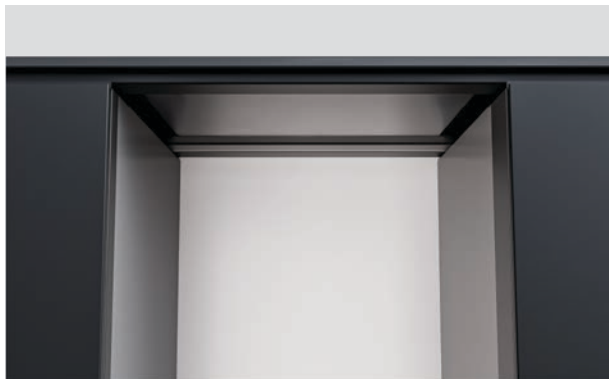
Ensure all clips are engaged.



**14.** Refit screw to secure cover.

## APPLY SEALING TAPE

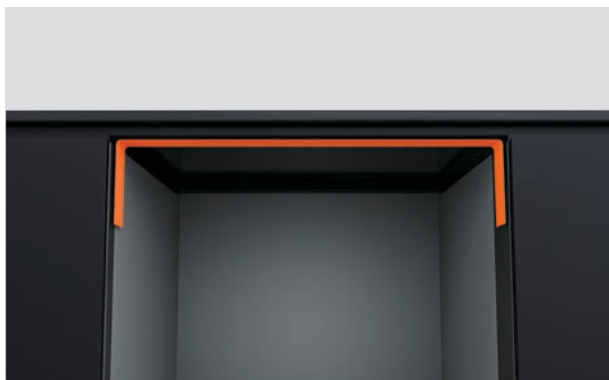
---



1. Ensure underside of countertop is clean and free of dust.



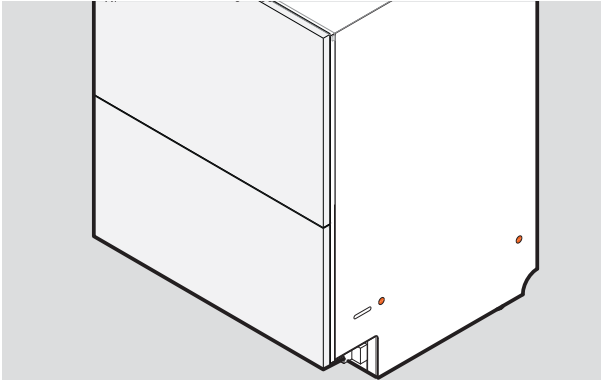
2. Remove backing from tape



3. Apply tape to top edge of cabinet ensuring it is centred and set back  $\frac{3}{8}$ " from the front edge.

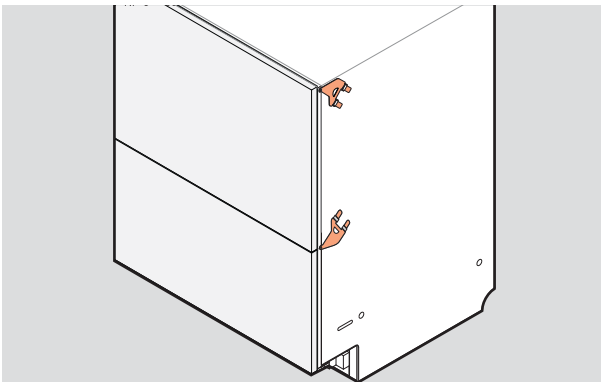
## DISHWASHER SECURING OPTIONS

The dishwasher must be secured to stay in place and prevent vibration. Three fixing points on each side of the chassis is recommended.



### 1. Securing through chassis:

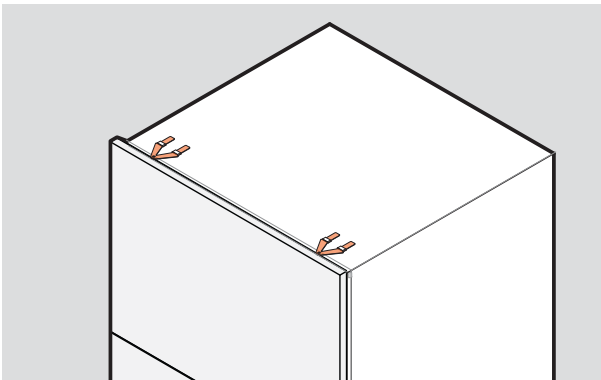
Screws must be fixed through the chassis sides and into the cabinet sides or packers.



### 2. Securing through side brackets:

Middle or upper bracket sets can be inserted into the chassis sides and fixed to the edges of the cabinet.

Both sets can be used if needed.



### 3. Securing through top brackets:

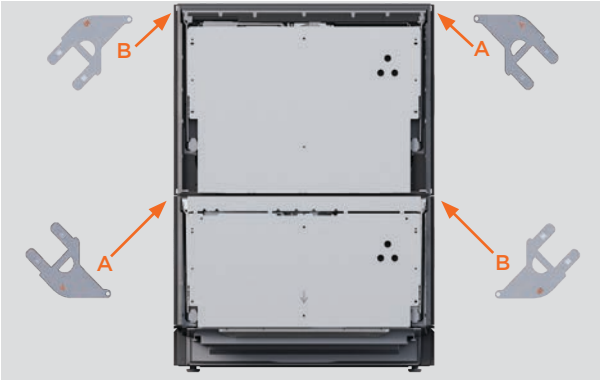
If needed, brackets can be inserted into the chassis top.

These may be used depending on the cabinet or countertop material.

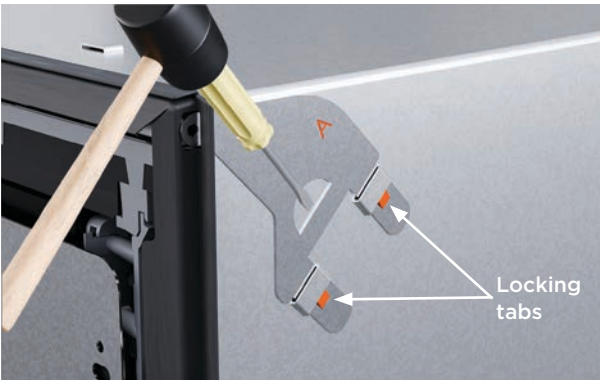
**Ensure the screws are flush with the cabinet surface to avoid damaging the drawer panel.**

## TO ATTACH SIDE BRACKETS

The brackets must lie flat on the chassis with the locking tabs facing out. The locking tabs must be properly inserted through the slots to secure the brackets.



1. Locate the upper and lower side bracket sets.



2. If using the upper bracket set, insert into the slots and tap gently with a soft mallet to secure.

Push the screw tab through the gap in the rubber seal.



3. If using the lower bracket set, insert into lower slots and tap gently with a soft mallet to secure.

Push the screw tab through the gap in the rubber seal.

## TO ATTACH TOP BRACKETS

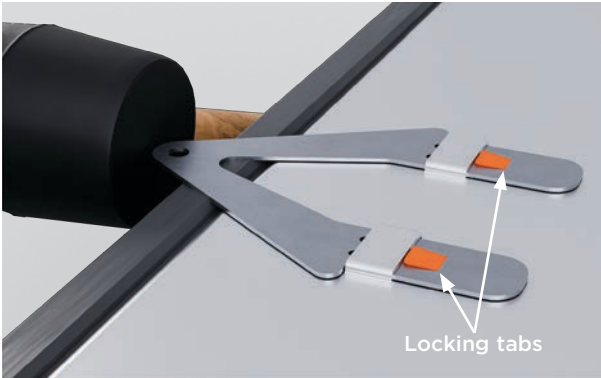
---

Use top brackets if the cabinetry is suitable and the screws heads will be flush to prevent drawer panel damage.

The brackets must lie flat on the chassis with the locking tabs facing out.



1. Place the top brackets into the top tabs.  
Push the screw tab through the gap in the rubber seal.



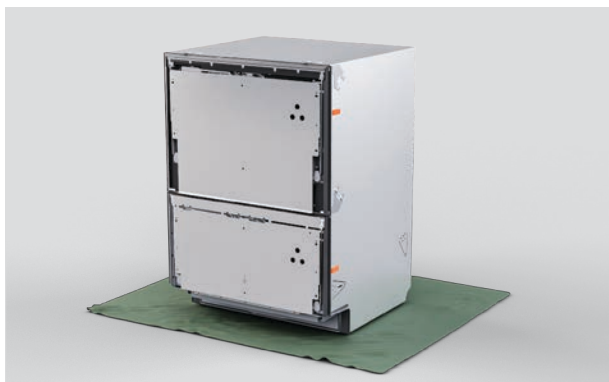
2. If necessary, tap gently with a soft mallet to secure.

## ATTACH SPACERS

---



1. Snap off the four spacers with an adhesive strip.



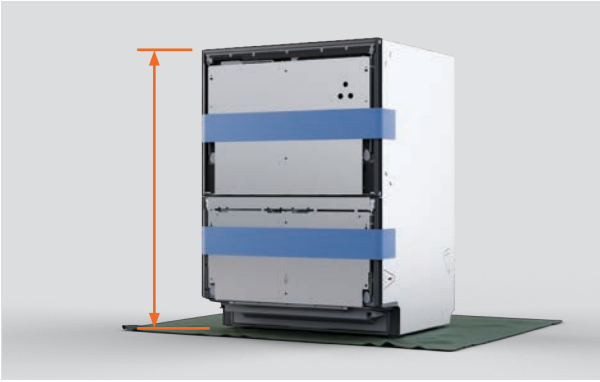
2. Place spacers on each side of the dishwasher between the brackets.



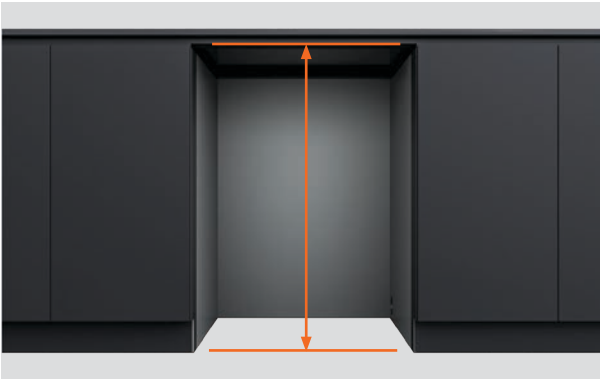
3. If required a larger spacer segment can be snapped on to adjust the thickness.

## ADJUST DISHWASHER HEIGHT

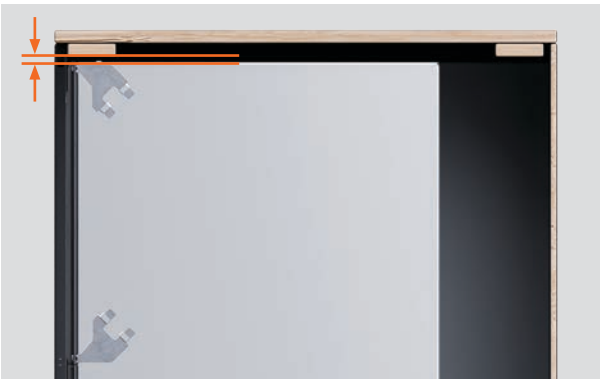
Ensure the drawers are secured with tape. Take care not to bend the feet when tilting the dishwasher. Further adjustments will be made once the dishwasher is inside the cavity.



1. Measure the height of the dishwasher from the feet to the top of the chassis.



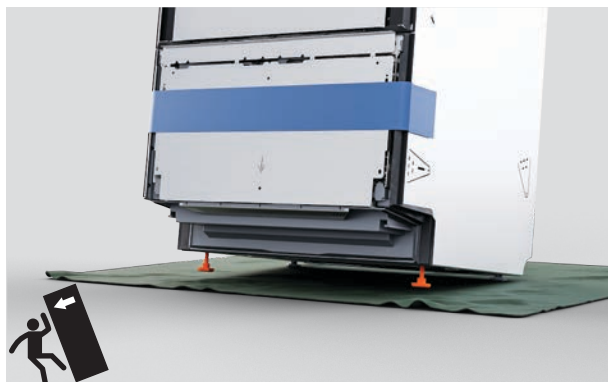
2. Measure the distance from the floor to the underside of the countertop or cavity frame.



3. Adjust the dishwasher height to 1/8 to 3/16" below the cavity height.

## ADJUST DISHWASHER HEIGHT

---



4. Tilt the dishwasher to rest on its back feet and unscrew or tighten the front feet.



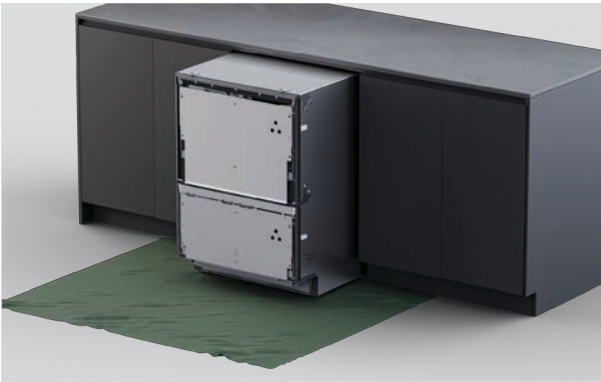
5. Tilt the dishwasher to rest on its front feet and unscrew or tighten the back feet.

## PUSH INSIDE CAVITY

---



1. Place hoses and cords through the service holes and into the adjacent cavity.



2. Carefully push the product into the cavity, feeding the hoses through the service holes as you go.

Avoid crushing or twisting the hoses.

## LEVEL THE DISHWASHER

The minimum gap between the drawer panel and countertop or frame is 1/16".



1. Place the top panel onto the door bracket.

Measure the gap between the top of the drawer panel and the countertop or frame for height adjustment.



2. Remove the panel and pull the drawer halfway out to remove the tub.

On each side of the lower drawer, push locking tabs back.



3. Place the drawer on a protected surface to the left of the appliance.

**Do not stretch or disconnect the hoses and cords.**

## LEVEL THE DISHWASHER

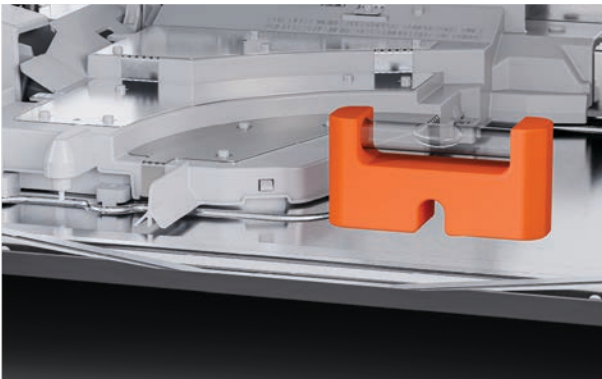
---



4. Use a screw driver and the supplied tool or a wrench to adjust the height of each leg.



5. Place the top panel onto the dishwasher and check that the panel gap is minimum 1/16". Remove the panel and adjust again if necessary.

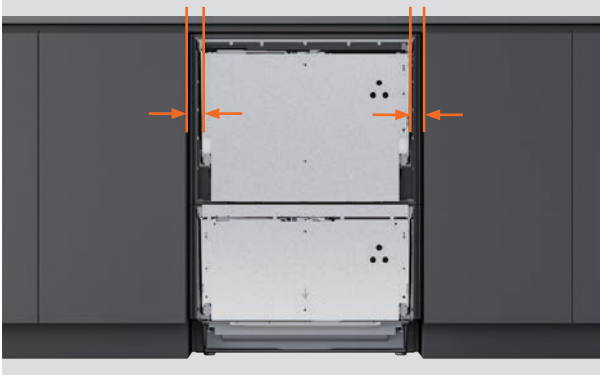


6. Place a level on the flat area of the chassis to check that the dishwasher is level from back to front and left to right.

## CUSTOM TOP PANEL: MEASURE

If panels widths or heights are extended over the minimum dimensions, ensure there is a small gap between the custom panel and any cabinetry behind it.

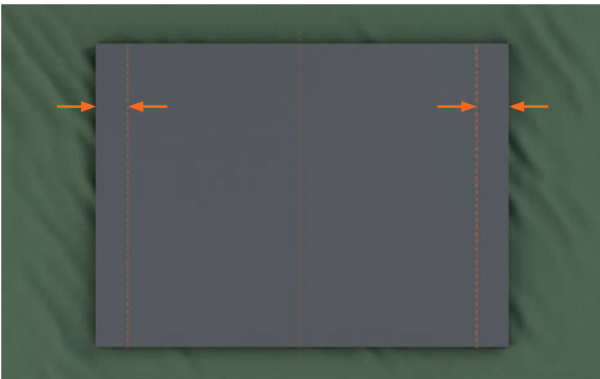
The drawer must seal fully to prevent moisture escape and condensation, which may damage the custom panel.



1. Measure the distance from the adjacent cupboard doors to the edges of the door bracket.



2. Subtract the required gap between the cabinet panels from each measurement. The minimum required gap to adjacent cabinet doors or drawers is **1/16"**.



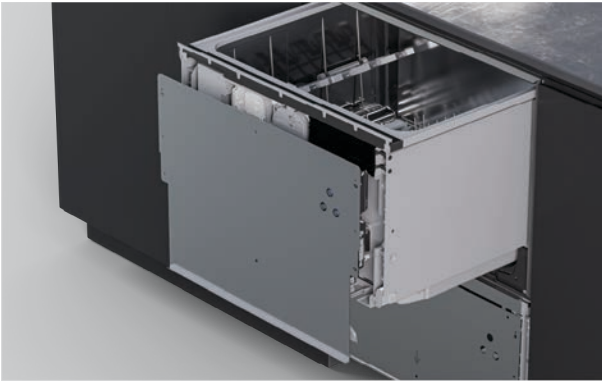
3. Use the final measurements to mark vertical lines on the back of the custom panel.

## CUSTOM TOP PANEL: ATTACH TO DOOR BRACKET

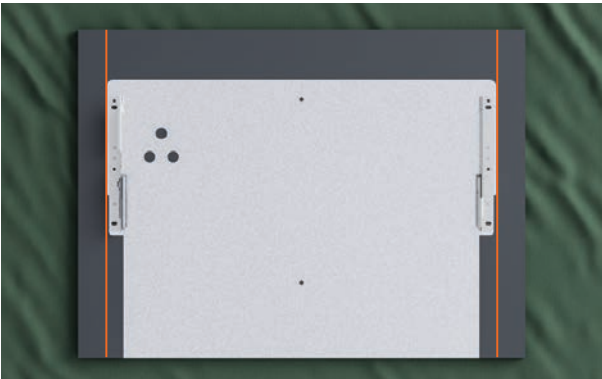
---



1. Rotate the drawer bracket pins by a quarter turn.  
Use pliers to pull the door pin out.



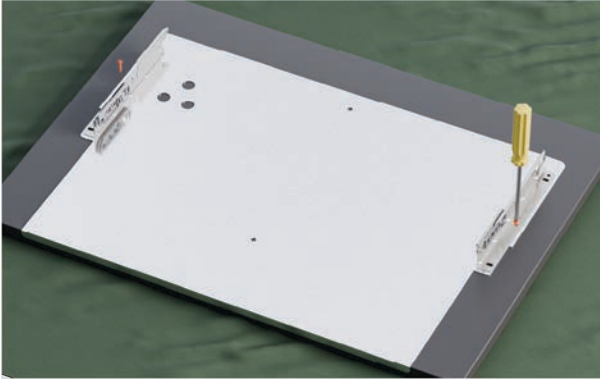
2. Detach the door bracket by pulling down firmly and then angling out.  
Disconnect the earth wire from the bracket before removing.



3. Position the door bracket on the custom panel between the marked lines.  
Ensure that the bottom of the drawer panel rests on the bracket.

## CUSTOM TOP PANEL: ATTACH TO DOOR BRACKET

---



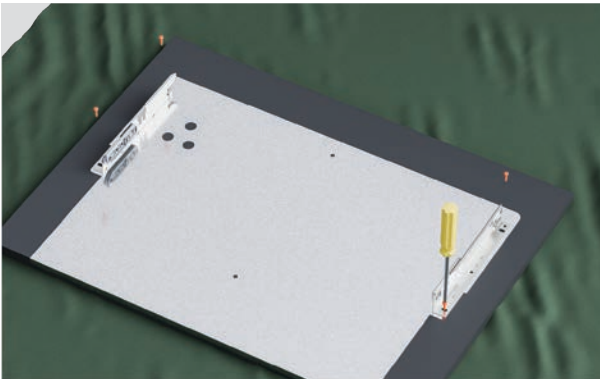
**4.** Fix one screw in each side through the bracket fixing points.

Pilot holes may be required depending on the panel material.



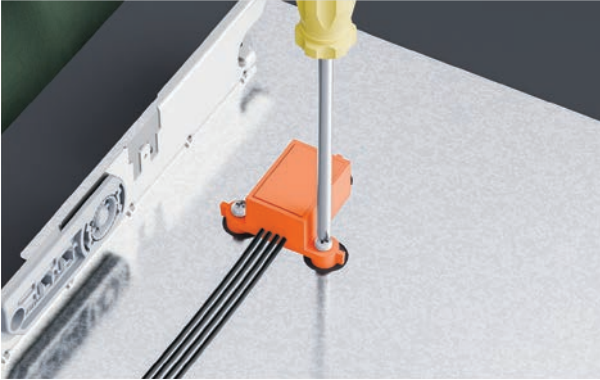
**5.** Slot panel onto dishwasher.

Check gaps between the panel and adjacent cabinet doors are a minimum of  $1/16''$ .

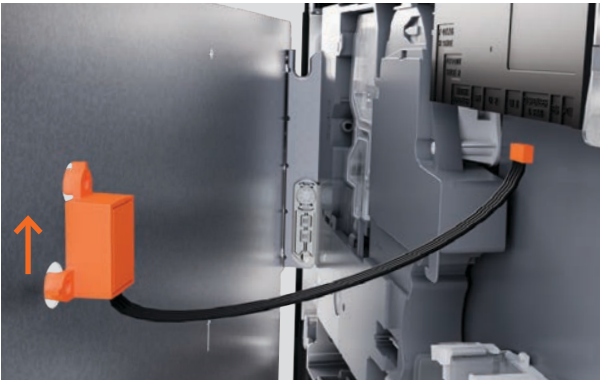


**6.** Remove the door panel and fix the remaining four screws.

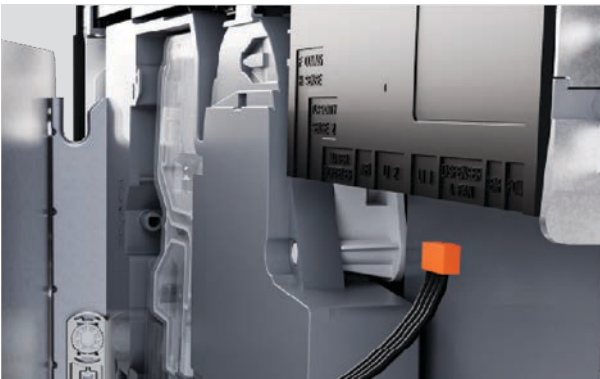
## CUSTOM TOP PANEL: INSTALL KNOCK-TO-PAUSE MODULE



1. Secure knock-to-pause module to the panel using the supplied screws.



2. Check that the module is oriented correctly and fixed securely to ensure proper function.



3. Move the panel to the dishwasher.  
Plug the knock-to-pause module into the controller.

## SECURE TOP PANEL

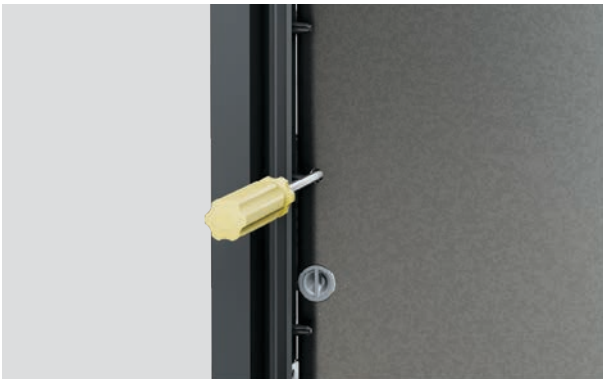
---



1. ⚠ Attach the earth wire to the door bracket to ensure safe use.



2. Place the panel back onto the dishwasher. Insert the side pins.  
Quarter turn the pins to secure.



3. **For fine vertical adjustments:**  
Insert a crosshead screwdriver into the hole above side pins and turn.  
The adjustment range is  $\pm 1/16''$ .

## CUSTOM BOTTOM PANEL: MEASURE PANEL

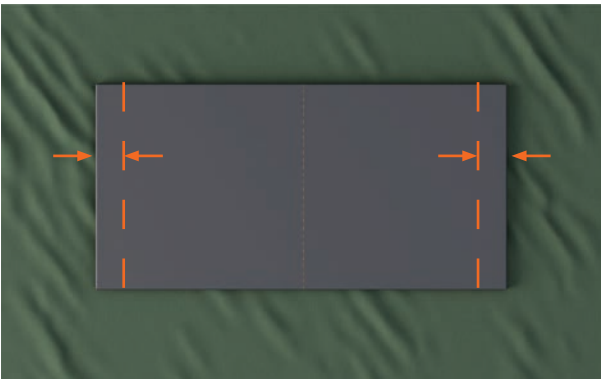
The minimum gap to adjacent cabinet doors or drawers is  $1/16''$ . The minimum gap between the dishwasher top and bottom drawers is  $5/16''$  for ventilation.



1. Measure the distance from the adjacent cupboard doors to the edges of the door bracket.



2. Subtract the required gap between the cabinet panels from each measurement.



3. Use the final measurements to mark vertical lines on the back of the custom panel.

## CUSTOM BOTTOM PANEL: ATTACH TO DOOR BRACKET

---



1. Rotate the drawer bracket pins by a quarter turn.  
Use pliers to pull the door pin out.

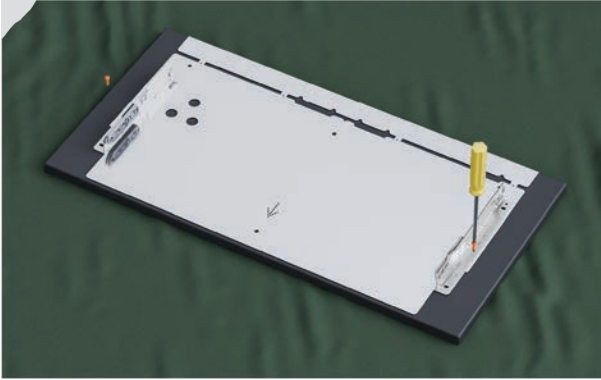


2. Detach the door bracket by pulling down firmly and then angling out.  
Disconnect the earth wire from the bracket before removing.



3. Position the door bracket onto the custom panel between the marked lines.  
Ensure that the top of the drawer bracket rests on the panel.

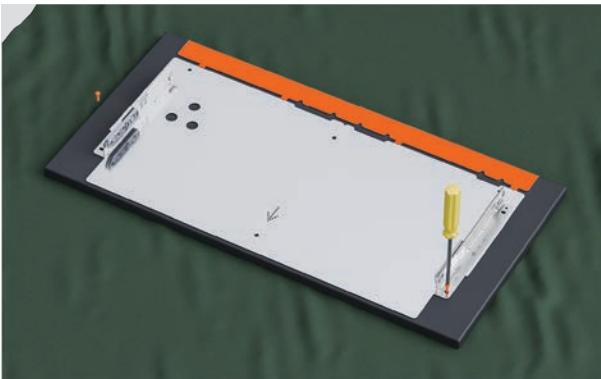
## BOTTOM PANEL: ATTACH TO DOOR BRACKET



4. Fix one screw in each side through the bracket fixing points.

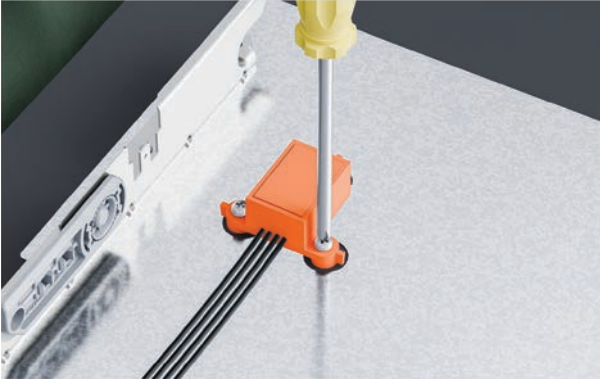


5. Slot panel onto dishwasher. Check that the gaps between the panel and adjacent cabinet doors are a minimum of  $1/16$ ". Check that the gap between the top and bottom drawer panels is a minimum of  $5/16$ " for ventilation.

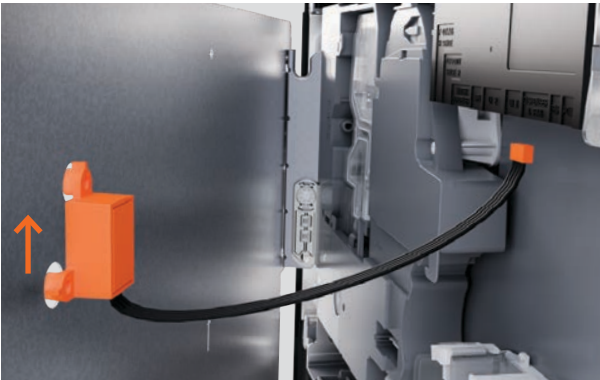


6. Remove the door panel and fix the remaining four screws. Bend the top of the bracket back and forth until it snaps off.

## CUSTOM BOTTOM PANEL: INSTALL KNOCK-TO-PAUSE MODULE



1. Secure knock-to-pause module to the panel using the supplied screws.



2. Check that the module is oriented correctly to ensure proper function.



3. Move the panel to the dishwasher.  
Plug the knock-to-pause module into the controller.

## SECURE BOTTOM PANEL

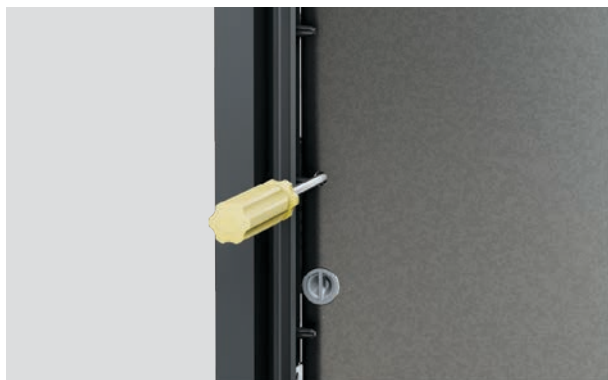
---



1. ⚠ Attach the earth wire to the door bracket to ensure safe use.



2. Place the panel back onto the dishwasher. Insert the side pins. Quarter turn the pins to secure.



3. **For fine vertical adjustments:** Insert a crosshead screwdriver into the hole above side pins and turn. The adjustment range is  $\pm 1/16''$ .

## SECURE THROUGH CHASSIS SLOT

Slots in the chassis sides allow screws to be temporarily fixed and the dishwasher to be adjusted within the cavity. Panel alignment can then be checked before final fixing.

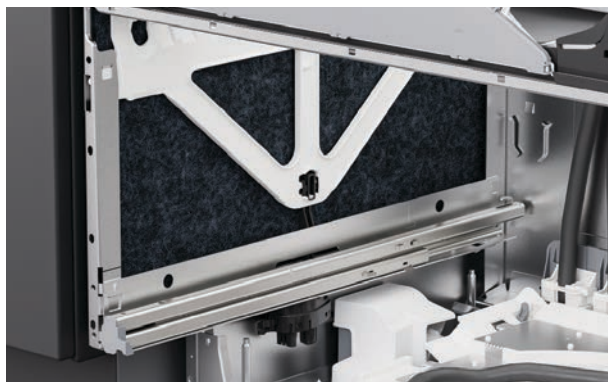


1. Pull the drawer halfway out to remove the tub.

On each side of the tub, push locking tabs back.



2. Place the drawer on a protected surface to the left of the appliance.

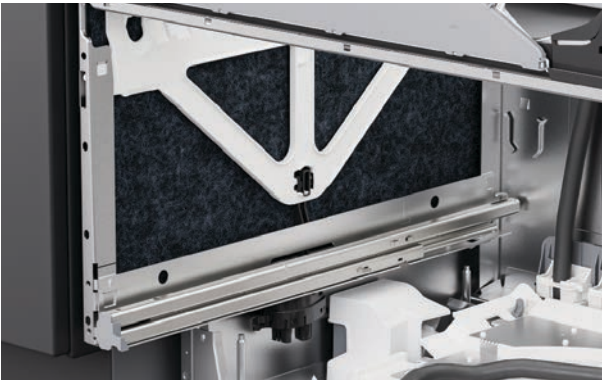


3. On the chassis sides, lift the insulation.

## SECURE THROUGH CHASSIS SLOT



**4.** Fit a screw in each chassis slot to secure to the cabinet. Partially tighten screws ensuring adjustments can be made.



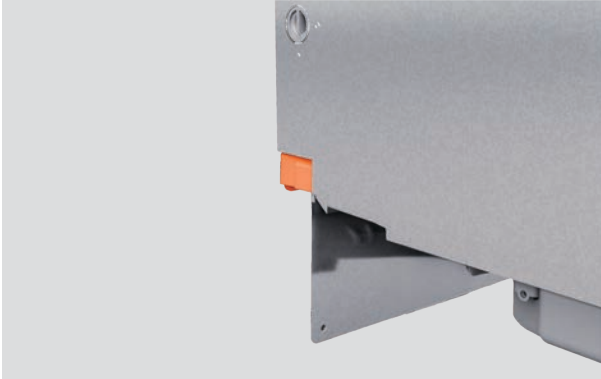
**6.** Refit insulation ensuring it is positioned correctly and will not obstruct the drawer runners.



**5.** To replace the bottom tub, pull the drawer runners halfway out. Place the tub onto the runners.

## SECURE THROUGH CHASSIS SLOT

---



7. Pull locking tabs forward and click the drawer into place.

**Ensure hoses are not crushed or twisted when closing the drawer.**



8. Check that the panel is aligned with the surrounding cabinetry.

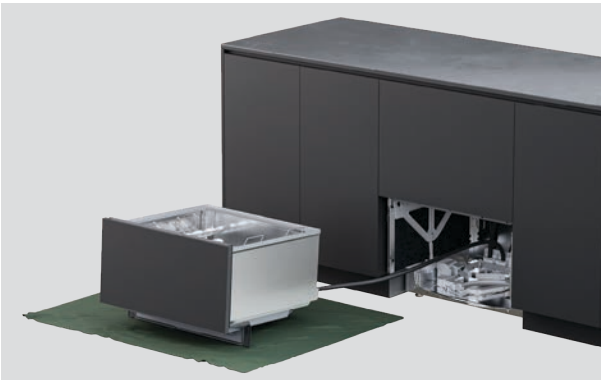
Adjust the dishwasher in the cavity if required.

## SECURE THROUGH CHASSIS

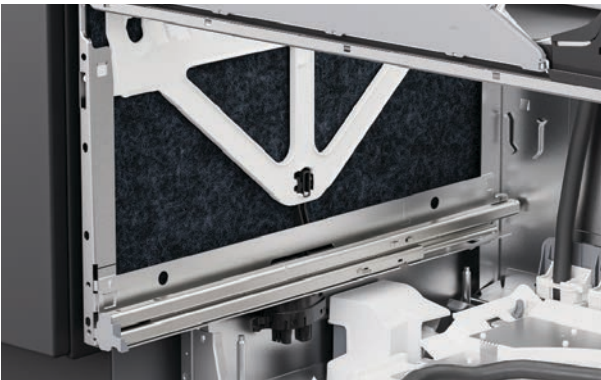
---



**1.** Pull the drawer halfway out to remove the tub.  
On each side of the tub, push locking tabs back.



**2.** Place the drawer on a protected surface to the left of the appliance.

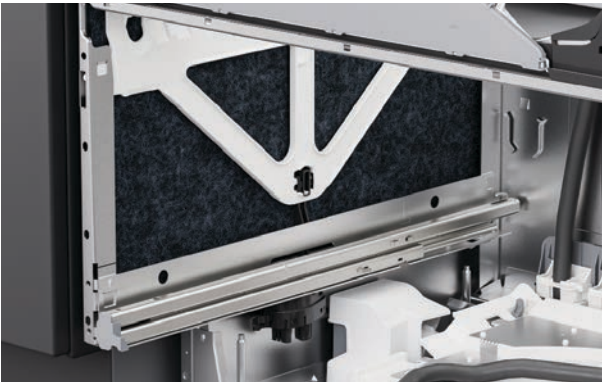


**3.** On the chassis sides, lift the insulation.

## SECURE THROUGH CHASSIS



4. Insert screws through the two holes on each side of the chassis.



5. Ensure insulation is repositioned correctly and will not obstruct the drawer runners.



6. Place the tub back onto the runners, pull locking tabs forward and click drawer into place.

## SECURE USING BRACKETS

---



1. If using brackets, partially open the top drawer. Lift the rubber seal and remove the left and right screw covers from the trim.



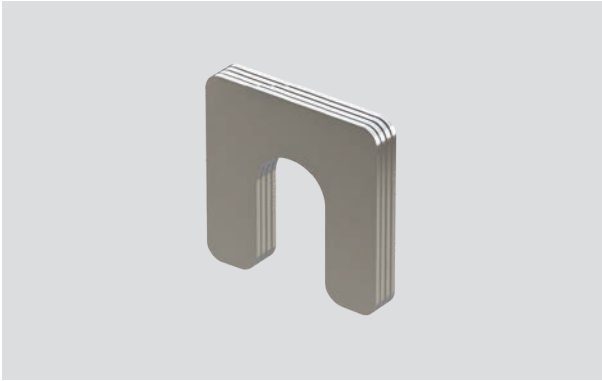
2. Fix side brackets using the supplied screws and replace the screw covers.



3. If top brackets are inserted, fix using the supplied screws. **Ensure the screw head is flush and clear of the top of the drawer panel when closed to avoid damage.**

## CHECK PANEL TILT

If the custom panel is slightly angled out compared to the adjacent cabinetry, supplied shims can be used to make minor adjustments.



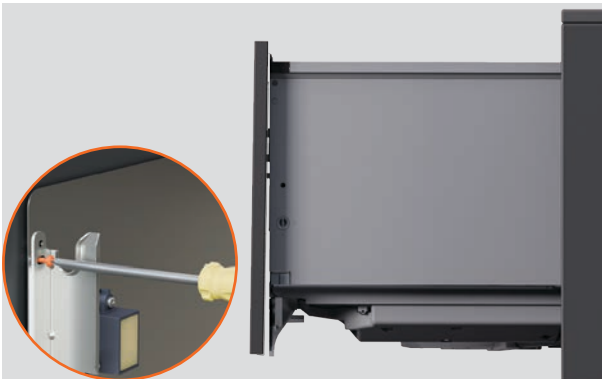
### Shim options:

4 x 0.5mm, 6 x 0.75mm.

Do not use shims for any adjustments over 1.75mm total thickness.



1. Remove the panel and door bracket if adjustment is needed.



2. For panels tilted outward at the bottom of the dishwasher:

Loosen the screws at the top of the bracket on each side.

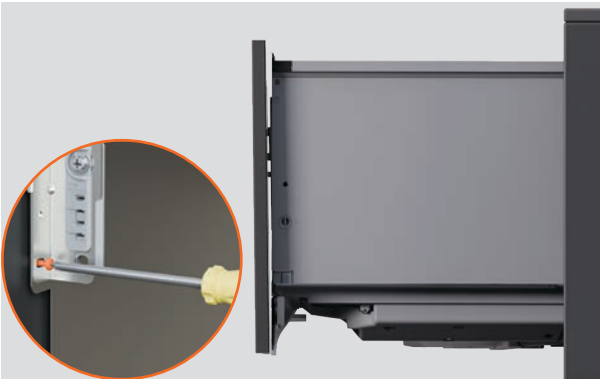
## CHECK PANEL TILT

---



**3.** Insert the shim between the panel and the door bracket and tighten the screw.

Slot the panel onto the dishwasher and check.



**4. For panels tilted outward at the top of the dishwasher:**

Loosen the screws at the bottom of the bracket on each side.



**5.** Insert the shim between the panel and the door bracket and tighten the screw.

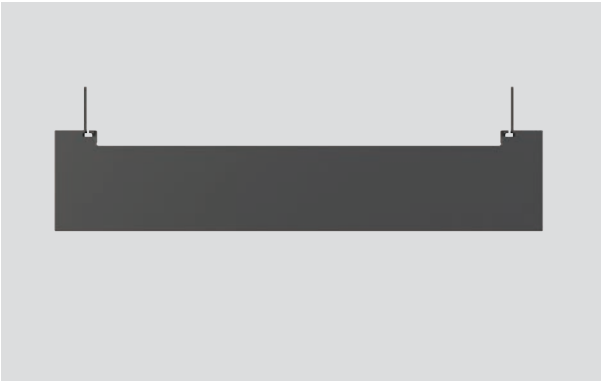
Slot the panel onto the dishwasher and check the drawer panel alignment.

## INSTALL PRE-FINISHED TOE KICK

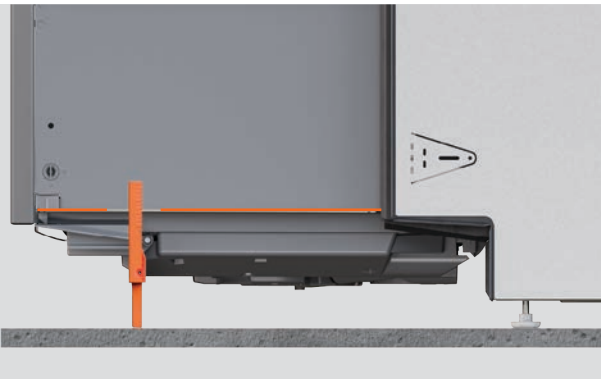
---



For a toe kick depth of  $1 \frac{9}{16}$  -  $2 \frac{3}{16}$ " , select the **Flush Pre-Finished** toe kick.

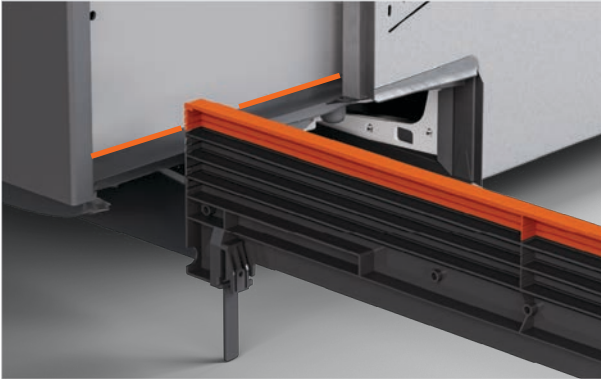


For a toe kick depth of  $2 \frac{3}{16}$  -  $4 \frac{3}{4}$ " , select the **Recessed Pre-Finished** toe kick.



1. Open the bottom drawer.  
Rotate the toe kick so the tabs are resting on the floor.

## INSTALL PRE-FINISHED TOE KICK

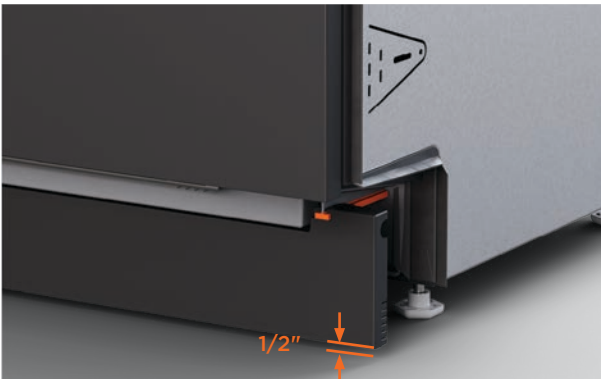


2. Mark the point where the toe kick meets the edge of the tub.



3. Score the toe kick on both sides with a box cutter on a protective surface.

Snap or cut off excess and smooth the edge with a file.



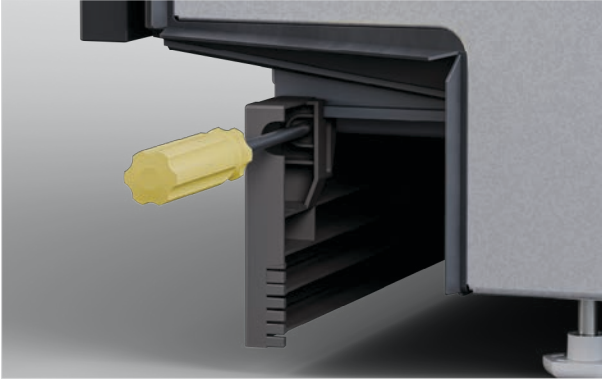
4. Snap off the top tabs.

Slide the jig and toe kick along the T rails into position.

Ensure there is a 1/2" gap between the toe kick and the floor.

## INSTALL PRE-FINISHED TOE KICK

---



5. Tighten the side screws firmly but do not over tighten.

## INSTALL CUSTOM TOE KICK

---

Ensure all panel edges are sealed to withstand moisture. A 1/2" clearance gap is required between the bottom of the toe kick and the floor.



1. Locate the recessed pre-finished toe kick.



2. Mark a section of the toe kick mount for removal, making sure it is shorter than the custom panel.

Snap or cut off excess and smooth the edge with a file.



3. Place the custom panel onto the pre-finished toe kick.

## INSTALL CUSTOM TOE KICK

---



4. For a toe kick depth up to  $1 \frac{9}{16}$ ", align the top of the custom panel to the top edge of the toe kick mount.



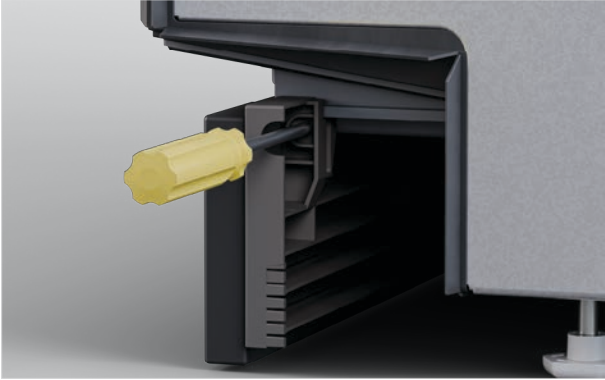
5. For a toe kick depth of  $1 \frac{9}{16}$  -  $3 \frac{15}{16}$ ", align the custom panel along the lower edge of the toe kick mount.



6. Drill pilot holes through fixing points in the toe kick mount.  
Screw the mounting bracket to toe kick using a screw driver.

## INSTALL CUSTOM TOE KICK

---



7. Slide mounting bracket and toe kick along the tub rails. Secure the mounting bracket to the rails but do not over tighten.

## DRAIN CONNECTION OPTIONS

DD24STX6H11 Water pressure: maximum 1 MPa (145 psi), min. 0.1 MPa (14.5 psi).

DD24STX6I1 Water pressure: maximum 1 MPa (145 psi), min. 0.03 MPa (4.3 psi).

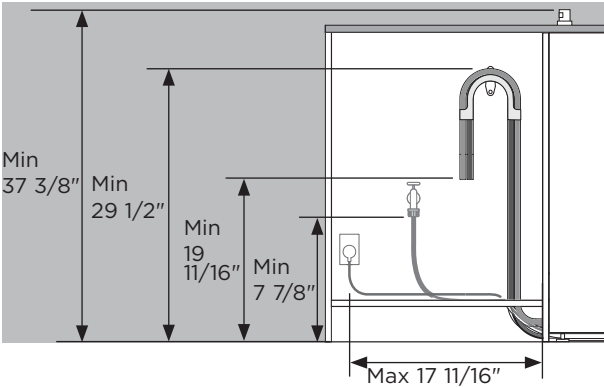
Water connection: 3/8" (9 mm) male compression fitting to suit flat washer

Recommended temperature: hot (maximum 140F)

### Kosher requirements

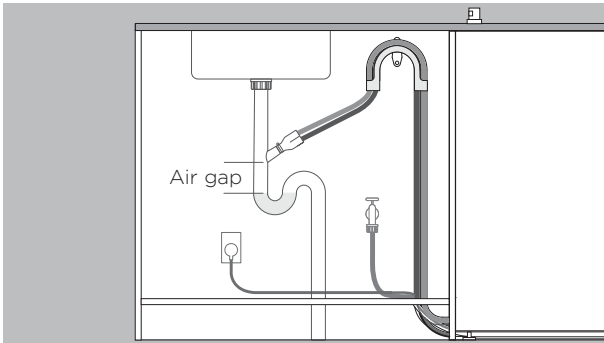
Drains will need to be separated to satisfy kosher requirements.

We recommend confirming the acceptability with your local rabbi in respect to kosher installations.



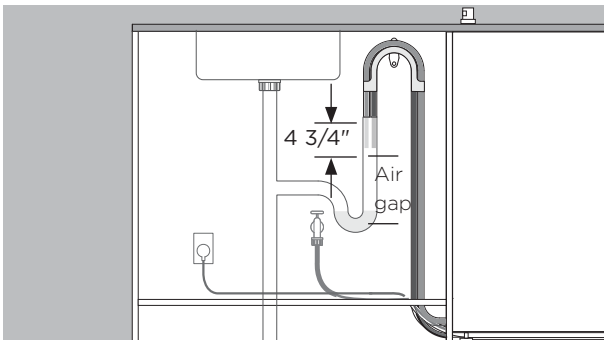
Distances are the same for all installs.

- Floor to air gap - min 37 3/8".
- Floor to support top - min 29 1/2".
- Floor to drain hose end - min 19 11/16".
- Floor to water inlet - min 7 7/8".
- Cabinet side to centre of electrical outlet - 17 11/16".



### Drainage routed to spigot

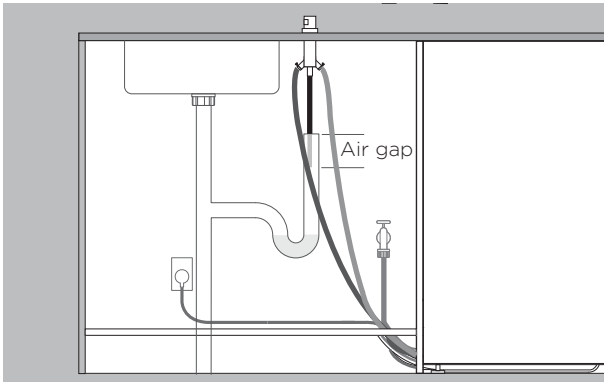
- Spigot must be higher than standing water with an air gap between to avoid drainage issues.
- Remove excess drain hose to prevent hose drooping below the spigot height.



### Drainage routed to standpipe

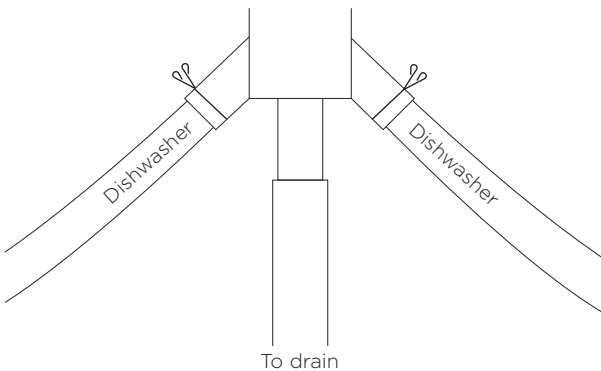
- Drain hose must be higher than standing water with an air gap between to avoid drainage issues.
- Remove excess drain hose.
- Hoses must not extend into standpipe more than 4 3/4".

## DRAIN CONNECTION OPTIONS - DUAL AIR GAP



The Dual Air Gap installation method is recommended.

1. Install the Dual Air Gap Kit into the benchtop.

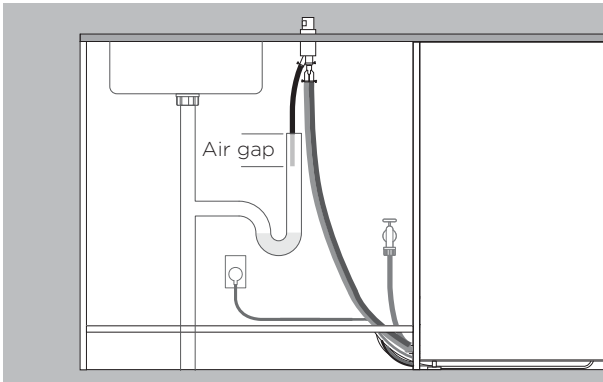


2. Thread wire clips on to the hoses before fitting both hoses to the Dual Air Gap Kit.

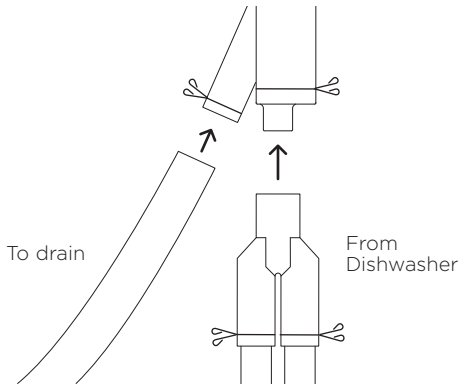
Secure using the wire clips.

Ensure hoses are routed straight to the kit, removing excess drain hose if necessary.

## DRAIN CONNECTION OPTIONS - SINGLE AIR GAP



1. Install the Single Air Gap Kit into the benchtop.



2. Thread wire clips on to the hoses before fitting both hoses to the supplied hose joiner. Secure using the wire clips. Ensure hoses are routed straight to the joiner, removing excess drain hose if necessary.

## INSTALL DRAIN

Ensure the drain hose support is properly installed and the hose is correctly threaded through to prevent damage and drainage issues.

The dishwasher must not be drained into standing water.

If the drain hoses supplied are not long enough to reach your services, an 11ft, 9 3/4" drain hose extension kit is available at [fisherpaykel.com](http://fisherpaykel.com)



**1. Install the drain hose support** as close to the countertop as possible, with a minimum distance of 29 1/2" from the floor

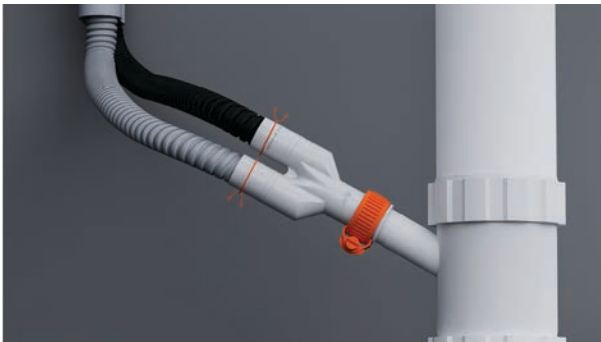
Thread the hoses through the support.



**2. For connection to waste tee:**

To avoid shavings entering the plumbing system, remove the waste tee before drilling.

Unplug or drill out the waste tee minimum 1/2" in diameter before securing joiner.



**3. Thread wire clips** on to the hoses.

Fit the hoses to the supplied hose joiner and secure using the wire clips provided.

Ensure hose is routed straight to the joiner to avoid kinks that can restrict drainage.

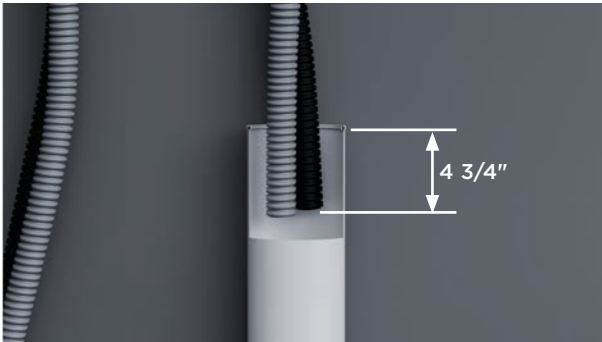
## INSTALL DRAIN

---



### 4. For connection to standpipe:

Pull both drain hoses through the support guide and rest in standpipe.



5. Ensure the hoses do not extend more than  $4 \frac{3}{4}$ " into the standpipe to prevent wastewater siphoning back into the tub.

Hoses can be trimmed if necessary.

## CONNECT WATER INLET

---

Do not turn water supply on before power has been connected. The dishwasher must be powered on for flood protection to be enabled.

Isolation taps are required to allow the water supply to be shut off.



1. Check that the supplied rubber washer is inserted into the coupling.



2. Connect the inlet hose to the tap.

Ensure the inlet hose is not kinked and the tap is not pulled or under pressure.

Do not shorten the inlet hose.



3. Hand-tighten into place. Using a spanner or pliers, turn a further 180° to secure. Avoid over-tightening.

## CONNECT POWER

---

Electrical requirements: 120V, 60Hz, minimum 8.7A

The power plug should be accessible after installation for maintenance.



1. Connect power.



2. Check the water connections.

Turn on the water supply and check for leaks.

The dishwasher must be powered on for flood protection to be enabled.

If power is to be disconnected, ensure water supply is turned off.

## INSTALLER CHECKLIST

---

### Installation

- If power is disconnected, ensure water supply is turned off to prevent flooding.
- Check all parts are installed correctly and are secure.
- Ensure all clearance gaps have been maintained.
- Ensure dishwasher is secure and drawer opens and closes freely with no resistance.
- Ensure panel is fitted correctly to the dishwasher
- Ensure any packaging or tape securing the racks and spray arm is removed.
- Check the spray arm is in place, mounted correctly and rotate freely.
- Ensure knock-to-pause module is fitted securely and operating correctly.

### Plumbing

- Ensure any knock-outs or plugs in drain connection have been drilled out and drain connection has been made.
- The drain hose joiner must not support the weight of excess hose material. Keep drain hose as fully extended as possible to prevent sagging. Any excess length of drain hose should be kept on the dishwasher side of the high loop.
- Ensure inlet hose has supplied rubber washer fitted, and that it's tightened.
- If connecting the drain hose to the sink trap, ensure the high loop is a minimum 150mm higher than the drain hose joiner.
- Water softener models: adjust the water softener setting from the default setting to suit the water hardness of the area. Refer to your user guide.
- Ensure water supply is turned off until power is connected and turned on. The Dishwasher must be powered on for the flood protection feature to be enabled.

### Electrical

- Ensure all electrical tests have been conducted in accordance with local regulations.

### Test operation

- Turn on the power and water supplies, then open the drawer. You should hear a beep and see a program indicator light up on the control panel.
- Add three cups of water into the drawer.
- Navigate to RINSE and start the program.
- Check the knock-to-pause function
- Repeat for the other drawer.
- After the Rinse cycle has finished, ensure the dishwasher has run and drained correctly.
- Check the water supply has been shut off correctly.
- Check drainage connections for leaks.
- If site is left without power after installation is complete, ensure water supply is turned off to prevent flooding.**

# INSTALLER CHECKLIST

---

Complete and keep for safe reference:

Model \_\_\_\_\_

Serial no. \_\_\_\_\_

Purchase date \_\_\_\_\_

Purchaser \_\_\_\_\_

Dealer address \_\_\_\_\_

Installer's name \_\_\_\_\_

Installer's signature \_\_\_\_\_

Installation company \_\_\_\_\_

Installation date \_\_\_\_\_

---

**FISHERPAYKEL.COM**

© Fisher & Paykel Appliances 2025. All rights reserved.

The models shown in this guide may not be available in all markets  
and are subject to change at any time.

The product specifications in this guide apply to the specific products and  
models described at the date of issue. Under our policy of continuous product  
improvement, these specifications may change at any time.

For current details about model and specification availability in your country,  
please go to our website or contact your local Fisher & Paykel dealer.

**592424D 11.25**