

INSTALLATION MANUAL MANUEL D'INSTALLATION MANUAL DE INSTALACIÓN

DISHWASHER Installation Manual.....	1 - 9
LAVE-VAISSELLE Manuel d'installation.....	10 - 18
LAVAPLATOS Manual de instalación.....	19 - 27

MODEL * MODÈLE * MODELO

DDW18D1EW
DDW18D1EB
DDW18D1ESS

Danby Products Limited, Guelph, Ontario, Canada N1H 6Z9

Danby Products Inc. Findlay, Ohio, U.S.A. 45840

www.danby.com



Printed in Turkey | Imprimé en Turquie | Impreso en Turquía



Important Safety Information

READ AND FOLLOW ALL SAFETY INSTRUCTIONS

In addition to these instructions, the dishwasher shall be installed:

- In accordance with all local codes or, in absence of local codes,
- In the United States, with the National Electric Code,
- In Canada, with the Canadian Electric Code C22.1 - latest edition, Provincial and Municipal codes and/or local codes.

Read these installation instructions completely before installing and follow them carefully. Save these installation instructions and pass them on to any future user.

When installing the dishwasher, follow basic precautions, including the following:

- The dishwasher could only be converted from cord connected to permanently connected by an authorized service representative. If needed contact your dealer to schedule an authorized service agent for conversion with an appropriate conversion kit.
- Installation and repair should be performed by a qualified installer. Work by unqualified persons could be dangerous and may void the warranty.
- The dishwasher should be installed by an insured licensed plumber, contractor or trained installer. Installation performed by persons other than this could result in improper installation and property damage.
- Do not operate the appliance if damaged, malfunctioning, partially disassembled or if it has missing or broken parts.
- Also follow the safety instructions in the user manual.
- To reduce the risk of electric shock, fire or injury to persons, the installer must ensure that the dishwasher is completely enclosed at the time of installation.
- Only connect the dishwasher to the power supply when all installation and plumbing work is complete.
- If the dishwasher is installed in a location that experiences freezing temperatures such as a vacation home or cabin, you must drain all water from the dishwashers interior. Water system ruptures that occur as a result of freezing are not covered by the warranty.

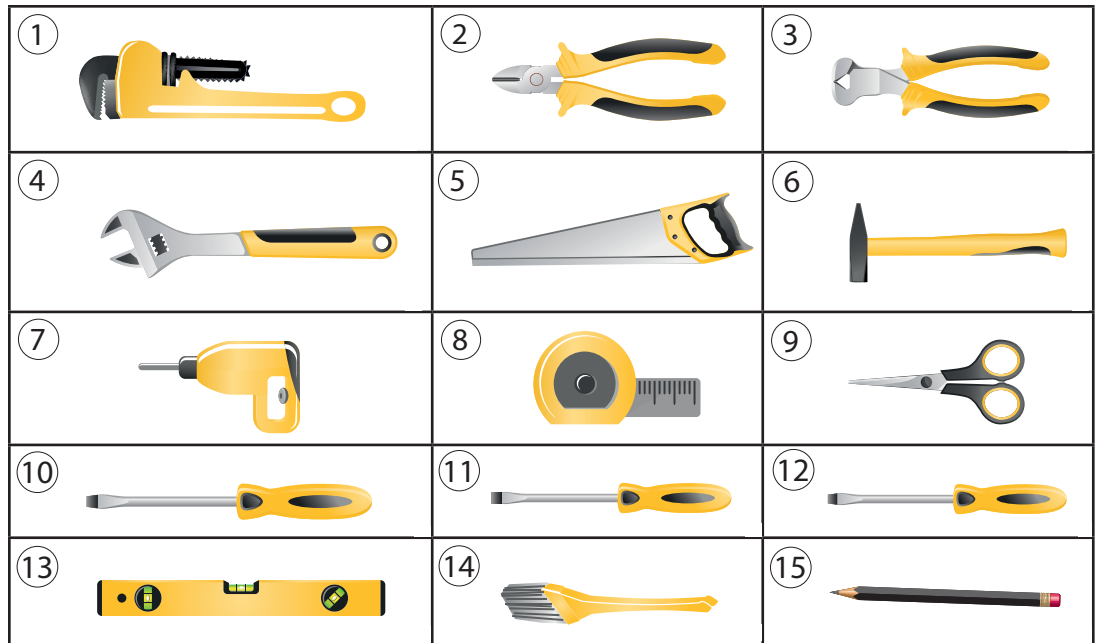
- The dishwasher must be secured to adjacent cabinetry using the brackets provided. Failure to do so may cause damage to property or bodily injury.
- Connect to a properly rated, protected and sized power supply circuit to avoid electrical overload. The dishwasher is designed for an electrical supply of 120V, 60Hz, AC, connected to a dishwasher-dedicated, properly grounded electrical circuit with a fuse or breakers rated for 15 amperes. Electric supply conductors shall be a minimum of #14 AWG copper wire rated at 75°C (167°F) or higher. These requirements must be met to prevent injury and damage. Consult a qualified electrician if in doubt.
- This dishwasher includes a heating element. Do not touch the heating element during or immediately after use.
- Do not use any extension cord or portable outlet device to connect the dishwasher to a power supply.
- Ensure that any plastic wrappings, bags, small pieces etc., are disposed of safely and kept out of reach of children. Danger of suffocation!
- Remove the door to the washing compartment when removing an old dishwasher from service or discarding it. Ensure that the appliance presents no danger to children while being stored for disposal.
- Old appliances may contain materials that be recycled. Please contact your local recycling authority about the possibility of recycling these materials.
- The dishwasher drain hose must be installed with a drain loop at least 30" (76 cm) off the cabinet floor; otherwise the dishwasher may not drain properly.
- This dishwasher is intended for residential use only and should not be used in commercial establishments.
- If the dishwasher is a new installation, most of the work must be done before the dishwasher is moved into place.
- If the dishwasher is replacing another dishwasher, check the existing dishwasher connections for compatibility with the new dishwasher and replace parts as necessary.

SAVE THESE INSTRUCTIONS!

INSTALLATION INSTRUCTIONS

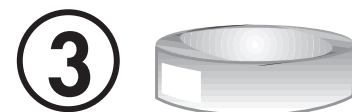
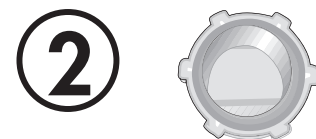
REQUIRED TOOLS

1. Pipe wrench
2. Wire cutter
3. Wire stripper
4. Adjustable wrench
5. Saw
6. Hammer
7. Drill
8. Tape measure
9. Scissors
10. Torx screwdriver
11. Phillips screwdriver
12. Slot screwdriver
13. Level
14. Brush
15. Pencil



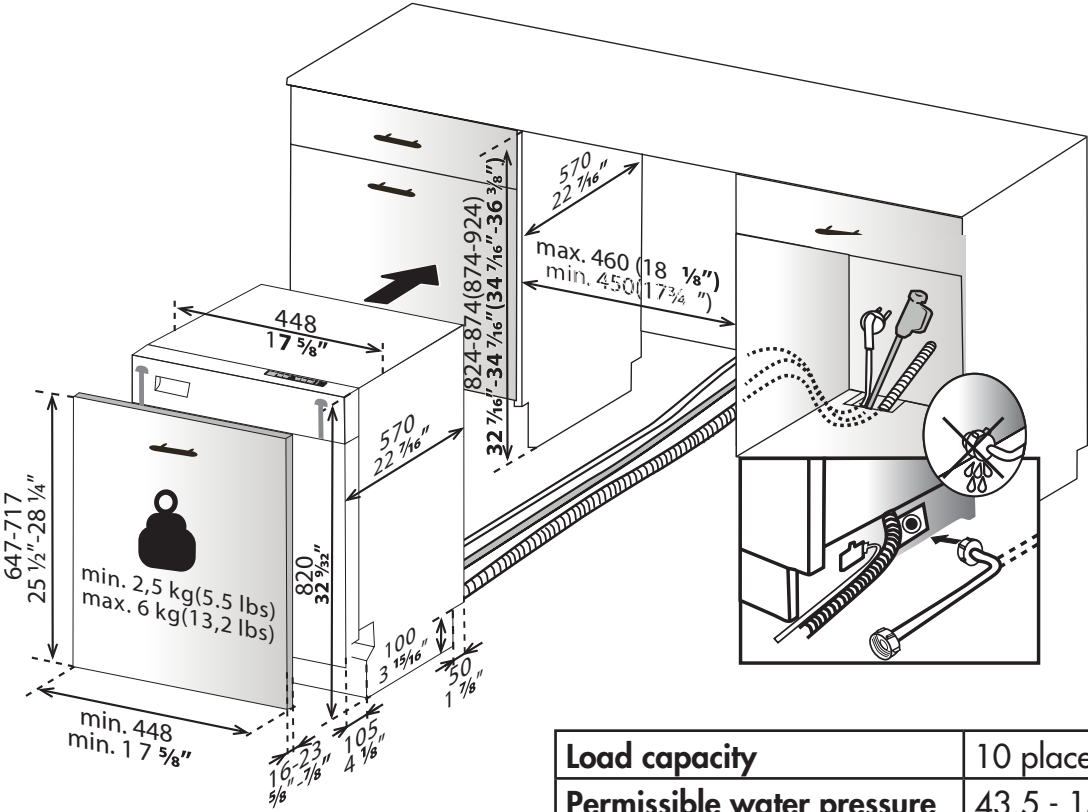
REQUIRED MATERIALS

1. Hot water supply line - minimum 3/4" O.D. copper tubing or metal braided dishwasher supply line
2. UL listed conduit connector or strain relief
3. Teflon tape or other pipe thread compound to seal plumbing connections
4. Shut-off valve and fittings appropriate for hot water supply line (copper tubing/compression fitting or braided hose)
5. Silicone
6. Glue



INSTALLATION INSTRUCTIONS

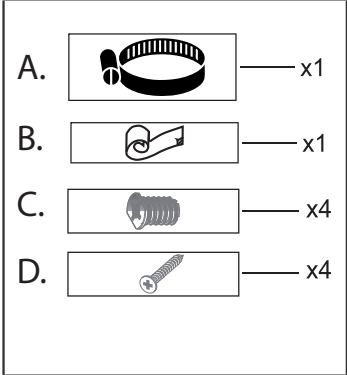
DISHWASHER SPECIFICATIONS



Load capacity	10 place settings
Permissible water pressure	43.5 - 145 psi (0.3 - 10 bars)
Electrical connection	120 V, 12 A, 60 Hz
Total power	1400 W
Heater power	1100 W

ACCESSORIES

- A. Hose clamp
- B. Steam protection foil
- C. Cabinetry mounting plastics
- D. Screws for cabinetry mounting plastics $\varnothing 5/32$
x 1 1/8" (4mm x 28mm)



INSTALLATION INSTRUCTIONS

MOUNTING BRACKETS

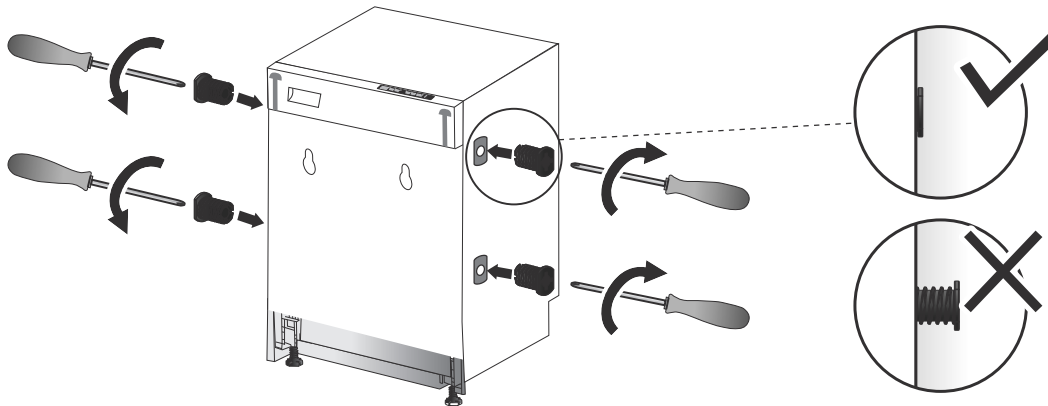
The mounting brackets should be used when the dishwasher is installed in cabinetry. Use of parts other than the supplied brackets may result in damage to property or bodily injury.

The power supply receptacle for the appliance should be installed in a cabinet or on a wall adjacent to the under counter space where the appliance will be installed.

Preparation for Installing Mounting Plastics

CAUTION: Cabinetry mounting plastics and screws in the plastic bag should be used when the dishwasher is installed in the cabinetry. Use of any part other than the mounting parts may result in damage to property or bodily injury

Cabinetry mounting plastics should be assembled with a screwdriver in the marked areas as shown.



CAUTION: Cabinetry mounting plastics should not remain outside. It should completely fit inside the side panel. Otherwise, the dishwasher cannot enter the cabinetry.

NOTICE: It is recommended not to use a drill

INSTALLATION INSTRUCTIONS

ADJUST HEIGHT

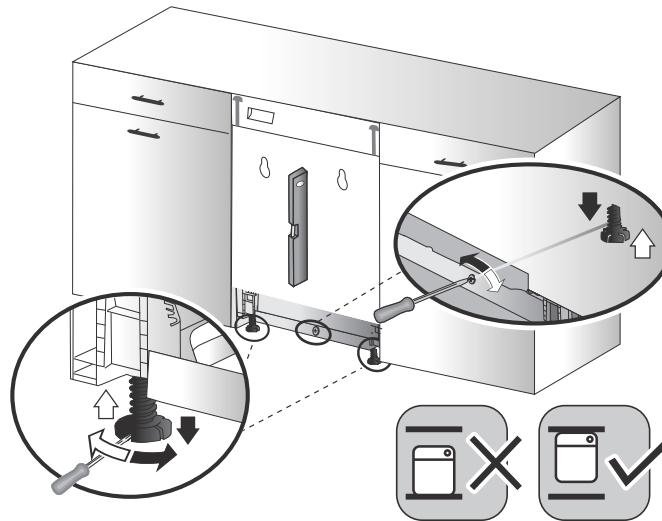
First step: Before the dishwasher is placed in the cabinetry, the front feet are closed until the end and the dishwasher is placed in the cabinetry

Second step: Adjust the forefoot level with a slot screwdriver to stabilize the dishwasher and raise it to the enclosure height.

Third step: Adjust the rear foot level with a Philips screwdriver to balance and raise the dishwasher to the enclosure height.

NOTICE: Make sure the dishwasher is plumb with the top of the enclosure. It does not need a large clearance underneath the countertop

- For front feet; turning the feet in the direction of the white arrows with the slot screwdriver allows the dishwasher to move downwards.
- For rear feet; Turning the Philips screwdriver in the direction of the white arrows will take the dishwasher feet down.



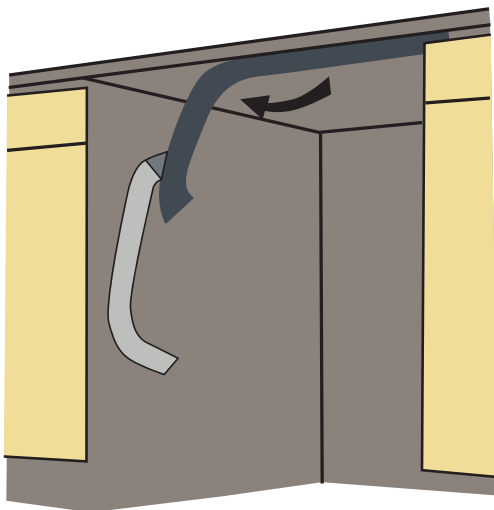
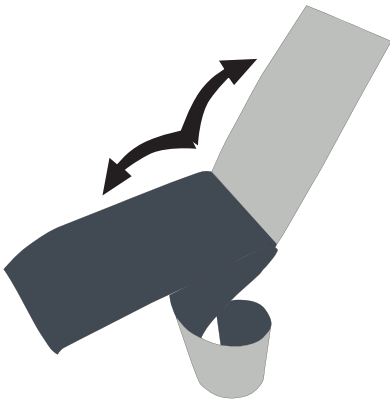
INSTALLATION INSTRUCTIONS

STEAM PROTECTION FOIL

Steam will be produced when the dishwasher door is opened during the operating of the dishwasher and after the completion of a cycle. Install the steam protection foil on the underside of the counter top to prevent the steam from damaging the counter.

Clean the underside of the counter with a damp cloth before applying the steam protection foil to ensure the area is clean. Remove the backing from the foil and place the sticky side of the foil on the underside of the counter as shown.

Steam protection foil must be applied where the steam escapes when the door is opened. Failure to install the steam protection foil during installation can lead to damage to the cabinets and counter top.



WATER SUPPLY CONNECTION

Water can be supplied to the dishwasher in two ways:

- With metal braided hose
- With copper tubing

Hot water supply line: use a minimum 3/4" O.D. copper tubing or metal braided dishwasher supply line.

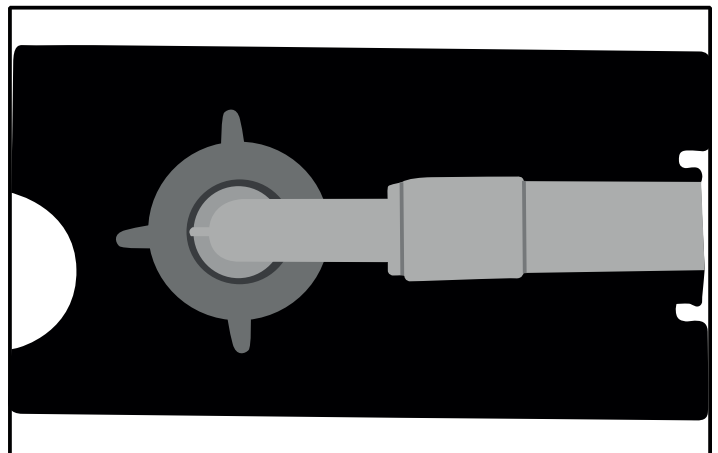
Water inlet valve of the dishwasher has 3/4" - 11.5 NH inlet coupling thread dimension according to ASME B1.20.7-1991.

When purchasing a water inlet hose, choose the thread dimensions of the inlet hose as compatible with indicated water inlet valve coupling thread dimension 3/4" - 11.5 NH of the dishwasher.

Temperatures required for soldering and sweating will damage the dishwasher's water inlet valve so if any such operation is needed, keep the heat source a minimum of 77/8" (20 cm) away from the dishwasher's water inlet valve.

There should not be any sharp bends in the water line that may restrict the water flow.

Teflon tape or pipe tread compound must be used for sealing the connection. Before connecting the copper water supply line to the dishwasher, flush it with hot water to clear any foreign material.

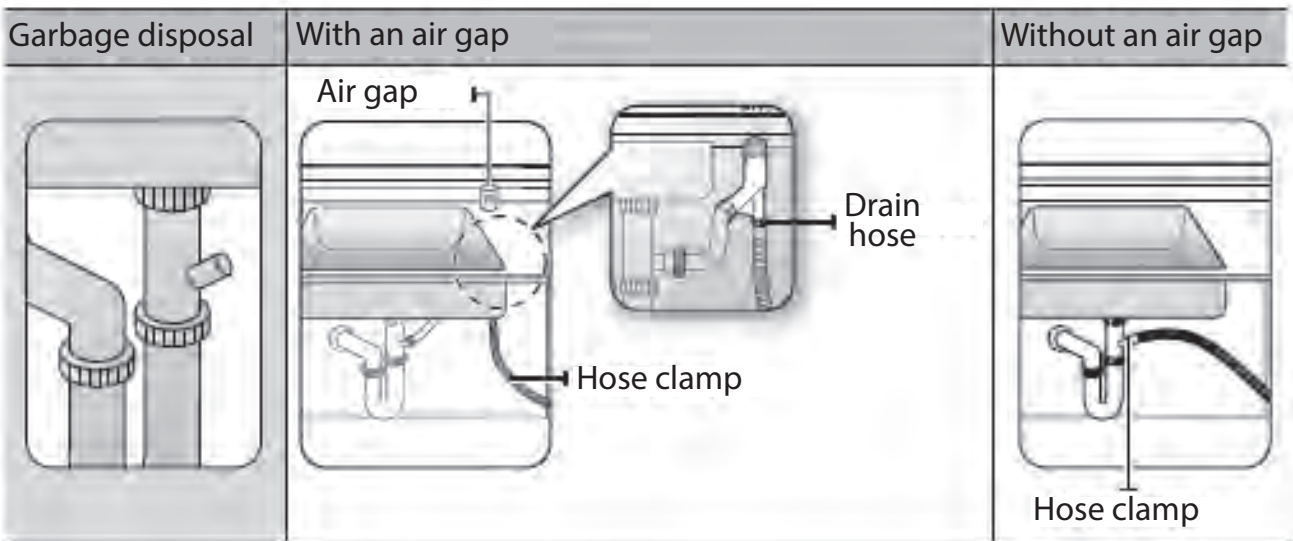


INSTALLATION INSTRUCTIONS

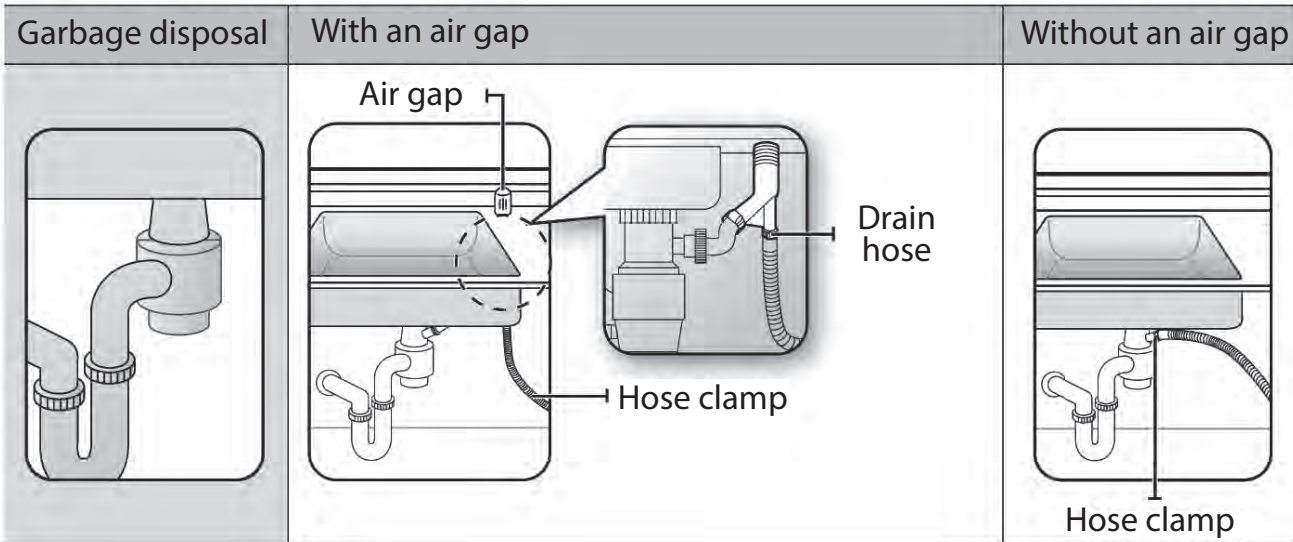
DRAIN HOSE CONNECTION

Check the parts on the sink to which the drain hose will be connected. There are several ways to insert the drain hose into the drain hose connector of the sink as shown in the below images. Connect the drain hose in accordance with the water pipe installation regulations in your region.

Without Disposal



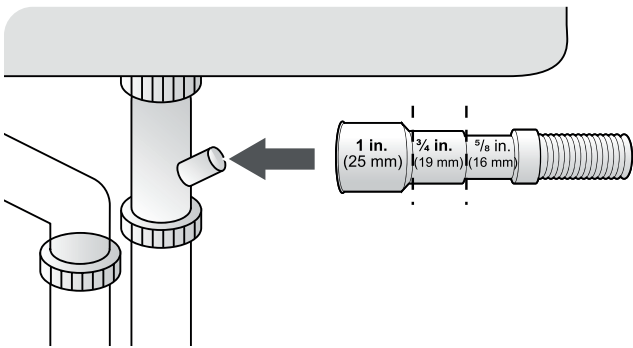
With Disposal



INSTALLATION INSTRUCTIONS

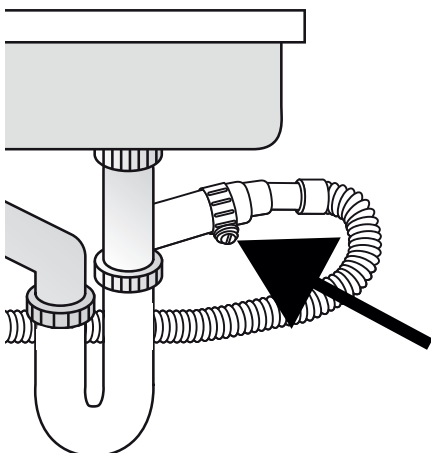
DRAIN HOSE CONNECTION

Check the size of the sink's drain hose connector. If needed, cut the drain hose on one of the dotted lines so its end fits onto the sink connector (5/8", 3/4" or 1"). If the end of the drain hose does not fit onto the drain hose connector of the sink, use an adapter purchasable at a plumbing or hardware supply store.

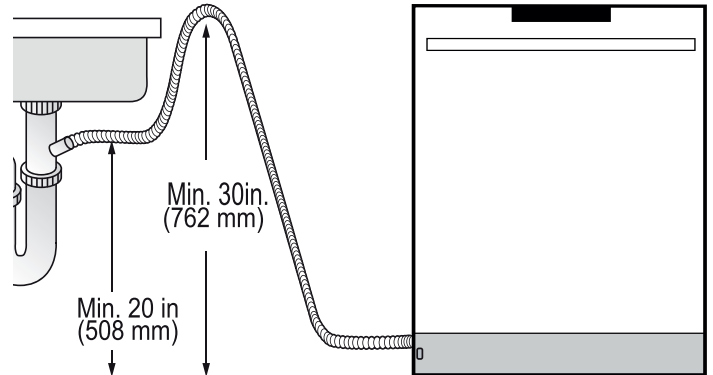


Be careful when cutting off the end of the drain hose as there is a risk of injury. Clean around the sink's drain connection so that it does not damage the hose. Check for any foreign items in the drain hose and remove them. Make sure the drain hose is not cut or damaged by any sharp edges. A damaged drain hose can leak.

Slide a hose clamp over the end of the drain hose. Attach the drain hose to the sink connector, slide the hose clamp to the end of the hose and then tighten the hose clamp. Note, you must use a hose clamp. Failure to do so can cause leaks.



If there is no air gap make sure to hang the middle of the drain hose well above the sink cabinet base to prevent back flow.



When drilling a hole for the drain hose in the cabinet wall, take caution not to damage the drain hose by sharp edges of the hole. On wooden walls, use sanding to soften the edges. On metal walls, use insulation tape or duct tape to cover the sharp edges around the hole.

Be careful not to damage the drain hose when installing the dishwasher. To prevent leaks or drainage problems make sure the drain hose is not damaged, kinked or twisted.

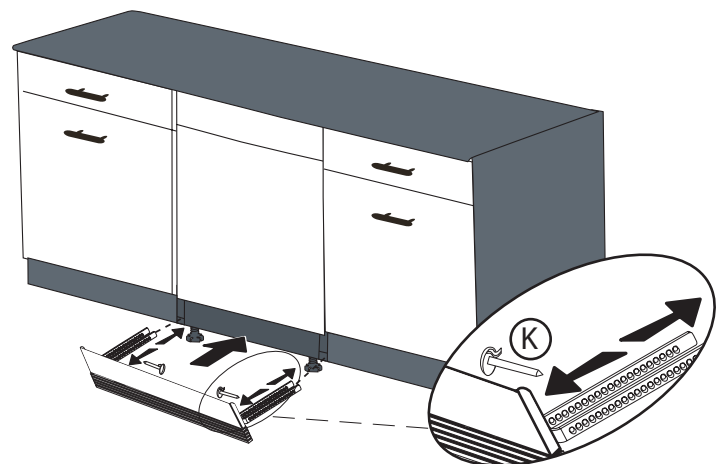
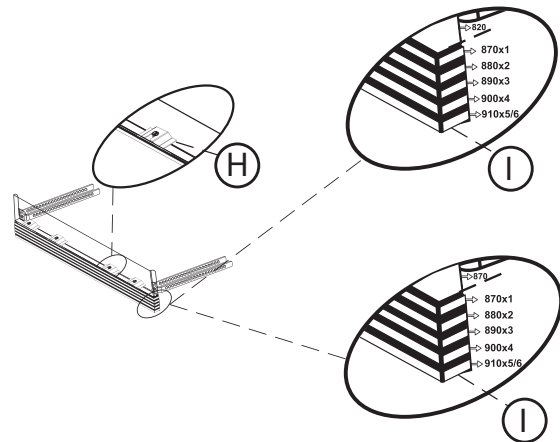
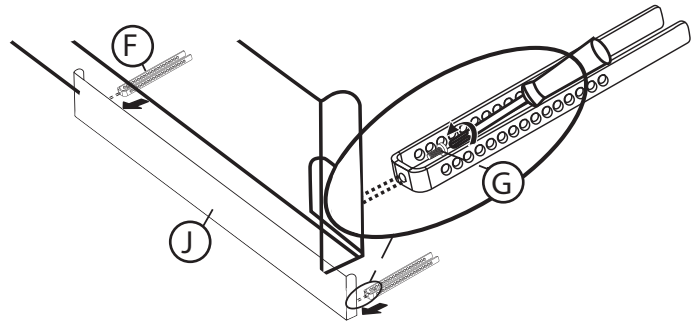
Do not cut the wrinkled area of the drain hose to fit the size. When arranging the drain hose, take care not to let it touch sharp edges of the cabinet or sink.

INSTALLATION INSTRUCTIONS

INSTALLING THE ADJUSTABLE KICKPLATE

Now that you have successfully installed the dishwasher, you need to attach the kickplate to the dishwasher. The two piece kickplate can be adjusted to the height and depth needed for your kitchen.

1. If the height is 32 9/32" to 34 1/4" (824mm-874mm) then use short supports; adjustable plinth metal with 80mm length (J), kickplate brackets (F) are installed. Mounting is done using screws $\varnothing 5/32" \times 7/32"$ ($\varnothing 4\text{mm} \times 6\text{mm}$) (G) with a Philips Screwdriver. If the height is above 34 1/4" (874mm) and use short supports; adjustable plinth metal with 130mm length (J), kickplate brackets (F), are installed. Mounting is done using screws $\varnothing 5/32" \times 7/32"$ ($\varnothing 4\text{mm} \times 6\text{mm}$) (G) with a Philips Screwdriver.
2. Determine the appropriate adjustable plinth number based on the desired distance and assemble them together.
3. Refer to the illustration: Secure the cylindrical feet of the adjustable plinth to the metal fixing parts of the plinth, ensuring they are threaded through the corresponding cavity.
4. Secure the plinth locking mechanism (K) to the kickplate bracket (F) according to the desired depth.
5. Complete the installation by attaching the kickplate brackets (F) to the spaces beneath the machine.



INSTALLATION INSTRUCTIONS

INSTALLER CHECKLIST

Check the following:

- The dishwasher is square and level
- The dishwasher is fastened securely to the cabinet
- The door opens and closes freely without hitting the cabinetry or counter top
- The inlet water supply does not leak
- The drain hose is connected, there are no bends or kinks in it and it does not leak
- The drain hose must be installed with a 30" (76 cm) high drain loop for drain hook ups without any air removed
- The drain hose is connected to a trap spigot under the sink, remove the plastic membrane so that remaining food does not cause a blockage in the drain hose spigot and ensure a hose clamp is used to secure the hose to the spigot
- The spray arms can rotate freely
- The rinse cycle has been run
- The water level will be below the filter screen after the end of the wash program
- It is normal to find some water in the drain filter area

FINAL TEST

1. Press the on/off button to turn the dishwasher on.
2. Power indicator light comes on.
3. Use the program select button to choose a washing program.
4. Start the program with the start/pause/cancel button.
5. Run the dishwasher through one complete cycle. When the wash cycle is completed use the on/off button to turn the dishwasher off.

TROUBLESHOOTING TIPS

The display screen does not turn on

- Check to make sure the breaker to the dishwasher is turned on.
- Check to make sure the power cord is plugged in.

No water is entering the dishwasher

- Check to make sure the water shut off is in the on position.

Water does not drain from the dishwasher

- Make sure the drain hose is not kinked or comes out of air gap next to the sink.
- Remove the drain hose from the disposal and make sure the plug is removed.



Consignes de sécurité importantes

LIRE ET SUIVRE TOUTES LES INSTRUCTIONS DE SÉCURITÉ

En plus de ces instructions, le lave-vaisselle doit être installé:

- Conformément à tous les codes locaux ou, en l'absence de codes locaux,
- Aux États-Unis, avec le National Electric Code,
- Au Canada, avec le Code canadien de l'électricité C22.1 - dernière édition, les codes provinciaux et municipaux et / ou les codes locaux.

Lisez complètement ces instructions d'installation avant de procéder à l'installation et suivez-les attentivement. Conservez ces instructions d'installation et transmettez-les à tout futur utilisateur.

Lors de l'installation du lave-vaisselle, suivez les précautions de base, notamment les suivantes:

- Le lave-vaisselle ne peut être converti que d'un cordon connecté à une connexion permanente par un représentant de service autorisé. Si nécessaire, contactez votre revendeur pour planifier la conversion d'un agent de service autorisé avec un kit de conversion approprié.
- L'installation et la réparation doivent être effectuées par un installateur qualifié. Le travail effectué par des personnes non qualifiées peut être dangereux et annuler la garantie.
- Le lave-vaisselle doit être installé par un plombier agréé, un entrepreneur ou un installateur qualifié. L'installation effectuée par des personnes autres que celles-ci peut entraîner une mauvaise installation et des dommages matériels.
- N'utilisez pas l'appareil s'il est endommagé, défectueux, partiellement démonté ou s'il a des pièces manquantes ou cassées.
- Suivez également les consignes de sécurité du manuel d'utilisation.
- Pour réduire les risques d'électrocution, d'incendie ou de blessures corporelles, l'installateur doit s'assurer que le lave-vaisselle est complètement fermé au moment de l'installation.
- Ne branchez le lave-vaisselle à l'alimentation électrique que lorsque tous les travaux d'installation et de plomberie sont terminés.
- Si le lave-vaisselle est installé dans un endroit soumis à des températures glaciales, comme une maison de vacances ou une cabine, vous devez vidanger toute l'eau de l'intérieur du lave-vaisselle. Les ruptures du système d'eau résultant du gel ne sont pas couvertes par la garantie.

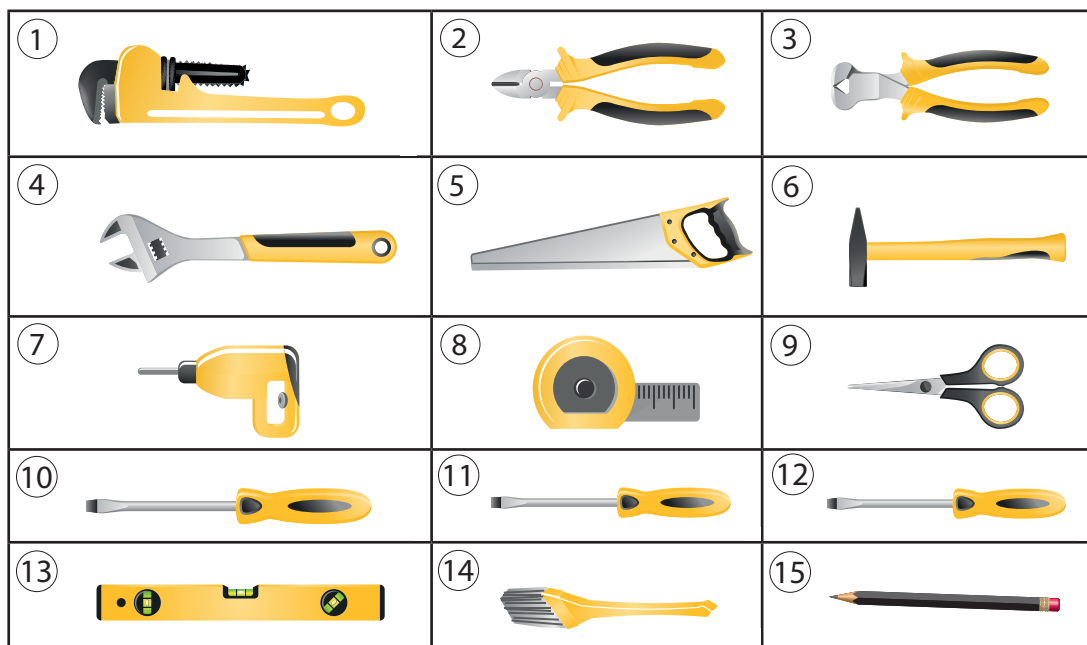
- Le lave-vaisselle doit être fixé aux armoires adjacentes à l'aide des supports fournis. Le non-respect de cette consigne peut entraîner des dommages matériels ou corporels.
- Connectez-vous à un circuit d'alimentation correctement évalué, protégé et dimensionné pour éviter une surcharge électrique. Le lave-vaisselle est conçu pour une alimentation électrique de 120 V, 60 Hz, CA, connecté à un circuit électrique dédié au lave-vaisselle, correctement mis à la terre avec un fusible ou des disjoncteurs de 15 ampères. Les conducteurs d'alimentation électrique doivent être constitués d'au moins un fil de cuivre n° 14 AWG évalué à 75 ° C (167 ° F) ou plus. Ces exigences doivent être respectées pour éviter les blessures et les dommages. Consultez un électricien qualifié en cas de doute.
- Ce lave-vaisselle comprend un élément chauffant. Ne touchez pas l'élément chauffant pendant ou immédiatement après l'utilisation.
- N'utilisez pas de rallonge ni de prise de courant portable pour connecter le lave-vaisselle à une alimentation électrique.
- Assurez-vous que tous les emballages en plastique, sacs, petits morceaux, etc. sont jetés en toute sécurité et hors de portée des enfants. Risque d'étouffement!
- Retirez la porte du compartiment de lavage lorsque vous retirez un ancien lave-vaisselle du service ou le jetez. Assurez-vous que l'appareil ne présente aucun danger pour les enfants lors de son stockage en vue de son élimination.
- Les vieux appareils peuvent contenir des matériaux recyclés. Veuillez contacter votre autorité de recyclage locale au sujet de la possibilité de recycler ces matériaux.
- Le tuyau de vidange du lave-vaisselle doit être installé avec une boucle de vidange à au moins 30" (76 cm) du plancher de l'armoire; Sinon, le lave-vaisselle pourrait ne pas se vidanger correctement.
- Ce lave-vaisselle est destiné à un usage résidentiel uniquement et ne doit pas être utilisé dans des établissements commerciaux.
- Si le lave-vaisselle est une nouvelle installation, la plupart des travaux doivent être effectués avant que le lave-vaisselle ne soit mis en place.
- Si le lave-vaisselle remplace un autre lave-vaisselle, vérifiez la compatibilité des connexions existantes du lave-vaisselle avec le nouveau lave-vaisselle et remplacez les pièces si nécessaire.

GARDER CES INSTRUCTIONS!

INSTRUCTIONS D'INSTALLATION

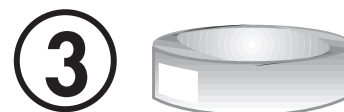
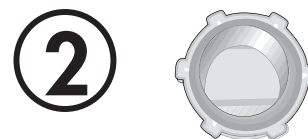
OUTILS REQUIS

1. Clé à pipe
2. Coupe-fil
3. Pince à dénuder
4. Clé à molette
5. Vu
6. Marteau
7. Percer
8. Mètre à ruban
9. Les ciseaux
10. Tournevis Torx
11. Tournevis cruciforme
12. Tournevis à fente
13. Niveau
14. Brosse
15. Crayon



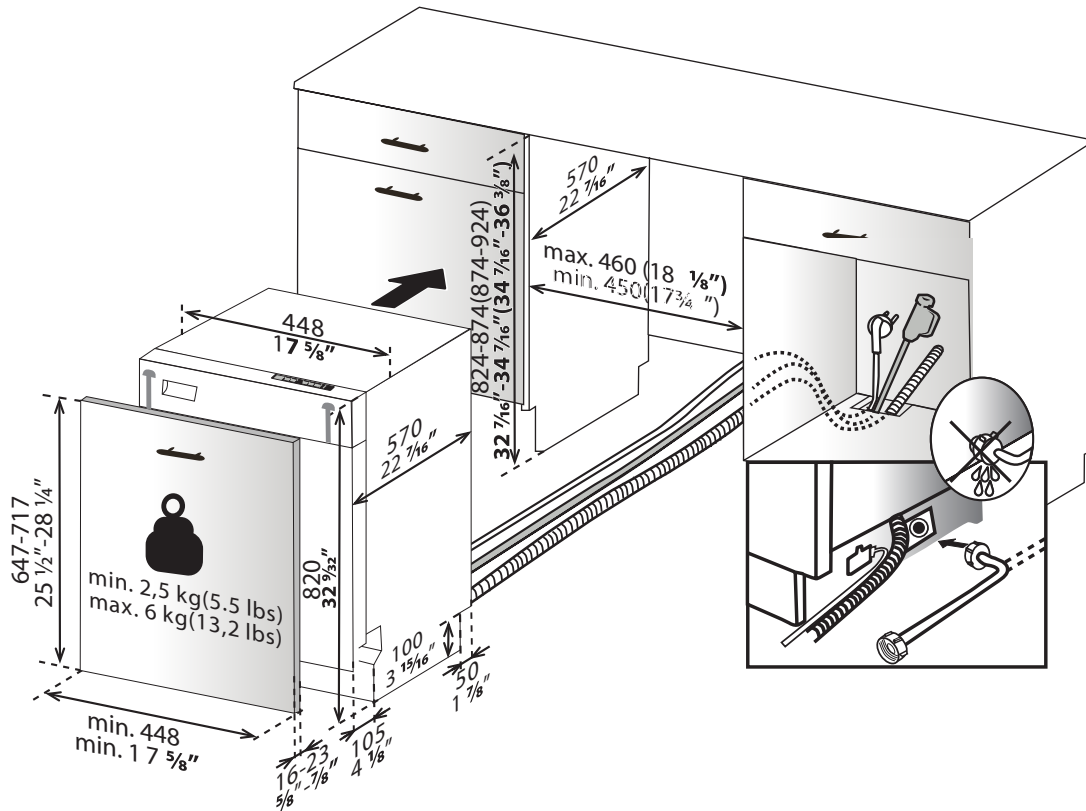
MATÉRIAUX NÉCESSAIRES

1. Conduite d'alimentation en eau chaude - diamètre extérieur minimum de 3/4". tuyauterie en cuivre ou conduite d'alimentation en tresse métallique pour lave-vaisselle
2. Connecteur de conduit ou décharge de traction homologué UL
3. Ruban de téflon ou autre composé de filetage de tuyau pour sceller les connexions de plomberie
4. Vanne d'arrêt et raccords appropriés pour la conduite d'alimentation en eau chaude (tube en cuivre / raccord à compression ou tuyau tressé)
5. Silicone
6. La colle



INSTRUCTIONS D'INSTALLATION

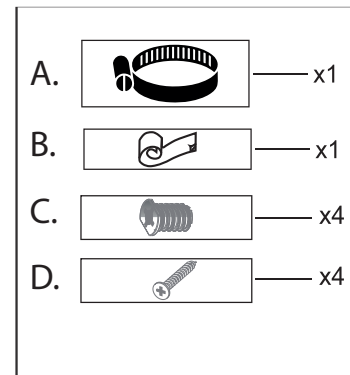
SPÉCIFICATIONS DU LAVE-VAISSELLE



La capacité de charge	10 paramètres de lieu
Pression d'eau admissible	43.5 - 145 psi (0.3 - 10 bars)
Connexion électrique	120 V, 12 A, 60 Hz
Pouvoir total	1400 W
Puissance de chauffage	1100 W

ACCESSOIRES

- A. Collier de serrage
- B. Film de protection contre la vapeur
- C. Plastiques pour montage d'armoires
- D. Vis pour montage d'armoires en plastique Ø 5/32 po x 1 1/8 po (4 mm x 28 mm)



INSTRUCTIONS D'INSTALLATION

SUPPORTS DE MONTAGE

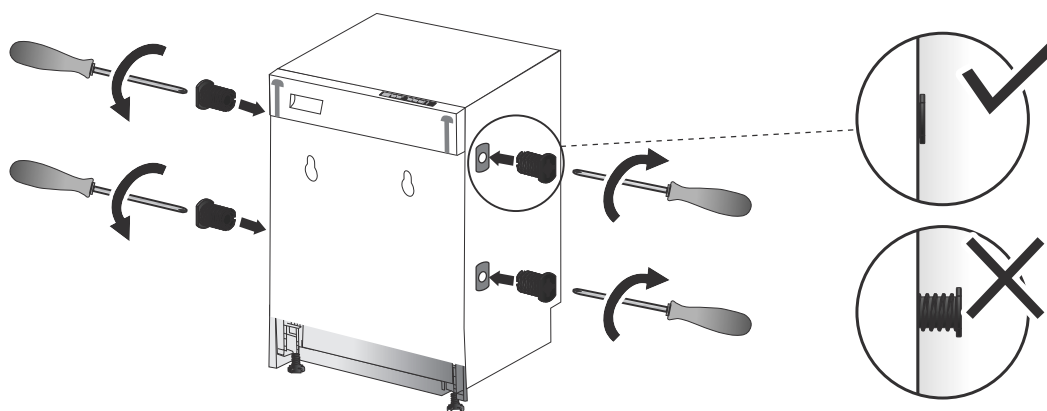
Les supports de montage doivent être utilisés lorsque le lave-vaisselle est installé dans un meuble. L'utilisation de pièces autres que les supports fournis peut entraîner des dommages matériels ou corporels.

La prise d'alimentation de l'appareil doit être installée dans une armoire ou sur un mur adjacent à l'espace sous le comptoir où l'appareil sera installé.

Préparation pour l'installation des pièces de fixation en plastique

ATTENTION : Les pièces de fixation en plastique et les vis fournies dans le sachet en plastique doivent être utilisées lorsque le lave-vaisselle est installé dans un meuble. L'utilisation de pièces autres que celles fournies peut entraîner des dommages matériels ou des blessures corporelles.

Les pièces de fixation en plastique doivent être assemblées à l'aide d'un tournevis dans les zones marquées, comme indiqué.



ATTENTION : les pièces de fixation en plastique ne doivent pas rester à l'extérieur. Elles doivent s'insérer complètement à l'intérieur du panneau latéral. Sinon, le lave-vaisselle ne pourra pas entrer dans l'armoire.

AVIS : il est recommandé de ne pas utiliser de perceuse.

INSTRUCTIONS D'INSTALLATION

RÉGLAGE DE LA HAUTEUR

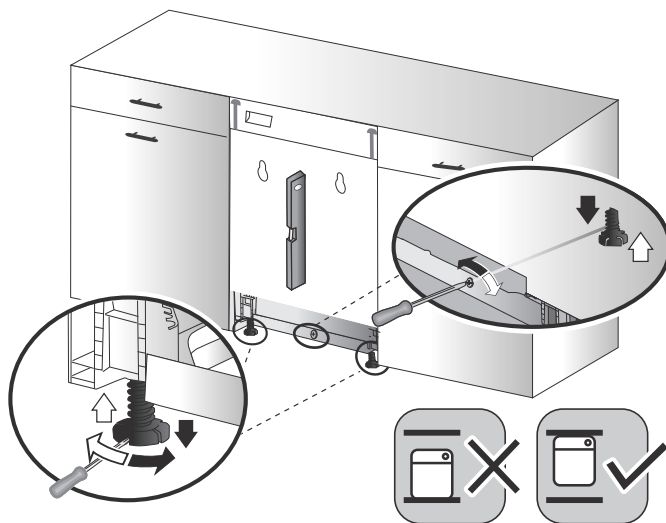
Première étape : avant d'installer le lave-vaisselle dans le meuble, fermez complètement les pieds avant et placez le lave-vaisselle dans le meuble.

Deuxième étape : réglez le niveau des pieds avant à l'aide d'un tournevis plat afin de stabiliser le lave-vaisselle et de le relever à la hauteur du meuble.

Troisième étape : réglez le niveau des pieds arrière à l'aide d'un tournevis cruciforme afin d'équilibrer et de relever le lave-vaisselle à la hauteur du meuble.

REMARQUE : assurez-vous que le lave-vaisselle est d'aplomb avec le haut du meuble. Il n'est pas nécessaire de laisser un grand espace sous le plan de travail.

- Pour les pieds avant, tournez les pieds dans le sens des flèches blanches à l'aide du tournevis plat pour abaisser le lave-vaisselle.
- Pour les pieds arrière, tournez le tournevis cruciforme dans le sens des flèches blanches pour abaisser les pieds du lave-vaisselle.



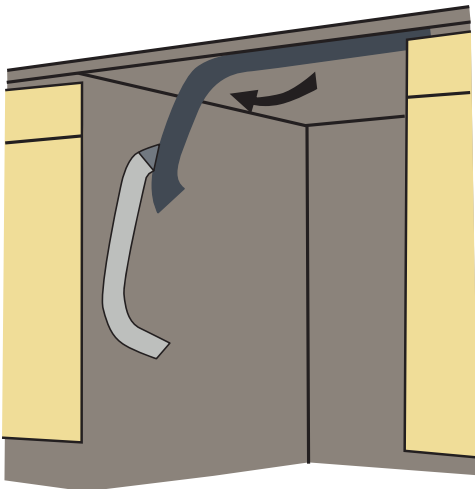
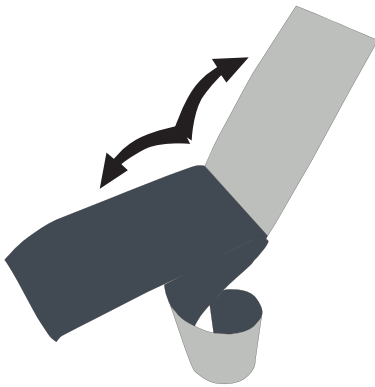
INSTRUCTIONS D'INSTALLATION

FEUILLE DE PROTECTION VAPEUR

De la vapeur sera produite lorsque la porte du lave-vaisselle est ouverte pendant le fonctionnement du lave-vaisselle et après la fin d'un cycle. Installez la feuille de protection contre la vapeur sur la face inférieure du comptoir pour éviter que la vapeur n'endommage le comptoir.

Nettoyez le dessous du comptoir avec un chiffon humide avant d'appliquer le film de protection contre la vapeur pour vous assurer que la zone est propre. Retirez le support de la feuille et placez le côté collant de la feuille sur la face inférieure du comptoir comme illustré.

Une feuille de protection contre la vapeur doit être appliquée là où la vapeur s'échappe lorsque la porte est ouverte. Le fait de ne pas installer la feuille de protection contre la vapeur pendant l'installation peut endommager les armoires et le comptoir.



RACCORDEMENT D'ALIMENTATION EN EAU

L'eau peut être fournie au lave-vaisselle de deux manières:

- Avec tuyau tressé en métal
- Avec tube en cuivre

Conduite d'alimentation en eau chaude: utilisez un diamètre extérieur minimum de 3/4" tuyauterie en cuivre ou conduite d'alimentation en tresse métallique pour lave-vaisselle

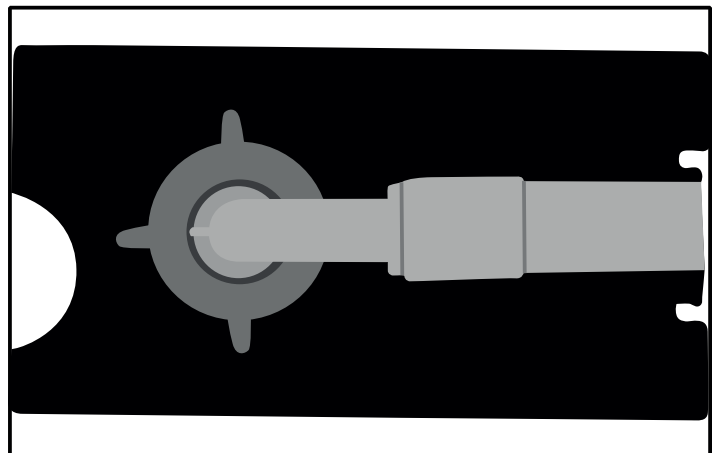
La vanne d'entrée d'eau du lave-vaisselle a une dimension de filetage d'accouplement d'entrée de 3/4" - 11,5 NH selon ASME B1.20.7-1991.

Lors de l'achat d'un tuyau d'arrivée d'eau, choisissez les dimensions de filetage du tuyau d'arrivée comme compatibles avec la dimension de filetage de couplage d'entrée de vanne d'entrée d'eau indiquée 3/4" - 11.5 NH du lave-vaisselle.

Les températures requises pour le soudage et la transpiration endommageront la vanne d'entrée d'eau du lave-vaisselle. Si une telle opération est nécessaire, gardez la source de chaleur à au moins 77/8" (20 cm) de la vanne d'entrée d'eau du lave-vaisselle.

Il ne doit pas y avoir de courbures brusques dans la conduite d'eau qui pourraient restreindre le débit d'eau.

Un ruban en téflon ou un composé de bande de roulement doit être utilisé pour sceller la connexion. Avant de raccorder la conduite d'alimentation en eau en cuivre au lave-vaisselle, rincez-la à l'eau chaude pour éliminer tout corps étranger.

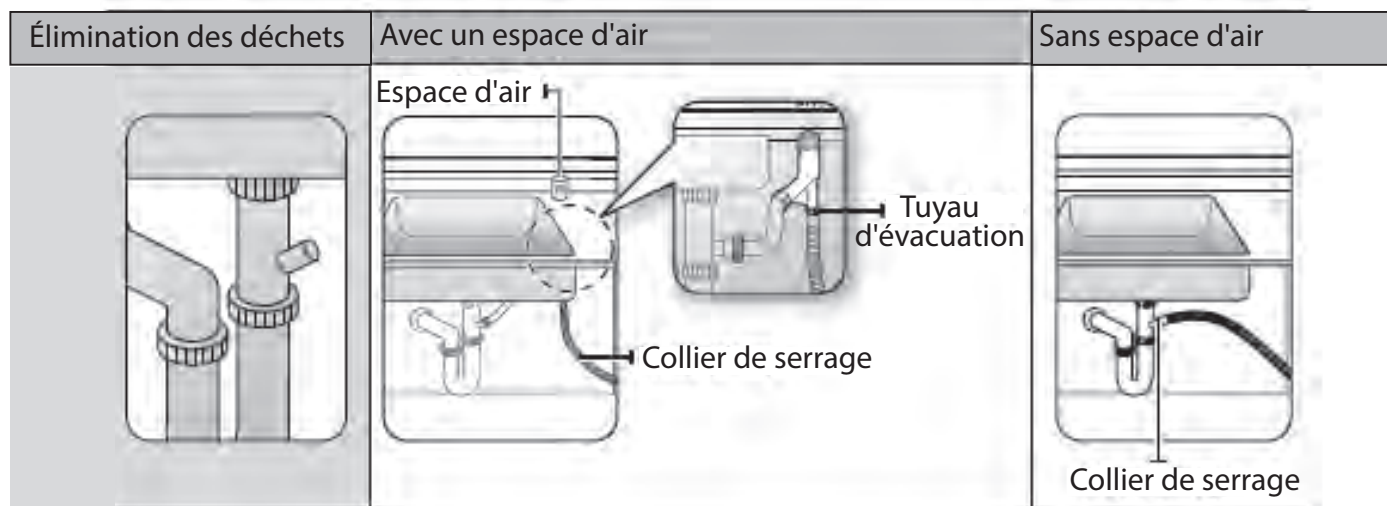


INSTRUCTIONS D'INSTALLATION

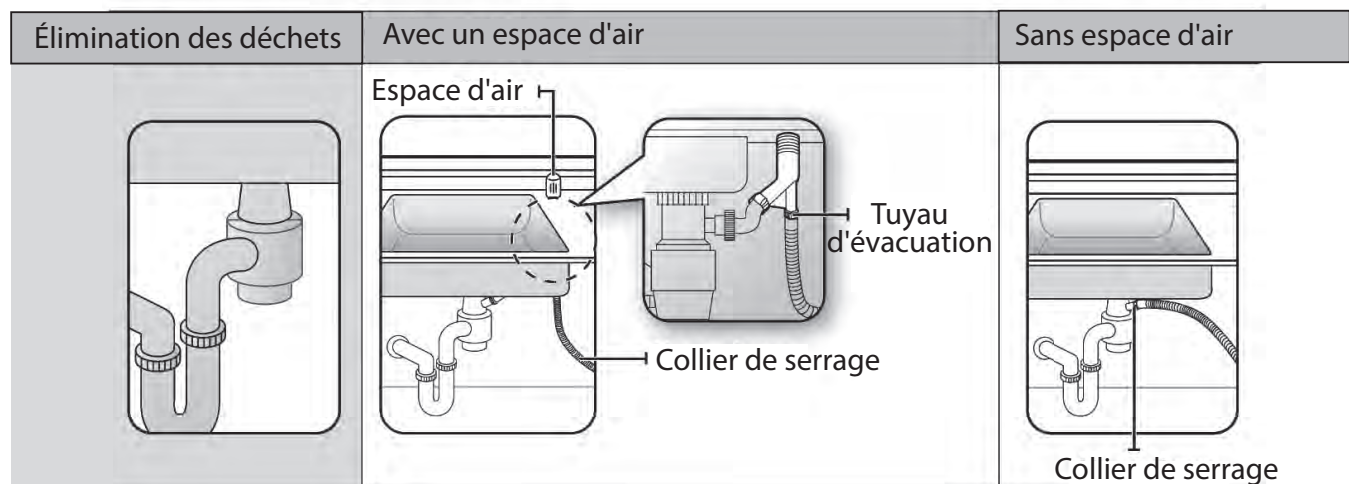
RACCORDEMENT DU TUYAU DE VIDANGE

Vérifiez les pièces de l'évier auxquelles le tuyau de vidange sera connecté. Il existe plusieurs façons d'insérer le tuyau de vidange dans le connecteur du tuyau de vidange de l'évier, comme indiqué dans les images ci-dessous. Branchez le tuyau de vidange conformément aux réglementations d'installation des conduites d'eau de votre région.

Sans élimination



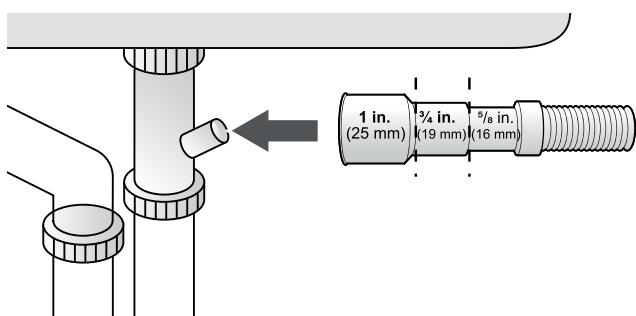
Avec élimination



INSTRUCTIONS D'INSTALLATION

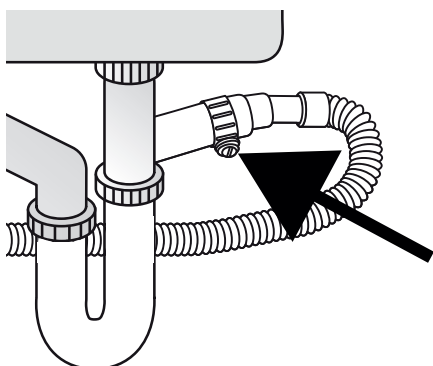
RACCORDEMENT DU TUYAU DE VIDANGE

Vérifiez la taille du connecteur du tuyau de vidange de l'évier. Si nécessaire, coupez le tuyau de vidange sur l'une des lignes pointillées pour que son extrémité s'adapte au connecteur de l'évier (5/8", 3/4" ou 1"). Si l'extrémité du tuyau de vidange ne rentre pas sur le connecteur du tuyau de vidange de l'évier, utilisez un adaptateur achetable dans un magasin de matériel de plomberie ou de quincaillerie.

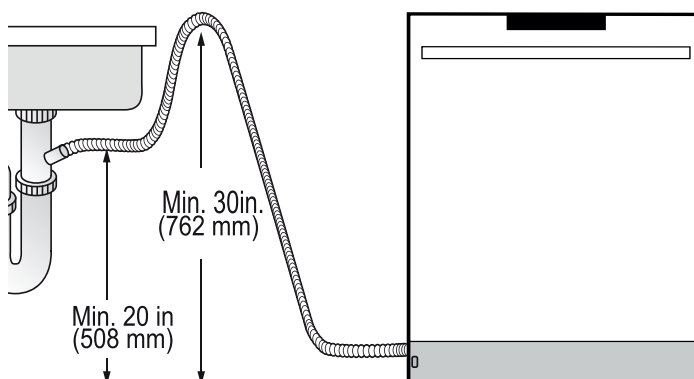


Soyez prudent lorsque vous coupez l'extrémité du tuyau de vidange car il y a un risque de blessure. Nettoyez autour du raccord de vidange de l'évier afin qu'il n'endommage pas le tuyau. Vérifiez la présence d'éléments étrangers dans le tuyau de vidange et retirez-les. Assurez-vous que le tuyau de vidange n'est pas coupé ou endommagé par des bords tranchants. Un tuyau de vidange endommagé peut fuir.

Faites glisser un collier de serrage sur l'extrémité du tuyau de vidange. Fixez le tuyau de vidange au connecteur de l'évier, faites glisser le collier de serrage jusqu'à l'extrémité du tuyau, puis serrez le collier de serrage. Remarque, vous devez utiliser un collier de serrage. Le non-respect de cette consigne peut provoquer des fuites.



S'il n'y a pas d'espace d'air, assurez-vous de suspendre le milieu du tuyau de vidange bien au-dessus de la base du meuble de l'évier pour éviter tout reflux.



Lorsque vous percez un trou pour le tuyau de vidange dans la paroi de l'armoire, veillez à ne pas endommager le tuyau de vidange par les bords tranchants du trou. Sur les murs en bois, utilisez un ponçage pour adoucir les bords. Sur les murs métalliques, utilisez du ruban isolant ou du ruban adhésif pour couvrir les arêtes vives autour du trou.

Veillez à ne pas endommager le tuyau de vidange lors de l'installation du lave-vaisselle. Pour éviter les fuites ou les problèmes de drainage, assurez-vous que le tuyau de vidange n'est pas endommagé, plié ou tordu.

Ne coupez pas la zone froissée du tuyau de vidange pour l'adapter à la taille. Lors de la disposition du tuyau de vidange, veillez à ne pas le laisser toucher les bords tranchants du meuble ou de l'évier.

INSTRUCTIONS D'INSTALLATION

INSTALLER LA PLINTHE RÉGLABLE

Maintenant que vous avez installé le lave-vaisselle avec succès, vous devez fixer la plinthe au lave-vaisselle. La plinthe en deux parties peut être ajustée en hauteur et en profondeur selon les besoins de votre cuisine.

1. Si la hauteur est de 32 9/32" à 34 1/4" (824mm-874mm) et que des supports courts sont utilisés ; un socle métallique réglable avec une longueur de 80mm (J) et des supports pour plinthe (F) sont installés. Le montage s'effectue à l'aide de vis Ø 5/32" x 7/32" (Ø 4mm x 6mm) (G) avec un tournevis cruciforme.

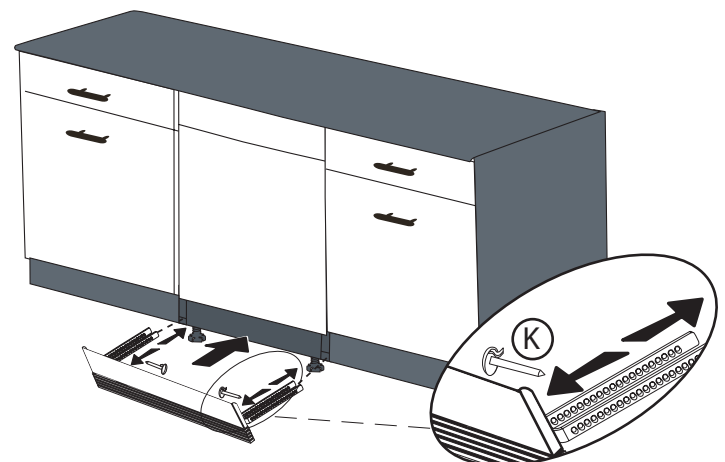
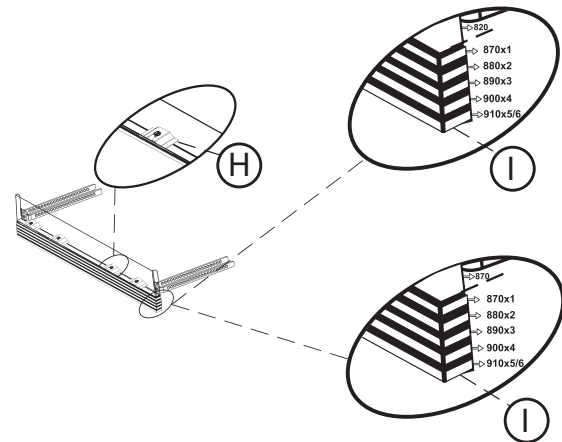
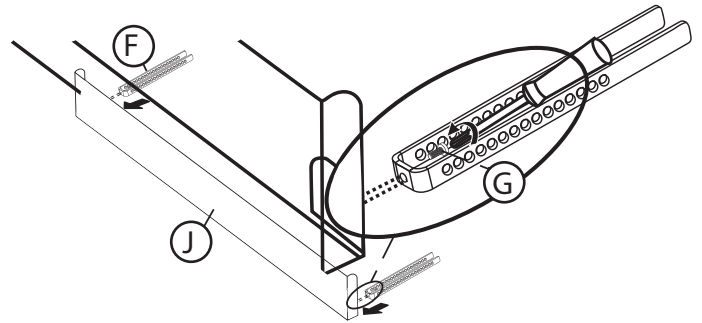
Si la hauteur est supérieure à 34 1/4" (874mm) et que des supports courts sont utilisés ; un socle métallique réglable avec une longueur de 130mm (J) et des supports pour plinthe (F) sont installés. Le montage s'effectue à l'aide de vis Ø 5/32" x 7/32" (Ø 4mm x 6mm) (G) avec un tournevis cruciforme.

2. Déterminez le nombre approprié de socles réglables en fonction de la distance souhaitée et assemblez-les ensemble.

3. Référez-vous à l'illustration : Fixez les pieds cylindriques du socle réglable aux parties métalliques de fixation du socle, en vous assurant qu'ils sont vissés à travers la cavité correspondante.

4. Fixez le mécanisme de verrouillage du socle (K) au support de plinthe (F) selon la profondeur souhaitée.

5. Terminez l'installation en fixant les supports de plinthe (F) aux espaces situés sous la machine.



INSTRUCTIONS D'INSTALLATION

LISTE DE VÉRIFICATION DE L'INSTALLATEUR

Vérifiez les éléments suivants:

- Le lave-vaisselle est carré et de niveau
- Le lave-vaisselle est solidement fixé au meuble
- La porte s'ouvre et se ferme librement sans heurter les armoires ou le comptoir
- L'arrivée d'eau ne fuit pas
- Le tuyau de vidange est connecté, il n'y a pas de coudes ou de plis et il ne fuit pas
- Le tuyau de vidange doit être installé avec une boucle de vidange de 30" (76 cm) de hauteur pour les raccords de vidange sans évacuation d'air
- Le tuyau de vidange est connecté à un robinet de siphon sous l'évier, retirez la membrane en plastique afin que les aliments restants ne provoquent pas de blocage dans le robinet du tuyau de vidange et assurez-vous qu'un collier de serrage est utilisé pour fixer le tuyau au robinet
- Les bras gicleurs peuvent tourner librement
- Le cycle de rinçage a été exécuté
- Le niveau d'eau sera en dessous du tamis du filtre après la fin du programme de lavage
- Il est normal de trouver de l'eau dans la zone du filtre de vidange

EXAMEN FINAL

1. Appuyez sur le bouton marche / arrêt pour mettre le lave-vaisselle en marche.
2. Le voyant d'alimentation s'allume.
3. Utilisez le bouton de sélection de programme pour choisir un programme de lavage.
4. Démarrez le programme avec la touche Départ / Pause / Annulation.
5. Faites fonctionner le lave-vaisselle pendant un cycle complet. Lorsque le cycle de lavage est terminé, utilisez le bouton marche / arrêt pour éteindre le lave-vaisselle.

DES CONSEILS DE DÉPANNAGE

L'écran d'affichage ne s'allume pas

- Assurez-vous que le disjoncteur du lave-vaisselle est activé.
- Assurez-vous que le cordon d'alimentation est branché.

Aucune eau ne pénètre dans le lave-vaisselle

- Assurez-vous que le robinet d'eau est en position de marche.

L'eau ne s'écoule pas du lave-vaisselle

- Assurez-vous que le tuyau de vidange n'est pas plié ou ne sort pas de l'entrefer à côté de l'évier.
- Retirez le tuyau de vidange de la poubelle et assurez-vous que le bouchon est retiré.

Danby Products Limited, Guelph, Ontario, Canada N1H 6Z9

Danby Products Inc. Findlay, Ohio, U.S.A. 45840

www.danby.com

