

FRIGIDAIRE

Factory Parts Catalog

Product No.	GCCE3070AD	GCCE3070AS
PNC	949300006	949300005
Series	30" elec	30" elec
Color	black stainless	stainless
Market	North America	North America
Wiring Diagram	A24287802	A24287802
Owner's Guide	A01704202	A01704202
Installation Instructions	A01705002	A01705002
Quick Start Guide	A23490704	A23490704

Frigidaire

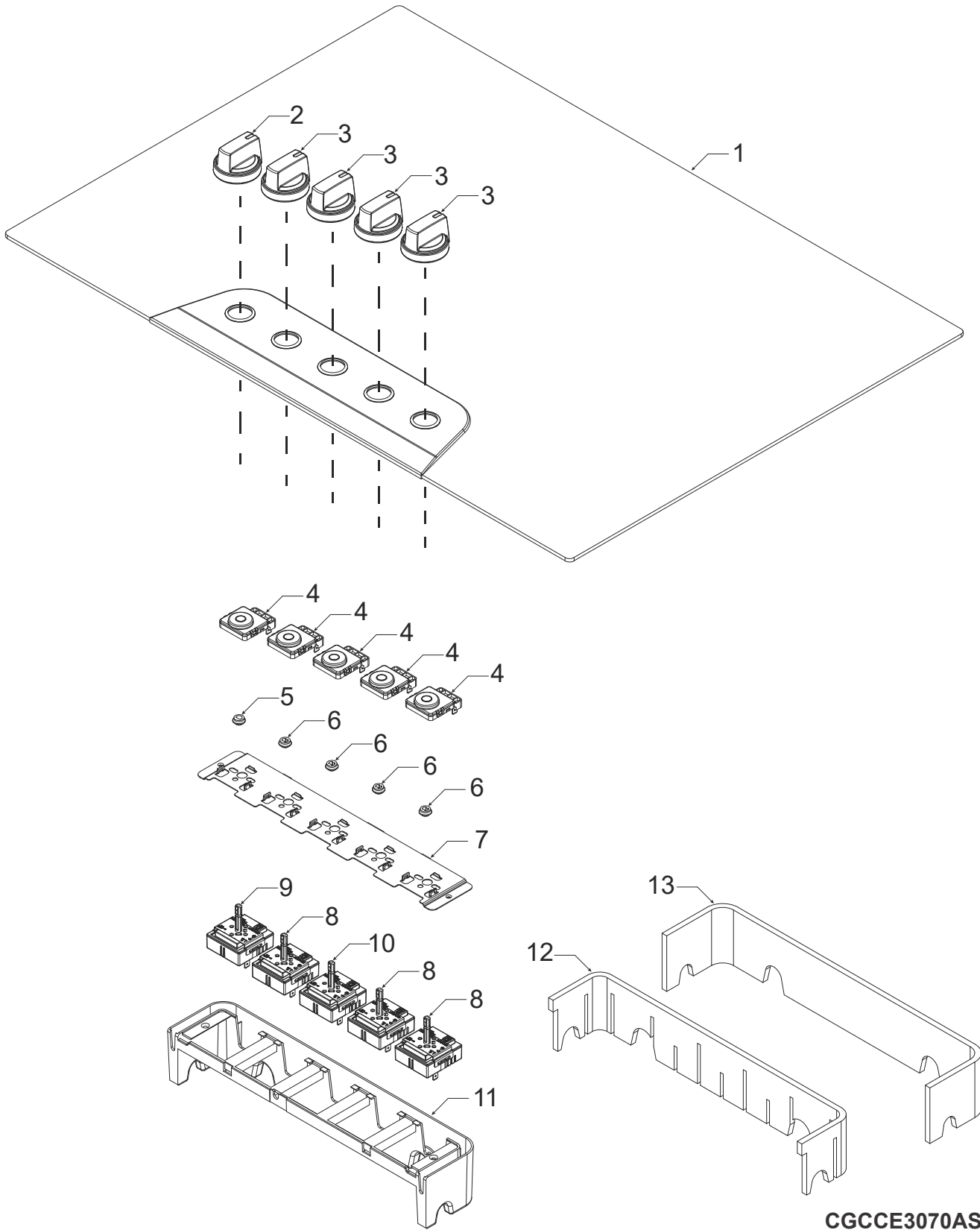
P.O. BOX 8020
CHARLOTTE, NC 28262

30" ELECTRIC COOK-TOP

Model No.
GCCE3070A

Publication No.
5995735189
23/06/19
(EN/SERVICE/ECL)
377

CONTROL PANEL



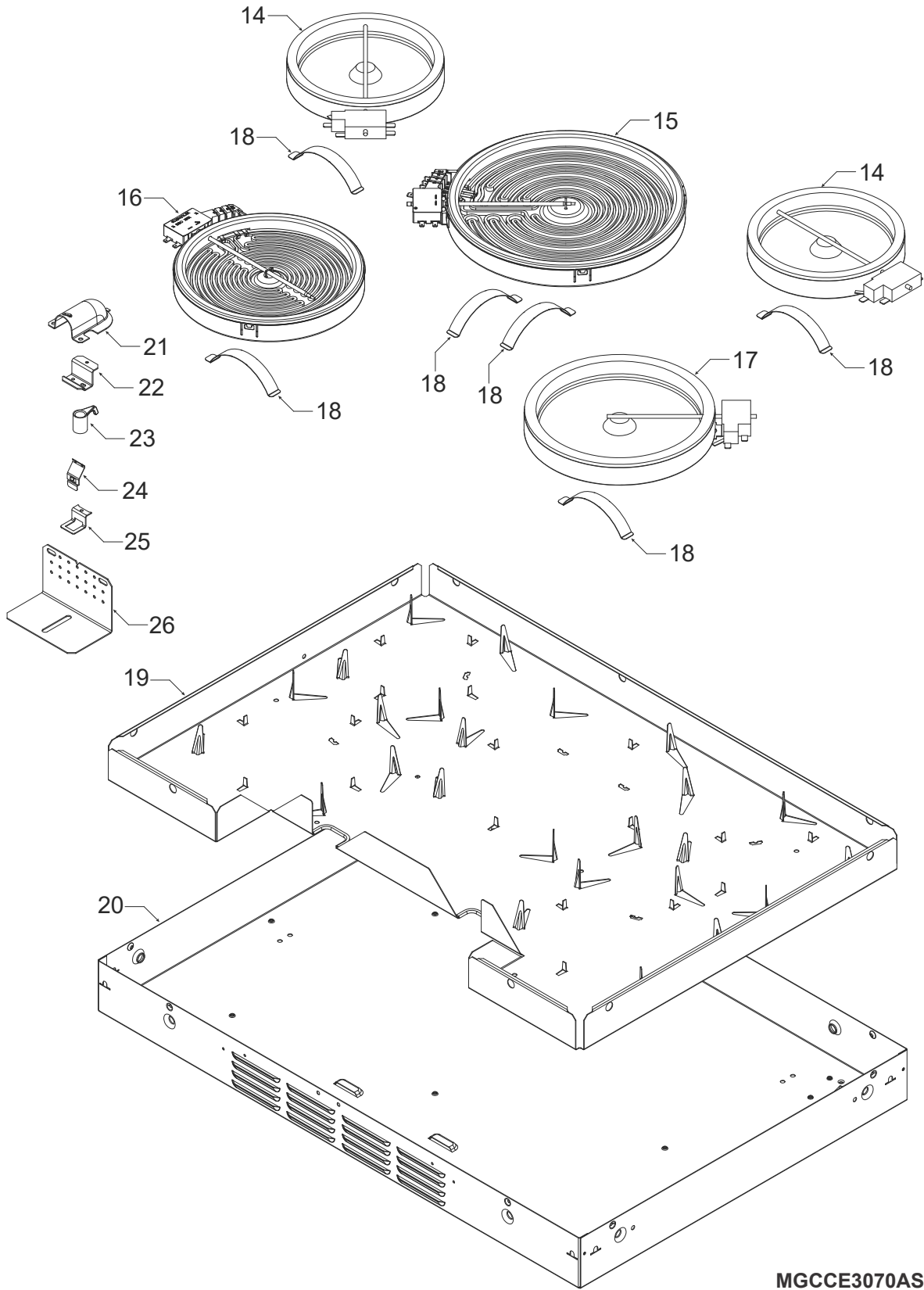
CGCCE3070AS

CONTROL PANEL

Model Index: **A** GCCE3070A (GCCE3070AD)
 B GCCE3070A (GCCE3070AS)

POS. NO	PART NO.		DESCRIPTION
1	5304534170	A -	Main Top, assembly, black stainless, w/trim
1	5304534169	- B	Main Top, assembly, black, w/stnlss trim
2	5304534171	A -	Knob, D shaft, black stainless
2	5304534158	- B	Knob, D shaft, stainless
3	5304534172	A -	Knob, H shaft, black stainless
3	5304534159	- B	Knob, H shaft, stainless
4 #	5304534155	A B	Lamp, LED, backlit
5	5304534160	A B	Sealing Socket, D shaft
6	5304534161	A B	Sealing Socket, H shaft
7	5304534165	A B	Support, surface switch
8 #	5304526190	A B	Switch, surface heating, single
9 #	5304527965	A B	Switch, surface heating, dual
10 #	5304534153	A B	Switch, surface heating, turbo boil
11	5304534166	A B	Housing, surface switch
11*	5304534152	A B	Screw, M4 x 8
12	5304534168	A B	Insulation, thermal, 5 zone inner
13	5304518265	A B	Insulation, control box
*	319224001	A B	Screw, switch mtg., M4 x 7
*	330447900	A B	Screw, B4, 2 x 9, 5

MAIN TOP/SURFACE UNITS



MGCCE3070AS

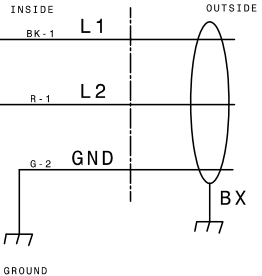
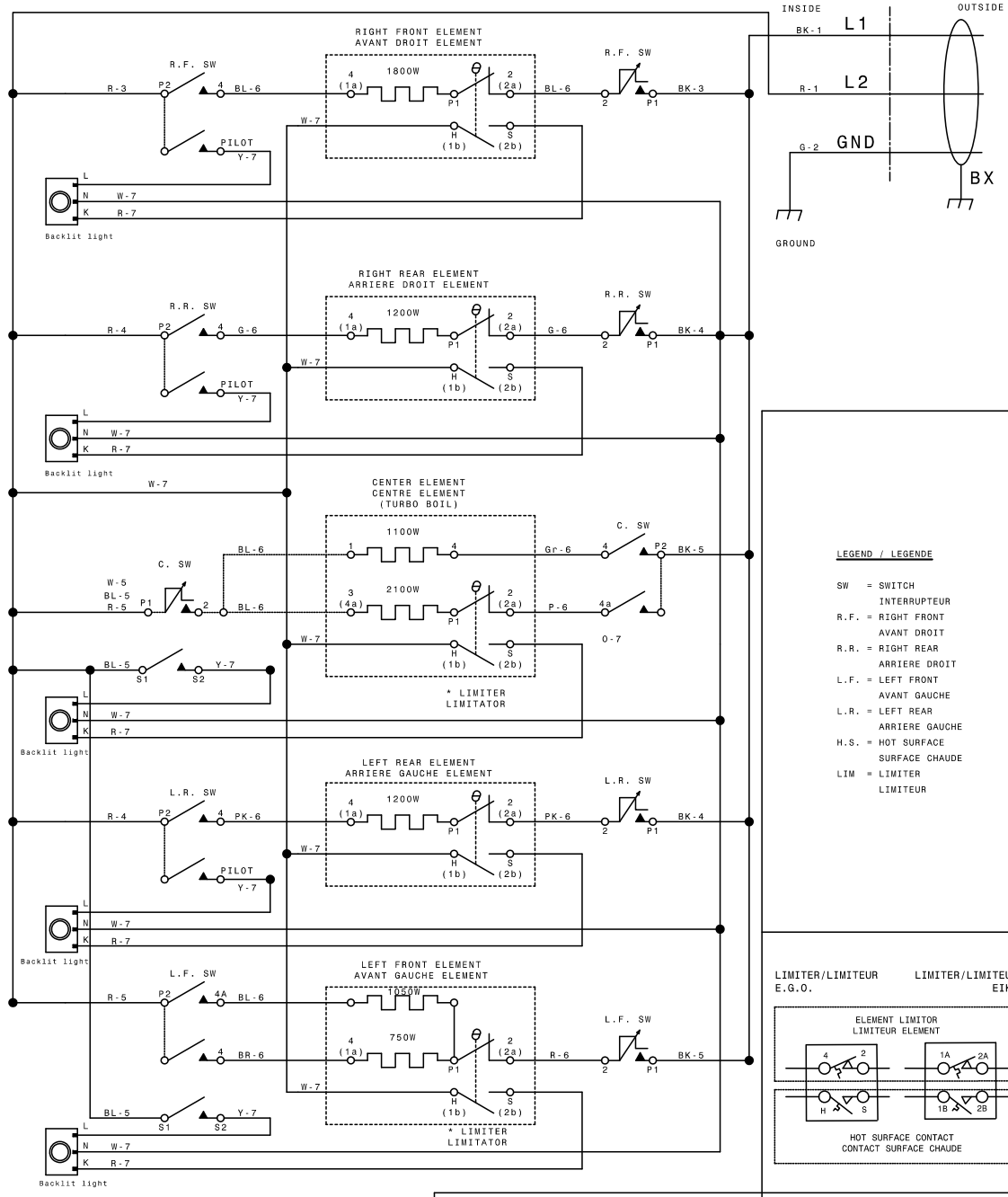
MAIN TOP/SURFACE UNITS

Model Index: **A** GCCE3070A (GCCE3070AD)
 B GCCE3070A (GCCE3070AS)

POS. NO	PART NO.		DESCRIPTION
14 #	374063522	A B	Element, surface, 6", 1200W
15 #	316530001	A B	Element, surface, 9", 3200W, turbo boil
16 #	318198952	A B	Element, surface, dual, 750/1800W
17 #	374063622	A B	Element, surface, 7", 1800W
18	387372900	A B	Spring, surface element
18*	330447900	A B	Screw, B4, 2 x 9, 5
19	5304534164	A B	Box, support, inner, element
20	5304534146	A B	Box, burner, outer, 30"
21	5304534148	A B	Cover, elbow, box & cable
22	5304518258	A B	Bracket, support, Z style
22*	305338602	A B	Screw
23	5304534149	A B	Bracket, support, plastic
23*	305309608	A B	Screw, M4
24	387174602	A B	Bracket, spring, cooktop mtg.
25	387683300	A B	Bracket, surface element
25*	305376101	A B	Screw, bracket, surface element
26	5304522050	A B	Bracket, retainer, main top
* #	5304534163	A B	Harness, box & cable, power connect
* #	5304534167	A B	Harness, wiring, main
*	202855101	A B	Holder, cable
*	305452800	A B	Screw, ground

WIRING DIAGRAM

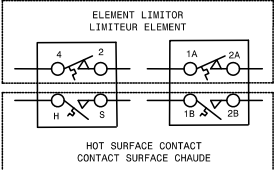
MODEL WITH 3 SINGLE ELEMENTS, 1 DOUBLE ELEMENT
 MODELE AVEC 3 SINGLE ELEMENTS, 1 DOUBLE ELEMENT, 1 TURBO BOIL ELEMENT



LEGEND / LEGENDE

- SW = SWITCH
INTERRUPTEUR
- R.F. = RIGHT FRONT
AVANT DROIT
- R.R. = RIGHT REAR
ARRIERE DROIT
- L.F. = LEFT FRONT
AVANT GAUCHE
- L.R. = LEFT REAR
ARRIERE GAUCHE
- H.S. = HOT SURFACE
SURFACE CHAUDE
- LIM = LIMITER
LIMITEUR

LIMITER/LIMITEUR E.G.O. EIKA



COLOR CODE

BK = BLACK	BR = BROWN
G = GREEN	BL = BLUE
W = WHITE	GY = GREY
R = RED	P = PURPLE
O = ORANGE	PK = PINK
Y = YELLOW	

WIRE	GAGE	TEMP. (°C)	UL
1	8	150	3321
2	10	150	3321
3	12	150	3321
4	14	150	3321
5	16	150	3321
6	18	200	3122
7	20	200	3122

CAUTION: DISCONNECT POWER BEFORE SERVICING UNIT.
ATTENTION: COUPER LE COURANT AVANT D'EFFECTUER LA REPARATION.

A24287802 / A