

This traditional European design brings an exciting new look to your kitchen. Available in stainless steel. Bright LED lighting enhances your cooking experience, while the 3-speed backlit soft touch control makes operation easy.

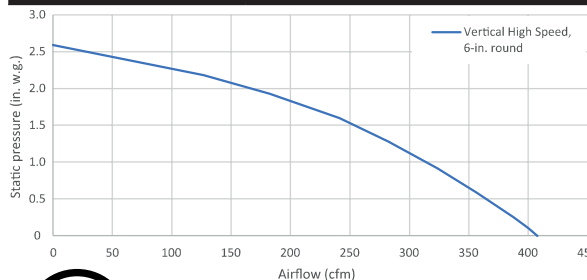
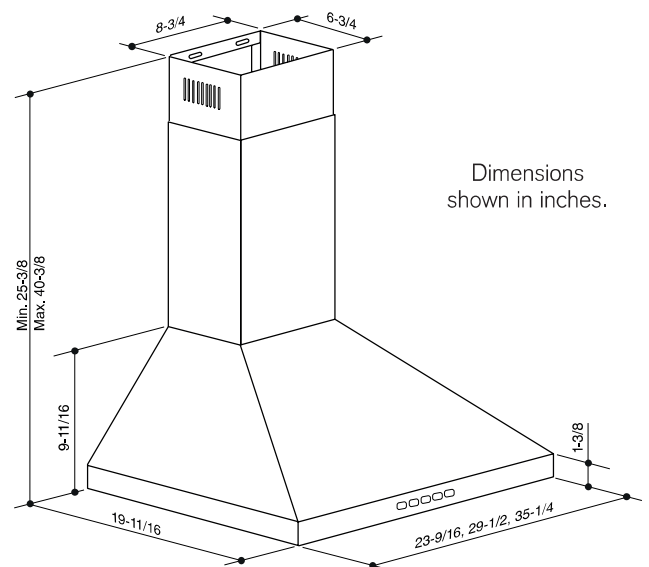
SIZE	MODEL NO.	GREASE FILTERS (replacement)	NON-DUCTED CHARCOAL FILTERS
23-9/16 in.	BWP1244SS	S99010489 (set of 2)	FILTERBWPTS (set of 2)
29-1/2 in.	BWP1304SS	S97018027 (set of 2)	FILTERBWPTS (set of 2)
35-1/4 in.	BWP1364SS	S97018028 (set of 3)	FILTERBWPTS (set of 2)

HVI PERFORMANCE									
Duct Orientation	Size	Damper	Sones			CFM			
			Normal	Medium*	High	Normal	Medium*	High 0.25 in. w.g.	High 0.1 in. w.g.
Round - Vertical	6 in.	Included	3.0	5.5	8.5	220	360	385	400

FEATURES	
Max Blower Airflow	450 CFM
Finish	430 Stainless Steel #4 Brushed
Wall Mount	Yes
Telescopic Flue	Yes - Accomodates 8-ft. to 9-ft. ceilings
Convertible to non-ducted operation	Yes - Non-Duct Kit ARKBWP sold separately
Blower type	Single, Centrifugal
Cord-connected	Yes
Control type	Soft-Touch <ul style="list-style-type: none"> • Blower low speed • Blower medium speed • Blower high speed • Light on-off • 5-Minute delay
Lighting	2 x LED Modules 5.5 W, (included)
Grease Filters	Aluminum grease filters, dishwasher-safe with quick-release latch



AC INPUT	
120 V, 60 Hz - 2.6 AMPS	
OPTIONAL ACCESSORIES (sold separately)	
Flue Extension for 10-ft. ceiling	FXN58SS
Non-Duct Kit	ARKBWP
MOUNTING HEIGHT	
24-in. from cooktop to bottom of hood	
LIMITED WARRANTY	
1-year (See installation manual for full warranty text.)	
FOR INDOOR USE ONLY	



Intertek
Broan-NuTone LLC
Venmar Ventilation ULC



HVI-2100 CERTIFIED RATINGS comply with new testing technologies and procedures prescribed by the Home Ventilating Institute, for off-the-shelf products, as they are available to consumers. Product performance is rated at 0.1 and 0.25 in. static pressure at high speed based on tests conducted in an HVI-approved state-of-the-art test laboratory. Sones are a measure of humanly-perceived loudness, based on laboratory measurements.

* Where noted performance rating is not HVI certified but was established in accordance with HVI Standardized test procedure. Product will be listed at HVI as of July 10, 2020.

99529070B

926 West State Street, Hartford, WI 53027 | 1 800-558-1711 | www.Broan-NuTone.com
550 Lemire Blvd., Drummondville Québec Canada J2C 7W9 | 1 877-896-1119 | www.broan.ca