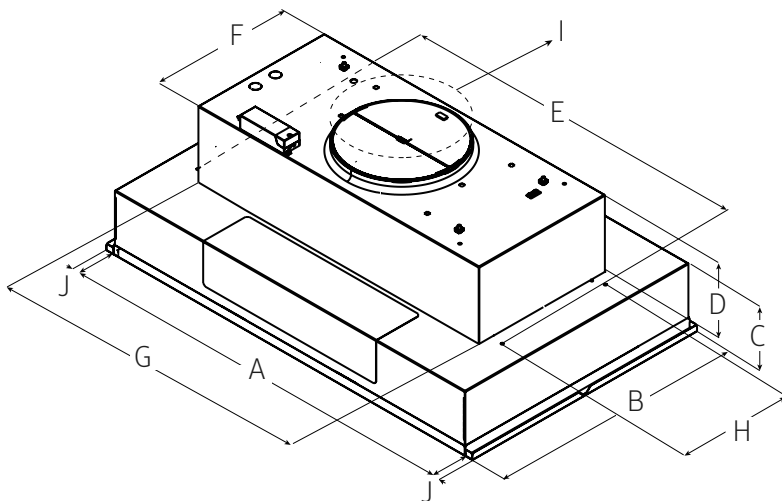


Installation Requirements

Dimensions and clearances

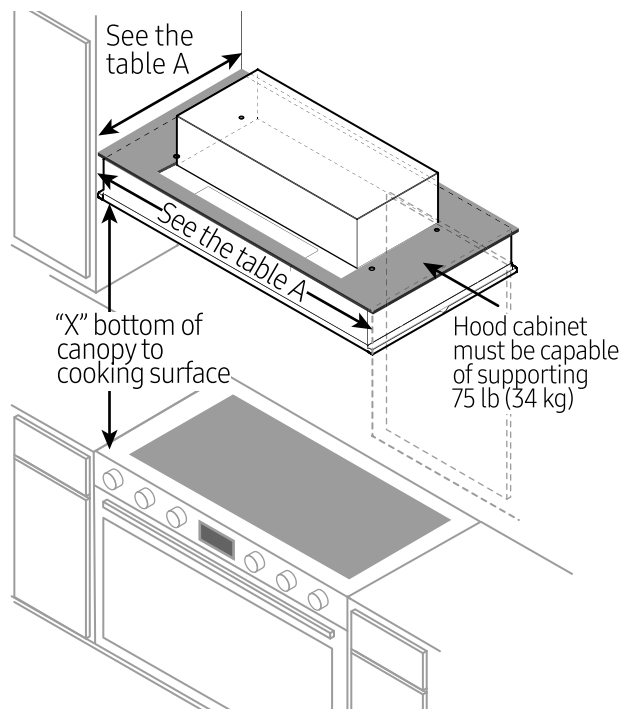


	Models		
	30"	36"	48"
A	28½" (72.1 cm)	34½" (87.4 cm)	46½" (117.8 cm)
B	22" (55.9 cm)		
C	5⅞" (13.8 cm)		
D	6½" (16.4 cm)		
E	22" (56 cm)	27⅞" (70 cm)	
F	12⅞" (31.4 cm)		
G	24⅝" (61.8 cm)	29⅓" (75.7 cm)	
H	10⅞" (25.7 cm)		
I	10" (25.4 cm)		
J	¾" (1.9 cm)		

This hood has the flexibility to be installed in two different ways, depending on the width measurement or working area between the left and right cabinetry. Before beginning, it is important to determine the dimension of this working area and to consider the measurements detailed in the next table.

Table A

Hood Models	Hood width without spacers	Hood width with spacers	Hood Depth
30"	28½" (72 cm)	30" (76.2 cm)	22" (55.9 cm)
36"	34½" (87 cm)	36" (91.44 cm)	
48"	46½" (117.5 cm)	48" (121.92 cm)	



IMPORTANT:
 Minimum distance "X": 24" (60.9 cm) from electric cooking surfaces.
 Minimum distance "X": 30" (76.2 cm) from gas cooking surfaces.

Installation

Installation instructions

We recommend that a qualified technician install the hood. It is the installer's responsibility to ensure the hood complies with the installation clearances specified for the product.

- It is recommended that the vent system be installed before the hood is installed.
- If possible, disconnect and remove any cooking appliance from beneath the hood area to provide easier access to the rear wall.
- Before making cutouts, make sure there is proper clearance within the ceiling or wall for the exhaust vent.

- Confirm that all installation parts have been removed from the shipping carton.
1. Turn off the power at the circuit breaker panel or fuse box.
 2. Determine which venting method to use: roof or wall exhaust.

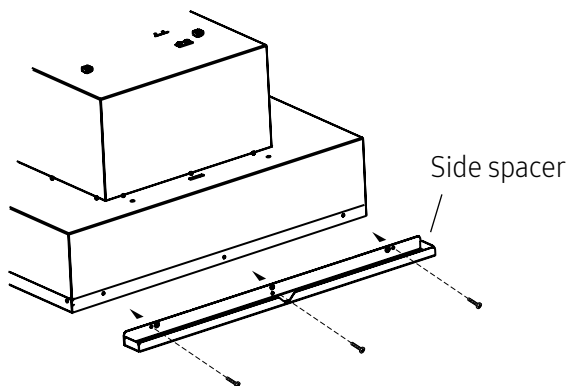
NOTE

This hood is factory set to vent through the top air exit.

3. Select a flat surface for assembling the hood. Place a covering over that surface

Stainless steel hood spacer installation

- You can elongate 1.5" (3.8 cm) of your hood width ($\frac{3}{4}$ " [1.9 cm] per side), installing the stainless steel spacers included with your hood.
 - Unpack the spacer and take off the protective film.
 - Put each one on the right and the left side
 - Fasten hood spacers to the hood cabinet and tighten securely using 3 - 3.5 x 6.5 mm screws each.
- If cabinetry designs reduces the width opening (i.e. – 28.5", 34.5" or 46.5") to install the hood, the spacers are not used.
 - If you have a full width opening (i.e. – 30", 36" or 48") to install the hood, you should use the spacers.



Installation

Prepare the location

- Disconnect power.
- Determine which venting method to use: roof or wall exhaust.
- Select a flat surface for assembling the hood insert. Place covering over that surface.
- It is recommended that the vent system be installed before hood is installed.
- Before making cutouts, make sure there is proper clearance within the ceiling or wall for exhaust vent.
- Hood insert should be installed a minimum 24" (60.9 cm) above an electric cooking product and 30" (76.2 cm) above a gas cooking product. The maximum recommended height over both cook tops is 36" (91.4 cm).
- Check that all installation parts have been removed from the shipping carton.
- Using 2 or more people, lift hood insert onto covered surface.
- Remove the filters. See the "Cleaning" section.

Install hood into hood cabinet

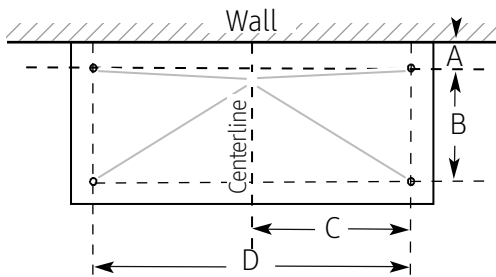
The hood attaches to the hood cabinet using 4 - 5 x 45 mm screws and washers.

NOTE

Hood cabinet must be capable of supporting 75 lb (34 kg).

Prepare hood for mounting into cabinet

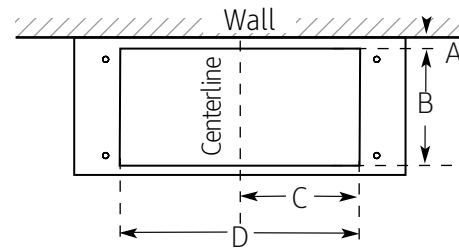
1. Mark the locations for the four mounting screws on the hood cabinet as shown below.
2. Using a 1/8" (3 mm) drill bit, drill the 4 holes.



Mounting hole dimensions

Model	DIM A	DIM B	DIM C	DIM D	DIM E
30"	6" (15.5 cm)	10 ⁵ / ₁₆ " (25.6 cm)	12 ⁵ / ₃₂ " (30.9 cm)	24 ⁵ / ₁₆ " (61.8 cm)	Ø 1/8" (3mm)
36"			14 ¹⁵ / ₁₆ " (38 cm)	29 ¹³ / ₁₆ " (75.8 cm)	
48"					

3. Mark the cutout for the rectangular clearance hole for the upper hood motor housing as shown.
4. Using a jigsaw, cut out the rectangular clearance hole for the upper hood housing.



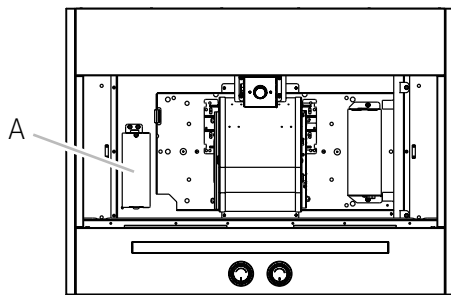
Upperhood motor housing dimensions

Model	DIM A	DIM B	DIM C	DIM D
30"	4 ¹ / ₄ " (10.8 cm)	15 ⁵ / ₁₆ " (38.9 cm)	7 ⁵ / ₈ " (19.45 cm)	23 ⁷ / ₁₆ " (59.5 cm)
36"			14 ¹ / ₂ " (36.8 cm)	28 ¹⁵ / ₁₆ " (73.5 cm)
48"				

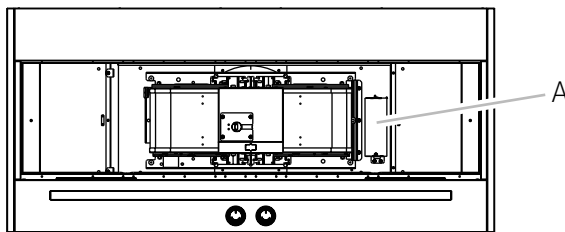
Installation

1. Determine and make all necessary cuts in the wall or roof for the vent system. Install the vent system before installing the cabinet hood insert. See the "Venting Requirements" section.
2. Determine the location where the power supply cable will be run through the wall.
3. Drill a 1¼" (3.2 cm) hole at this location.
4. Pull enough power supply cable through the wall to allow for easy connection to the terminal box.
5. Remove terminal box cover (A) and set aside.
6. Remove knockout from the top of the vent hood and install a UL listed or CSA approved ½" (1.3 cm) strain relief.
7. Place the hood insert near its mounting position and run the power supply cable through the strain relief into terminal box (enough to make connection).
8. Tighten the strain relief.
9. Using 2 or more people, lift the hood insert into hood cabinet.
10. Fasten the hood using 4 - 5 x 45 mm screws with washers to the hood cabinet and tighten securely.

30" Single fan models



36" and 48" Double fan models



▲ WARNING

EXCESSIVE WEIGHT HAZARD

USE TWO OR MORE PEOPLE TO MOVE AND INSTALL HOOD INSERT.

FAILURE TO DO SO CAN RESULT IN BACK OR OTHER INJURY.

