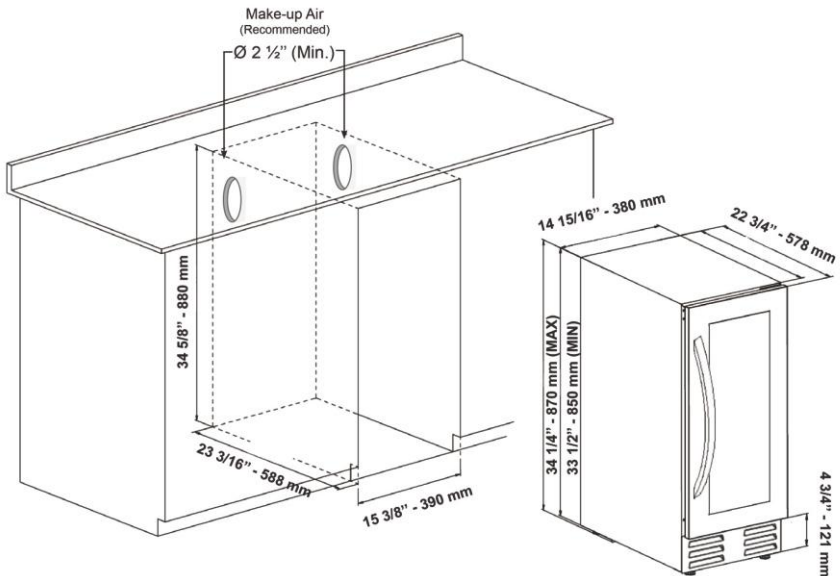


MWC28-DSS Cutout & Dimensions



In "Hot and Humid locations", an air vent with a minimum ventilation size of 200mm x 40mm **MUST** be cut out on each side OR 2 circular shapes with a diameter of 65mm at the top of either side of the partitioning, allowing cool air to flow into the rear of the cabinet. This air vent must not be opened on the same side as other appliances, such as ovens, or an area that is sealed and without access to fresh cool air. **Failing to comply with the above specifications could result in WARRANTY BECOMING VOID.**

Please ensure you have a minimum of 3/16" clearance on each side of the unit. This space will allow fresh air to flow freely and remove and insert easily the wine cooler as needed. **Warning! DO NOT SEAL BY SILICON OR ANY OTHER MANNER THE SIDE OF THE UNIT OTHERWISE THE GUARANTEE WILL BE VOID**



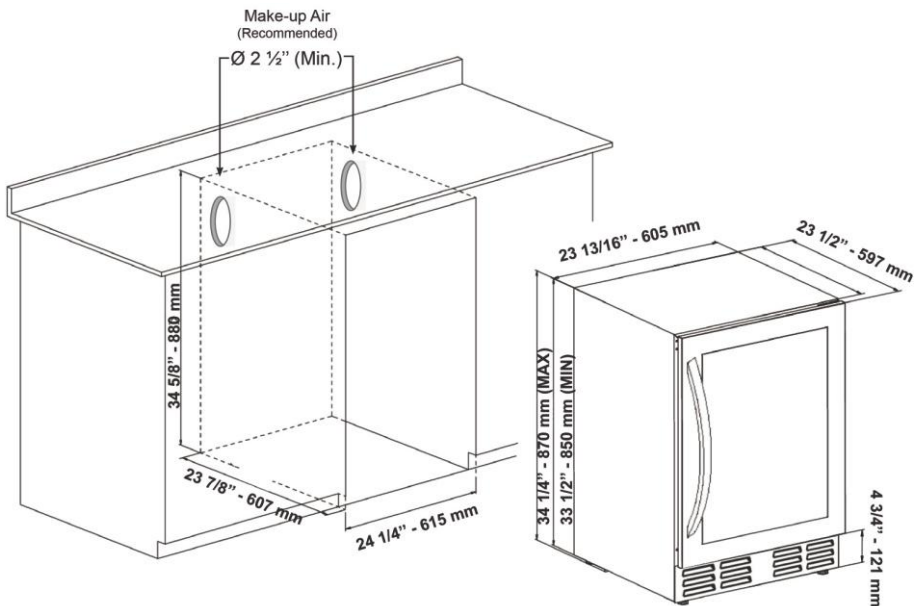
1. Please follow the installation diagram when installing built-in wine cellars. Use no less than the minimum installation dimension, or it will affect the venting of cellar.
2. Built in wine cellars have a power switch located on the control panel so power point location is not critical.
3. The wine cellar requires a standard 120 volt/15 amp dedicated power supply.
4. The power cord is approx. 6 ft./2M in length and is fixed on the right side at the back when looking from front of cabinet.

MBWC56-SS | MBWC56-BLS | MWC56-DSS | MWC56-DBLS Cutout & Dimensions



In "Hot and Humid locations", an air vent with a minimum ventilation size of 200mm x 40mm **MUST** be cut out on each side OR 2 circular shapes with a diameter of 65mm at the top of either side of the partitioning, allowing cool air to flow into the rear of the cabinet. This air vent must not be opened on the same side as other appliances, such as ovens, or an area that is sealed and without access to fresh cool air. **Failing to comply with the above specifications could result in WARRANTY BECOMING VOID.**

Please ensure you have a minimum of 3/16" clearance on each side of the unit. This space will allow fresh air to flow freely and remove and insert easily the wine cooler as needed. **Warning! DO NOT SEALED BY SILICON OR ANY OTHER MANNER THE SIDE OF THE UNIT OTHERWISE THE GUARANTEE WILL BE VOID.**



1. Please follow the installation diagram when installing built-in wine cellars. Use no less than the minimum installation dimension, or it will affect the venting of cellar .
2. Built-in wine cellars have a power switch located on the control panel so power point location is not critical.
3. The wine cellar requires a standard 120 volt/15 amp dedicated power supply.
4. The power cord is approx. 6 ft./2M in length and is fixed on the right side at the back when looking from front of cabinet.