

BUILT-IN, BOTTOM MOUNTED

Upgrade your kitchen with the perfect blend of style, functionality, and innovation. Introducing our 30" Panel Ready Refrigerator with Bottom Mount Freezer boasting an impressive 16 CuFt Capacity.

It is more than an appliance; it's a statement of modern living with large storage space, adjustable temperature and perfect preservation for your food. Elevate your kitchen with a seamlessly integrated appliance with Panel Ready Capabilities and unique 3D adjustment for perfect flush installation.



PLUS FEATURES



ARTICULATED HINGE - Elica's articulating hinges enable a true zero clearance built in installation, giving a luxury flush



QUIET OPERATION - A speed-control motor, reduces exterior sound levels, while offering high ventilation performance to keep the constant interior temperature and dampening any possible vibration that could disturb the preservation of the wine or beverages.



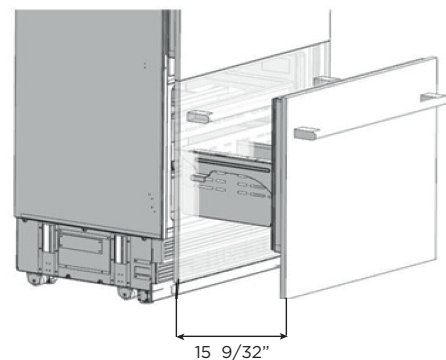
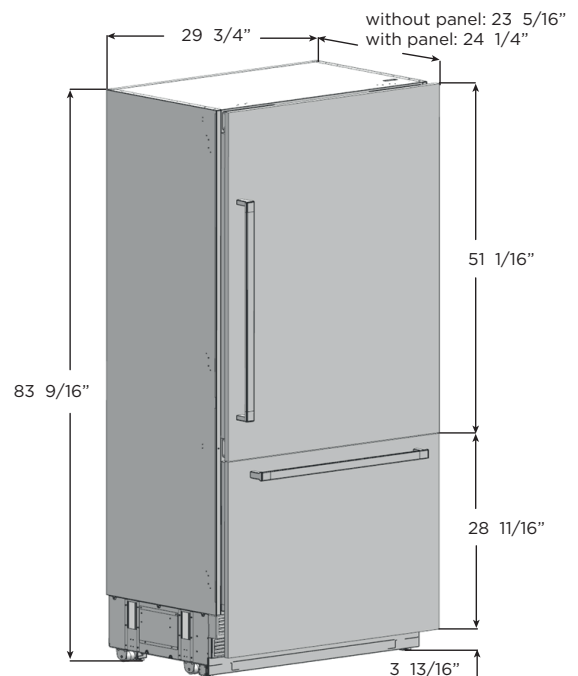
PANEL READY - Seamlessly integrate your undercounter drawer into your kitchen design by using custom panels that match your cabinetry. Elica's Panel Ready solution allows an easy and fast installation making it a perfect choice for those who values functionality and aesthetics.



ECO-MODE - Sustainable and environmentally friendly: Eco-Mode will maintain optimum interior temperature while saving energy consumption by turning the lights OFF.



SMART STORAGE - Design that optimize the interior space providing a flexible and customizable storage solution. With this feature, you can easily accommodate larger items and keep them secure, making it perfect for any modern kitchen.



GENERAL PROPERTIES		REFRIGERATION ZONE	
Width:	30" Unit	Fridge Capacity:	11.5 cuft
Model:	ER30SRB16IPR (Right Side Handle) ER30SRB16IPR-L (Left Side Handle)	Temperature range:	+35°F (2°C) to 46°F (8°C) Chiller drawer 30°F (-1°C) to 41°F(5°C)
Dimensions:	29 1/16" W x 24 1/4" D x 83 9/16" H	Shelving:	3 Height adjustable cantilever Spill-Proof Glass shelves
Cut Out Dimensions:	30" W x 25" D x 84" H	Drawers:	Humidity control Drawer + Chiller Adjustable Temp Drawer
Weight:	342 lbs	Door Storage:	3 Height adjustable Bins
Installation type:	Built-In, Bottom Mount	Water Dispenser:	Filtered Water (1.15 - 75 PSI water pressure)
Door Finish:	Panel ready/Stainless Steel Kit available	FREEZER ZONE	
Reversible Door:	Field Reversible	Fridge Capacity:	4.5 cuft
Interior Finish:	White plastic liner	Temperature range:	+5°F (-15°C) to -11°F (-24°C)
Hinge Design:	Articulating 90° opening flush hinge	Drawers:	1 Large Freezer drawer 1 Metal Freezer Drawer
Refrigerant type:	R600A	IceMaker:	Interior Automatic Icemaker (3.9 lbs/day with basket capacity 5 lbs)
Compressor:	Donper	OTHER FEATURES	
Total Capacity:	16 cuft	Sabbath & Holiday Mode	
Noise:	Ultra Quiet 43 db(A)	ECO Mode	
Lighting:	LED 6500K 300 lumens, 100 lumen for Freezer.	Soft close crisper & pantry drawers	
Controls:	Electronic Soft-Touch Digital Black Glass display	Ultra Quiet operation	
ELECTRIC DATA		True Flush Install - 3D door adjustment	
Electric:	115V/60 Hz & 220-240 V/ 50-60Hz	Cool Day LED interior light side walls & ceiling	
Plug Type:	NEMA 5-15 P plug	WARRANTY***	Two (2) Years Parts & In-Home Labor. Earn an additional One (1) Year of Parts & In-Home Labor by registering on elica.com
Power Cord Length:	7.5 feet		
Energy consumption:	551 kw/year		
KITS			
30" Stainless Steel Panel Kit:	EPNKB30SS		
Pro Handle Stainless Steel Kit:	EPHKBSS		
Tubular Handle Stainless Steel Kit:	ETHKBSS		



* The product images shown are for illustration purposes only and may not be an exact representation of the product..

*** For valid warranty extension, register within 3 months from purchase. For USA & Canada Users Only.