



FRIGIDAIRE

Factory Parts Catalog

Product No.	PCFG3080AFA
	Professional
Series	30" FCFS gas
Color	stainless
Market	North America
Owner's Guide	A26581801
Installation Instructions	809127209
Service Data Sheet	A27933401
Quick Start Guide	A20354810

Frigidaire

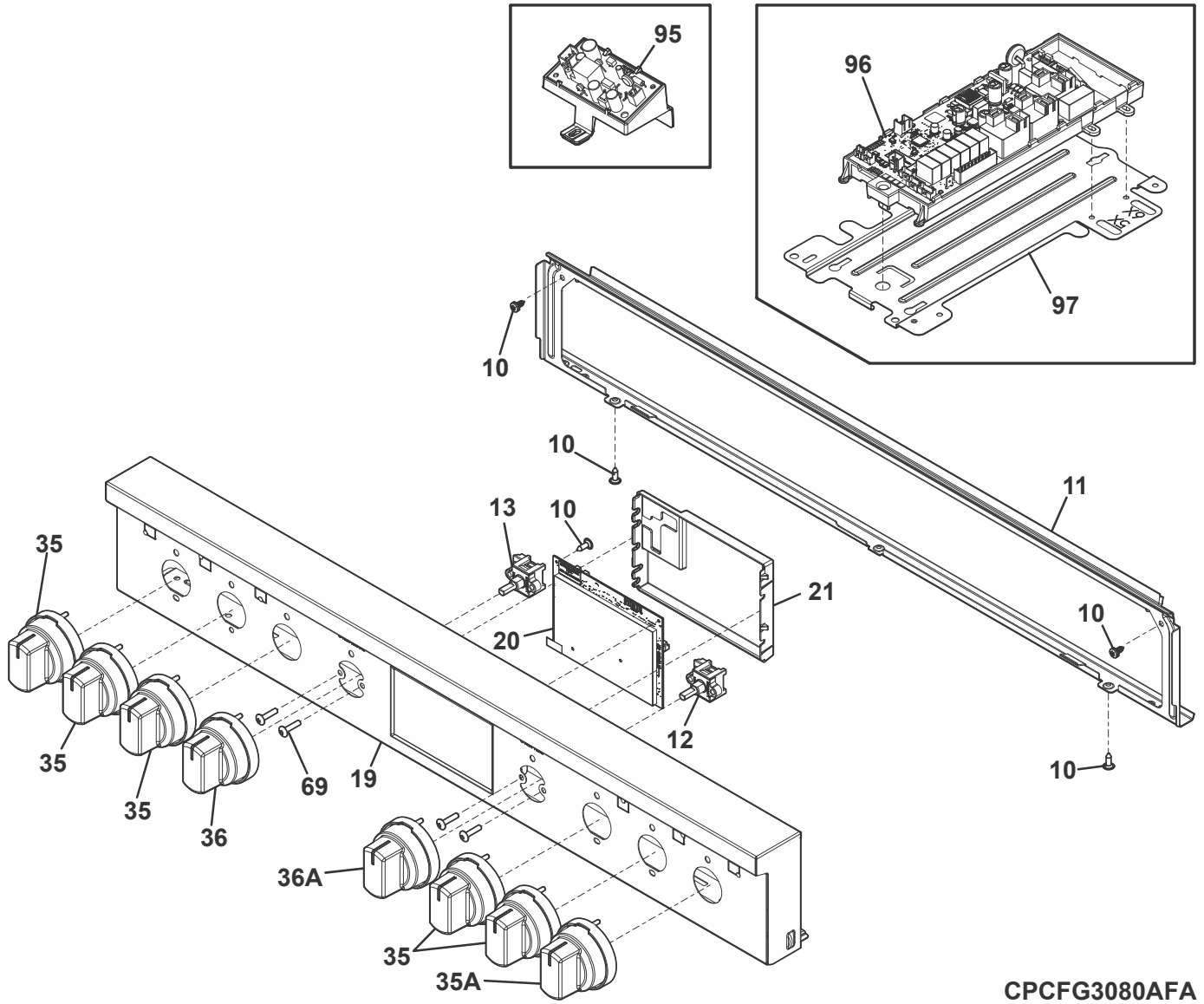
P.O. BOX 8020
CHARLOTTE, NC 28262

Publication No.
5995738290
24/01/26
(EN/SERVICE/ECL)
369

30-INCH FREE- STANDING GAS RANGE

Model No.
PCFG3080A

BACKGUARD



CPCFG3080AFA

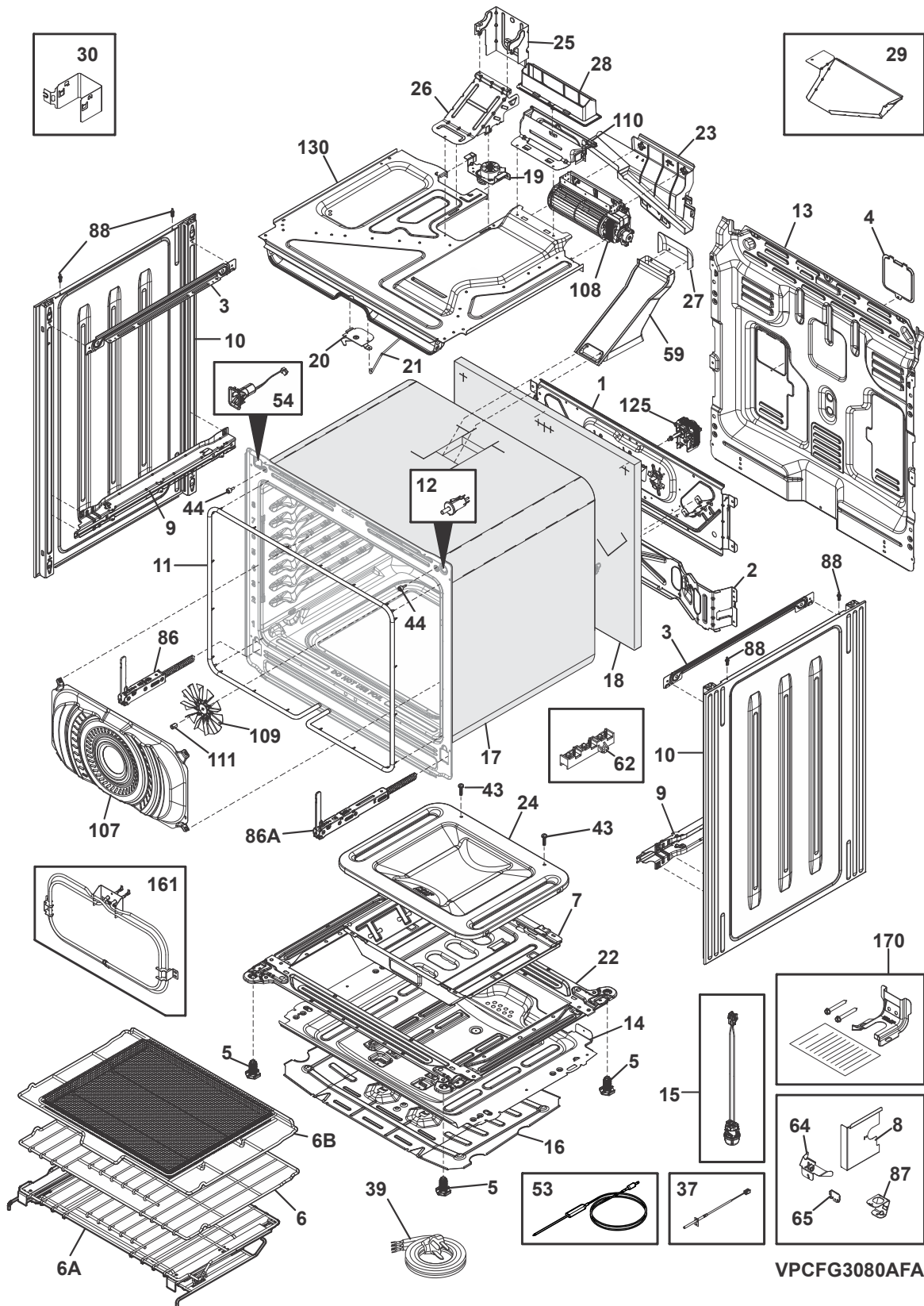
BACKGUARD

POS. NO	PART NO.	DESCRIPTION
10	5304526533	Screw, T15, 8-18 1/2, black
11	5304528295	Bracket, support, front control
12 #	808843109	Potentiometer, temp select, oven
13 #	808843110	Potentiometer, mode select, oven
16	5304528457	Panel, manifold, stainless
20 #	5304528460	Controller, oven, UI630G
21	5304536355	Cover, control
35	5304528450	Knob, top valve, stainless, single
35A	5304528447	Knob, top valve, stainless, dual
36	5304528448	Knob, oven selector, stainless
36A	5304528449	Knob, oven temp, stainless
69	5304528301	Screw, truss, 8-32 x 17.65
95 #	5304535286	Board Assembly, backlit
96 #	5304535108	PC Board, OVC relay
97	5304528373	Bracket, OVC board
97*	5304528293	Screw, T20, 8-18 x .79
* #	5304536516	Harness, backlit knob, oven controls
* #	5304528462	Harness, wiring, potentiometers
* #	5304535137	Harness, wiring, MACS panel, to UI board
*	5304526232	Screw, T-20 ST, 8-24 x 3/8

BURNER

POS. NO	PART NO.	DESCRIPTION
1 #	5304535099	Manifold, tube
2 #	5304507282	Valve, top burner, red stem, 1800BTU
2A #	5304506548	Valve, top burner, green stem, 850BTU
2B #	5304506547	Valve, top burner, black stem, 500BTU
2C #	5304535139	Valve, dual burner
3 #	5304536511	Harness Assembly, backlit, with switches
8 #	808608804	Spark Module
8*	5304526533	Screw, T15, 8-18 1/2, black
9 #	5304528071	Tube, connecting, manifold, to regulator
10	5304533594	Crown, burner, xtra large
10A	5304533593	Crown, burner, medium
10B	5304533592	Crown, burner, small
10C	5304535123	Burner, double, 18K, bottom
10D	5304535122	Burner, double, 18K, top
11 #	5304533611	Ignitor/Orifice Assembly, 18K, assembly
11A#	5304535105	Ignitor/orifice, assembly, 7.5K BTU
11B#	5304533582	Ignitor/orifice, assembly, 5K BTU, RH rear
11C#	5304535144	Ignitor/orifice, assembly, 18K BTU, dual burner
12 #	5304528538	Tube, burner, LH front
12A#	5304528539	Tube, burner, LH rear
12B#	5304528540	Tube, burner, center front
12C#	5304535143	Tube, burner, center rear
12D#	5304535140	Tube, burner, RH front, outer
12E#	5304535141	Tube, burner, RH front, inner
12F#	5304535142	Tube, burner, RH rear
13	354324404	Screw, T10 washer, M2.9 x 13
14 #	5304498819	Regulator, pressure
14*	349098702	Screw, T-20 trilobe, M4 x 7.5, regulator
15	5304533597	Cap, burner, xtra large
15A	5304533596	Cap, burner, medium
15B	5304533595	Cap, burner, small
16 #	5304528076	Burner Assembly, broil
16*	5304514202	Nut, lock, M4 x .70, thermostat
17 #	5304534971	Valve, safety, dual
18 #	5304533840	Burner, bake
19 #	5304534663	Ignitor, bake/broil
20	5304534662	Baffle, bake burner
21	5304533911	Shield, bake bracket
22	5304534666	Bracket, bake orifice
23	5304534683	Bracket, tubing
24	5304534687	Bracket, harness
24*	316001003	Screw, ground wire
25 #	5304526247	Tube, supply, regulator to, safety
26 #	5304534673	Tube, supply, regulator to, manifold
27 #	5304533910	Tube Assembly, bake
28	5304534684	Screw, tube bracket
29 #	5304533929	Tube Assembly, broil
30	5304528281	Baffle, broil burner
31	5304528108	Bracket, broil mixer
31*	387872717	Screw, M4, 2 x 10, black, w/washer
72	316215601	Screw, valve mtg., 1/4 - 20, T-20
* #	GRLP5	LP Conversion Kit, w/instructions
*	387854510	Screw, DIN 7981, 4, 2 x 9, 5, (9)
*	387856311	Screw, 4.2 x 10
*	5304528293	Screw, T20, 8-18 x .79

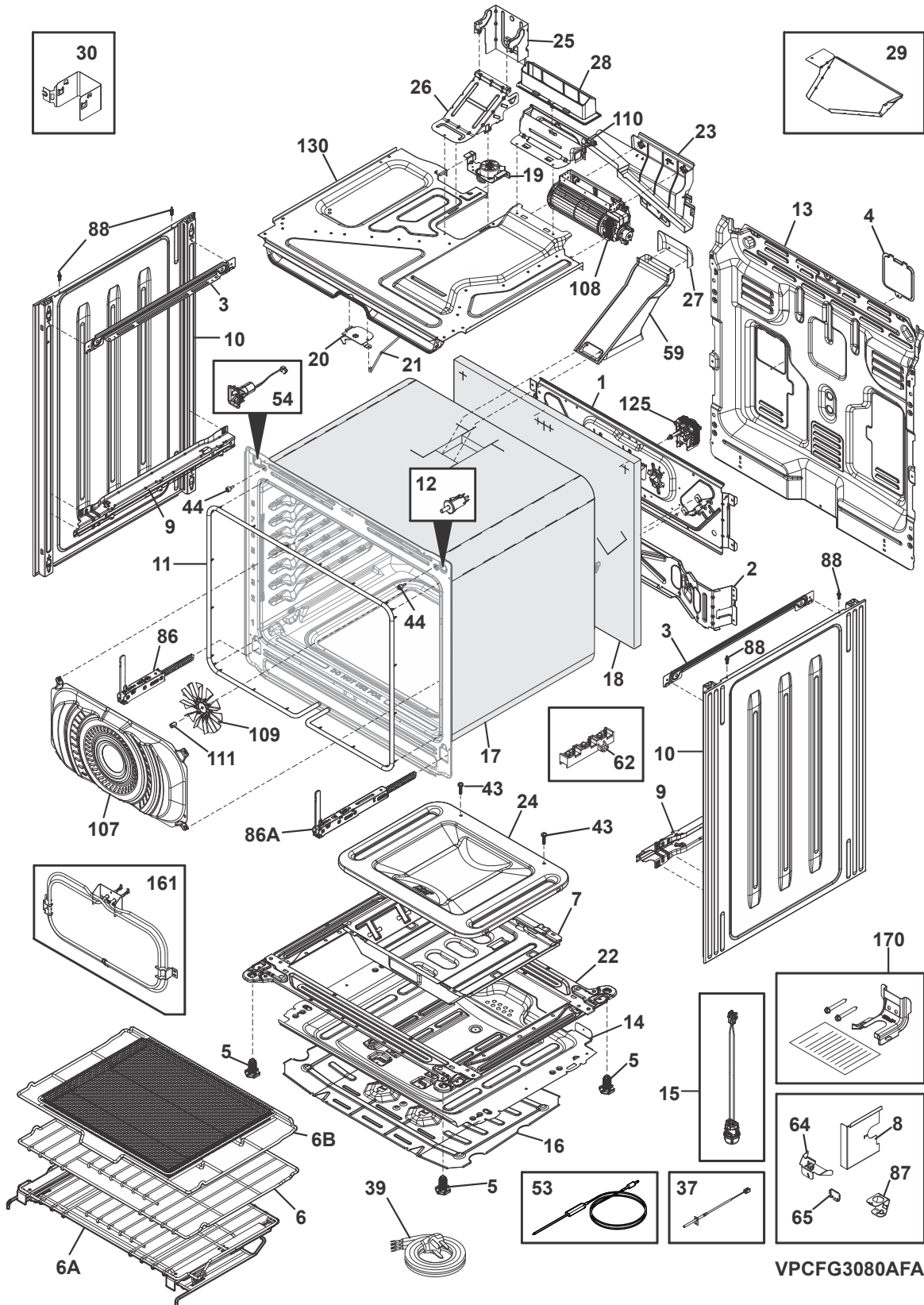
BODY



BODY

POS. NO	PART NO.	DESCRIPTION
1	5304533416	Bracket, rear components, upper
2	5304533425	Bracket, components, lower
3	5304526493	Bracket, side panel, cooling
4	5304528328	Cover, wiring
5	316272900	Screw, leveling, plastic, rear, (2)
6	5304536326	Rack, oven, w/handle
6A	5304530447	Rack Assembly, glide
6B	FRIGPEREAFT	FRIG AIR FRY TRAY PEREGRINE
7	5304534661	Box, burner, bake
8	5304533923	Cover, terminal block
9	5304528546	Receptacle, hinge carrier
10	5304526334	Panel, body side, black
11	5304528053	Seal, door
12 #	318394802	Switch, light, door
13	5304536325	Shield, rear wire, small
13*	5304533495	Screw, SD hex washer, 4.2 x 12.7
14	5304533859	Shield, insulation, lower
15 #	5304533411	Lamp Assembly, oven, G9 40W, halogen
16	5304533453	Shield, drawer storage, full
17	5304528189	Insulation, wrapper, oven
18	5304528190	Insulation, oven, back
19 #	5304528260	Motor, latch, w/bracket
20	5304528257	Latch Assembly
21	5304528258	Rod, door latch
22	5304533415	Base Rail, assembly
23	5304536515	Guard, blower
24	5304535291	Bottom, oven, midnight black
25	5304534668	Shield, heat, rear
26	5304534669	Shield, heat, front
27	5304536513	Cover, flue
28	5304528430	Diverter, exhaust
29	5304534685	Shield, diverter
30	5304528182	Shield, broil, rear
37 #	5304533901	Probe, oven sensor
37*	5304533896	Bracket, oven probe
37*	5304526234	Screw, M4, 2 x 10, sheet metal, black
39 #	5304534691	Cord, power
43	3131732	Screw, 8-18 x 1.438, oven bottom
44	316517600	Bumper, front, main
53 #	807822606	Probe, food, red
54 #	339662625	Receptacle, meat probe
59	5304534664	Flue, assembly
62 #	5303935271	Terminal Block Kit
62*	316001003	Screw, ground wire
62*	316205500	Nut, hex flange, 3/8 10-32
64	5304528551	Shield, terminal block
65	5304533926	Clip, power cord
86	5304528100	Hinge, oven door, white, single spring
86A	5304528101	Hinge, oven door, white, dual spring
86*	5304526532	Screw, M4.2 x 9.5, black
87	5304533922	Bracket, power cord

BODY

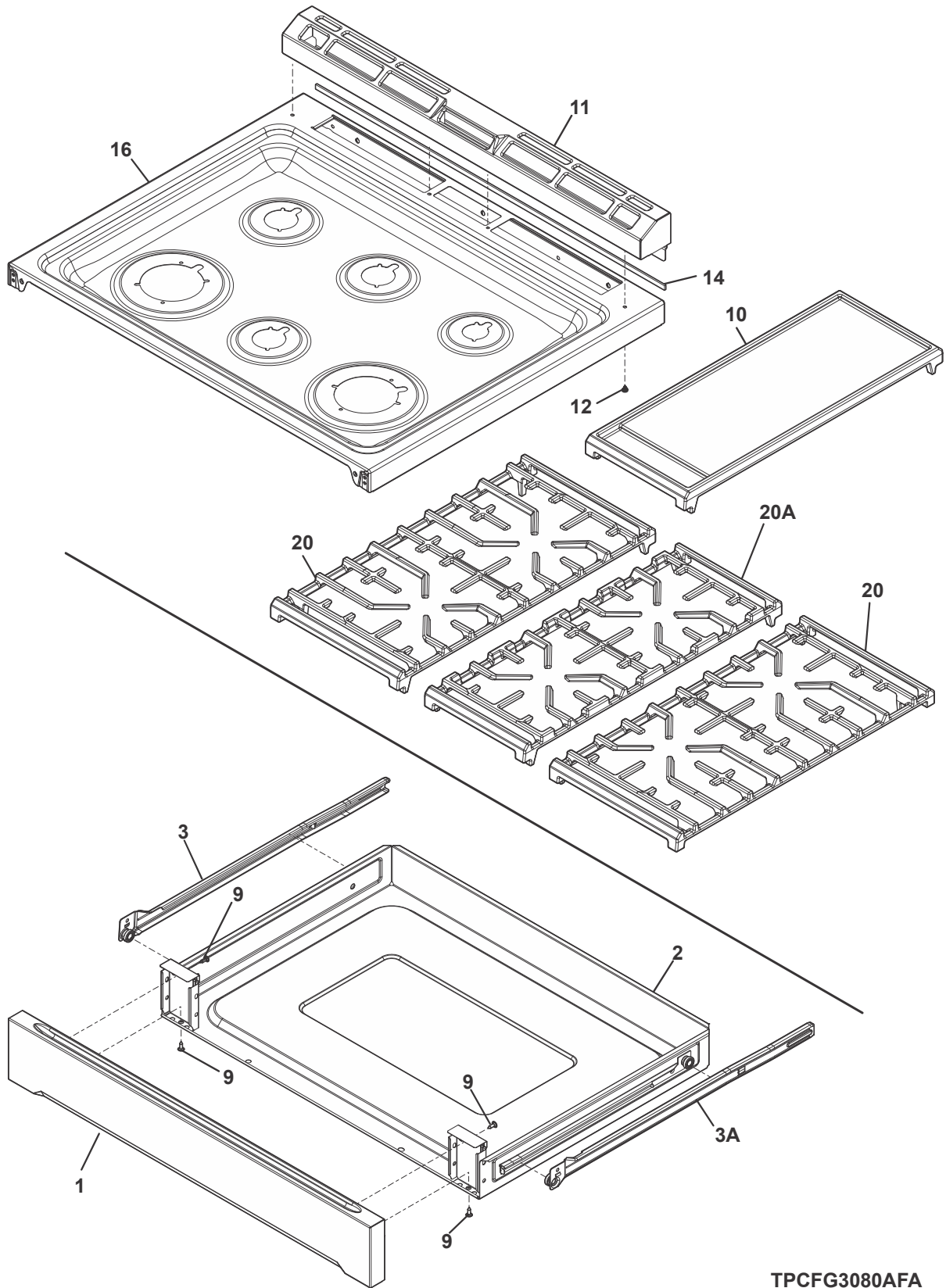


VPCFG3080AFA

BODY

POS. NO	PART NO.	DESCRIPTION
88	316099501	Pin, guide
107	5304526365	Cover, fan, midnight black, convection
108#	5304528167	Blower Assembly
109	5304525455	Blade, fan, convection
110	5304528419	Duct Assembly, exhaust, cooling
111	561231207	Nut, fan blade
125#	5304528165	Motor, convection fan
130	5304534670	Duct Assembly, cooling
161#	5304528164	Element, convection, 1000W
161*	387856311	Screw, 4.2 x 10
170	316112010	Anti Tip Kit, assy, 30", w/template
* #	5304535287	Harness, wiring, main
* #	5304535285	Harness, wiring, low voltage
*	5304536410	Standoff, harness clamp
*	387854510	Screw, DIN 7981, 4, 2 x 9, 5, (9)
*	387872717	Screw, M4, 2 x 10, black, w/washer
*	5304526232	Screw, T-20 ST, 8-24 x 3/8
*	5304526533	Screw, T15, 8-18 1/2, black
*	5304533471	Screw, T20, 4.4 x 13
*	5304533472	Screw, T20 washer, 4.5 x 14.5
*	5304534695	Screw, self drill, M3.5 x 9.5

TOP/DRAWER

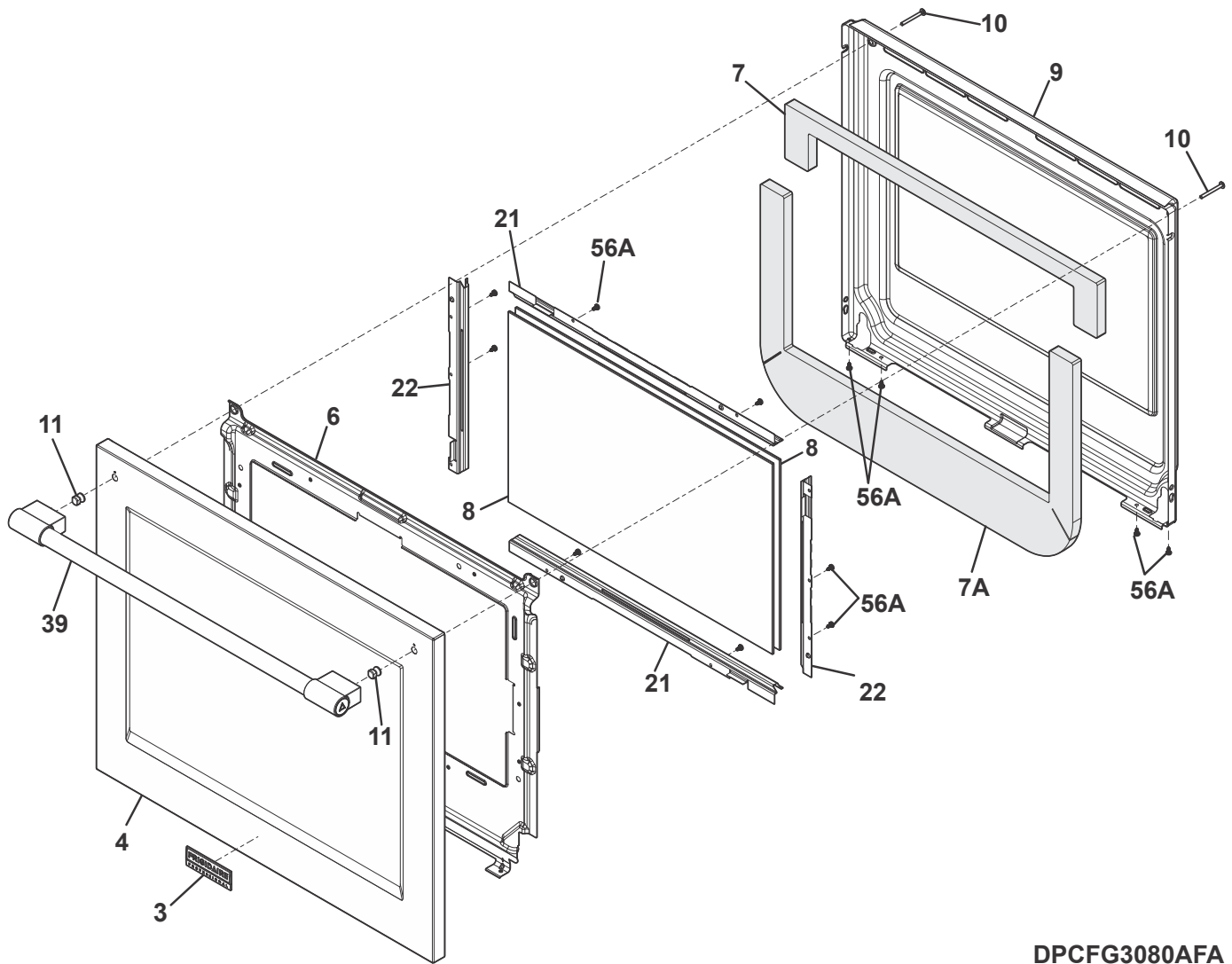


TPCFG3080AFA

TOP/DRAWER

POS. NO	PART NO.	DESCRIPTION
1	5304528420	Panel, drawer, stainless
2	5304528242	Drawer Assembly, w/glides
3	5304526306	Glide, drawer, black, LH outer
3A	5304526307	Glide, drawer, black, RH outer
*	316089500	Screw, 10-16 x .486
9	5304526533	Screw, T15, 8-18 1/2, black
10	5304536512	Griddle, black
11	5304528496	Trim, vent, stainless, rear
12	5304533410	Screw, M4.2x7x1.06, black
14	5304535138	Seal, maintop
16	5304528381	Maintop, assembly, stainless
20	5304536584	Grate, side, black
20A	5304536585	Grate, center, black

DOOR

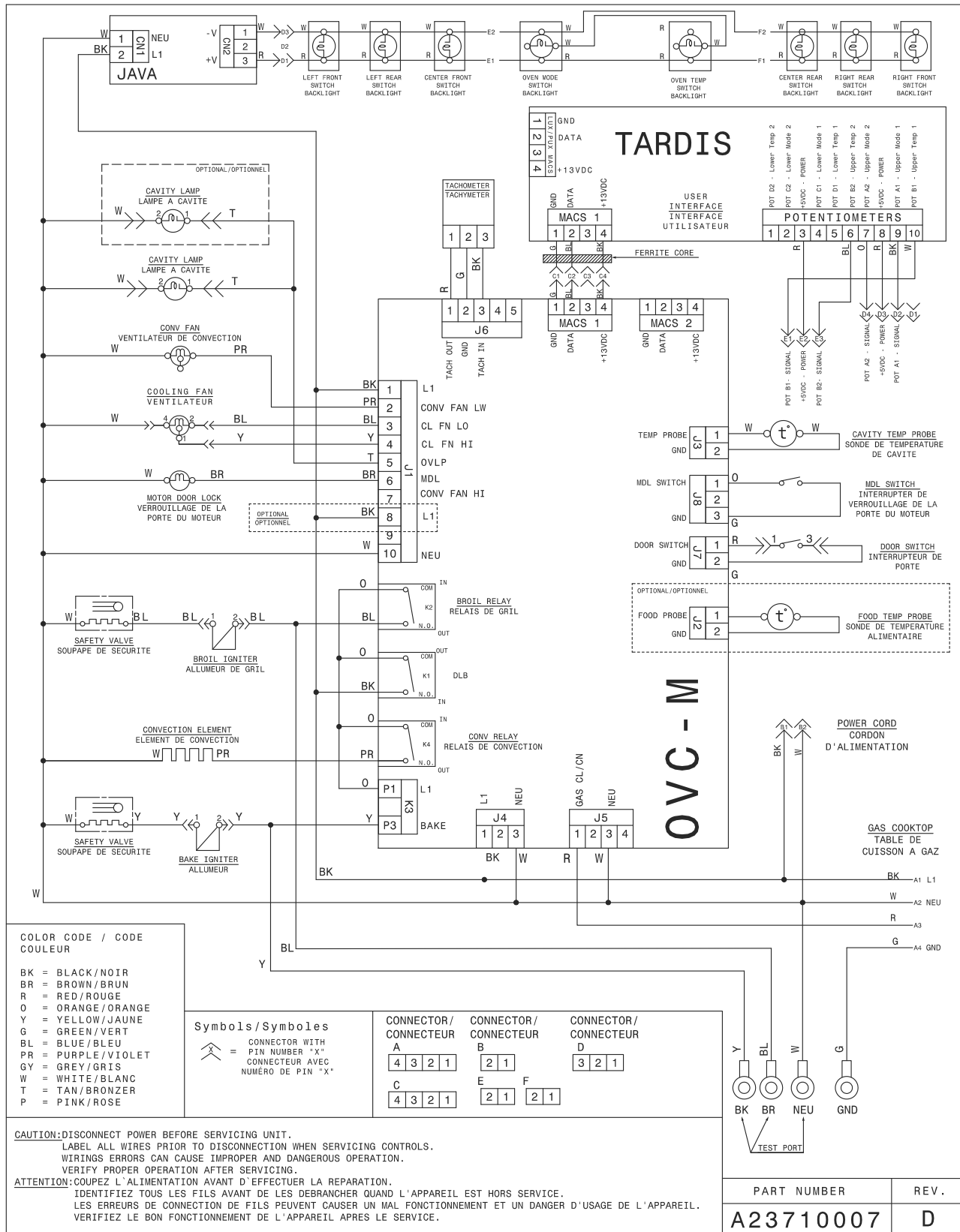


DPCFG3080AFA

DOOR

POS. NO	PART NO.	DESCRIPTION
3	809108704	Badge, Frigidaire Pro
4	5304528495	Door Assembly, outer, steel/glass, stainless
6	5304528106	Shield, wool
7	5304526656	Insulation, door, top
7A	5304528502	Insulation, door, bottom
8	5304526387	Glass, door, SHR, inner, 2 side coating
9	5304528160	Liner, oven door, midnight black
10	316433305	Screw, trus T20, 10-44 x 1.870, black, handle mtg.
11	5304494420	Nut, hour glass, handle mtg.
21	5304526285	Bracket, glass pack, horizontal
22	5304526284	Bracket, glass pack, verticle
39	5304536352	Handle Assembly, stainless
56A	5304526232	Screw, T-20 ST, 8-24 x 3/8
*	316483102	Label, anti-tip

WIRING DIAGRAM



WIRING DIAGRAM

