



# FRIGIDAIRE

## Factory Parts Catalog

<b>Product No.</b>	<b>GMOS196CAFA</b>
<b>Series</b>	Gallery
<b>Market</b>	Canada
<b>Color</b>	stainless
<b>Volts</b>	120V
<b>Watts</b>	1375W
<b>Wiring Diagram</b>	A06823441
<b>Owner's Guide</b>	A06823443
<b>Installation Instructions</b>	A06823444

### **Frigidaire**

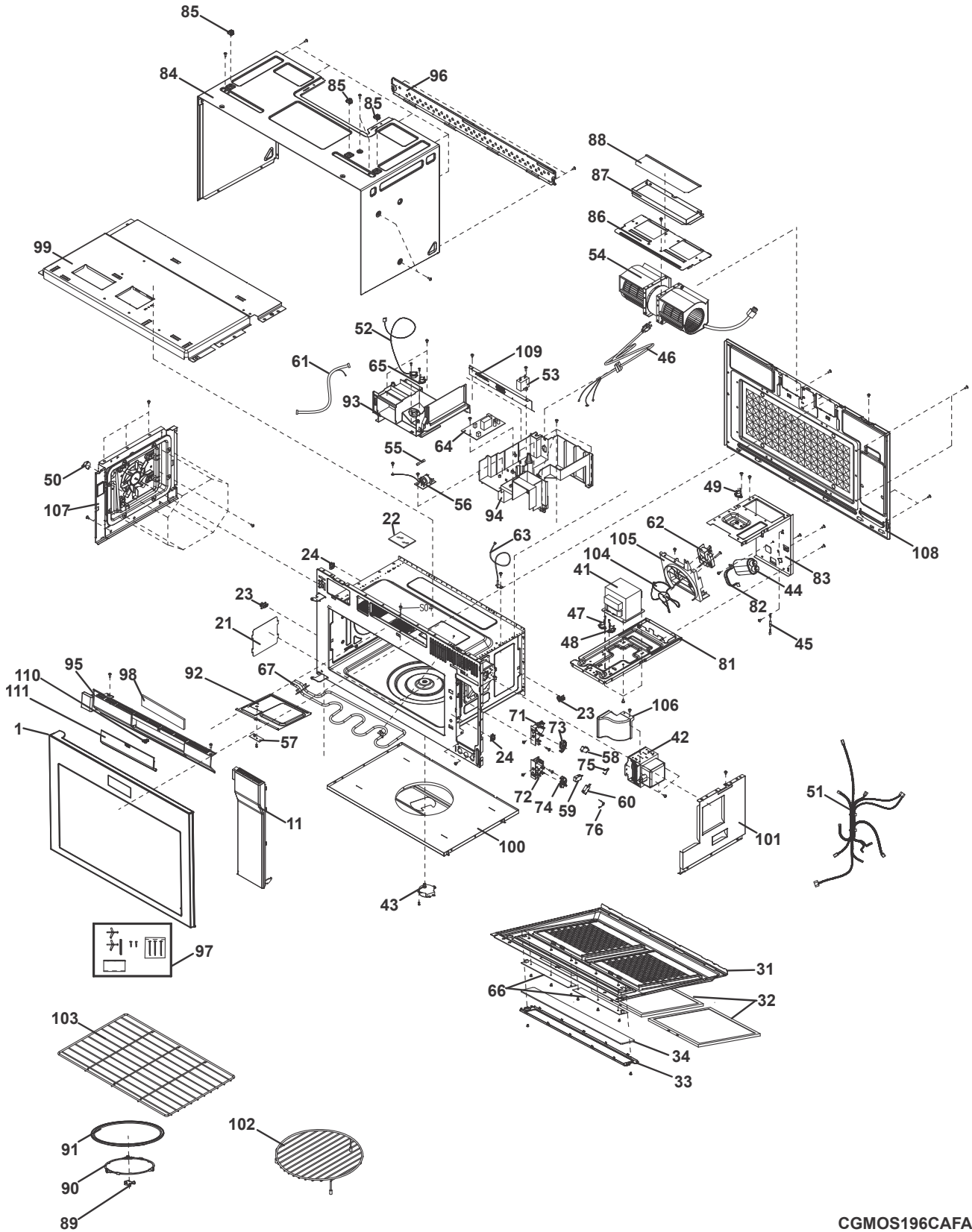
5855 TERRY FOX WAY  
MISSISSAUGA, ONTARIO, CANADA L5V 3E4

Publication No.  
**5995734737**  
23/06/01  
(EN/SERVICE/ECL)  
099

**1.9 CU. FT.  
OVER-RANGE  
MICROWAVE**

Model No.  
**GMOS196CA**

# OVEN, CABINET

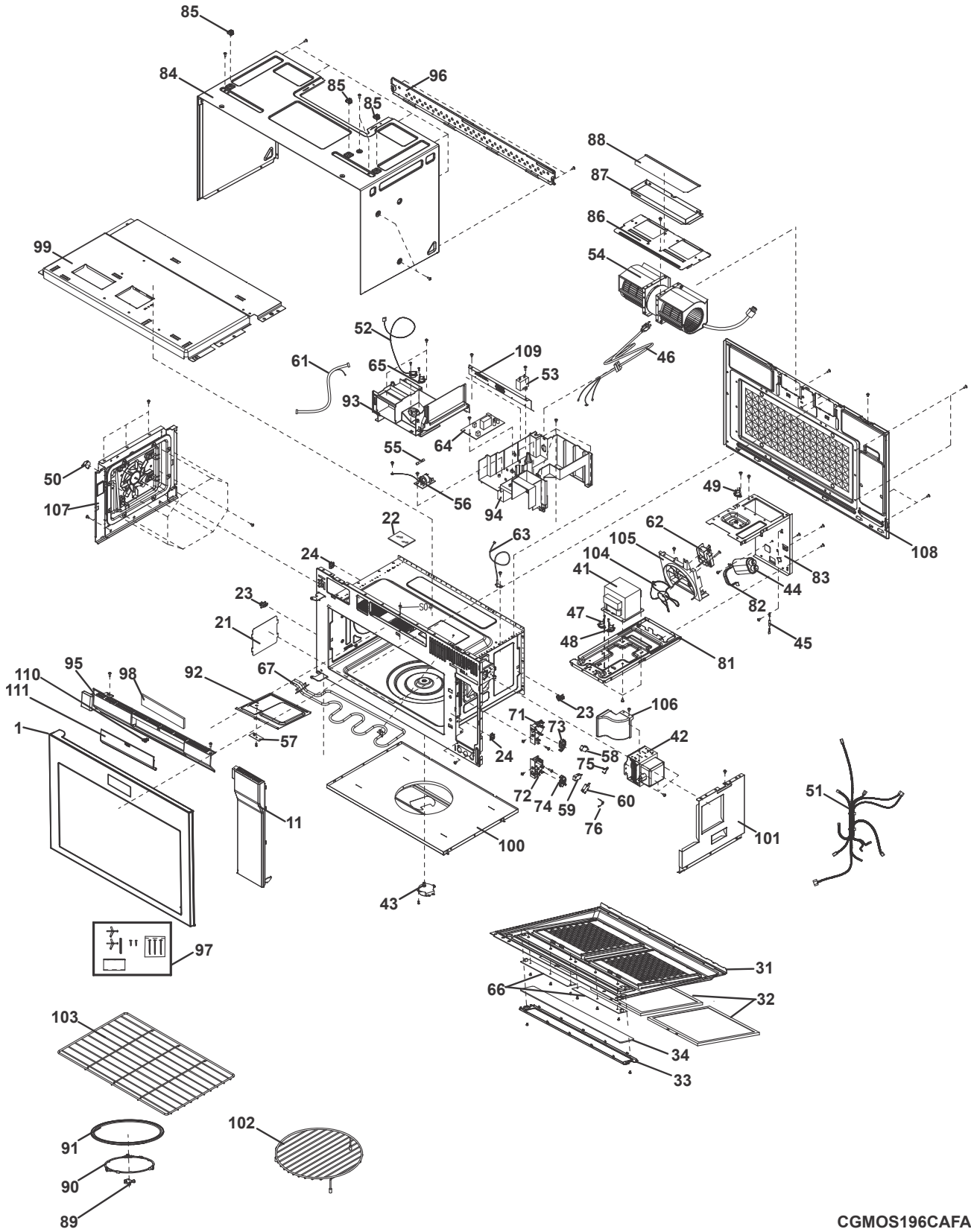


CGMOS196CAFA

**OVEN, CABINET**

POS. NO	PART NO.	DESCRIPTION
1 #	5304534697	Door Assembly, complete, stainless
11 #	5304534700	Control Panel, assembly, complete
21	5304523276	Cover, wave guide
22	5304534632	Lens, cavity lamp
23	5304514287	Support, shelf, RHF/LHR
24	5304514283	Support, shelf, LHF/RHR
31	5304534633	Base Plate
32	5304513468	Filter, grease
33	5304534634	Bracket, lamp glass
34	5304534635	Glass, lamp
41 #	5304513457	Transformer, high voltage
42 #	5304521576	Magnetron, high voltage
43 #	5304513471	Motor, turntable
44 #	5304518895	Capacitor, high voltage
45 #	5304513459	Diode, high voltage
46 #	5304512501	Power Cord, electric
47 #	5304513462	Thermostat, 120/0 *V
48 #	5304513463	Thermostat, 70/40 *V
49 #	5304513461	Thermostat, 160/95 *V
50 #	5304515313	Thermostat, 160/95
51 #	5304534636	Harness, wiring, main
52 #	5304509652	Sensor, humidity
53 #	5304512525	Capacitor, start
54 #	5304513464	Fan Assembly, venting, w/motor
55 #	5304517874	Fuse, noise filter
56 #	5304525109	Filter, noise, electronic
57 #	5304517872	Lamp, LED
58 #	5304509460	Switch, interlock, primary
59 #	5304509459	Switch, monitor
60 #	5304515182	Switch, interlock, secondary
61 #	5304504073	Wire, connector, PC board
62 #	5304513476	Motor, fan
63 #	5304527859	Thermistor
64 #	5304527860	PC Board, DC motor
65 #	5304534637	Thermostat, safety, 180/145 volt
66 #	5304534638	Lamp, LED
67 #	5304534703	Element, heating
71	5304523259	Bracket, interlock, upper
72	5304523260	Bracket, interlock, lower
73	5304523261	Lever, interlock, upper
74	5304523262	Lever, interlock, lower
75	5304523264	Spring, interlock, lower
76	5304523263	Spring, interlock, upper
81	5304513460	Plate, HV transformer, mounting
82	5304513482	Holder, HV Capacitor
83	5304513479	Duct, air guide, back
84	5304527861	Wrapper, outer
85	5304509436	Mounting Nut Kit
86	5304513481	Cover, vent motor
87	5304509485	Adapter, exhaust, damper frame
88	5304509486	Damper, door, exhaust adapter

# OVEN, CABINET

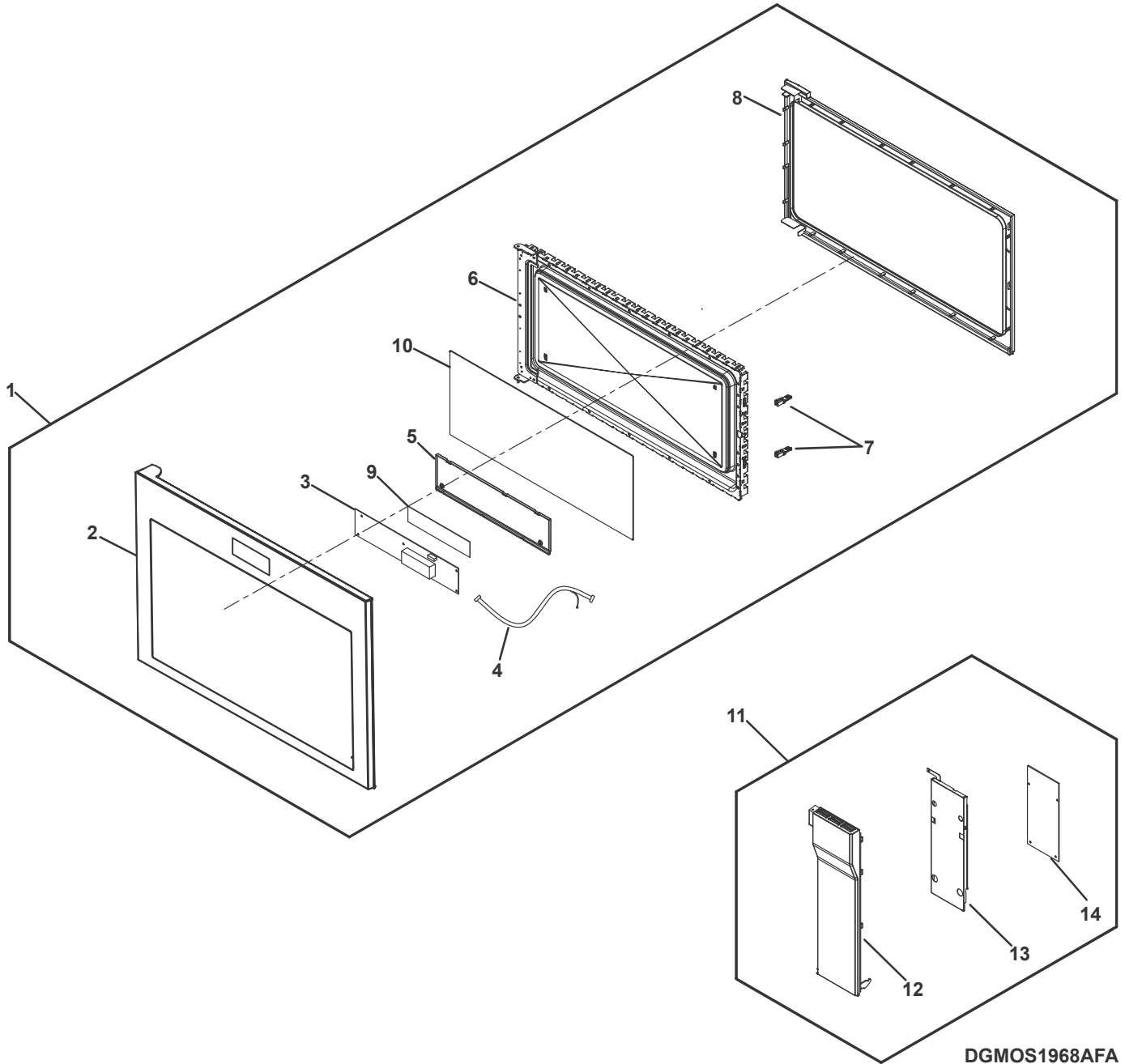


CGMOS196CAFA

**OVEN, CABINET**

POS. NO	PART NO.	DESCRIPTION
89	5304534640	Coupler, turntable
90	5304509438	Support, turntable ring
91	5304513473	Tray, turn table, glass
92	5304534641	Cover, lamp, cavity
93	5304534642	Air duct, LH
94	5304534643	Air duct, RH
95	5304534644	Grill, vent
96	5304509487	Plate, wall mounting, rear
97	5304513469	Mounting Kit, w/templates
98 #	5304464577	Filter, charcoal, 2" X 10"
99	5304534645	Insulation Assembly, upper
100	5304527883	Insulation, assembly, lower
101	5304527884	Insulation, assembly, RH
102	5304523266	Rack, round, wire
103	5304527865	Rack, oven shelf
104#	5304509473	Fan Blade, cooling fan
105	5304513475	Guide, fan
106	5304527866	Deflector, wind guide, magnetron
107#	5304534704	Convection, assembly
108	5304527867	Panel, back plate
109	5304513484	Shield, air
110	5304533650	Catch, vent door
111	5304534647	Cover, charcoal filter

**CONTROL PANEL, DOOR**



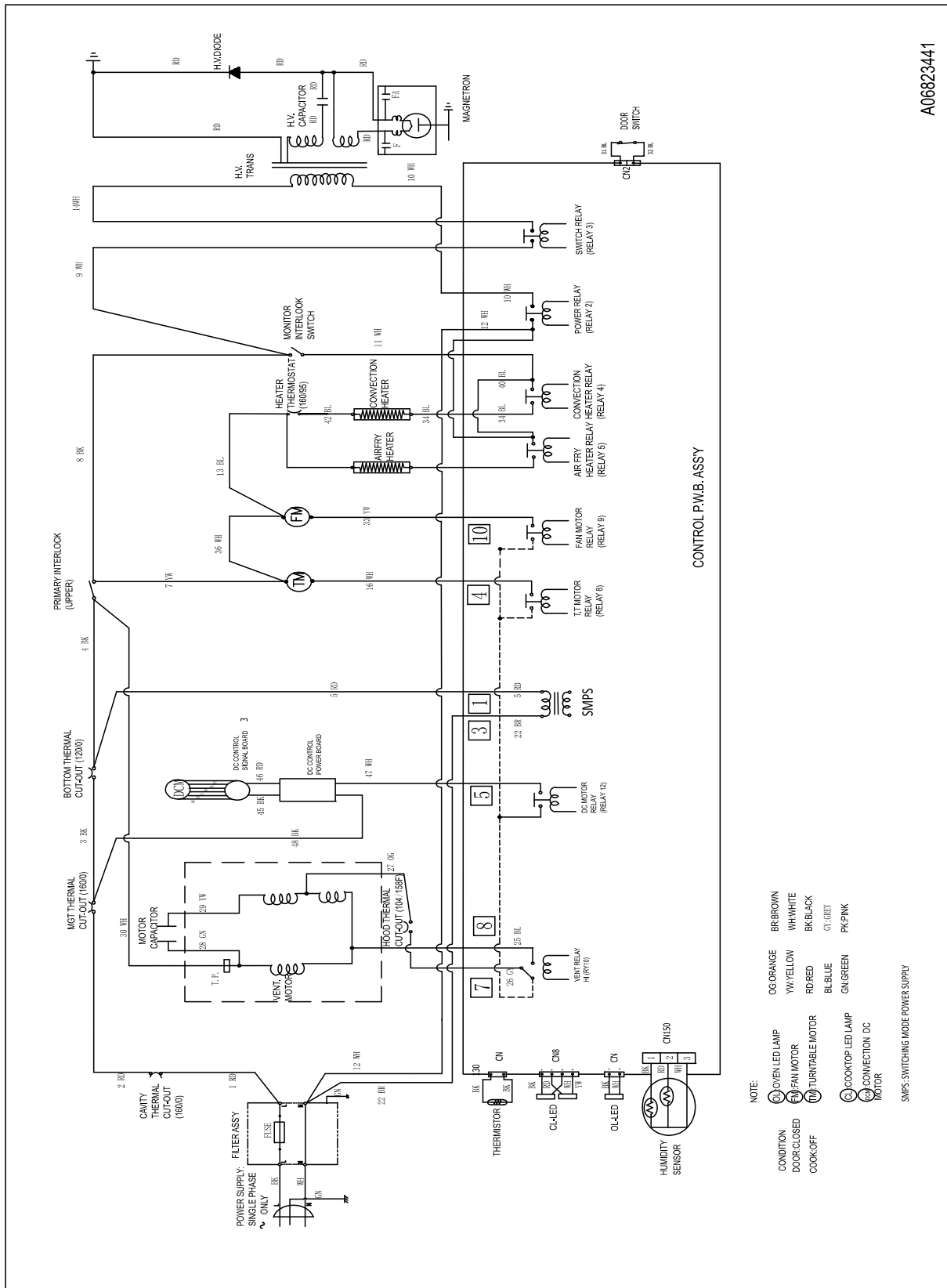
DGMOS1968AFA

**CONTROL PANEL, DOOR**

---

<b>POS. NO</b>	<b>PART NO.</b>	<b>DESCRIPTION</b>
1 #	5304534697	Door Assembly, complete, stainless
2	5304534698	Door Assembly, outer, stainless, w/badge
3 #	5304534699	PC Board, display, control
4 #	5304534626	Harness, connector, door
5	5304523246	Cover, display board
6	5304527853	Frame Assembly, door
7	5304523249	Latch, door
8	5304527854	Gasket, door
9	5304534627	Insulation, control, door
10	5304534628	Glass, insulating, door
11 #	5304534700	Control Panel, assembly, complete
12	5304534701	Control Panel
13	5304527857	Shield, control panel
14 #	5304534702	PC Board, power, control

WIRING DIAGRAM



A06823441

- NOTE:
- OVEN LED LAMP
  - OVEN LED LAMP
  - FAN MOTOR
  - TURNABLE MOTOR
  - COOKTOP LED LAMP
  - CONVECTION DC MOTOR
  - SMPS SWITCHING MODE POWER SUPPLY
- |           |          |
|-----------|----------|
| OG ORANGE | BR BROWN |
| YW YELLOW | WH WHITE |
| RD RED    | BK BLACK |
| BL BLUE   | GY GREY  |
| GN GREEN  | PK PINK  |