



BOSCH

Register your
appliance and join
the Bosch
family of perks:
[bosch-home.com/us/
mybosch](https://bosch-home.com/us/mybosch)



Tumble dryer

WQB245AXUC

[en-us] User manual and installation
instructions

Further information and explanations are available online:



Table of contents

1 Safety	4	11.5 Loading laundry.....	20
1.1 Safety definitions.....	4	11.6 Starting the program.....	20
1.2 General information.....	4	11.7 Adding laundry	20
1.3 Intended use	4	11.8 Terminating the program	21
1.4 Restrictive Use.....	4	11.9 Removing the laundry	21
1.5 Grounding instructions	4	11.10 Put the appliance into standby mode.....	21
1.6 Safe installation.....	4	11.11 Lint screen.....	21
1.7 Safe use.....	5	11.12 Condensation container	22
1.8 Safe cleaning and maintenance	7	12 Dryness level	23
1.9 State of California Proposition 65 Warnings	7	12.1 Changing the dryness level	23
2 Preventing material damage	8	12.2 Adjusting the dryness level.....	23
3 Environmental protection and energy-saving	8	13 Control panel lock	23
3.1 Disposal of packaging	8	13.1 Activating the control panel lock	23
3.2 Saving energy	8	13.2 Deactivating the control panel lock.....	23
3.3 Energy-saving mode	8	14 Crease-removal function	23
4 Installation and connection	8	14.1 Starting a program with the crease-removal function	23
4.1 Unpacking the appliance	8	14.2 Filling the water tank	23
4.2 Included in delivery	9	15 Home Connect®	24
4.3 Requirements for the installation location.....	9	15.1 Setting up Home Connect®.....	24
4.4 Installation types	9	15.2 Deactivating Wi-Fi on the appliance	24
4.5 Water outlet hose.....	10	15.3 Activating Wi-Fi on the appliance	24
4.6 Connecting the condensation container	11	15.4 Installing a software update	24
4.7 Aligning the appliance	12	15.5 Resetting the appliance network settings	25
4.8 Reversing the door.....	12	15.6 Remote start.....	25
4.9 Connecting the appliance to the electricity supply ...	12	15.7 Intelligent program recommendation	25
5 Familiarizing yourself with your appliance	13	15.8 Remote Diagnostics	25
5.1 Appliance	13	15.9 Data Protection	25
5.2 Control panel.....	14	16 Basic settings	25
5.3 Operating logic.....	14	16.1 Overview of the basic settings.....	25
6 Display	15	16.2 Changing the basic settings	26
7 Buttons	16	17 Appliance care	26
8 Programs	16	17.1 Preparing for the appliance care program	26
8.1 Automatic programs	17	17.2 Running the basic appliance care program	26
8.2 Timed programs.....	17	17.3 Running the intensive appliance care program.....	27
9 Accessories	19	18 Cleaning and maintenance	27
10 Laundry	19	18.1 Moisture sensor.....	27
10.1 Preparing the laundry	19	18.2 Condensation container filter.....	28
11 Basic Operation	19	19 Troubleshooting	29
11.1 Switching on the appliance.....	19	20 Transportation, storage and disposal	31
11.2 Setting a program	19	20.1 Disposal of your old appliance.....	31
11.3 Saving the program settings.....	20		
11.4 Opening the door	20		

21 Customer Service	31
21.1 Model number (E-Nr.), production number (FD) and consecutive numbering (Z-Nr.)	32
22 Technical specifications.....	32
22.1 Information regarding Free and Open Source Software.....	32



IMPORTANT SAFETY INSTRUCTIONS

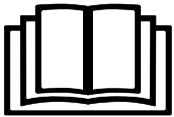
READ AND SAVE THESE INSTRUCTIONS

Read all of the instructions carefully before using the appliance. In order to reduce the risk of fire, electric shocks and personal injuries when using the appliance, follow the basic safety precautions, including the following safety instructions.

1.1 Safety definitions

Here you can find explanations of the safety signal words used in this manual.

1.2 General information



- Read this manual carefully.
- Keep the manual and the product information in a safe place for future reference or for the next owner.
- Do not connect the appliance if it has been damaged in transit.

1.3 Intended use

Only a licensed professional may connect appliances without plugs. The manufacturer is not responsible for damage caused by incorrect connections. An incorrect connection is not covered by the Statement of Limited Product Warranty.

Only use this appliance:

- For drying and freshening up fabrics that are washed with water and suitable for dryers.
- for normal household use and in enclosed spaces in a residential environment.
- Up to an altitude of 13,100 ft (4000 m) above sea level.

1.4 Restrictive Use

This appliance is not intended for use by persons (including children) with reduced physical, sensory or mental capabilities, or lack of experience and knowledge, unless they have been given supervision or instruction concerning use of the appliance by a person responsible for their safety.

Do not let children play with the appliance.

WARNING

This indicates that death or serious injuries may occur as a result of non-observance of this warning.

CAUTION

This indicates that minor or moderate injuries may occur as a result of non-observance of this warning.

NOTICE:

This indicates that damage to the appliance or property may occur as a result of non-compliance with this advisory.

Note: This alerts you to important information and/or tips.

Cleaning and user maintenance must not be performed by children unless they are being supervised.

Keep children under the age of 3 and pets away from the appliance.

1.5 Grounding instructions

This appliance must be grounded. In the event of malfunction or breakdown, grounding will reduce the risk of electric shock by providing a path of least resistance for electric current. This appliance is equipped with a cord having an equipment-grounding conductor. Installation, electrical connections and grounding must comply with all applicable codes.

WARNING

Improper connection of the equipment-grounding conductor can result in a risk of electric shock.

- ▶ Check with a qualified electrician or authorized service representative if you are in doubt whether the appliance is properly grounded.

1.6 Safe installation

WARNING

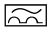
To avoid risk of injury from incorrect installations, observe the following.

- ▶ Ensure all installation instructions are followed before use.
- ▶ Connect and operate the appliance only in accordance with the specifications on the rating plate.



IMPORTANT SAFETY INSTRUCTIONS

READ AND SAVE THESE INSTRUCTIONS

- ▶ Connect the appliance to a power supply with alternating current only via a correctly installed socket outlet with grounding.
 - ▶ The protective conductor system of the domestic electrical installation must be properly installed. The installation must have a sufficiently large cable cross-section.
 - ▶ When using a residual current circuit breaker, only use a type with the  mark.
 - ▶ Never equip the appliance with an external switching device, e.g. a timer or remote control.
 - ▶ Never connect the appliance to a circuit that is regularly switched on and off by the energy supplier.
 - ▶ When the appliance is installed, the mains plug of the power cord must be freely accessible. If free access is not possible, an isolating switch must be integrated into the permanent electrical installation according to the installation regulations.
 - ▶ When installing the appliance, check that the power cord is not trapped or damaged.
- To avoid risk of injury from damaged insulation of the power cord, observe the following.
- ▶ Never let the power cord come into contact with hot appliance parts or heat sources.
 - ▶ Never let the power cord come into contact with sharp points or edges.
 - ▶ Never kink, crush or modify the power cord.

WARNING

To avoid risk of injury from an extended power cord and non-approved adapters, observe the following.

- ▶ Do not use extension cords or multiple socket strips.
- ▶ Only use adapters and power cords approved by the manufacturer.
- ▶ If the power cord is too short and a longer one is not available, please contact an electrician to have the domestic installation adapted.

WARNING

The heavy weight of the appliance may result in injury when lifted.

- ▶ Do not lift the appliance on your own.

If this appliance is not correctly installed in a washer-dryer stack, the installed appliance may fall.

- ▶ Only stack the dryer on a washing machine using the connection kit from the dryer manufacturer → *"Accessories", Page 19*. No other installation method is permitted.
- ▶ Do not install the appliance in a washer-dryer stack if the dryer manufacturer does not offer a suitable connection kit.
- ▶ Do not install appliances from different manufacturers and with varying depths and widths in a washer-dryer stack.
- ▶ Do not install a washer-dryer stack on a platform; the appliances may tip over.

WARNING

Children may pull packaging material over their heads, or wrap themselves up in it and suffocate.

- ▶ Keep packaging material away from children.
- ▶ Do not allow children to play with packaging material.

CAUTION

The appliance may vibrate or move when in use.

- ▶ Place the appliance on a clean, even, solid surface.
- ▶ Align the appliance using the appliance feet and a spirit level.

If hoses and power cords have been laid incorrectly, this causes a tripping hazard.

- ▶ Lay hoses and power cords in such a way that there is no risk of tripping.

If the appliance is moved by holding onto protruding components, such as the appliance door, the parts may break off.

- ▶ Do not move the appliance by holding onto protruding parts.

CAUTION

Touching sharp edges on the appliance may lead to cuts.

- ▶ Do not touch the sharp edges on the appliance.
- ▶ Wear protective gloves when installing and transporting the appliance.

1.7 Safe use

WARNING

To avoid risk of injury from a damaged appliance or power cord, observe the following.

- ▶ Never operate a damaged appliance.



IMPORTANT SAFETY INSTRUCTIONS

READ AND SAVE THESE INSTRUCTIONS

- ▶ Never pull on the power cord to unplug the appliance. Always unplug the appliance at the power outlet.
- ▶ If the appliance or the power cord is damaged, immediately unplug the power cord or switch off the breaker in the circuit breaker box.
- ▶ Call Customer Service. → *Page 31*

Moisture intrusion may cause an electric shock.

- ▶ Use the appliance in enclosed spaces only.
- ▶ Never expose the appliance to intense heat or humidity.
- ▶ Do not use steam cleaners, high-pressure cleaners, hoses or sprays to clean the appliance.

WARNING

Children can lock themselves in the appliance, thereby putting their lives at risk.

- ▶ Do not install the appliance behind a door as this may obstruct the appliance door or prevent it from opening.
- ▶ With redundant appliances, pull out the mains plug of the power cord, cut through the power cord and remove the appliance door.

WARNING

Children may breathe in or swallow small parts, causing them to suffocate.

- ▶ Keep small parts away from children.
- ▶ Do not allow children to play with small parts.

WARNING

If there is coal dust or flour in the air around the appliance, this may cause an explosion.

- ▶ Keep the area around the appliance clean during operation.

WARNING

Condensation water from this appliance is not suitable for drinking and may be contaminated with lint.

- ▶ Do not drink or reuse the condensation water from the appliance.

Detergents and care products may result in poisoning if consumed.

- ▶ If accidentally swallowed, seek medical advice.
- ▶ Keep detergents and care products out of the reach of children.

WARNING

The refrigerant R290 in this appliance is environmentally friendly yet combustible and may ignite if it comes into contact with open flames or ignition sources.

- ▶ Keep naked flames and ignition sources away from the

appliance. 

WARNING

If there is any residual material left in the lint screen, this may ignite during the drying process.

- ▶ Clean the lint screen regularly.
- Highly flammable objects such as lighters or matches may ignite during the drying process.

- ▶ Remove all highly flammable objects from any pockets in your laundry before the drying process.

Unwashed laundry that has come into contact with solvents, oil, wax, wax remover, paint, grease or stain remover may ignite when drying is in progress.

- ▶ Do not place laundry in this appliance to be dried if the laundry has not been washed first.
- ▶ Rinse the laundry thoroughly with warm water and detergent before drying it in the machine.
- ▶ Do not use the appliance if industrial chemicals have been used to clean the laundry beforehand.

WARNING

If drying is interrupted early, the laundry is not cooled sufficiently and may ignite.

- ▶ Do not interrupt the drying programme early.
- ▶ If drying is interrupted early, remove the laundry immediately and spread it out.

CAUTION

The covering plate may break if you stand on or climb onto the appliance.

- ▶ Do not stand on or climb onto the appliance.

The appliance may tip over if you sit on or lean against the open door.

- ▶ Do not sit on or lean against the appliance door.

- ▶ Do not place any objects on the appliance door.

Reaching into the drum while it is still turning may cause hand injuries.

- ▶ Wait for the drum to come to a complete stop before reaching inside.



IMPORTANT SAFETY INSTRUCTIONS

READ AND SAVE THESE INSTRUCTIONS

1.8 Safe cleaning and maintenance

WARNING

To avoid risk of injury from improper repairs, observe the following.

- ▶ Never make any technical modifications to the appliance or its features.
- ▶ Do not tamper with controls.
- ▶ Only qualified technicians or authorized service providers should perform repairs.
- ▶ Only genuine spare parts may be used to repair the appliance.
- ▶ If the power cord of this appliance becomes damaged, it must be replaced by the manufacturer, the manufacturer's Customer Service, or an authorized service provider in order to prevent injury.

Moisture intrusion may cause an electric shock.

- ▶ Before cleaning, pull out the power plug or switch off the circuit breaker in the circuit breaker box.
- ▶ Do not use steam cleaners, high-pressure cleaners, hoses or sprays to clean the appliance.

WARNING

To avoid risk of injury from the use of non-original spare parts and non-original accessories, observe the following.

- ▶ Use only manufacturer-approved spare parts and accessories.

WARNING

Poisonous fumes may be given off if you use cleaning agents that contain solvents.

- ▶ Do not use cleaning agents that contain solvents.

1.9 State of California Proposition 65 Warnings

This product may contain a chemical known to the State of California, which can cause cancer or reproductive harm. Therefore, the packaging of your product may bear the following label as required by California:

STATE OF CALIFORNIA PROPOSITION 65 WARNING:



Cancer and Reproductive Harm - www.P65Warnings.ca.gov

2 Preventing material damage

NOTICE:

The functionality of the appliance may be impaired if you use the wrong quantity of fabric softener, detergent, care product or cleaning agent.

- ▶ Follow the dosage recommendations from the manufacturer.
- ▶ Only use fabric softeners or products to eliminate static that are specifically recommended for this purpose by the product manufacturer.

Exceeding the maximum load capacity impairs the function of the appliance.

- ▶ Observe the maximum load capacity for each programme and do not exceed it.
→ "Programs", Page 16

The function of the appliance may be impaired if the appliance overheats.

- ▶ Keep the ventilation opening on the appliance clear during operation.
- ▶ Make sure that the area is adequately ventilated.

Light objects such as hair and lint may be sucked in from the ventilation opening on the appliance during operation and impair the function of the appliance.

- ▶ Keep the area around the appliance clean during operation.
- ▶ Keep light objects away from the appliance.

If you operate the appliance without a lint guard (e.g. lint screen, lint collector, filter mat, etc., depending on appliance specifications), or if the lint guard is incomplete or defective, this may result in damage to the appliance.

- ▶ Do not operate the appliance without a lint guard, or with a lint guard that is incomplete or defective.

Foam or foam rubber may deform or melt during the drying process.

- ▶ Do not dry laundry that contains foam or foam rubber.
- Unsuitable cleaning agents may damage the surfaces of the appliance.
- ▶ Do not use strong or abrasive cleaning agents.
 - ▶ Do not use cleaning agents with a high alcohol content.
 - ▶ Do not use hard scouring pads or cleaning sponges.
 - ▶ Clean the appliance with nothing but water and a soft, damp cloth.
 - ▶ Remove all detergent residue, spray residue or other residues immediately if they come into contact with the appliance.

3 Environmental protection and energy-saving

3.1 Disposal of packaging

The packaging materials are environmentally compatible and can be recycled.

- ▶ Sort the individual components by type and dispose of them separately.

3.2 Saving energy

If you follow these instructions, your appliance will use less power.

Note: The energy rating of this appliance is based on the **Cotton** program with the dryness level **Dry**. The dryness level has been adjusted to "2". All other program settings are deactivated.

- Operate the appliance in a well-ventilated room and keep the ventilation opening on the appliance clear.
- Spin the laundry in the washing machine before drying.
- For each drying process, use the maximum load for the programs. Programs → Page 16
- Do not exceed the program's maximum load capacity. Programs → Page 16
- After drying, clean the lint screen.
→ "Cleaning the lint screen", Page 21
- Deactivate Wi-Fi on the appliance if it is not being used.
→ "Deactivating Wi-Fi on the appliance", Page 24

3.3 Energy-saving mode

If you do not use the appliance for a brief period, it automatically switches to energy-saving mode. All displays go out and ▷ flashes.

Energy-saving mode ends when you use the appliance again.

If you do not use the appliance for an extended period, it automatically switches to standby mode.

4 Installation and connection

Install the appliance according to the manufacturer's instructions and local codes.

4.1 Unpacking the appliance

NOTICE:

Objects remaining in the drum that are not designed for operation with the appliance may cause material damage and damage to the appliance.

- ▶ Remove these objects, along with all supplied accessories, from the drum before starting the appliance.

1. Remove any packaging and protective covers completely from the appliance.

→ "Disposal of packaging", Page 8

2. Check the appliance for visible damage.
3. Open the door. → Page 20
4. Remove any accessories from the drum.
5. Close the door.

4.2 Included in delivery

After unpacking all the parts, check for any damage in transit and for completeness of delivery.

NOTICE:

If the appliance is operated with incomplete or defective accessories, the appliance may not be able to operate properly, or this may result in material damage and damage to the appliance.

- ▶ Do not operate the appliance with incomplete or defective accessories.
 - ▶ Replace the accessories in question before operating the appliance.
- "Accessories", Page 19

The delivery consists of the following:

- Tumble dryer
- Accompanying documents
- Water jug → Page 23
- Stopper → Page 11
- Power adapter with fuses

4.3 Requirements for the installation location

Observe the instructions for the installation location.

NOTICE:

If the appliance is tilted at an angle greater than 40°, residual water may leak out of the appliance and cause material damage.

- ▶ Tilt the appliance carefully.
- ▶ Transport the appliance in an upright position.

If residual water in the appliance freezes, this may cause damage to the appliance.

- ▶ Do not install or operate this appliance anywhere that is liable to experience frost and/or outdoors.

If the appliance is operated immediately after transportation, the refrigerant contained in the appliance may cause damage to the appliance.

- ▶ Immediately after transporting the appliance, leave it to rest for two hours before putting it into operation.

On the floor

Place the appliance on a clean, level, and firm surface. Align the appliance. → Page 12

In a washer-dryer stack

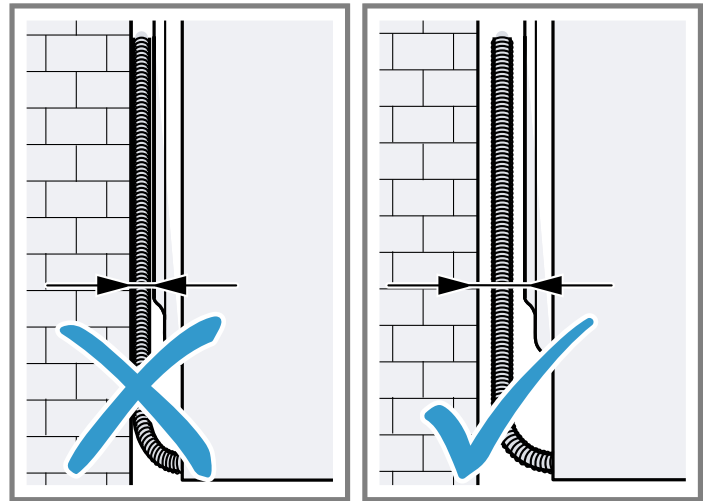
Only use the original connection set from the dryer manufacturer when setting up this appliance in a washer-dryer stack.

- Connection kit → Page 19
- Connection kit with pull-out countertop → Page 19

This appliance must only be stacked on a washing machine from the same manufacturer. The depth and width of this appliance must correspond with the dimensions of the washing machine.

Do not place the washer-dryer stack on a platform.

Against a wall



Do not trap the hoses and power cord between the wall and the appliance.

4.4 Installation types

The appliance can be set up in a closed cabinet either in a washer-dryer stack or free-standing.

⚠ WARNING

If this appliance is not correctly installed in a washer-dryer stack, the installed appliance may fall.

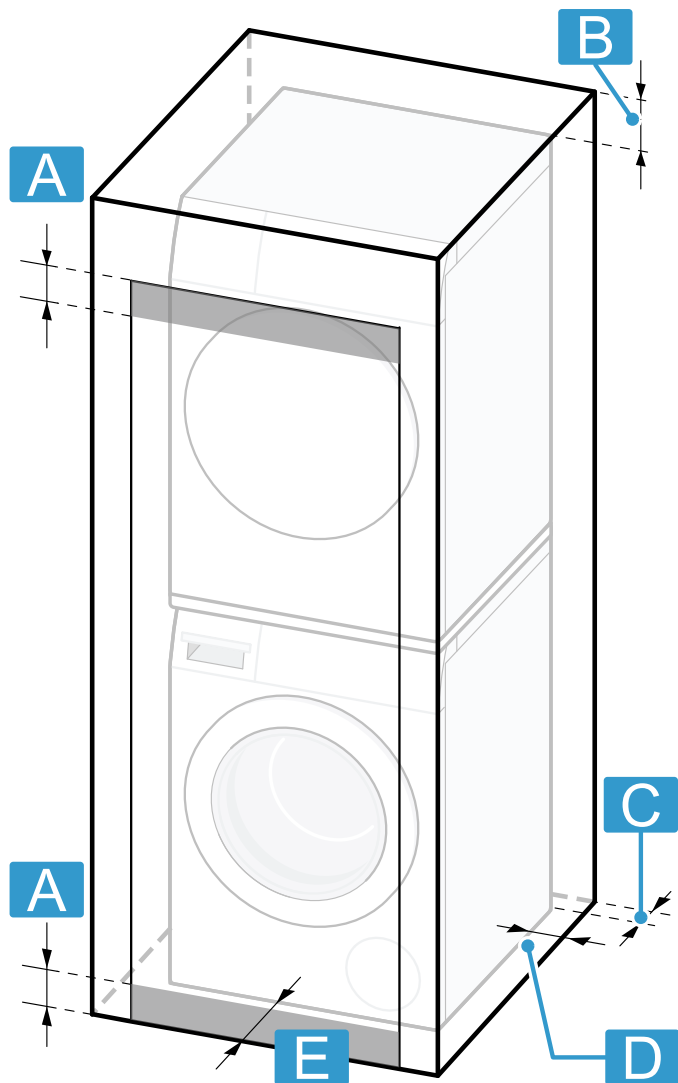
- ▶ Only stack the dryer on a washing machine using the connection kit from the dryer manufacturer → "Accessories", Page 19. No other installation method is permitted.
- ▶ Do not install the appliance in a washer-dryer stack if the dryer manufacturer does not offer a suitable connection kit.
- ▶ Do not install appliances from different manufacturers and with varying depths and widths in a washer-dryer stack.
- ▶ Do not install a washer-dryer stack on a platform; the appliances may tip over.

Installation in a closed cabinet

Notes

- In case of set up in a washer-dryer stack, please observe the requirements for the installation location.
- When installing in a cabinet, comply with the required minimum dimensions.
- To achieve shorter drying times, operate the appliance with the cabinet door open. Operating the appliance in a closed cabinet with only the minimum required ventilation openings may lead to longer drying times.

The specified dimensions of the ventilation opening apply to each position and must not be divided between the upper and lower positions.

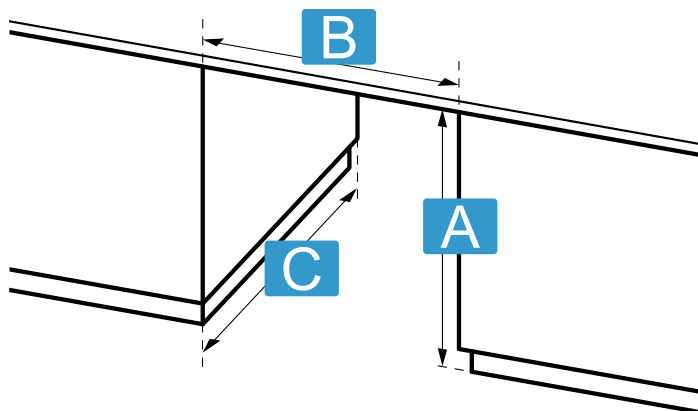


A	1.25" (3.2 cm)
B	6.25" (16.0 cm)
C	3.0" (7.5 cm)
D	0.5" (1.3 cm) ¹
E	0.5" (1.3 cm)

¹ Valid for both sides of the appliance

The specified dimensions of the ventilation openings apply to each position and must not be divided between the upper and lower positions.

Installation in an open cabinet



A	34.5" (87.6 cm)
B	23.8" (60.5 cm)
C	28.0" (71.1 cm)

4.5 Water outlet hose

Condensation that forms in the appliance as it dries the laundry is drained by default into the waste water system using the water outlet hose.

Connecting the water outlet hose

NOTICE:

When operating the appliance without the water outlet hose being connected properly, liquid may leak out.

- ▶ Before operating the appliance, ensure that the water outlet hose is properly connected.

Requirements

- The appliance and the accessory have been unpacked. → Page 8
- The appliance is installed at the installation location.
- The water outlet hose is connected to the appliance.
- ▶ Connect the appliance to the water outlet. → Page 10

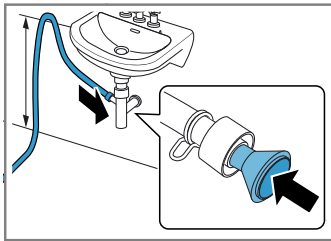
Water outlet connection types

NOTICE:

In the event of a blocked or covered outlet, accumulated wastewater can flow back into the appliance.

- ▶ Before operating the appliance, ensure that the wastewater drains away quickly and eliminate any blockages.

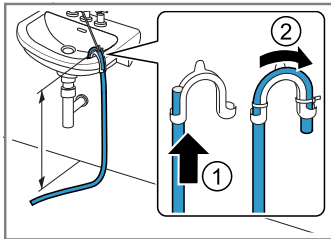
Drainage into a siphon.	Secure the connection point with a (1/2"-7/8" (12-22 mm)) hose clamp.
-------------------------	---



Secure the water outlet hose with a hose guide at a height of at least 31 1/2" (80 cm) and no more than 39 3/8" (100 cm).

Note: You can use the Y-distributor → *Page 19* to connect the water outlet hose of an additional appliance, such as a washing machine, to the same siphon outlet.

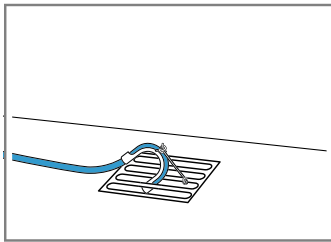
Drainage into a washbasin.



Push the water outlet hose fully through the elbow and secure it using fixing material.

Secure the elbow at a height of no more than 39 3/8" (100 cm).

Drainage into a gully.



Push the water outlet hose fully through the elbow and secure it using fixing material. Secure the elbow to the gully.

4.6 Connecting the condensation container

During the drying cycle, condensation forms; you can use the water outlet hose to drain away this condensation directly into the waste water system. If this is not possible at the appliance's installation location, connect the condensation container.

NOTICE:

When operating the appliance without the water outlet hose being connected properly, liquid may leak out.

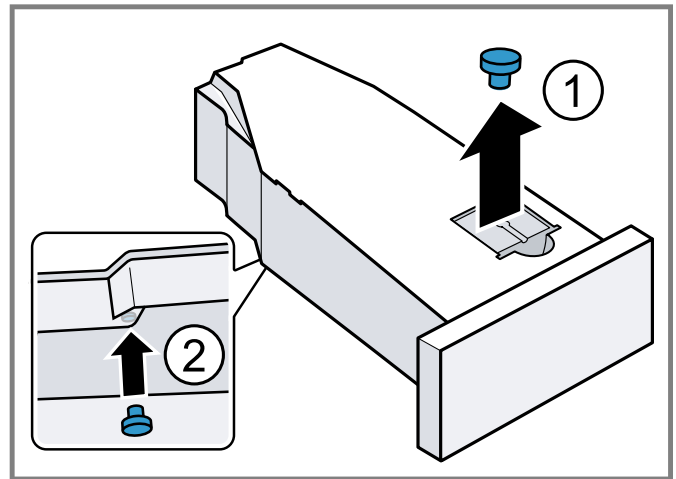
- ▶ Before operating the appliance, ensure that the water outlet hose is properly connected.

Requirements

- The appliance and the accessory have been unpacked. → *"Unpacking the appliance", Page 8*
- The appliance is installed at the installation location.

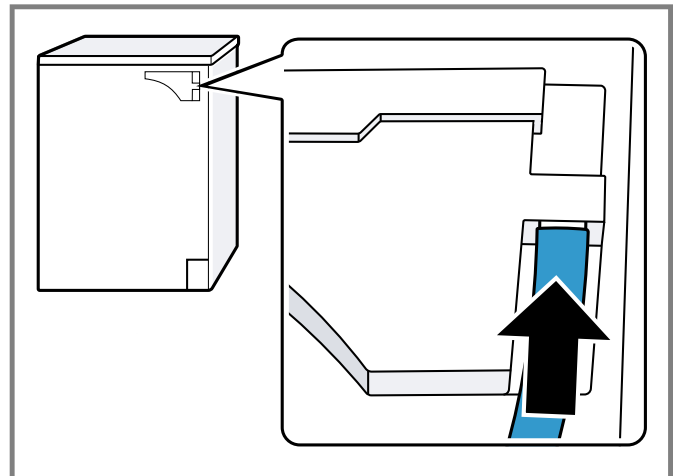
1. Empty the condensation container. → *Page 22*

2. Remove the stopper from the recess in the top ① and insert it in the underside ②.



When the appliance is delivered, the stopper is included as an accessory in the scope of delivery.

3. Insert the condensation container. → *Page 22*
4. Connect the water outlet hose on the rear of the appliance to the condensation container.

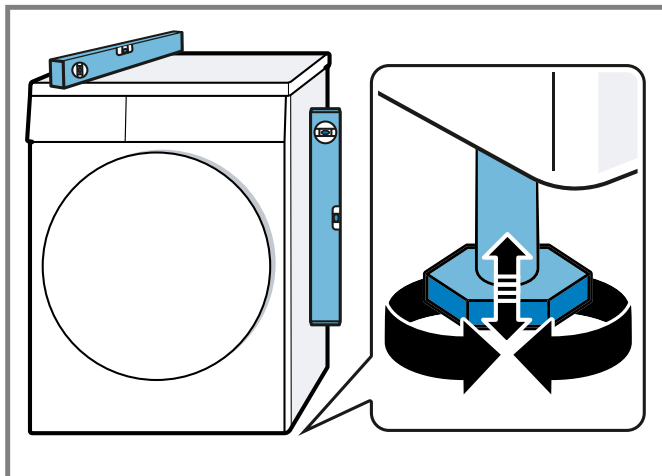


Tip: To go back to using the water outlet hose to drain the condensation into the waste water system (e.g. if you change where the appliance is located), carry out these steps in reverse order.

4.7 Aligning the appliance

In order to reduce noise and vibrations, align the appliance correctly.

- ▶ To align the appliance, turn the appliance feet. Check that the appliance is level using a spirit level.



All appliance feet must stand firmly on the ground.

4.8 Reversing the door

Note: You can find more information about changing the door direction online. Scan the QR code in the table of contents.

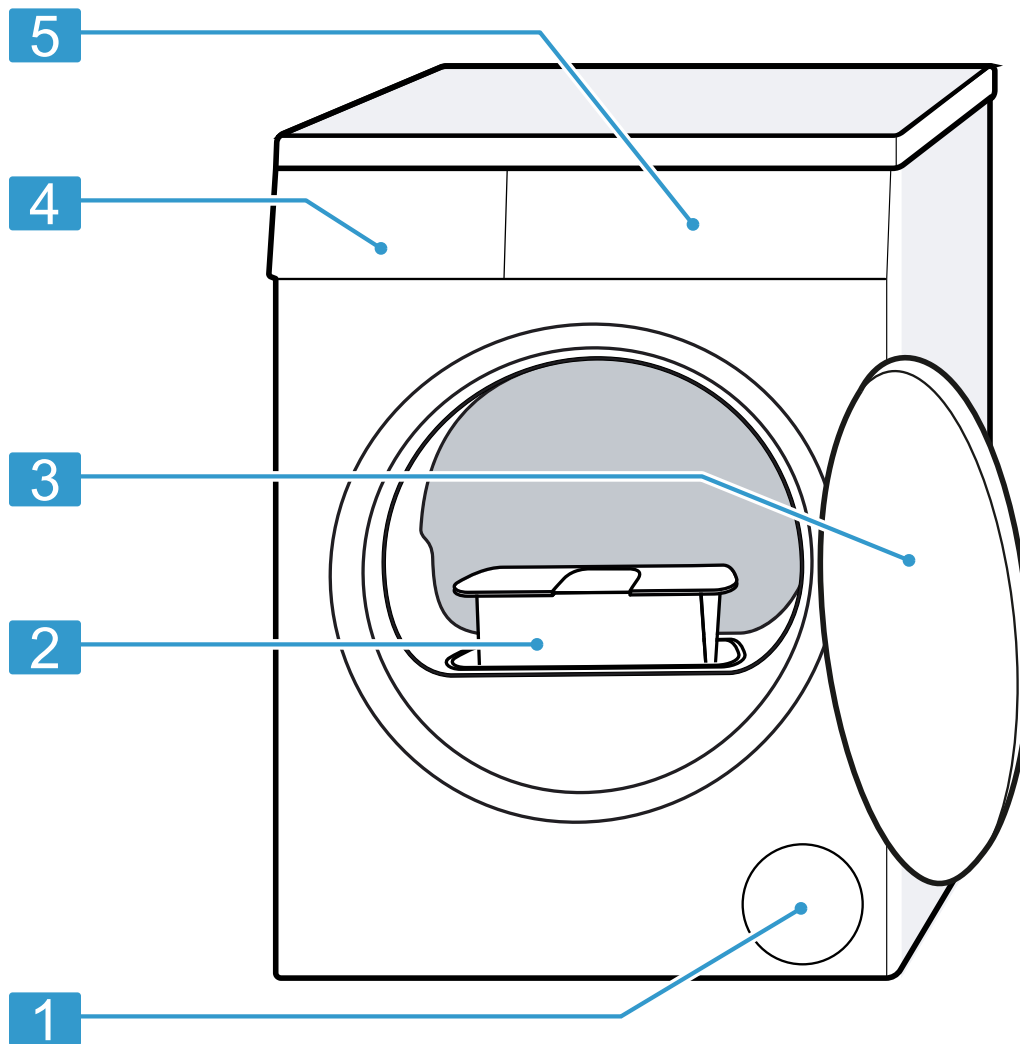
4.9 Connecting the appliance to the electricity supply

1. Insert the power adapter with the line side into a suitable socket close to the appliance.
Observe the user manual that is enclosed with the power adapter.
 2. Insert the mains plug for the appliance's power cord into the power adapter's load side.
The connection details of the appliance can be found under Technical data → *Page 32*.
 3. Check the power plug is inserted properly.
- ✓ The appliance is now ready to use.

5 Familiarizing yourself with your appliance

5.1 Appliance

Here you can find an overview of the parts of your appliance.



On certain models, specific details such as the color and shape may differ from those pictured.

1 Ventilation opening

2 Lint screen → *Page 21*

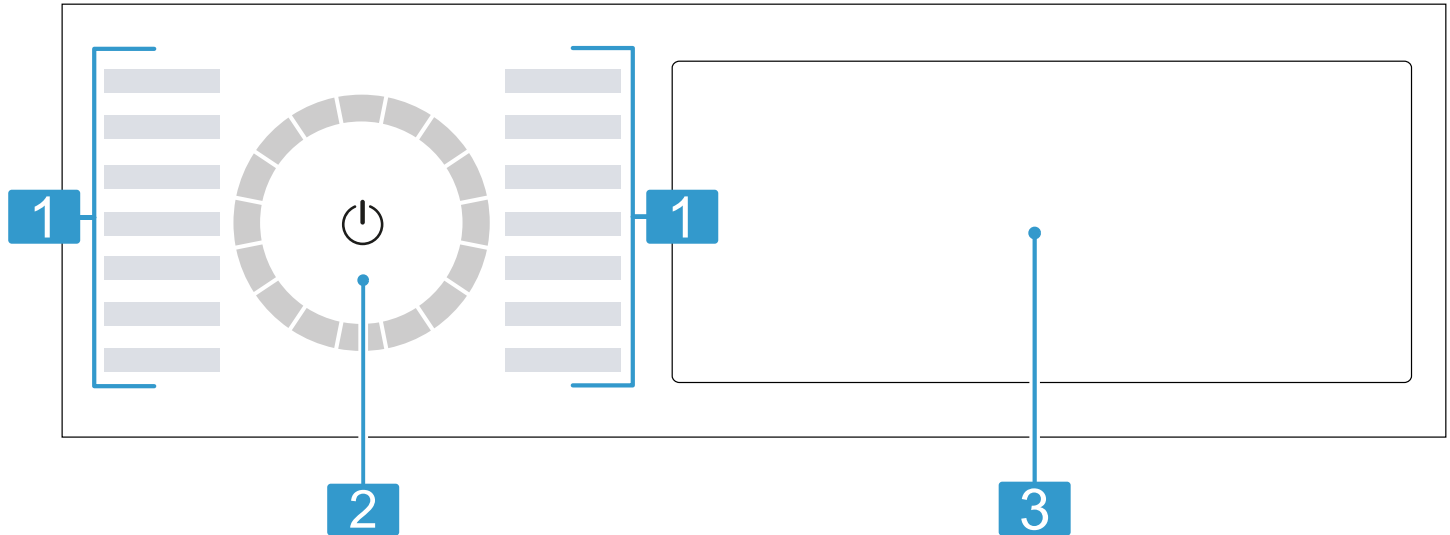
3 Door → *Page 20*

4 Condensation container → *Page 22*

5 Control panel → *Page 14*

5.2 Control panel

You can use the control panel to configure all functions of your appliance and to obtain information about the operating status.



1 Programs → *Page 16*

2 Program selector → *Page 19*

3 Buttons → *Page 16* and display → *Page 15*

5.3 Operating logic

Some areas of the display are buttons and respond to touch. You can activate, deactivate or change settings by pressing the buttons. The activated settings are highlighted brightly on the display.

NOTICE:

Pressing on the display with force may cause damage.

- ▶ Do not apply heavy pressure on the display.
- ▶ Do not press on the display using pointed or sharp objects.

Changing a setting value

If you activate certain settings, the display shows selection buttons and you can change the setting value.

- ▶ Press the selection buttons → *Page 16*.

The display shows the setting value.

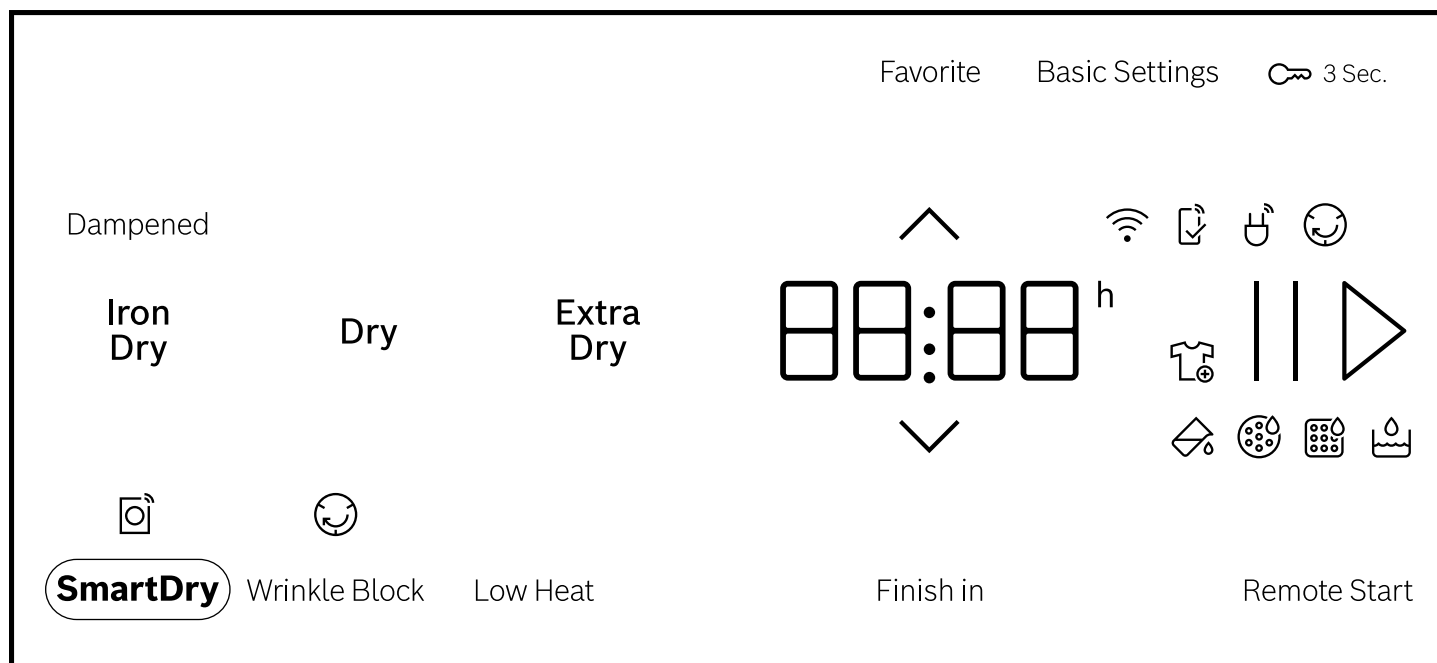
6 Display

The display shows the current settings, options or relevant information.

Depending on the program status, the display shows some information in the $\square\square:\square\square$ area, e.g. End.

Note: Additional functions may be available as a result of software updates. → *Page 24*

If a software update is available, you can find further information in the Home Connect® app.



Example: Display

Display	Description
00:40 ¹	Expected program duration or program time remaining in hours and minutes.
10h ¹	Program end time → <i>Page 16</i>
	You can remove or add laundry, and interrupt the current program. → <i>Page 20</i>
	Empty and insert the condensation container. → <i>Page 22</i>
	Clean the lint screen. → <i>Page 21</i>
CArE	Run the basic appliance care program. → <i>Page 26</i>
	Fill the water tank for the crease-removal function. → <i>Page 23</i>
Hot	The cooling process cools the laundry independently of the program status for a few minutes while the drum is rotating, in order to avoid damage to the laundry. The cooling process can be cancelled by opening the door. Note: Do not change the set program.
	<ul style="list-style-type: none"> ■ Lights up: The appliance is connected to your home network via Wi-Fi. ■ Flashes: The appliance is trying to connect to your home network via Wi-Fi.
	Settings that are not available on the appliance have been set via the Home Connect® app. You can find more information in the Home Connect® app.
	Program status: Crease-reduction function
▶	Program status: Pause
End	Program status: Program end

¹ Example

7 Buttons

Note: Additional functions may be available as a result of software updates. → *Page 24*
If a software update is available, you can find further information in the Home Connect® app.

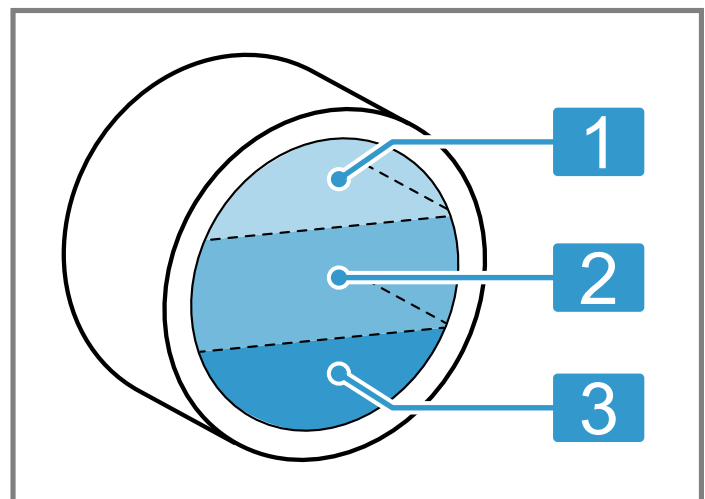
Button	Description
▷	Start, cancel or pause the program. If is displayed, you can pause the program. If ▷ is displayed, you can start the program.
⏻	Switch on the appliance or put it in standby mode. If the control panel does not respond, press and hold ⏻ for approximately 5 seconds to restart the appliance. → <i>Page 29</i>
🔒 3 Sec.	Activate or deactivate the control panel lock. → <i>Page 23</i>
◇	Change the settings. → <i>Page 14</i>
Basic Settings	Call up the basic settings. → <i>Page 25</i>
Favorite	Press the button for approximately 3 seconds to save your customized program settings. → <i>Page 20</i> If you briefly press the button, you set your saved program with individual program settings.
Extra Dry	Change the dryness level. → <i>Page 23</i>
Dry	Change the dryness level. → <i>Page 23</i>
Iron Dry	Change the dryness level. → <i>Page 23</i>
🌀 Wrinkle Block	Activate or deactivate the crease-reduction function. Once the program has ended, the drum moves the laundry at regular intervals for 120 minutes to prevent creasing.
Low Heat	Activate or deactivate gentle drying. The temperature is reduced for delicate fabrics, e.g. polyacrylic or elastane. The program duration is extended.
Finish in	Set the program end time. The program duration is already included in the set number of hours. Once the program has started, the program duration is displayed.
📺 SmartDry	Activate or deactivate intelligent program recommendation. → <i>Page 25</i>
Remote Start	If you press the button briefly, you can activate or deactivate remote start. → <i>Page 25</i> If you press and hold the button for approximately 3 seconds, the Home Connect® settings open. → <i>Page 24</i>

8 Programs

You can dry your fabrics using either an automatic program or a timed program.

Notes

- The laundry's care labels provide you with additional information on program selection.
- Additional functions may be available as a result of software updates. → *Page 24*
If a software update is available, you can find further information in the Home Connect® app.



1 Large load

2 Medium load



3 Small load

8.1 Automatic programs

Automatic programs are programs in which humidity sensors measure the residual moisture in the laundry during the drying cycle. The program only ends once the set dryness level is reached.

Each automatic program has a dryness level → *Page 23*. The dryness level defines how dry or damp your laundry is after the program ends.

Tip: Select the dryness level according to the type of fabric or the desired drying result.

Program	Description	Max. load
Cotton	Dry hard-wearing, heat-resistant fabrics made of cotton or linen.	large
Mix	Dry items made of cotton and synthetics.	small
Bedding	Dry quilt covers, pillowcases, and sheets made of cotton. Note: The drum movement is optimized for drying large items of laundry.	medium
Delicates	Dry delicate items made of satin, synthetics, or blended fabrics.	small
Sanitize	Dry hard-wearing, heat-resistant fabrics made of cotton or linen. Suitable for increased hygiene requirements.	medium
Jeans	Dry jeans and thick, double-layered items made of cotton. Note: Turn laundry inside out before drying.	medium
Sportswear	Dry self-drying sportswear made of performance fibers, microfibers and synthetics.	small
Quick Dry Auto	Dry items made of synthetics or light cotton.	small
Towels	Dry hard-wearing, heat-resistant towels and robes made of cotton or linen.	medium
Steam Restore 	Reduce creasing and airborne odors on dry shirts and blouses that have not been worn for long or at all. → <i>Page 23</i> Notes <ul style="list-style-type: none"> ■ To prevent creasing, remove the laundry after the program ends. ■ The laundry is not cleaned. 	2 to 5 items of laundry
 App Programs	Select additional programs directly via the Home Connect® app. A description of the programs can be found in the Home Connect® app. Note: Your appliance must be connected to your home network and registered in your Home Connect® app. → <i>Page 24</i>	–

8.2 Timed programs

Timed programs are programs with a defined or adjustable program duration. The program ends once this time has elapsed, even if the laundry is still not dry, for example. Timed programs are suitable for drying individual items of laundry or thin fabrics.

Program	Description	Max. load
Hand Wash/Wool	Dry machine-washable items made of wool or containing wool. Note: The laundry becomes fluffier but not dry. Remove laundry once the program has ended and allow it to dry.	small
Air Fluff	Fluff/loosen all fabric types except for wool and silk. This program is suitable for fluffing dry laundry only. Also suitable for freshening up or airing dry clothing that has hardly been worn.	small

Program	Description	Max. load
Time Dry	Dry all types of fabric except for wool and silk. Suitable for pre-dried or slightly damp laundry and for drying off multi-layered, thick laundry.	small
📱 App Programs	Select additional programs directly via the Home Connect® app. – A description of the programs can be found in the Home Connect® app. Note: Your appliance must be connected to your home network and registered in your Home Connect® app. → <i>Page 24</i>	–

9 Accessories

Only use genuine accessories. These are designed especially for your appliance.

Tip: Some accessories are available in other colors.

Contact customer service. → *Page 31*

	Use	Order number
Elbow	Secure the water outlet hose in place.	00655300
Connection kit	To save space, stack the appliance on a suitable washing machine of the same width and depth and that is from the same manufacturer.	WTZ2751XUC
Connection kit with pull-out countertop	To save space, stack the appliance on a suitable washing machine of the same width and depth and that is from the same manufacturer. The pull-out countertop makes it easier to load and unload the appliance.	WTZ2750XUC
Wool basket	Dry or air individual woolen items, sports shoes, and soft toys.	WMZ20600
Y-distributor	Connect the water outlet hose of an additional appliance to the same siphon outlet.	15000490
Appliance care product	Spare part for the intensive appliance care function.	00312474
Platform	Install the appliance at a raised height so that it can be easily loaded and unloaded.	WTZPW2XD
Power adapter	Connect the appliance to a NEMA 14-30 (4-pin) outlet.	WTZPA20UC
Power adapter	Connect the appliance to a NEMA 10-30 (3-pin) outlet.	WTZPA30US
Fuses	Spare part for the power adapter to protect the appliance from damage due to overloads and short circuits.	10013781

10 Laundry

10.1 Preparing the laundry

NOTICE:

Objects remaining in the laundry may damage the laundry and the drum.

- ▶ Remove all items from any pockets in your laundry before using the appliance.

Note

The appliance and fabrics are protected when you prepare your laundry.

- Brush off sand and soil
- Sort the laundry according to color and fabrics and observe the care labels
- Close all zippers, hook and loop fasteners, hooks and eyes
- Remove curtain fittings and lead strips
- Load the laundry unfolded into the drum
- Spin the laundry before drying
- Dry woolen items, sports shoes and soft toys in the wool basket

11 Basic Operation

11.1 Switching on the appliance

Note: If you switch the appliance on the first time after you have connected it to the electrical system, the switch-on process takes up to one minute.

Requirement: The appliance has been correctly installed and connected. → *Page 8*

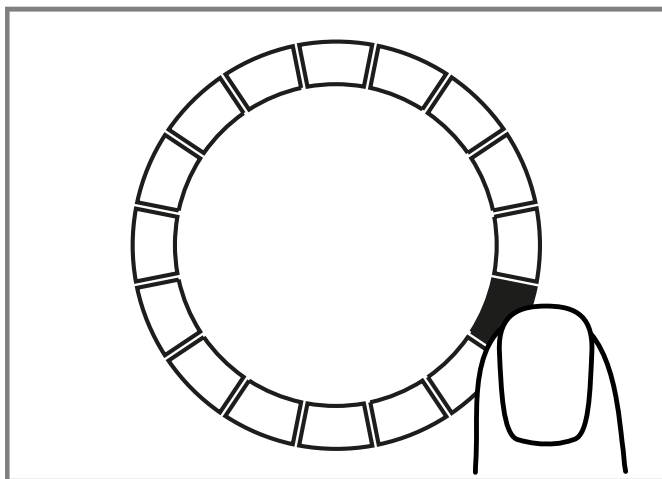
- ▶ Press .

The switch-on process takes a few seconds.

Note: The lighting for the drum goes out automatically.

11.2 Setting a program

1. Press the required program. → *Page 16*



- ✓ The display shows the program settings.
2. Adjust the program settings. → *Page 16*
Observe the information about operating logic → *Page 14*.
The program settings are not saved permanently for the program.

11.3 Saving the program settings

You can save your individual program settings as favorites.

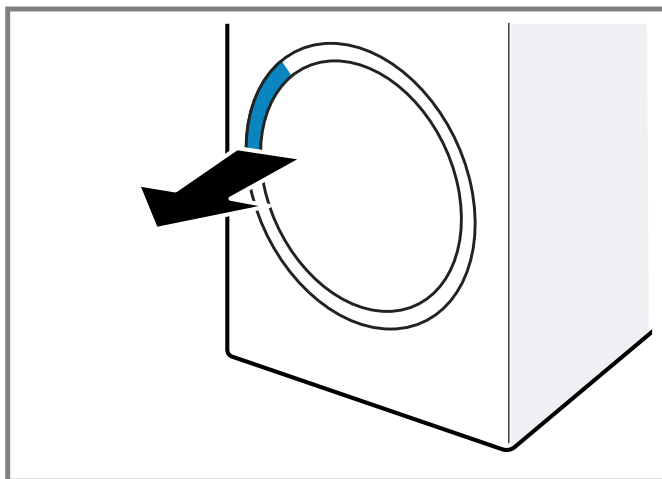
Requirement: A program has been set. → *Page 19*

- ▶ Press and hold **Favorite** for approximately 3 seconds.
Press **Favorite** to call up the saved program.

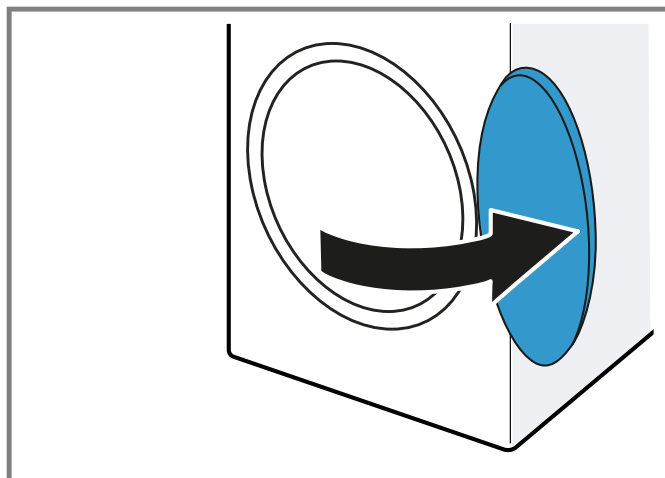
Note: To overwrite the saved program, repeat the steps above.

11.4 Opening the door

1. Grip under the door handle and pull on the door.



2. Open the door.



11.5 Loading laundry

Note: To prevent creasing, note the maximum load for the programs. → *Page 16*

Requirements

- The laundry is prepared and sorted. → *Page 19*
- The drum is empty.

1. Open the door. → *Page 20*
2. Place the laundry in the drum.
3. Close the door.

Ensure that there is no laundry trapped in the door.

11.6 Starting the program

Requirements

- A program has been set. → *Page 19*
- The door is closed.

- ▶ Press || ▷.

- ✓ The display shows the program duration or the program end time.
- ✓ After the program has ended, the display shows: "End".

Note: When "Hot" is shown on the display, the appliance cools the laundry.
When "Hot" goes out, the laundry has cooled down.

11.7 Adding laundry

After the program starts, you can remove or add laundry at any time.

1. Press || ▷.

The cooling process starts automatically after approximately 30 seconds and cools down the laundry while the drum is rotating. If you want to avoid or cancel the cooling process, open the door. → *Page 15*

2. Open the door. → *Page 20*
3. Add or remove laundry.
4. Close the door.
5. Start the program. → *Page 20*

11.8 Terminating the program

1. Press **||▷**.
2. Open the door. → *Page 20*
3. Remove the laundry. → *Page 21*

11.9 Removing the laundry

1. Open the door. → *Page 20*
2. Remove the laundry from the drum.

11.10 Put the appliance into standby mode

- ▶ Press **⏻**.

11.11 Lint screen


During drying, lint from the laundry is collected in the lint screen. The lint screen protects the appliance from lint.

Cleaning the lint screen

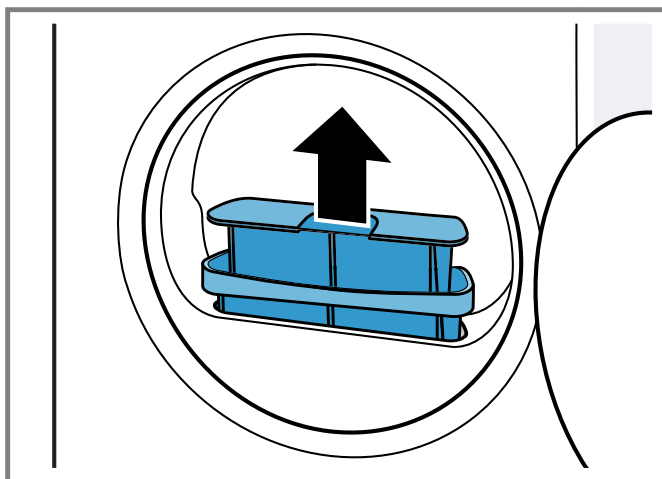
If the drying program has finished or the display shows a notification while the appliance is in operation, clean the lint screen after the program end.

Note: If you do not clean the appliance as described, the appliance's functionality may be impaired.

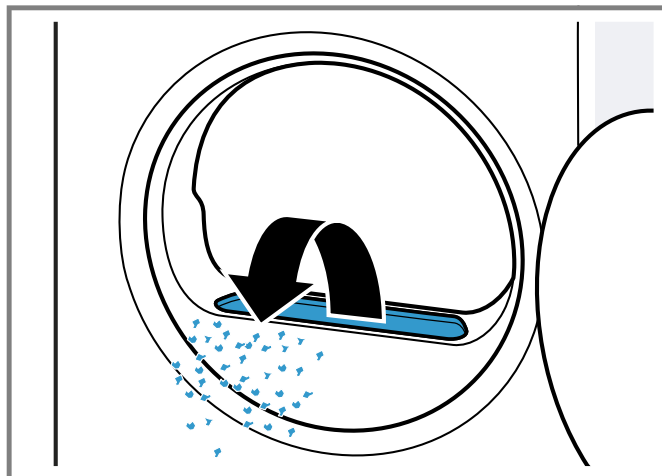
Requirements

- The display shows the following after drying: "End"
- or the display shows the following during operation: 

1. Open the door. → *Page 20*
2. Remove the lint from the inside of the door.
3. Remove the two-part lint screen one part at a time.

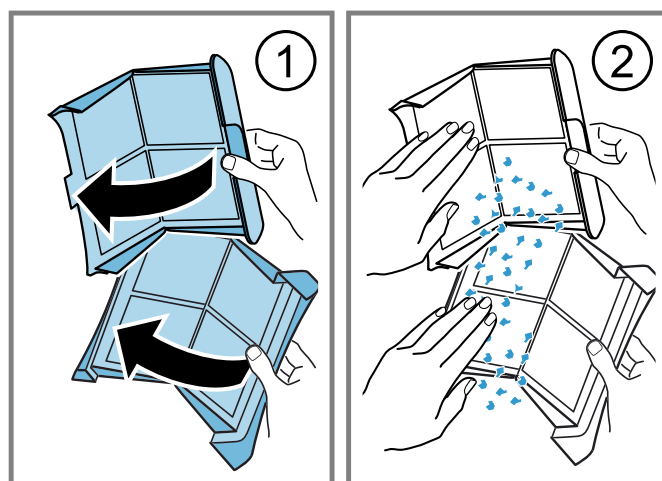


4. Remove the lint from the recess.



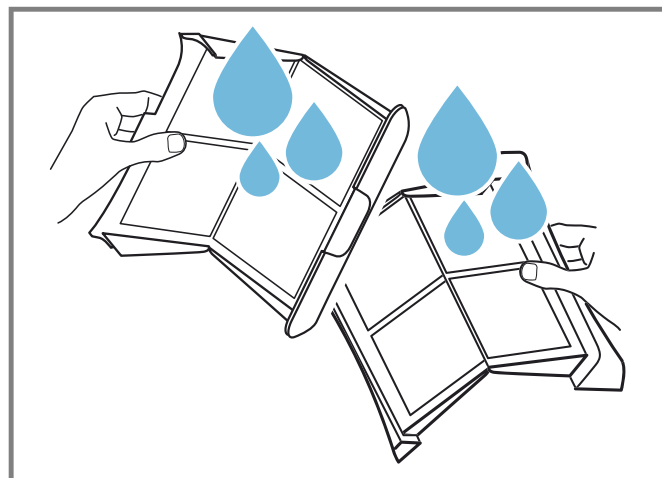
Ensure that no lint falls into the air channel.

5. Open the two lint screens ① and remove the lint ②.

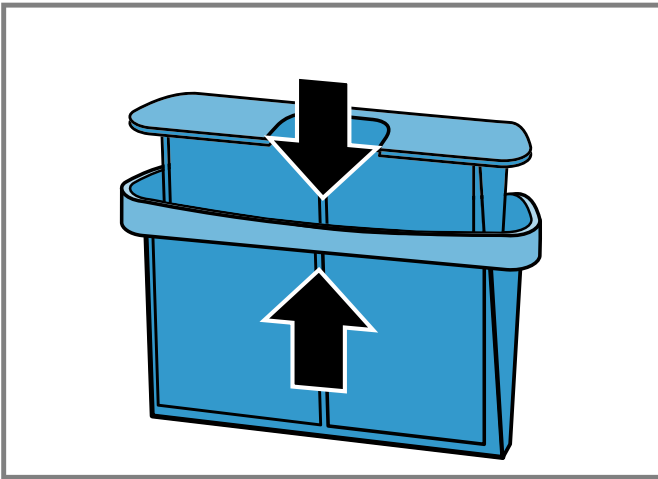


Dispose of the lint with the household waste in order to prevent the water from being contaminated with microplastics.

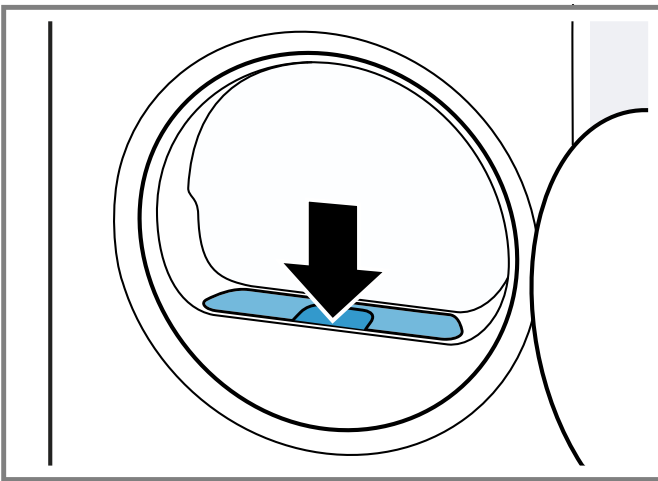
6. Clean the two lint screens thoroughly under warm, running water and then dry them off.



7. Close the two lint screens and put them together.



8. Insert the two-part lint screen.



9. Close the door.


11.12 Condensation container

If you have connected the condensation container, your appliance uses this to collect any condensation.

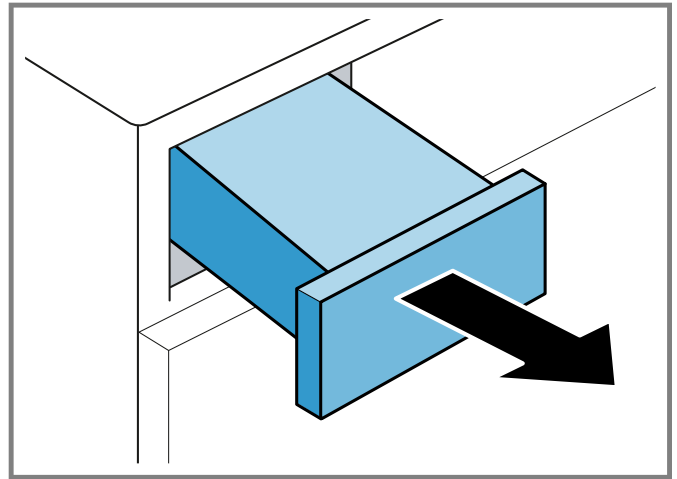
Emptying the condensation container

If the drying program has finished or the display shows a notification that the drying program is paused, empty the condensation container.

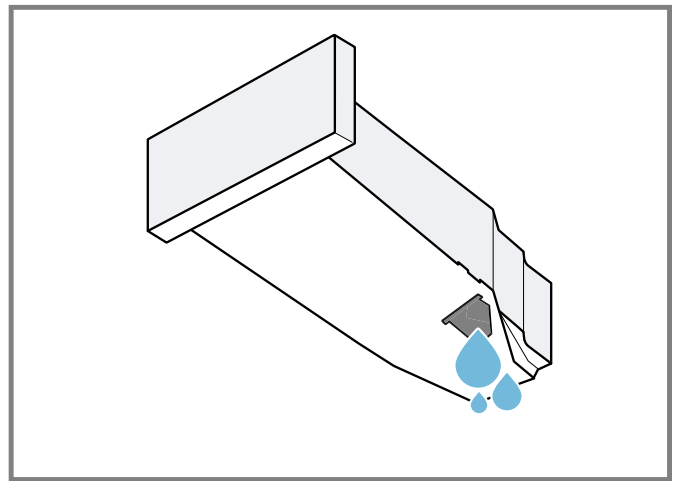
Requirements

- The display shows the following after drying: "End"
- or the display shows the following while operation is paused: 

1. Pull out the condensation container, keeping it level.



2. Empty the condensation container.



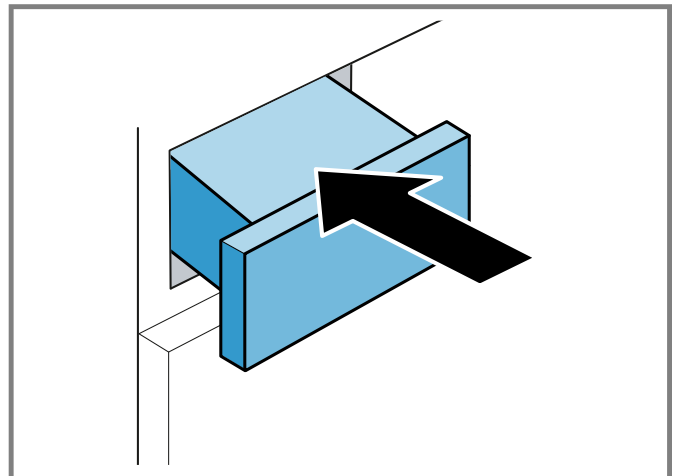
Check the condensation container filter regularly, and clean the filter if it is dirty. → *Page 28*

Make sure that you insert the condensation container before operating the appliance. → *Page 22*

3. If the drying program is paused, start the program. → *Page 20*

Inserting the condensation container

- ▶ Push the condensation container in as far as it will go.



12 Dryness level

Each automatic program has a specified dryness level. The dryness level defines how dry or damp your laundry is after the program ends.

Dryness level	Description
Extra Dry	For multi-layered, thick laundry that does not dry readily.
Dry	For normal, single-layered laundry.
Iron Dry	For normal, single-layered laundry. The laundry is still slightly damp after the program ends. To prevent creasing after drying, iron the laundry or hang it up.

12.1 Changing the dryness level


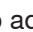
For some automatic programs, you can change the dryness level so that your laundry will be drier or more damp.

1. Set an automatic program. → *Page 17*
✓ The display shows the specified dryness level.
2. Press **Dry**, **Extra Dry**, or **Iron Dry**.

12.2 Adjusting the dryness level

If the laundry feels too damp after it has been dried to a particular dryness level, you can adjust the dryness level.


Note: You can also adjust the dryness level in the basic settings.

1. Set an automatic program. → *Page 17*
✓ The display shows the specified dryness level.
2. Press and hold **Dry**, **Extra Dry** or **Iron Dry** for approx. 3 seconds.
✓ The display shows "0", "1", "2" or "3".
3. Press  or  to adjust the dryness level from "0" (dry) to "3" (driest).
4. Press and hold the selected drying target for approx. 3 seconds to return to the automatic program.

13 Control panel lock

Secure your appliance against being operated unintentionally using the controls.

13.1 Activating the control panel lock

- ▶ Press and hold  **3 Sec.** for around 3 seconds.
- ✓ The control elements are locked.
- ✓ The control panel lock also remains activated when the appliance is in standby mode and in the event of a power failure.

13.2 Deactivating the control panel lock

Requirement: To deactivate the control panel lock, the appliance must be switched on.

- ▶ Press and hold  **3 Sec.** for around 3 seconds.

14 Crease-removal function

In order to reduce creasing and airborne odors, such as cigarette smoke, you can use a program with a crease-removal function for any dry laundry that has not been worn for long or at all.

14.1 Starting a program with the crease-removal function

Note

Wash items of laundry that have traces of sweat, perfume or deodorant before wearing them again.


Do not use dryer cleaning sets.

Do not use a program with the crease-removal function for the following fabrics:

- Wool, leather, and viscose
- Fabrics with parts made from metal, wood, or plastic
- Waxed jackets and oilskin jackets

Requirement: The laundry is placed in the appliance.

→ *Page 20*

1. Set a program with crease-removal function. → *Page 17*
2. Start the program. → *Page 20*
If the water tank is empty, the display shows: .
→ *"Filling the water tank", Page 23*
The average program duration of the crease-removal function is approx. 45 minutes and may be longer or shorter depending on the ambient temperature.
✓ After the program has ended, the display shows: "End".
3. Remove the laundry. → *Page 21*
The results of the crease-removal function may vary depending on the type of fabric, the amount of laundry, and the selected program.
Remove the laundry immediately after the program has ended to prevent creasing.
4. Hang up the items of laundry and pull them into shape.

14.2 Filling the water tank


Your appliance removes the creases from rarely worn clothing using cold mains water. If the display shows a notification while the appliance is in operation, fill the water tank.

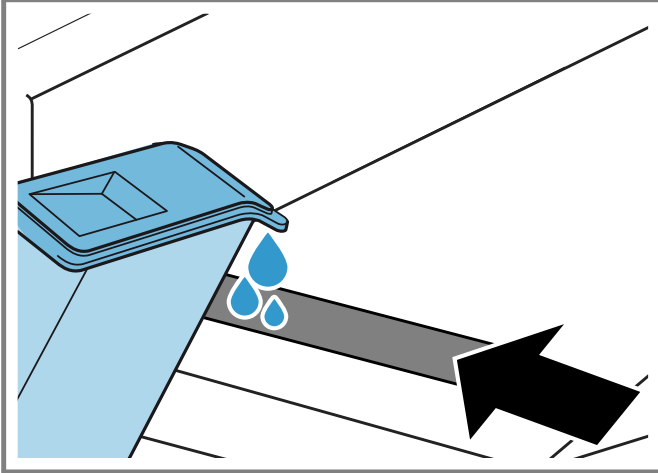
NOTICE:

Operating the appliance with water that is dirty or too hot may result in damage to the appliance.


- ▶ Only fill the water tank with cold drinking water.
- ▶ Never use condensed water, distilled water, additives or descaler for the crease-removal function.

Requirements


- A program with the crease-removal function has been started. → *Page 23*
 - The display shows: .
 - The condensation container → *Page 22* is removed from the appliance.
1. Add approx. 6.1 fl oz (180 ml) cold mains water through the front opening, using the water jug provided.



Observe the mark for filling the water tank next to the front opening.

If  does not go out on the display, align the appliance correctly.

→ *"Aligning the appliance", Page 12*

- ✓  goes out on the display.
2. Insert the condensation container. → *Page 22*
 3. Start the program. → *Page 20*

15 Home Connect®

This appliance is network-capable. Connecting your appliance to a mobile device lets you control its functions via the Home Connect® app, adjust its basic settings and monitor its operating status.

The Home Connect® services are not available in every country. The availability of the Home Connect® function depends on the availability of the Home Connect® services in your country. You can find information on this at: www.home-connect.com.

The Home Connect® app guides you through the entire registration process. Follow the instructions, noting the information in the Home Connect® app.

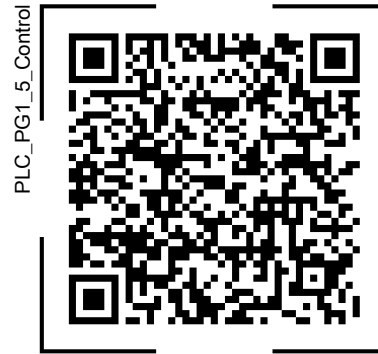
Notes

- Note the safety information in this instruction manual and ensure that it is also observed when operating the appliance using the Home Connect® app.
 - *"Safety", Page 4*
- Operating the appliance on the appliance itself always takes priority. It is not possible to operate the appliance using the Home Connect® app during this time.

15.1 Setting up Home Connect®

Requirement: The appliance receives signals from the WLAN home network (Wi-Fi) at its installation location.

1. Scan the following QR code.



You can install the Home Connect® app and connect your appliance via the QR code.

2. Follow the instructions in the Home Connect® app.

15.2 Deactivating Wi-Fi on the appliance

1. Press and hold **Remote Start** for around 3 seconds.
2. Press **Remote Start** repeatedly until the display shows "on".
3. Press **||▷** to deactivate the Wi-Fi.
 - ✓ The display shows "oFF".

Note: To exit the Home Connect® settings, press and hold **Remote Start** for approx. 3 seconds.

15.3 Activating Wi-Fi on the appliance

1. Press and hold **Remote Start** for around 3 seconds.
2. Press **Remote Start** repeatedly until the display shows "oFF".
3. Press **||▷** to activate the Wi-Fi.
 - ✓ The display shows "on".

Notes

- If the Wi-Fi is activated, the display alternately shows "on" and the signal strength of the Wi-Fi connection.
- To exit the Home Connect® settings, press and hold **Remote Start** for approx. 3 seconds.

15.4 Installing a software update

Note: If a software update is available, a message appears in the Home Connect® app.

- ▶ To install the software update, follow the instructions in the Home Connect® app.
- ✓ The control panel is partially locked during the installation.
- ✓ In the event of a malfunction, installation may take up to 40 minutes. Do not reset the network settings or the appliance to the factory settings.

15.5 Resetting the appliance network settings

1. Press and hold **Remote Start** for around 3 seconds.
 2. Press **Remote Start** repeatedly until the display shows "rES".
 3. Press and hold **||▷** for around 3 seconds.
- ✓ The network settings are reset.

15.6 Remote start

Enable the appliance for remote start via the Home Connect® app.

Note

Remote start will be deactivated in the following circumstances:

- The appliance door is opened.
- Press **||▷**.
- Press **Remote Start**.
- Following a power failure.

Activating remote start

Requirements

- The appliance door is closed.
 - The refresher tank is not empty.
 - ▶ Press **Remote Start**.
- ✓ **Remote Start** lights up and the appliance is enabled for remote start via the Home Connect® app.

Deactivating remote start

- ▶ Press **Remote Start**.
- ✓ **Remote Start** goes out.

15.7 Intelligent program recommendation

When you activate the intelligent program recommendation, your appliance recommends a suitable program for drying the laundry once you have washed your laundry in the washing machine.

Activating the intelligent program recommendation

Requirements

- Your washing machine has the Home Connect® function.
- Your washing machine and your dryer must be connected to your home network and registered in your Home Connect® app.

1. Press **SmartDry**.
 - ✓ The appliance determines a suitable program. To cancel the process, set a different program or switch the appliance to standby mode.
 - ✓ If the appliance finds a suitable program, the display for the program lights up and the program information is displayed.
 - ✓ If the appliance does not find a suitable program, a signal tone sounds and the display shows "- -".
2. Press **||▷**.

15.8 Remote Diagnostics

Customer Service can access your appliance via Remote Diagnostics if you ask them to do so, provided your appliance is connected to the Home Connect® server and Remote Diagnostics is available for your appliance and country. For more information on Remote Diagnostics' availability in your country, visit the Service/Support section of your local website: www.home-connect.com. Please be aware that while Remote Diagnostics can assist in troubleshooting select issues, there may be instances where an on-site service visit is required if the problem cannot be resolved remotely.

15.9 Data Protection

Please read this information on data protection.

The first time your appliance is registered on a home network connected to the Internet, your appliance transmits the following types of data to the Home Connect® server (initial registration):

- Unique appliance identification (consisting of appliance codes as well as the MAC address of the installed Wi-Fi communication module).
- Security certificate of the Wi-Fi communication module (to ensure a secure data connection).
- The current software and hardware version of your home appliance.
- Status of any previous reset to factory settings.

This initial registration prepares the Home Connect® functions for use and is only required when you want to use the Home Connect® functions for the first time.

Note: Please note that the Home Connect® functions can only be used in conjunction with the Home Connect® app. Information on data protection can be retrieved in the Home Connect® app.

16 Basic settings

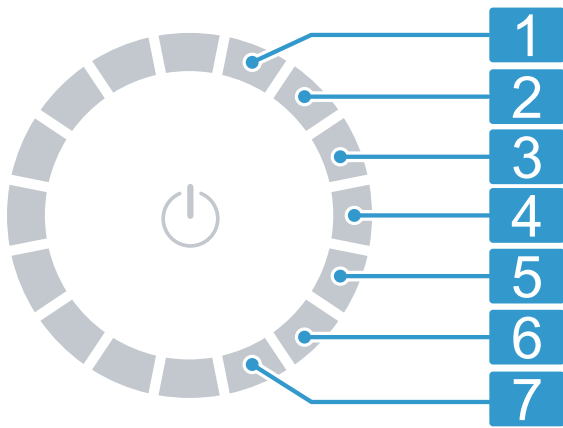
You can configure the basic settings for your appliance to meet your needs.

Note: You can also adjust the basic settings in the Home Connect® app.

16.1 Overview of the basic settings

Note: Additional functions may be available as a result of software updates. → *Page 24*

If a software update is available, you can find further information in the Home Connect® app.



Program selector with program positions

- 1** Set the volume of the signal tone that is emitted when the program ends:
0 (off) to 4 (very loud)
- 2** Set the volume of the signal tone that is emitted when the buttons are selected:
0 (off) to 4 (very loud)
- 3** Set the display brightness:
1 (low) to 4 (very high)
- 4** Adjust the dryness level → *Page 23*:
0 (dry) to 3 (driest)
- 5** Start the basic (CP1) or intensive (CP2) appliance care program.
→ *"Appliance care", Page 26*
- 6** Display the number of started programs (PC).
- 7** Restore the appliance to the factory settings (rES).

16.2 Changing the basic settings

1. To call up the basic settings, press **Basic Settings**.
2. Use the program selector to select the required basic setting. → *Page 25*
3. Adjust the basic setting:
 - To change the value, press \wedge or \vee .
 - To reset the appliance to the factory settings, press and hold $\text{||}\triangleright$ for approx. 3 seconds.
4. To exit the basic settings, press **Basic Settings**.

17 Appliance care

The appliance offers cleaning programs for basic and intensive appliance care.

To remove light dirt deposits in the appliance, you can run the basic appliance care program when the display shows "CArE" after a longer period of use.

Note: The basic appliance care program runs for approximately 1 hour.

To remove any stubborn dirt deposits in the appliance and odors after a downtime of more than one month, you can run the intensive appliance care program.

Notes

- The intensive appliance care program runs for approximately 4 hours and must not be canceled.
- When you run the intensive appliance care program, you need the original appliance care product → *Page 19*.

17.1 Preparing for the appliance care program

Preparing the appliance

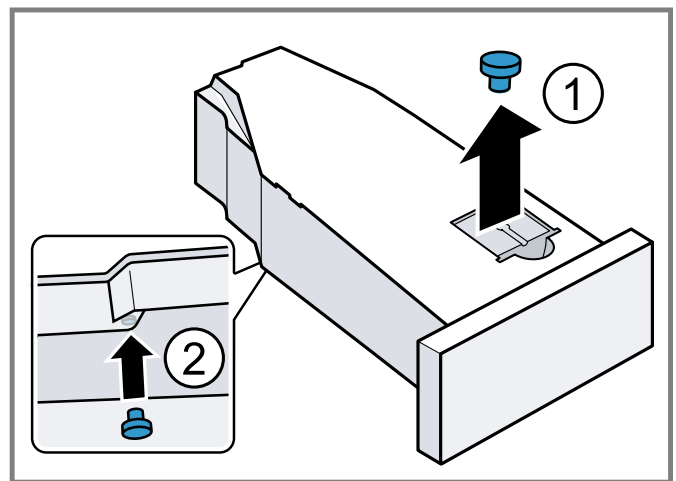
Requirement: The drum is empty.

1. Put the appliance into standby mode. → *Page 21*
2. Clean the lint screen. → *Page 21*
3. Empty the condensation container. → *Page 22*

Preparing the condensation container

If you drain the condensation using the water drain hose, prepare the condensation container.

- ▶ Remove the stopper from the recess in the top ① and insert it in the underside ②.



When the appliance is delivered, the stopper is included as an accessory in the scope of delivery.

17.2 Running the basic appliance care program

Requirement: The appliance care program is ready.

→ *Page 26*

1. Pour approx. 6.3 cups (1.5 l) of hot mains water into the condensation container.
Hold the filled condensation container level so that no liquid spills out.
2. Insert the condensation container so that it locks into place.
3. Switch on the appliance.
4. Press **Basic Settings**.

5. Set the program selector to position 5. → *Page 25*
- ✓ "CP1" and the program duration alternate on the display.
6. Press **||▷**.
- ✓ The appliance care program starts and a signal tone sounds.
- ✓ "End" appears on the display and a signal tone sounds once the appliance care program has ended.
7. Empty the condensation container. → *Page 22*
8. If you drain the condensation using the water drain hose, remove the stopper from the underside of the condensation container and insert it into the recess in the top of the condensation container. → *Page 26*
9. Insert the condensation container so that it locks into place.
10. Put the appliance into standby mode. → *Page 21*

17.3 Running the intensive appliance care program

Starting the intensive appliance care program

Requirement: The appliance care program is ready.
→ *Page 26*

1. Pour a bottle of the appliance care product and approx. 6.3 cups (1.5 l) of hot mains water into the condensation container.
Hold the filled condensation container level so that no liquid spills out.
2. Insert the condensation container so that it locks into place.
3. Switch on the appliance.
4. Press **Basic Settings**.
5. Set the program selector to position 5. → *Page 25*
- ✓ "CP1" and the program duration alternate on the display.
6. Press **✓**.
- ✓ "CP2" and the program duration alternate on the display.
7. Press **||▷**.
- ✓ The appliance care program starts and a signal tone sounds.
- ✓ After around 3 hours, the appliance pauses the appliance care program and the remaining program duration flashes on the display.
8. Empty the condensation container. → *Page 22*
9. Pour approx. 6.3 cups (1.5 l) of hot mains water into the condensation container.
10. Carefully swivel the condensation container horizontally and empty it to rinse out any remaining appliance care product.

Continuing the intensive appliance care program

1. Pour approx. 6.3 cups (1.5 l) of hot mains water into the condensation container.

- Hold the filled condensation container level so that no liquid spills out.
2. Insert the condensation container so that it locks into place.
3. Press **||▷**.
- ✓ The appliance care program continues.
- ✓ "End" appears on the display and a signal tone sounds once the appliance care program has ended.
4. Empty the condensation container. → *Page 22*
5. If you drain the condensation using the water drain hose, remove the stopper from the underside of the condensation container and insert it into the recess in the top of the condensation container. → *Page 26*
6. Put the appliance into standby mode. → *Page 21*

18 Cleaning and maintenance

18.1 Moisture sensor

The moisture sensor in this appliance measures how damp the laundry is during the drying cycle. The appliance changes the duration of the automatic program depending on the residual moisture in the laundry.

Cleaning the moisture sensor

Over time, residue from limescale, detergents, and care products can build up on the moisture sensor. Clean the moisture sensor regularly.

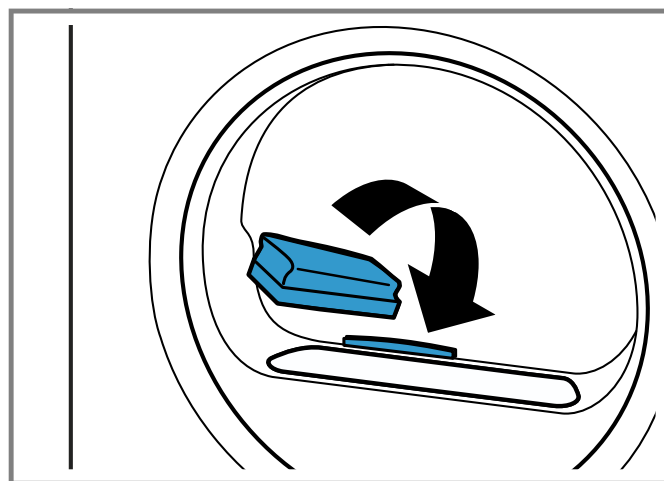
NOTICE:

Hard or rough objects may damage the moisture sensor.

- ▶ Do not use hard or rough objects, abrasive cleaning products, or steel wool for cleaning.

Note: If you do not clean the appliance as described, the appliance's functionality may be impaired.

1. Open the door.
2. Clean the moisture sensor with a sponge.



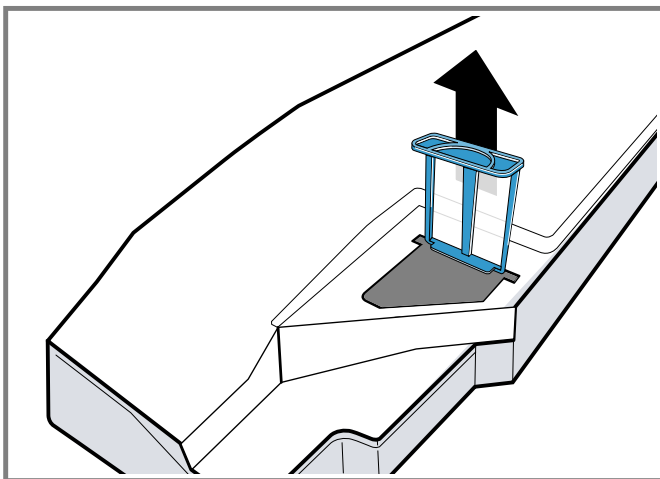
18.2 Condensation container filter

During drying, lint from the laundry gets into the condensation. The filter in the condensation container protects the appliance from lint.

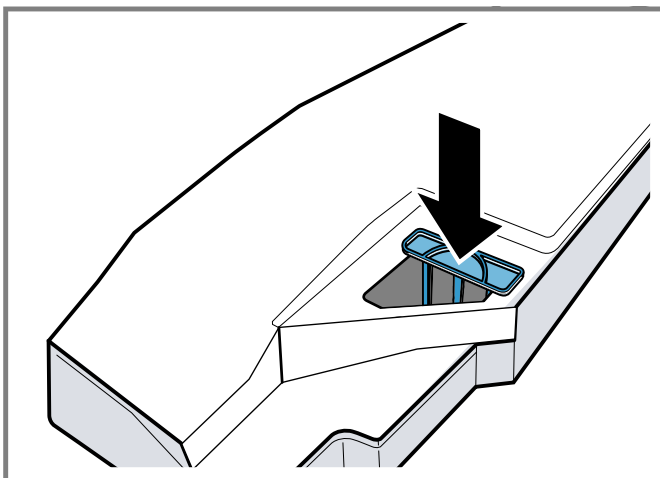
Cleaning the condensation container filter

The filter is cleaned automatically when the condensation container is emptied. Check the filter regularly and clean the filter if it is dirty.

1. Empty the condensation container. → *Page 22*
2. Remove the filter.



3. Clean the filter under warm, running water.
You can also clean the filter in the dishwasher.
4. Slide in the filter as far as it will go.



5. Insert the condensation container. → *Page 22*

19 Troubleshooting






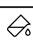

You can eliminate minor issues on your appliance yourself. Please read the information on eliminating issues before contacting Customer Service. This may avoid unnecessary repair costs.

WARNING

To avoid risk of injury from improper repairs, observe the following.

- ▶ Never make any technical modifications to the appliance or its features.

- ▶ Do not tamper with controls.
- ▶ Only qualified technicians or authorized service providers should perform repairs.
- ▶ Only genuine spare parts may be used to repair the appliance.
- ▶ If the power cord of this appliance becomes damaged, it must be replaced by the manufacturer, the manufacturer's Customer Service, or an authorized service provider in order to prevent injury.

Issue	Cause and troubleshooting
The display goes out and  flashes.	Energy-saving mode is active. ▶ Press  .
All other fault codes.	Operational fault 1. To restart the appliance, press and hold  for approximately 5 seconds. 2. If the fault occurs again, disconnect the appliance from the power supply for at least 30 seconds. Unplug the power plug or switch off the circuit breaker in the fuse box. 3. If the fault persists, call customer service. → <i>Page 31</i> Please specify the exact error message when calling. If possible, document the fault with photos and videos.
"Hot" and the drum rotates.	Not a fault. The cooling process is active. No action required. Note: Do not change the program during the cooling process. The cooling process takes up to 10 minutes.
 and program terminated.	The condensation container is full. ▶ Empty the condensation container. → <i>Page 22</i> The water outlet hose is not connected correctly, or is kinked or trapped. ▶ Check the installation of the water outlet hose. → <i>Page 10</i> Water outlet hose is blocked. ▶ Rinse the water outlet hose with tap water. The filter for the condensation container is soiled. ▶ Clean the filter for the condensation container. → <i>Page 28</i>
"CArE"	The basic appliance care program should be run. ▶ Run the basic appliance care program → <i>Page 26</i> .
	The lint screen is soiled. ▶ Clean the lint screen. → <i>Page 21</i>
	The water tank for the crease-removal function is empty. ▶ Fill the water tank. → <i>Page 23</i>
The display and buttons do not respond.	Software fault. 1. To restart the appliance, press and hold  for approximately 5 seconds. 2. If the fault occurs again, disconnect the appliance from the power supply for at least 30 seconds. Unplug the power plug or switch off the circuit breaker in the fuse box.
Home Connect® is not working properly.	Various causes are possible. 1. Reset the appliance network settings. → <i>Page 25</i> 2. Set up Home Connect® again. → <i>Page 24</i> ▶ Go to www.home-connect.com .

Issue	Cause and troubleshooting
Water overflows when filling the water tank.	<p>The water tank is completely full. No action required.</p> <p>Note: The overflowing water is harmless. Do not pour any more water into the water tank.</p> <hr/> <p>The water tank filter is soiled.</p> <ul style="list-style-type: none"> ▶ Clean the water tank filter.
The program does not start.	<p>The control panel lock is activated.</p> <ul style="list-style-type: none"> ▶ Deactivate the control panel lock. → <i>Page 23</i> <hr/> <p>Finish in is activated.</p> <ul style="list-style-type: none"> ▶ Check whether Finish in is activated. → <i>Page 16</i>
The program duration changes during the drying cycle.	<p>Not a fault. The program sequence is optimized electronically. No action required.</p>
The drying time is too long.	<p>The lint screen is soiled.</p> <ul style="list-style-type: none"> ▶ Clean the lint screen. → <i>Page 21</i> <hr/> <p>The ambient temperature is lower than 59 °F (15 °C) or higher than 86 °F (30 °C).</p> <ul style="list-style-type: none"> ▶ Ensure that the ambient temperature is between 59 °F (15 °C) and 86 °F (30 °C). <hr/> <p>The air circulation at the appliance's installation location is insufficient.</p> <ul style="list-style-type: none"> ▶ Ventilate the appliance's installation location. <hr/> <p>Insufficient condensation for the automatic self-cleaning function when permanently drying small loads of laundry or when permanently using the crease-removal function.</p> <ul style="list-style-type: none"> ▶ Regularly dry a load weighing more than 6.6 lbs (3 kg) of damp laundry until the program ends. <hr/> <p>The appliance's ventilation opening is blocked.</p> <ul style="list-style-type: none"> ▶ Ensure that the ventilation opening of the appliance is kept clear. <hr/> <p>The heat exchanger is soiled.</p> <ul style="list-style-type: none"> ▶ Run the basic appliance care program → <i>Page 26</i>.
The crease-removal function takes too long.	<p>A low ambient temperature extends the duration of the crease-removal function. No action required.</p>
Humming, whirring, or pumping noises.	<p>Not a fault. The compressor, compressor ventilation or condensation pump is active. No action required.</p>
Laundry is too damp.	<p>The selected program is unsuitable for the type of fabric.</p> <ul style="list-style-type: none"> ▶ Set a time program for subsequent drying. → <i>Page 17</i> <hr/> <p>The load is too large.</p> <ul style="list-style-type: none"> ▶ Observe the program's maximum load capacity. → <i>Page 16</i> <hr/> <p>After the end of the program, warm laundry feels damper than it actually is.</p> <ol style="list-style-type: none"> 1. Remove the laundry from the drum as soon as the drying program has finished. 2. Spread out the items of laundry to cool. <hr/> <p>The selected dryness level is unsuitable.</p> <ul style="list-style-type: none"> ▶ Change the dryness level. → <i>Page 23</i> <hr/> <p>The dryness level is not adjusted.</p> <ul style="list-style-type: none"> ▶ Adjust the dryness level. → <i>Page 23</i> <hr/> <p>The load is too small.</p> <ul style="list-style-type: none"> ▶ Set a time program for subsequent drying. → <i>Page 17</i> <hr/> <p>The moisture sensor is dirty.</p> <ul style="list-style-type: none"> ▶ Clean the moisture sensor. → <i>Page 27</i>

Issue	Cause and troubleshooting
Laundry is too damp.	The appliance has interrupted the drying process due to the condensation container being full. ▶ Empty the condensation container. → <i>Page 22</i>
Creasing.	The selected program is unsuitable for the type of fabric. ▶ Set a suitable program. → <i>Page 16</i>
	The load is unsuitable. ▶ Observe the program's maximum load capacity. → <i>Page 16</i> ▶ Prepare the laundry. → <i>Page 19</i>
	The laundry lies in the drum for too long after drying. 1. Remove the laundry from the drum as soon as the drying program has finished. 2. Spread out the items of laundry to cool.
	Easy Care fabrics have been dried for too long. ▶ Change or adjust the dryness level. → <i>Page 23</i>
	The crease-reduction function is not activated. ▶ Activate the crease-reduction function. → <i>Page 16</i>
Water is leaking from the appliance.	Appliance is not correctly aligned. ▶ Align the appliance. → <i>Page 12</i>
	Water outlet hose is not connected correctly. ▶ Check the installation of the water outlet hose. → <i>Page 10</i>
Odors have formed in the appliance.	Stubborn dirt in the appliance or an extended appliance downtime of more than one month. ▶ Run the intensive appliance care program. → <i>Page 26</i>

20 Transportation, storage and disposal

20.1 Disposal of your old appliance

Environmentally compatible disposal allows valuable raw materials to be recycled.

WARNING

Children can lock themselves in the appliance, thereby putting their lives at risk.

- ▶ Do not install the appliance behind a door as this may obstruct the appliance door or prevent it from opening.
- ▶ With redundant appliances, pull out the mains plug of the power cord, cut through the power cord and remove the appliance door.

WARNING

Although the refrigerant R290 used in this appliance is environmentally friendly, it is flammable and may ignite if appliances are not disposed of in the proper manner.

- ▶ Dispose of the appliance in the proper manner.
- ▶ Do not damage the pipes in the refrigerant circuit.

1. Unplug the appliance from the power supply.
2. Cut through the power cord.
3. Remove the appliance door.

4. Dispose of the appliance in an environmentally responsible manner.

Information about current disposal methods can be obtained from your specialist dealer or local authority.

21 Customer Service

With any warranty repair, we will make sure your appliance is repaired by an authorized service provider using genuine replacement parts. We use only genuine replacement parts for all repairs.

Detailed information on the warranty period and terms of warranty can be found in the Statement of Limited Product Warranty, from your retailer, or on our website.

If you contact Customer Service, you will need the model number (E-Nr.), the production number (FD) and the consecutive numbering (Z-Nr.) of your appliance.

USA:

1-800-944-2904

www.bosch-home.com/us/owner-support/get-support

www.bosch-home.com/us/shop

CA:

1-800-944-2904

www.bosch-home.ca/en/service/get-support

www.bosch-home.ca/en/service/cleaners-and-accessories

For assistance with connecting to Home Connect®, you can also view instructions here:

www.home-connect.com/us/en/help-support/set-up

21.1 Model number (E-Nr.), production number (FD) and consecutive numbering (Z-Nr.)

You can find the model number (E-Nr.), the production number (FD) and the consecutive numbering (Z-Nr.) on the appliance's rating plate.

Depending on the model, the rating plate can be found:

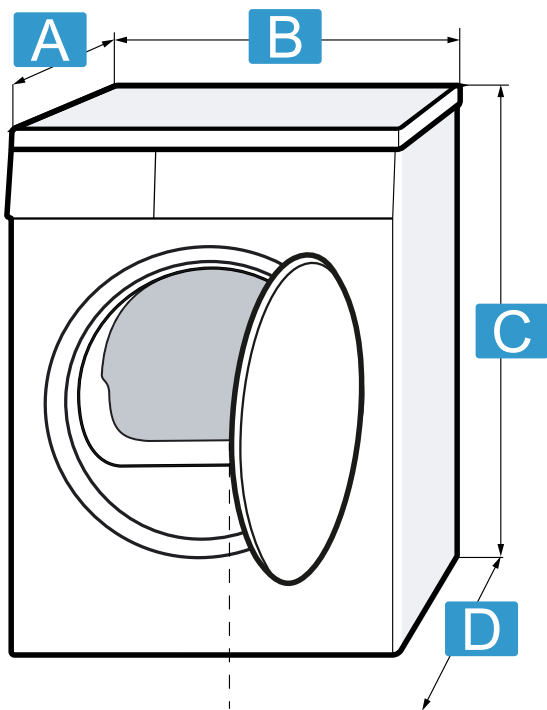
- on the inside of the door.
- on the inside of the service flap.
- on the backside of the appliance.

Making a note of your appliance's details and the Customer Service telephone number will enable you to find them again quickly.

22 Technical specifications

Weight	106.9 lbs (54.7 kg)
Drum volume	4.0 ft ³
Mains voltage	208-240 V, 60 Hz
⇌ Minimum installation protection	10 A
Power rating	1000 W
Ambient temperature	<ul style="list-style-type: none"> ■ Minimum: 41 °F (5 °C) ■ Maximum: 95 °F (35 °C)
Length of the power cord	63 3/8" (161 cm)

Appliance dimensions



- A** Appliance depth: 24 1/8" (61.3 cm)
Appliance depth with door closed: 26" (65.1 cm)
- B** Appliance width: 23 1/2" (59.8 cm)
- C** Appliance height¹: 33 1/4" (84.2 cm)
- D** Appliance depth with door open: 43 1/2" (110.5 cm)

¹ When aligning the appliance, the appliance height may increase by up to 5/8" (1.5 cm).

22.1 Information regarding Free and Open Source Software

This product includes software components that are licensed by the copyright holders as free or open source software.

The applicable license information is stored on your home appliance. You can also access the applicable license information via your Home Connect® app: "Profile -> Legal information -> License Information".¹ You can download the license information on the brand product website. (Please search on the product website for your appliance model and additional documents). Alternatively, you can request the relevant information from ossrequest@bshg.com or BSH Hausgeräte GmbH, Carl-Wery-Str. 34, 81739 Munich, Germany.

The source code will be made available to you on request. Please send your request to ossrequest@bshg.com or BSH Hausgeräte GmbH, Carl-Wery-Str.34, 81739 Munich, Germany.

Subject: „OSSREQUEST“

The cost of performing your request will be charged to you. This offer is valid for three years from the date of purchase or at least as long as we offer support and spare parts for the relevant appliance.

¹ Depending on the appliance specifications



A series of horizontal lines for writing, starting from the top of the page and extending downwards. The lines are evenly spaced and cover most of the page's width.



Register your appliance to enjoy customized benefits.

Thank you for being a Bosch customer!
Simply create a MyBosch account, then register your appliance.
You'll find a variety of customized information in MyBosch such as:

- **Discounts for filters, cleaners, accessories & parts**
- **Easy access to manuals & appliance specifications**
- **Easy access to part lists**
- **Customized offer for the Bosch Appliance Service Plan (sent by mail after appliance registration)**

Register here:

www.bosch-home.com/us/owner-support/mybosch

BOSCH
HOME APPLIANCES
SERVICE

Looking for help? You'll find it here.

No matter what, no matter when: Bosch is here to support you.
We're here to assist with usage instructions, cleaning tips,
accessories & parts, troubleshooting, and repairs.
Find online resources such as FAQs, how-to-videos, manuals,
warranties and authorized Bosch servicers at:

www.bosch-home.com/us/owner-support/get-support

Contact us:

Please have your Model Number (E-Nr) ready when contacting us.

1-800-944-2904

www.bosch-home.com/us/owner-support/contact-us

BSH Home Appliances Corporation

1901 Main Street, Suite 600

Irvine, CA 92614

USA

www.bosch-home.com

1-800-944-2904

© 2025 BSH Home Appliances Corporation



9001931458 (050910)

en-us