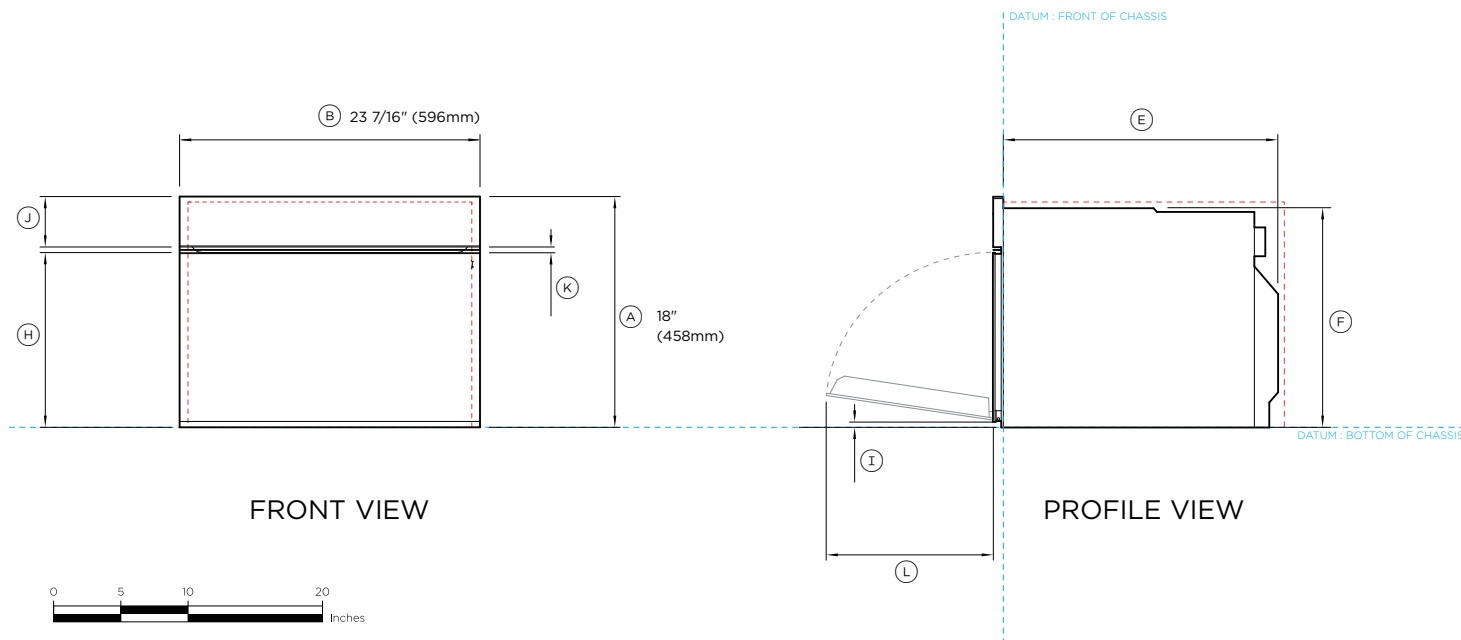
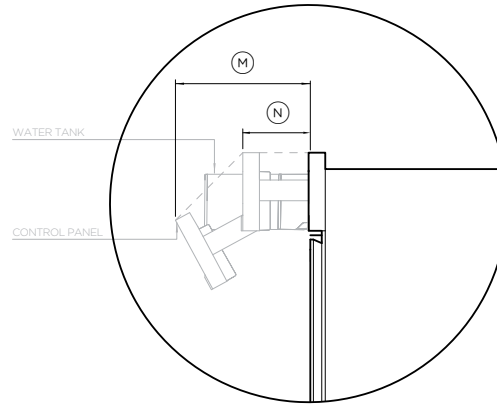


PLAN VIEW



FRONT VIEW

PROFILE VIEW

Model no:

Combination Steam Oven, 24" - OS24NMTNB1

Product Dimensions

	inch	mm
A Overall height of product	18	458
B Overall width of product	23 7/16	596
C Depth of control panel	13/16	20
D Depth of chassis and control panel	22 1/4	565
E Depth of chassis	21 7/16	545
F Height of chassis	17 1/8	435
G Width of chassis	21 7/8	556
H Height from bottom datum to top of oven door	13 11/17	347
I Height from bottom datum to bottom of door	1/2	12
J Height of control panel	3 15/16	100
K Gap between door and control panel	7/16	11
L Depth of door when open (measured from front of door)	12 5/8	320
M Control panel fully open (measured from front of door)	6 11/16	170
N Control panel half open (measured from front of door)	3 5/16	84
O Water tank carriage fully open (measured from front of door)	5 1/4	133

Minimum Clearances - Flush Installation

	inch	mm
Minimum inside height of cavity	17 5/16	440
Minimum inside width of cavity	22 1/16	560
Minimum inside depth of cavity	21 5/8	550
Minimum clearances above oven control panel to upper cabinetry front panel or appliance	1/16	2
Minimum clearances between bottom of oven chassis to lower cabinetry front panel or appliance	1/16	2

Ensure a 3/16" (5mm) minimum clearance is maintained between the top of the oven chassis and the cabinetry. Ensure the oven is not bearing any weight from cabinetry or products installed above.

IMPORTANT NOTE: For full installation and clearance details please refer to our installation manual.

INDICATES CABINETRY / PRODUCT DATUM -----
 INDICATES CABINETRY CLEARANCES - - - - -

IMPORTANT NOTE: Throughout this guide, dimensions may vary by ±2mm (1/16"). Please read the Installation Guide for detailed information on installing the product. For full installation instructions visit fisherpaykel.com