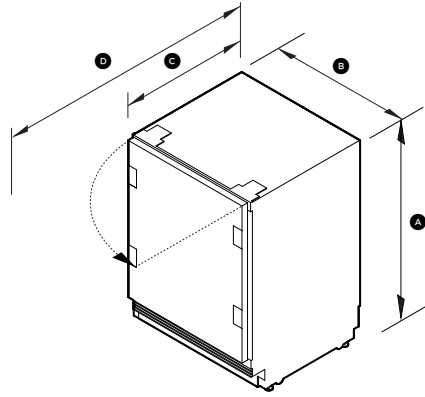


**SPECIFICATIONS**

<b>Model No.</b>	RS2435V2RT1, RS2435V2R1
<b>Product Dimensions</b>	H 34 - 35 7/16" W 23 5/16" D 22 13/16
<b>Electrical</b>	
Supply	115 V, 60 Hz
Service	10 A

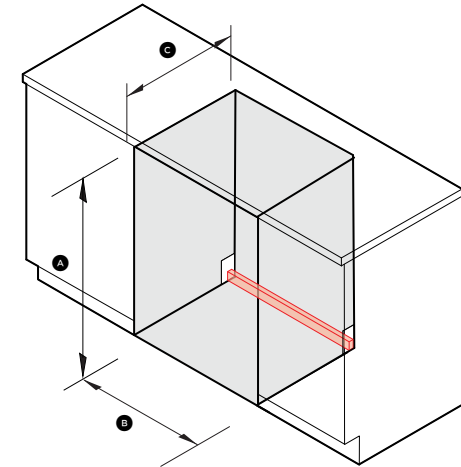
**PRODUCT DIMENSIONS**



	inch	mm
Ⓐ Overall height	34 - 35 7/16	864 - 900
Ⓑ Overall width	23 5/16	592
Ⓒ Overall depth*	22 13/16	579
Ⓓ Overall depth with the door open*	47 1/4	1200
Height from floor to bottom of door panel**	9/16 - 5 15/16	15 - 150
Depth of toe kick (excl. front door and toe kick panels)**	2 - 4	50 - 100
Splitline heights achievable (height from floor to top of door panel)	33 7/8 - 35 5/16	861 - 897

Maximum custom door panel thickness of 3/4" (19mm)  
 \*Excluding door panel and handle  
 \*\*Applies to custom door panels  
 \*\*\* The grille becomes visible at heights over 100mm

**CAVITY DIMENSIONS: STANDARD INSTALLATION**



	inch	mm
Ⓐ Height	34 - 35 7/16	864 - 900
Ⓑ Minimum width	23 5/8	600
Ⓒ Minimum overall cavity depth with service to the side	23 5/8	600
Ⓒ Minimum overall cavity depth with service behind	25 9/16	650
<b>Service area</b>	<b>H 1 7/16" x W 23 5/8" x D 13/16"</b>	

The models shown in this Planning Guide may not be available in all markets and are subject to change at any time. Product specifications may vary from those shown. This Planning Guide should not be used as installation guidance for any product. Further information is required to safely and correctly install the products featured here. Specific installation guidance will be available soon on our website [fisherpaykel.com](http://fisherpaykel.com)