



OWNER'S MANUAL GUIDE DE L'UTILISATEUR

Please read the manual carefully and keep it safe for future maintenance.
VEUILLEZ LIRE ATTENTIVEMENT CE MANUEL
ET LE CONSERVER PRÉCIEUSEMENT AU CAS DE BESOIN.

Table Of Contents



Safety Precautions and Usage Statements1-2
Parts List	3
Base Overview	4
Quick Reference Guide5
Installation Guide6-8
Remote Control	9
Syncing Two Bases10
Emergency Battery Backup11
Troubleshooting12
Warranty	13-14

Safety Precautions and Usage Statements



ATTENTION: IMPORTANT SAFETY DISCLAIMERS

Read all instructions before using your Sleepbeat

SAVE THESE INSTRUCTIONS.

1. TO REDUCE THE RISK OF SHOCK, BURNS, FIRE OR INJURY:

- 1.1 Always unplug the base from the electrical outlet before servicing any part of the base. To reduce risk of electric shock, unplug the base before cleaning. To safely disconnect, ensure the base is in a flat position with all motors off, and unplug from power source.
- 1.2 Keep the power cord away from heated surfaces. Never operate the base when the air openings are blocked. Keep air openings free of lint, hair and the like. Do not drop or insert any object into any opening.
- 1.3 Discontinue use of the bed base and contact a qualified service center if: it has a damaged cord or plug, is not working properly, or has been dropped into water.
- 1.4 Only use this bed base for its intended use as described in this manual. Do not use accessories/attachments that are not recommended by the manufacturer.
- 1.5 Close supervision is required when the bed base is used by or near children, convalescents or disabled persons

2. IN-HOME USE AND HOSPITAL DISCLAIMER:

- 2.1 The Sleepbeat bed base is designed solely for in-home use. This base was not designed as a hospital bed and is not designed to meet hospital standards. Do not use this base with TENT TYPE oxygen therapy equipment or near explosive gases.

3. OUTLET SAFETY:

FOR OPTIMAL SAFETY AND OPERATION, PLUG BED BASE INTO A SURGE PROTECTOR (NOT INCLUDED).

- 3.1 The bed base should only be plugged directly into a wall outlet or surge protector (recommended). Improper connection of the equipment can result in the risk of electrical shock, electrical fire or faulty operation of this bed base. If the plug does not fit your outlet, contact a qualified electrician to install a suitable outlet. Unauthorized modification or failure to use a wall outlet or surge protector could void the electrical portion of your warranty

4. SAFETY FEATURES:

- 4.1 Manual operation - If something gets caught in the platform when flattened, you can manually raise the platform up by lifting at both the head and foot to relieve pressure and allow for release.
- 4.2 Power outage- Use the "Emergency Battery Backup Box" as a temporary power source to get the base to a desired position. Instructions on how to operate the Battery Backup Box are on the Emergency Battery Backup page(s).

5. WARRANTY WARNING:

- 5.1 Do not open or tamper with control box, motors, or remote (with the exception of battery compartments). The warranty will be void if the internal workings of these components are tampered with.
- 5.2 For complete warranty information refer to the warranty information section on pages 13-14.

6. CHILDREN AND PETS:

- 6.1 Children and pets can be crushed or killed if they become entrapped in moving parts of the bed. Before you reposition the base, check to be sure children and small pets are not near or under the base. Do not teach children to operate the remote.
- 6.2 Immediately dispose of all packaging materials as they may pose a smothering risk to small children and pets.

7. POWER RATINGS:

INPUT: AC 100-240V 50/60 Hz 1.5A
OUTPUT: DC 29V 2A
WATTS: 58W

8. PRODUCT RATINGS:

- 8.1 The lift motors are not designed to operate continuously for more than two [2] minutes in an eighteen [18] minute time period or approximately 10% duty cycle. Attempting to circumvent or exceed this rating will shorten the life expectancy of the product and may void the warranty.

Safety Precautions and Usage Statements



9. WEIGHT LIMITS:

- 9.1 The recommended weight limits on the Sleepbeat are: Twin / Twin Long / Full / Queen / King / Cal King / Cal King Split : 750 pounds (Including mattress) .
- 9.2 Maximum weight the bed can support per person is 250 pounds with the weight evenly distributed across the head and foot sections. This product is not designed to support or lift this amount of weight in the head or foot sections alone. NOTE: Exceeding the recommended weight restrictions could damage your Sleepbeat and void your warranty. For best performance, you should enter and exit the Sleepbeat while it is in the flat or fully lowered position.
- 9.3 Sleepbeat fits easily inside bed frames, furniture beds and platform beds that are certified to hold a minimum of 850 pounds. If using this adjustable base without the legs and placing directly on a bed frame or platform bed, cross-bed supports (slats) are strongly recommended to ensure Sleepbeat maintains stability during operation.

EXCEEDING THIS WEIGHT RESTRICTION COULD DAMAGE THE BED AND/OR CAUSE INJURY AND WILL VOID THE WARRANTY.

10. ACOUSTICS:

- 10.1 In normal base operation the wheels, which allow the bed to maintain its distance from the wall, will make contact with the steel platform supports of the base creating a contact noise. When entering, exiting or shifting weight on the base, this contact noise may be audible as the wheels make contact. This is normal.

11. FABRIC CARE:

- 11.1 To prolong the life of your fabric, protect from direct sunlight whenever possible. For spot cleaning, wipe area with a light damp sponge or vacuum with a soft brush attachment to remove particles. Keep at a minimum of 30cm (12 inches) away from direct heat sources.
- 11.2 For deeper cleaning, blot liquid spills with a clean dry cloth. Wipe with a clean cloth dampened with warm water. Do not wet excessively. A soft bristle brush may be used to remove ingrained soil. Avoid scratching by gentle brushing. Wipe with a clean cloth dampened with warm water to remove residues after brushing. Dry in shade away from direct heat.
- 11.3 If persistent marks remain visible after cleaning, seek professional advice.

SAVE THESE INSTRUCTIONS.

FCC COMPLIANCE:

NOTE: This equipment has been tested and found to comply with the limits for a Class B digital device, pursuant to part 15 of the FCC Rules.

These limits are designed to provide reasonable protection against harmful interference in a residential installation. This equipment generates, uses and can radiate radio frequency energy and, if not installed and used in accordance with the instructions, may cause harmful interference to radio communications. However, there is no guarantee that interference will not occur in a particular installation. If this equipment does cause harmful interference to radio or television reception, which can be determined by turning the equipment off and on, the user is encouraged to try to correct the interference by one or more of the following measures:








- Reorient or relocate the receiving antenna.
- Increase the separation between the equipment and receiver.
- Connect the equipment into an outlet on a circuit different from that to which the receiver is connected.
- Consult the dealer or an experienced radio/TV technician for help.

Parts List



BEFORE DISCARDING THE PACKING MATERIALS, ENSURE ALL THE PARTS ARE ACCOUNTED FOR.

ALL ELECTRONICS AND COMPONENTS THAT NEED TO BE INSTALLED ARE LOCATED IN BOXES UNDER THE BASE OR ATTACHED TO THE

 <p>Wireless Remote Control (1) AAA Batteries (2)</p>	<p>A*</p>  <p>Mattress Retainer Bar (1)</p>	<p>B*</p>  <p>Legs (6)</p>	<p>C*</p>  <p>AC Cable (1)</p>
<p>E*</p>  <p>Power Supply (1)</p>	<p>F*</p>  <p>Connecting Strap(1)</p>	<p>G*</p>  <p>Sync-Cord (1)</p>	

MISCELLANEOUS PARTS (NOT INCLUDED):

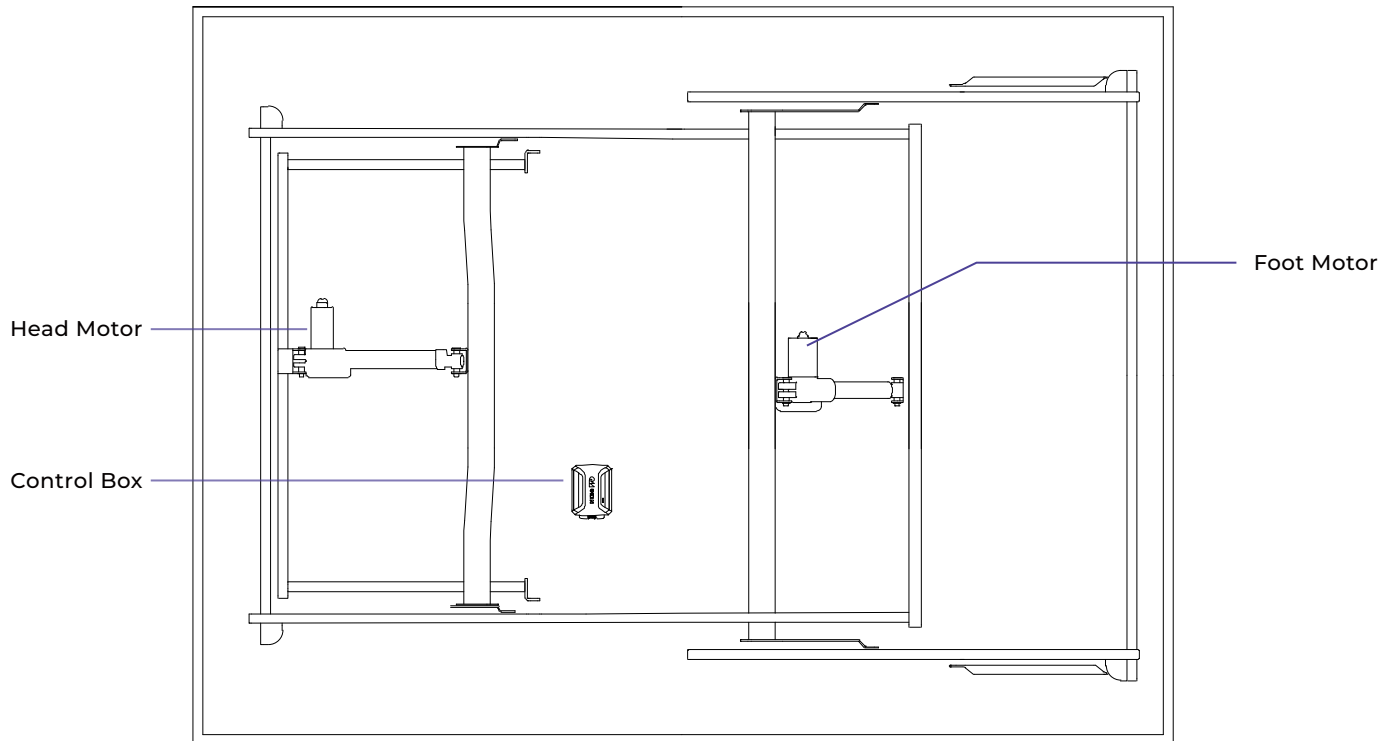
- Surge Protector (1)
- 9 Volt Batteries (2)

* THESE ITEMS ARE ATTACHED TO THE BASE FOR SHIPPING PURPOSES, CAREFULLY REMOVE THEM FROM THE BASE AND SET THEM ASIDE.
F*G*ONLY INCLUDED IN TWIN LONG AND CAL KING SPLIT BASES.

Base Overview



ACTUAL PRODUCT DESIGN MAY VARY

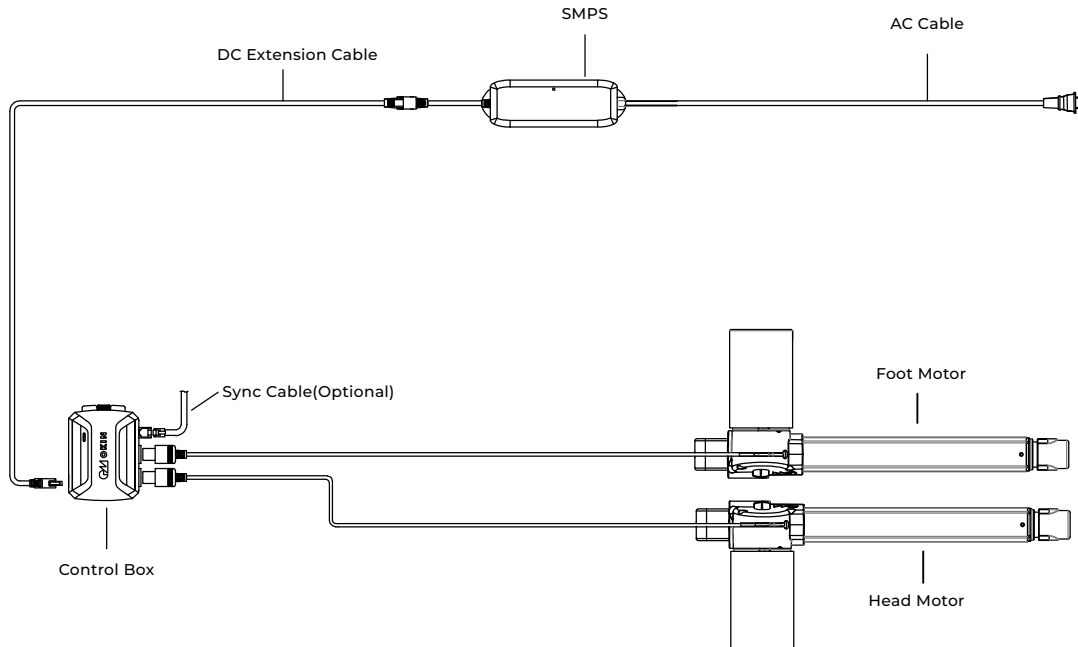


Quick Reference Guide

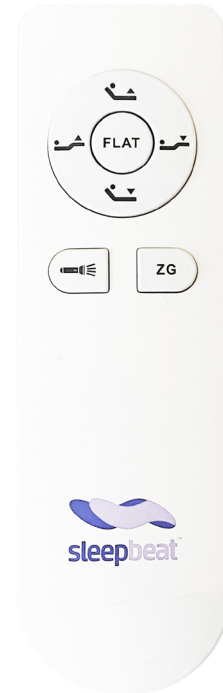


NOT TO SCALE. FOR ILLUSTRATION PURPOSES ONLY. READ ALL INSTRUCTIONS BEFORE BEGINNING INSTALLATION.

ELECTRONICS OVERVIEW



REMOTE CONTROL



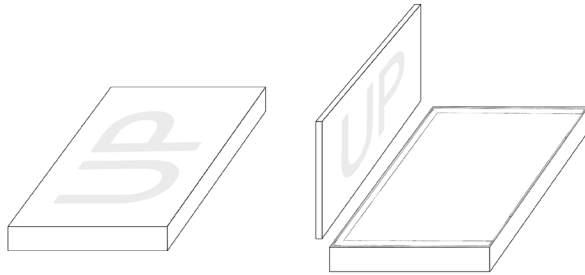
IF INSTALLING A SPLIT UNIT, SEE PAGES 10

Installation Guide

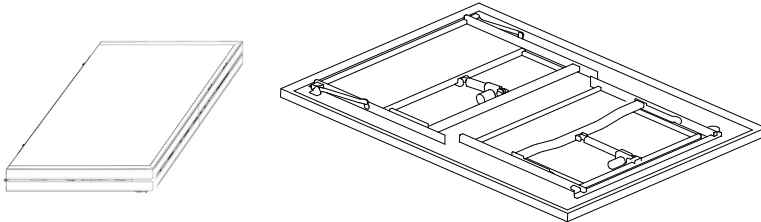


ALWAYS USE TWO PEOPLE WHEN SETTING UP THE BASE.

1 Open the box cover.

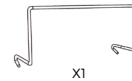


2 Unfold the bed, take out all the accessories from the packaging and put them aside.



3 Take out all the accessories from the packaging and put them aside

Mattress Retainer Bar



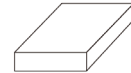
X1

Connecting Strap



X1

Accessories box



Remote Control



X1

legs



X6

AC Cable



X1

Power supply



X1

Sync-Cord

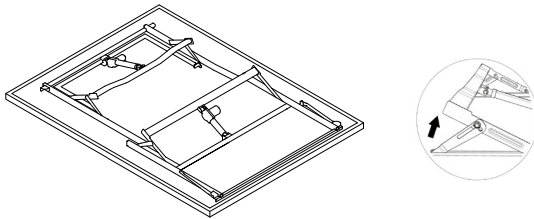


X1

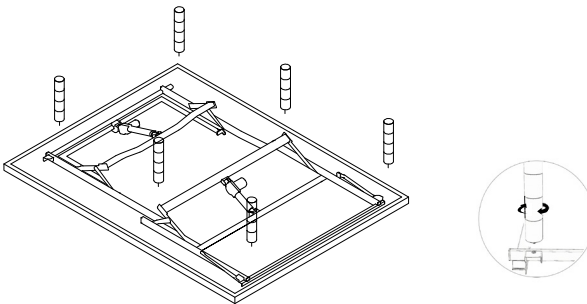
Installation Guide



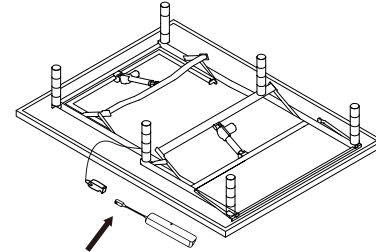
- 4** When all attachments remove, pull up the motor to install the horizontal pipe, a "click" sound indicates the deployment is place.



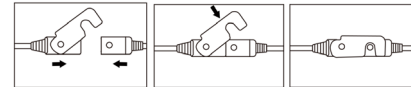
- 5** Install 6 legs, make sure the legs are right.



- 6** Uncoil input Power Cord (connected to control Box's power port) and plug into Power Supply.



Connection method as illustrated.



- 7** Carefully flip the base over onto its legs.
Important: Always use two people when setting up, moving or flipping the base. Do not drag across the floor. Do not rest frame on its side, excessive pressure may damage the legs.

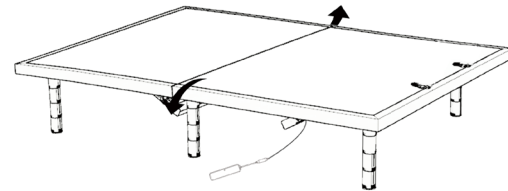
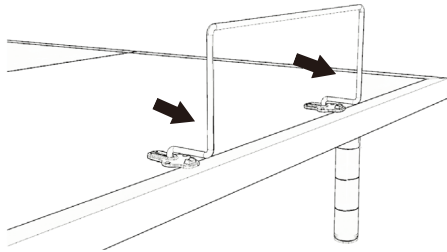


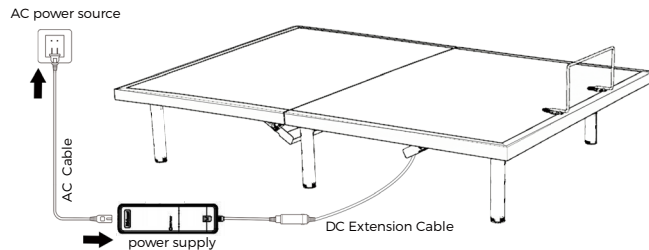
Table Of Contents



- 8** To install the mattress retainer bar, insert each end of the bar.

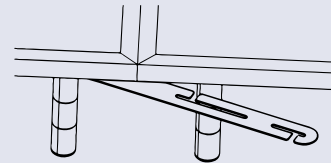


- 9** The AC power cord connect the the power supply and then connect the AC power source. Insert the batteries into the remote control. Setup is now complete! Test all functions on remote.



Connecting Straps (optional)

- 1** With the bases in their desired location, slightly loose both legs to allow the strap to fit on the leg bolt between the leg washer and frame.



- 2** Slide side (a) of the connecting strap onto leg bolt. Swing the strap and connect side (b) to the leg bolt. Secure the strap by shifting to the left.

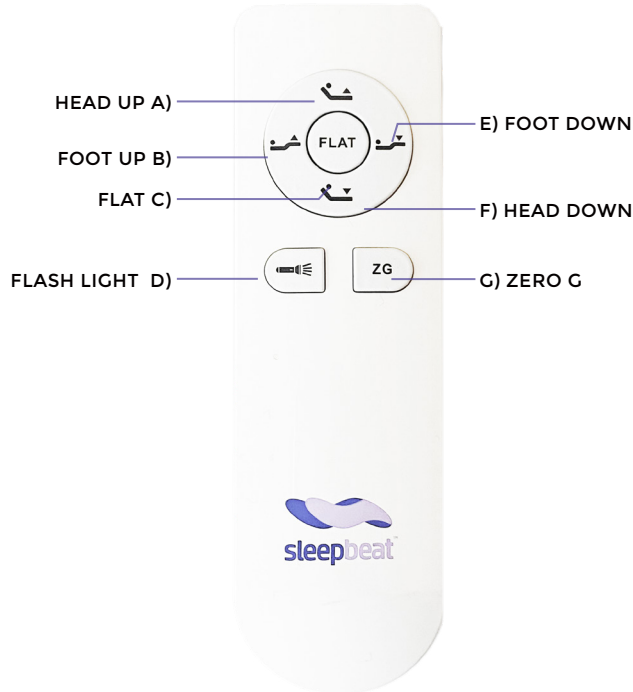


- 3** Re-tighten legs. Do not over tighten. Use the remaining strap and repeat on other end of the base.

Remote Control



REMOTE CONTROL ARRIVES PAIRED TO THE ADJUSTABLE BASE.
TWO (2) AAA BATTERIES ARE REQUIRED TO OPERATE THE REMOTE.



PARING SET UP

STEP 1: Unplug the power cord ,power on after 5s .control box indicator light turns blue,under bed light flashes (If the under bed light is installed), control box enters into pairing mode.

STEP 2: Press and hold the remote HEAD UP+HEAD DOWN button, remote backlight flashes, the remote enters into pairing mode,until remote backlight stops flashing and stays on, and control box indicator light turns green (or under bed light stops flashing and goes out), pairing is

IMPORTANT: FOR YOUR SAFETY, READ THE OWNER'S MANUAL CAREFULLY AND COMPLETELY BEFORE OPERATING THIS PRODUCT.

Syncing Two Bases

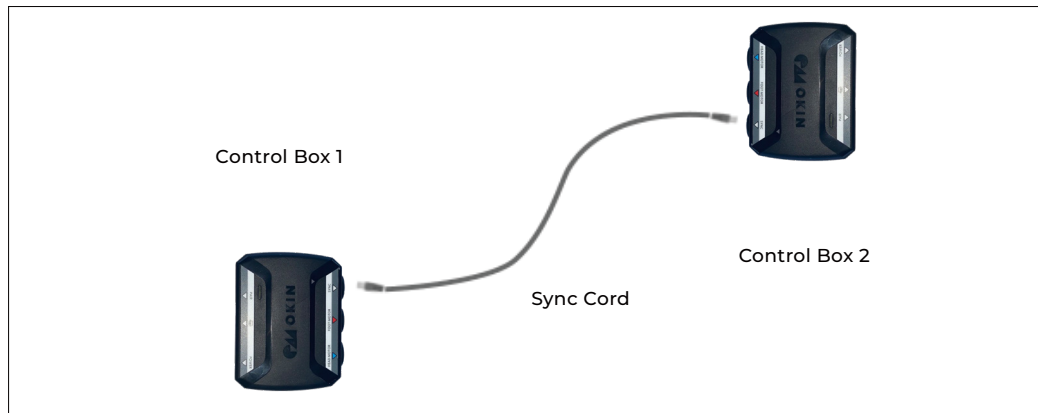


STEP 1: Unplug bases from power source.

STEP 2: Connect the Sync Cord to the Multifunction port of each Control Box.

STEP 3: Plug bases back into the power source.

STEP 4: Check to ensure all cords are securely attached, and you can use the paired remote to control the two beds.



PERFORMANCE NOTES

If bases become mismatched, pressing the FLAT button will re-sync the mechanical

THE SYSTEM IS NOW LINKED. BUTTONS PRESSED ON EITHER REMOTE WILL CONTROL BOTH BASES SIMULTANEOUSLY.

Emergency Battery Backup

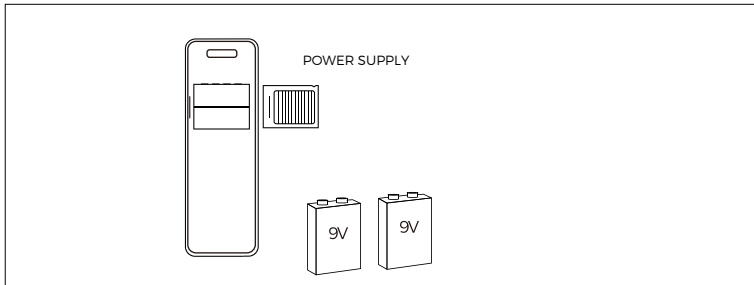


TWO (2) 9 VOLT BATTERIES ARE REQUIRED TO OPERATE THE BATTERY BACK UP BOX AND ARE NOT INCLUDED.

STEP1: Disconnect the Power Supply from the input power cord.

STEP2: Connect the Battery Backup Strap to the (2) Alkaline 9 Volt batteries. Do not mix brand name Batteries.

STEP3: Put the backup battery into the power battery compartment.



STEP4: Use the remote control to lower the base.

Troubleshooting



SYMPTOMS	SOLUTIONS
IF ONE OR MORE FUNCTIONS ON THE BED BASE HAVE STOPPED OPERATING	ADJUSTABLE BASE Check under the bed base to verify that the wired connections are secure and that there are no cords or bedding obstructing the movement of the base. Check to ensure the LED light is illuminated on the control box. If there is no light, verify that the input and power cords are properly connected. Unplug the base for 1 minute to reset the electronic components.
	REMOTE CONTROL Ensure that your remote batteries are properly installed or do not need replacing. Ensure that the remote control is paired to the bed base.

If issue is not resolved by following the instructions above, locate serial number on manual and base frame and call Customer Service:877-525-2166.

Warranty Information



FULL 2-YEAR WARRANTY

The Adjustable Base is warranted against defects in materials or workmanship for a period of two years from the date of purchase to the original purchaser. During such time, the manufacturer will repair or replace, at no cost to the original Purchaser, any warranted part(s) found to be defective by the manufacturer, in its sole discretion. This includes all pre-authorized labor and transportation costs incurred with the repair or replacement of any part found to be defective. This warranty does not apply to floor models.

5-YEAR WARRANTY ON PARTS

During year 3 through year 5, from the original purchase date, manufacturer will replace any bed part, to the original purchaser, found to be defective. Liability of manufacturer is limited to the replacement of the defective part or parts ONLY with purchaser responsible for all services, installation and transportation costs of said part(s). This warranty does not apply to floor models.

10-YEAR LIMITED WARRANTY: FRAME ONLY

Notwithstanding the above, the manufacturer extends a 10-year warranty on mechanical base parts found to be defective on a limited basis as defined herein. Specifically, the manufacturer warrants that for a full 10 years from the commencement date of this warranty, any defect in the workmanship or the materials used shall be covered. For purposes of this 10-year warranty, it specifically excludes the cover, shroud, platform, legs, actuator lift motors, massage motors, control box, remote controls, power supply, and all power supply cords. The manufacturer's liability shall be limited to the replacement of the defective part(s) ONLY with the purchaser responsible for all service, installation and freight costs for said part. This warranty does not apply to floor models.

1-YEAR FLOOR MODEL WARRANTY

The adjustable base floor model is warranted against defects in the electronics for a period of one year from the date of purchase to the original Purchaser. During the first year, the manufacturer will replace at no cost to the original Purchaser, any defective electronic part(s). The manufacturer's liability is limited to the replacement for the defective electronic part(s)

ADDITIONAL TERMS AND CONDITIONS

This warranty does not include reimbursement/replacement for inconvenience, removal, part(s) installation, bed set up, loss of use, normal wear and tear, shipping or any other costs or expenses not expressly covered in this warranty. In addition, this warranty shall be void in the following circumstances:

- A. Damage resulting from misuse or abuse caused by the Purchaser or any third party.
- B. Damage caused by repairs or parts replacement by an unauthorized person.
- C. Damage caused if the adjustable base has been mishandled (including during shipping), subject to physical abuse or an improper power supply, or by failing to adhere to the Owner's Manual and this warranty.
- D. Damaged mattresses, foundation cover(s), fabric(s), bedding cables, electrical cords or accessories supplied by dealers or any third party. Contact your dealer for warranty information on these items.
- E. Modification of the adjustable base without prior written consent by the manufacturer.
- F. Costs for unauthorized service calls for the purpose of educating the consumer about the adjustable base or locating proper functioning power outlets.

Warranty Information



- G. Damage if the recommended weight restrictions are exceeded.
- H. Damage if used in any environment or a commercial setting which was not intended.
- I. This warranty requires notice to be given to Sleepbeat of any claim for repairs or replacement parts.
- J. Damage to foam shroud by improper handling or misuse.

*Parts include the following:

- a) Head/Foot Actuator
- b) Massage Motors and Housing
- c) Control Box
- d) Remote Control
- e) Power Cord, Power Supply, and Input Cord
- f) Mounting Brackets
- g) Support Struts

OTHER THAN AS EXPRESSLY SET OUT HEREIN, AND TO THE EXTENT PERMITTED BY APPLICABLE LAW, THIS WARRANTY IS EXCLUSIVE AND IN LIEU OF ALL OTHER ORAL OR WRITTEN WARRANTIES, REPRESENTATIONS, CONDITIONS OR PROMISES, WHETHER EXPRESS OR IMPLIED, AND WHETHER ARISING BY LAW, STATUTE, COURSE OF DEALING OR USAGE OF TRADE, INCLUDING, BUT NOT LIMITED TO, IMPLIED WARRANTIES AND CONDITIONS OF MERCHANTABILITY, QUALITY, DURABILITY AND/OR FITNESS FOR A PARTICULAR PURPOSE. TO THE EXTENT PERMITTED BY APPLICABLE LAWS, ANY IMPLIED WARRANTIES (IF APPLICABLE) ARE LIMITED IN DURATION TO THE DURATION OF THIS WARRANTY. TO THE EXTENT PERMITTED BY APPLICABLE LAW, IN NO EVENT SHALL THE MANUFACTURER BE LIABLE FOR ANY SPECIAL, INCIDENTAL, PUNITIVE, EXEMPLARY, CONSEQUENTIAL, LIQUIDATED OR SIMILAR DAMAGES, WHETHER OR NOT FORESEEABLE.

This warranty is for the benefit of the original purchaser only and is non-transferable. This warranty is only valid in United States and Canada. The benefits given to the original purchaser (who is a consumer) under this warranty are in addition to other rights and remedies available to the consumer under the law.

Working Weight Limits:

This product is not rated to support weights exceeding 750 lbs . This product is not rated to support weights in excess of 750 lbs inclusive of the mattress and bedding. The base will structurally support this weight, provided it is evenly distributed across the bed base. The adjustable base is not designed to support or lift this amount in the head or foot sections alone. Exceeding this weight restriction could damage the bed and/or cause injury and will void the warranty. Please note: Weight limits, as published above include the weight of the mattress.

Table des matières



Mesures de sécurité et déclarations d'utilisation	17-18
Liste des pièces	19
Aperçu de la base de lit	20
Guide de référence rapide	21
Guide d'installation	22-23
Télécommande	24
Synchroniser deux bases de lit	25
Batterie de secours d'urgence	26
Dépannage	27
Information de garantie	28-29

Mesures de sécurité et déclarations d'utilisation



ATTENTION: IMPORTANTS AVERTISSEMENTS DE SÉCURITÉ

Lisez toutes les instructions avant d'utiliser votre base de lit Sleepbeat.

CONSERVEZ CES INSTRUCTIONS.

1. AFIN DE RÉDUIRE LE RISQUE D'ÉLECTROCUTION, DE BRÛLURES, D'INCENDIE OU DE BLESSURES:

- 1.1 Débranchez toujours la base de la prise électrique avant de procéder à l'entretien de toute partie de la base de lit. Pour réduire le risque de décharge électrique, débranchez la base de lit avant de la nettoyer. Pour déconnecter en toute sécurité, assurez-vous que la base de lit est positionnée à plat et que tous les moteurs sont éteints et débranchés de la source d'alimentation.
- 1.2 Maintenez le cordon d'alimentation éloigné des surfaces chauffées. N'utilisez jamais la base de lit lorsque les ouvertures d'aération sont obstruées. Gardez les ouvertures d'aération exemptes de peluches, de cheveux et autres. Ne laissez pas tomber ou n'insérez aucun objet dans une ouverture.
- 1.3 Cessez d'utiliser la base de lit et contactez un centre de service qualifié si : il y a un cordon ou une prise endommagés, ne fonctionne pas correctement ou est tombé dans l'eau.
- 1.4 N'utilisez cette base de lit que pour l'usage auquel elle est destinée, tel que décrit dans ce manuel. N'utilisez pas d'accessoires qui ne sont pas recommandés par le fabricant.
- 1.5 Une surveillance étroite est requise lorsque la base de lit est utilisée par ou à proximité d'enfants, de convalescents ou de personnes handicapées.

2. UTILISATION À DOMICILE ET AVIS DE NON-RESPONSABILITÉ À L'HOPITAL:

- 2.1 La base de lit Sleepbeat est conçue uniquement pour un usage domestique. Cette base n'a pas été conçue comme un lit d'hôpital et n'est pas conçue pour répondre aux normes hospitalières. N'utilisez pas cette base avec un équipement d'oxygénothérapie de TYPE TENTE ou à proximité de gaz explosifs.

3. SÉCURITÉ DES PRISES ÉLECTRIQUES:

POUR UNE SÉCURITÉ ET UN FONCTIONNEMENT OPTIMAUX, BRANCHEZ LA BASE DE LIT SUR UNE BARRE DE PROTECTION CONTRE LES SURTENSIONS (NON INCLUS).

- 3.1 La base de lit doit uniquement être branchée directement sur une prise murale ou un parasurtenseur (recommandé). Une connexion incorrecte de l'équipement

peut entraîner un risque de choc électrique, d'incendie électrique ou de fonctionnement défectueux de cette base de lit. Si la fiche ne correspond pas à votre prise, contactez un électricien qualifié pour installer une prise adaptée. Modification non autorisée ou non-utilisation d'une prise murale ou un parasurtenseur pourrait annuler la partie électrique de votre garantie.

4. DISPOSITIFS DE SÉCURITÉ:

- 4.1 Fonctionnement manuel – Si quelque chose se coince dans la plate-forme lorsque mise en position plate, vous pouvez soulever manuellement la plate-forme en soulevant à la fois la tête et le pied pour soulager la pression et permettre le dégagement.
- 4.2 En cas de panne de courant, Utilisez le « boîtier de secours de la batterie d'urgence » comme solution temporaire. source d'alimentation pour amener la base à la position souhaitée. Les instructions d'utilisation du boîtier de batterie de secours se trouvent sur les pages de la batterie de secours d'urgence.

5. AVERTISSEMENT AU SUJET DE LA GARANTIE:

- 5.1 Ne pas ouvrir ou altérer le boîtier de commande, les moteurs ou la télécommande (à l'exception des compartiments à piles). La garantie sera annulée si le fonctionnement interne de ces composants sont altérés.
- 5.2 Pour des informations complètes sur la garantie, reportez-vous à la section Informations sur la garantie à la page 28-29.

6. ENFANTS ET ANIMAUX :

- 6.1 Les enfants et les animaux domestiques peuvent être écrasés ou tués s'ils sont piégés dans les pièces mobiles du lit. Avant de repositionner la base de lit, assurez-vous que les enfants et les petits animaux domestiques ne sont pas à proximité ou sous la base. N'apprenez pas aux enfants à utiliser la télécommande.
- 6.2 Jetez immédiatement tous les matériaux d'emballage car ils peuvent présenter un risque d'étouffement pour les jeunes enfants et les animaux domestiques.

7. PUISSANCE NOMINALE :

INPUT: AC 100-240V 50/60 Hz 1.5A
OUTPUT: DC 29V 2A
WATTS: 58W

Mesures de sécurité et déclarations d'utilisation



8. ÉVALUATIONS DU PRODUIT :

8.1 Les moteurs de levage ne sont pas conçus pour fonctionner en continu pendant plus de deux [2] minutes dans une période de temps de dix-huit [18] minutes ou un rapport cyclique d'environ 10 %. Tenter de contourner ou de dépasser cette cote raccourcira la durée de vie du produit et peut annuler la garantie.

9. LIMITES DE POIDS :

9.1 Les limites de poids recommandées sur les bases de lit Sleepbeat sont les suivantes : Twin / Twin Long / Full / Queen / King / Cal King / Cal King Split : 750 livres (matelas compris).

9.2 Le poids maximum que le lit peut supporter par personne est de 250 livres avec le poids uniformément réparti sur les sections de la tête et des pieds. Ce produit est non conçu pour supporter ou soulever cette quantité de poids uniquement dans la partie au niveau de la tête ou uniquement dans la partie au niveau du pied seulement. **REMARQUE :** Le dépassement des restrictions de poids recommandées peut endommager votre base de lit Sleepbeat et annuler votre garantie. Pour de meilleures performances, vous devez entrer et sortir de la base de lit Sleepbeat alors qu'il est en position plate ou complètement abaissée.

9.3 Sleepbeat s'intègre facilement dans les cadres de lit, les lits de meubles et les lits plateformes certifiés pour supporter un minimum de 850 livres. Si vous utilisez cette base réglable sans ses pattes et que vous la placez directement sur un cadre de lit ou un lit plate-forme, des supports transversaux (lattes) sont fortement recommandés pour assurer la stabilité de Sleepbeat pendant le fonctionnement.

LE DÉPASSEMENT DE CETTE RESTRICTION DE POIDS POURRAIT ENDOMMAGER LE LIT ET/OU PROVOQUER DES BLESSURES ET ANNULERA LA GARANTIE.

10. ACOUSTIQUE:

10.1 Lors du fonctionnement normal de la base, les roues, qui permettent au lit de maintenir sa distance par rapport au mur, entreront en contact avec les supports de plate-forme en acier de la base, créant un bruit de contact. Lors de l'entrée, de la sortie ou du déplacement du poids sur la base, ce bruit de contact peut être audible lorsque les roues entrent en contact. C'est normal.

11. ENTRETIEN DU TISSU :

11.1 Pour prolonger la durée de vie du tissu de recouvrement de votre base de lit, protégez-le autant que possible de la lumière directe du soleil. Pour nettoyer les

taches, essuyez la zone avec une éponge légèrement humide ou passez l'aspirateur avec une brosse douce pour enlever les particules. Conserver à au moins 30 cm (12 pouces) des sources de chaleur directes.

11.2 Pour un nettoyage en profondeur, épongez les déversements de liquide avec un chiffon propre et sec. Essuyez avec un chiffon propre imbibé d'eau tiède. Ne mouillez pas excessivement. Une brosse à poil doux peut être utilisée pour enlever la terre incrustée. Évitez les rayures en brossant doucement. Essuyez avec un chiffon propre imbibé d'eau tiède pour éliminer les résidus après le brossage. Sécher à l'ombre à l'abri de la chaleur directe.

11.3 Si des marques persistantes restent visibles après le nettoyage, demandez conseil à un professionnel.

CONSERVEZ CES INSTRUCTIONS.

CONFORMITÉ FCC :

REMARQUE : cet équipement a été testé et déclaré conforme aux limites d'un appareil numérique de classe B, conformément à la partie 15 des règles de la FCC.

Ces limites sont conçues pour fournir protection raisonnable contre les interférences nuisibles dans une installation résidentielle. Cet équipement génère, utilise et peut émettre l'énergie radiofréquence et, s'il n'est pas installé et utilisé conformément aux instructions, peut causer des interférences nuisibles aux communications radio. Cependant, il n'y a aucune garantie que des interférences ne se produiront pas dans une installation particulière. Si cet équipement cause des interférences nuisibles à la réception de la radio ou de la télévision, ce qui peut être déterminé en mettant l'équipement éteint et allumé, l'utilisateur est encouragé à essayer de corriger l'interférence par une ou plusieurs des mesures suivantes :








- Réorientez ou déplacez l'antenne de réception.
- Augmenter la distance entre l'équipement et le récepteur.
- Branchez l'équipement dans une prise sur un circuit différent de celui auquel le récepteur est connecté.
- Consultez le revendeur ou un technicien radio/TV expérimenté pour obtenir de l'aide.

Liste des pièces



AVANT DE JETER LES MATÉRIAUX D'EMBALLAGE, ASSUREZ-VOUS QUE TOUTES LES PIÈCES SONT INCLUSES.

TOUTS LES PIÈCES ÉLECTRONIQUES ET COMPOSANTS À INSTALLER SONT SITUÉS DANS DES BOÎTES SOUS LA BASE OU ATTACHÉS AU CADRE DU LIT.

 <p>A*</p> <p>Wireless Remote Control (1) AAA Batteries (2)</p>	 <p>B*</p> <p>Support de retenue de matelas (1)</p>	 <p>C*</p> <p>Pattes ajustables (6)</p>	 <p>D*</p> <p>CÂBLE AC (1)</p>
 <p>E*</p> <p>Power Supply (1)</p>	 <p>F*</p> <p>Sangle de connexion(1)</p>	 <p>G*</p> <p>Câble de synchronisation (1)</p>	

PIÈCES DIVERS (NON INCLUSES):

Protecteur de surtension (1)

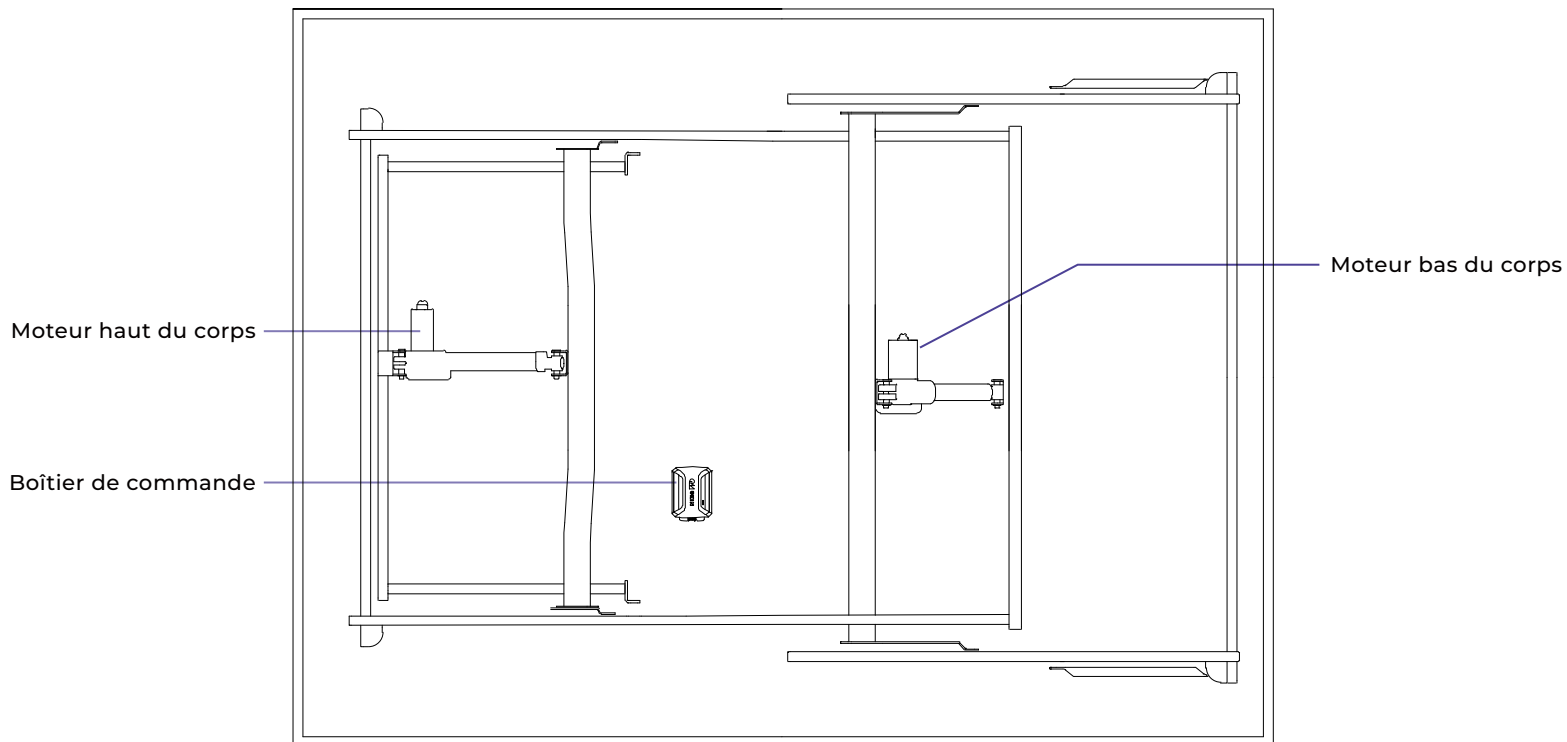
Piles 9 volts (2)

* CES ARTICLES SONT ATTACHÉS À LA BASE À DES FINS D'EXPÉDITION, RETIREZ-LES SOIGNEUSEMENT DE LA BASE ET METTEZ-LES DE CÔTÉ.
F * G* UNIQUEMENT INCLUS DANS LES BASES SPLIT TWIN LONG ET CAL KING.

Aperçu de la base de lit



LA CONCEPTION RÉELLE DU PRODUIT PEUT VARIER.

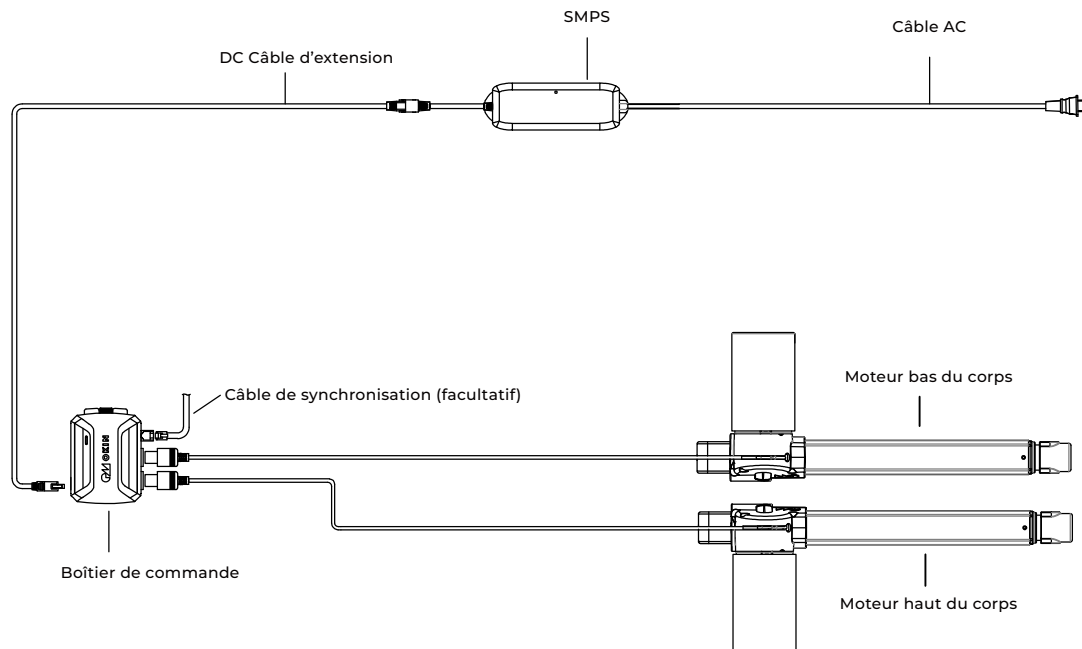


Guide de référence rapide

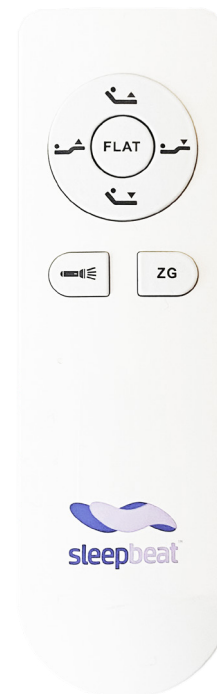


IL EST À NOTER QUE CE DOCUMENT N'EST PAS À L'ÉCHELLE. ET À DES FINS D'ILLUSTRATION UNIQUEMENT. LISEZ TOUTES LES INSTRUCTIONS AVANT DE.

APERÇU DE L'ÉLECTRONIQUE



TÉLÉCOMMANDE



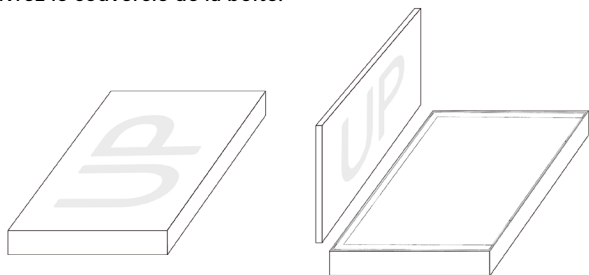
EN CAS D'INSTALLATION D'UNITÉ SPLIT, VOIR LA PAGE 25

Guide d'installation

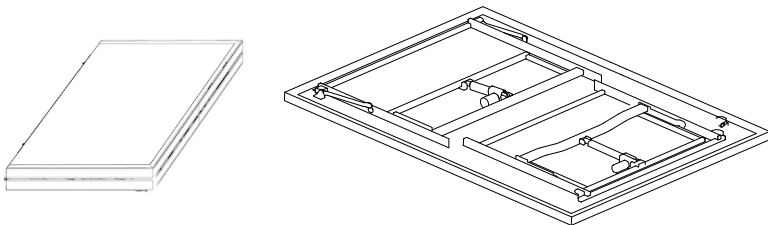


SOYEZ TOUJOURS DEUX PERSONNES LORS DE L'INSTALLATION DE LA BASE DE LIT.

1 Ouvrez le couvercle de la boîte.

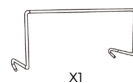


2 Dépliez le lit, sortez tous les accessoires de l'emballage et mettez-les de côté.



3 Sortez tous les accessoires de l'emballage et mettez-les de côté.

Support de retenue de matelas



X1

Sangle de connexion



X1

Boîte d'accessoires



Télécommande



X1

Pattes ajustables



X6

Câble AC



X1

Source d'énergie



X1

Câble de synchronisation

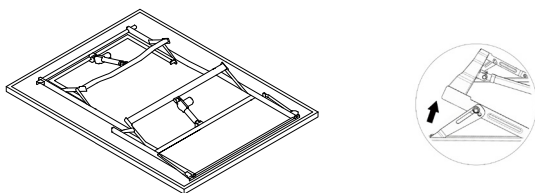


X1

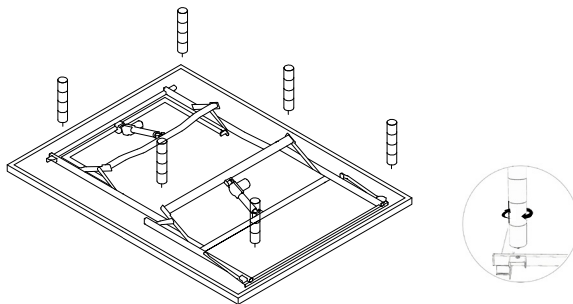
Guide d'installation



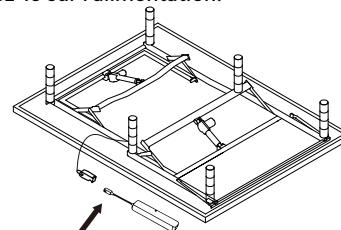
- 4** Lorsque toutes les pièces jointes sont retirées, tirez le moteur pour installer le tuyau horizontal, un "clac" sonore indique que le déploiement est en place.



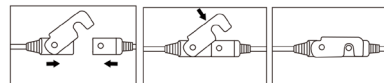
- 5** Installez les 6 pattes, assurez-vous que les pattes sont droites.



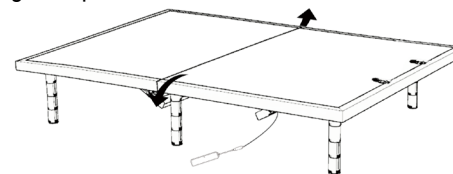
- 6** Déroulez le cordon d'alimentation d'entrée (connecté au port d'alimentation du boîtier de commande) et branchez-le sur l'alimentation.



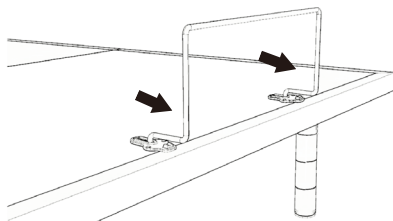
Méthode de connexion comme illustré.



- 7** Retournez soigneusement la base sur ses pattes. Important : Soyez toujours deux personnes pour installer, déplacer ou retourner la base. Ne la traînez pas sur le sol. Ne posez pas le cadre sur le côté, une pression excessive peut endommager les pattes

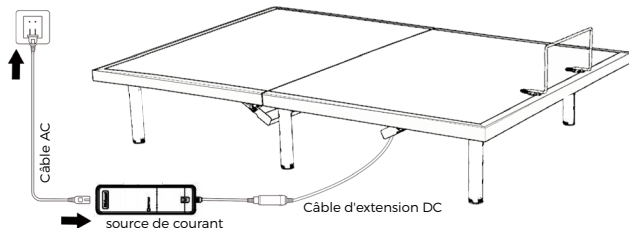


- 8** Pour installer la barre de retenue du matelas, insérez chaque extrémité de la barre.



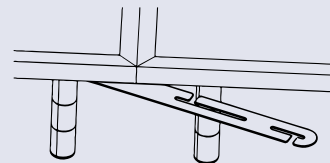
- 9** Le cordon d'alimentation AC connecte l'alimentation électrique, puis connecte la source d'alimentation AC. Insérez les piles dans la télécommande. L'installation est maintenant terminée ! Testez toutes les fonctions sur la télécommande.

Source d'alimentation AC



Sangles de connexion (facultatif)

- 1** Une fois les bases à l'emplacement souhaité, desserrez légèrement les deux pattes pour permettre à la sangle de s'ajuster sur le boulon de patte, entre la rondelle de patte et le cadre.



- 2** Faites glisser le côté (a) de la sangle de raccordement sur le boulon de pied. Faites pivoter la sangle et connectez le côté (b) au boulon de jambe. Fixez la sangle en la déplaçant vers la gauche.

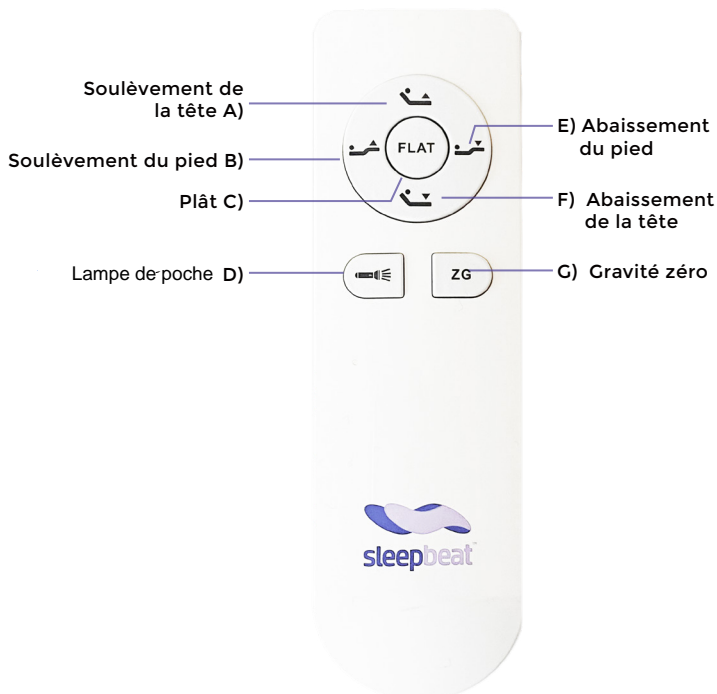


- 3** Resserrez les pattes. Ne pas trop serrer. Utilisez la sangle restante et répétez à l'autre extrémité de la base de lit.

Télécommande



LA TÉLÉCOMMANDE ARRIVE JUMELÉE À LA BASE AJUSTABLE.
DEUX (2) PILES AAA SONT NÉCESSAIRES POUR FAIRE FONCTIONNER



CONFIGURATION DE L'APPAIRAGE

ÉTAPE 1: Débranchez le cordon d'alimentation, allumez-le après 5 secondes, le voyant du boîtier de commande devient bleu, le voyant sous le lit clignote (si le voyant sous le lit est installé), le boîtier de commande passe en mode d'appariement.

ÉTAPE 2: Appuyez et maintenez enfoncé le bouton HEAD UP + HEAD DOWN de la télécommande, le rétroéclairage de la télécommande à distance clignote, la télécommande entre en mode d'appariement, jusqu'à ce que le rétroéclairage de la télécommande à distance cesse de clignoter et reste allumé, et que le voyant du boîtier de commande devienne vert (ou que la lumière sous le lit cesse de clignoter et s'éteigne). L'appariement est complété.

IMPORTANT: FOR YOUR SAFETY, READ THE OWNER'S MANUAL CAREFULLY AND COMPLETELY BEFORE OPERATING THIS PRODUCT.

Synchroniser deux bases de lit

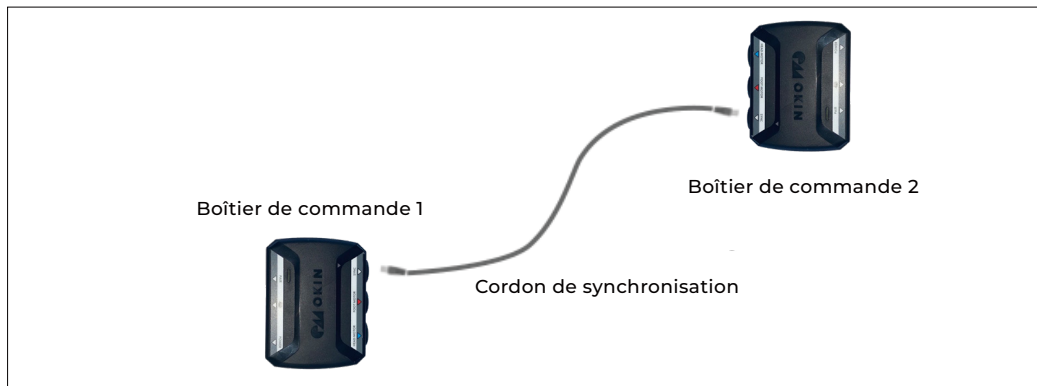


ÉTAPE 1: Débranchez les bases de la source d'alimentation.

ÉTAPE 2: Connectez le cordon de synchronisation au port multifonction de chaque boîtier de commande.

ÉTAPE 3: Rebranchez les bases dans la source d'alimentation.

ÉTAPE 4: Assurez-vous que tous les cordons sont bien fixés et que vous pouvez utiliser la télécommande jumelée pour contrôler les deux lits.



REMARQUES SUR LES PERFORMANCES

Si les bases ne correspondent plus, appuyez sur le bouton FLAT pour resynchroniser les positions mécaniques.

LE SYSTÈME EST MAINTENANT LIÉ. LES BOUTONS UTILISÉS SUR L'UNE OU L'AUTRE TÉLÉCOMMANDE CONTRÔLERONT LES DEUX BASES SIMULTANÉMENT.

Batterie de secours d'urgence

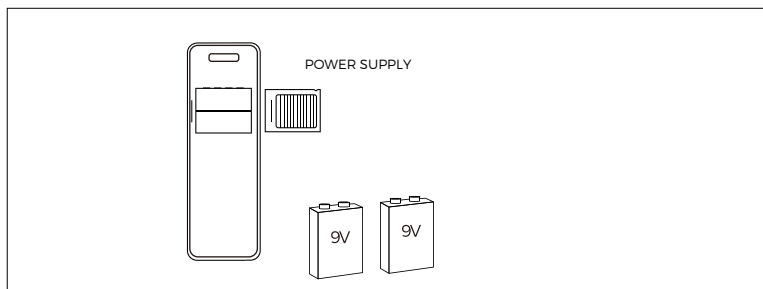


DEUX (2) PILES DE 9 VOLTS SONT NÉCESSAIRES POUR FAIRE FONCTIONNER LE BOÎTIER À PILES DE SECOURS ET NE SONT PAS INCLUSES.

ÉTAPE 1: Débranchez l'alimentation du cordon d'alimentation d'entrée.

ÉTAPE 2: Connectez la sangle de batterie de secours aux (2) piles alcalines de 9 volts. Ne mélangez pas les marques de piles.

ÉTAPE 3: Placez la batterie de secours dans le compartiment d'alimentation de la batterie.



ÉTAPE 4: Utilisez la télécommande pour abaisser la base.

SYMPTÔMES	SOLUTIONS
SI UNE OU PLUSIEURS FONCTIONS DE LA BASE DE LIT ONT CESSÉ DE FONCTIONNER	BASE DE LIT AJUSTABLE <p>Vérifiez sous la base du lit pour vérifier que les connexions câblées sont sécurisées et qu'il n'y a pas de cordons ou de literie obstruant le mouvement de la base.</p> <p>Assurez-vous que le voyant DEL est allumé sur le boîtier de commande. S'il n'y a pas de lumière, vérifiez que les cordons d'entrée et d'alimentation sont correctement connectés.</p> <p>Débranchez la base pendant 1 minute pour réinitialiser les composants électroniques.</p>
	TÉLÉCOMMANDE <p>Assurez-vous que les piles de votre télécommande sont correctement installées ou n'ont pas besoin d'être remplacées.</p> <p>Assurez-vous que la télécommande est appairée à la base de lit.</p>

Si le problème n'est pas résolu en suivant les instructions ci-dessus, repérez le numéro de série sur le manuel et le châssis de base et appelez le service clientèle : 877-525-2166.

Information de garantie



GARANTIE COMPLÈTE DE 2 ANS

La base réglable est garantie contre les défauts de matériaux ou de fabrication pendant une période de (2) deux ans à compter de la date d'achat jusqu'à l'acheteur d'origine. Pendant ce temps, le fabricant réparera ou remplacera, sans frais pour l'acheteur d'origine, toute pièce garantie jugée défectueuse par le fabricant, à sa seule discrétion. Cela comprend tous les frais de main-d'œuvre et de transport préautorisés engagés pour la réparation ou le remplacement de toute pièce jugée défectueuse. Cette garantie ne s'applique pas aux modèles de plancher.

GARANTIE DE 5 ANS SUR LES PIÈCES

De l'année 3 à l'année 5, à compter de la date d'achat d'origine, le fabricant remplacera toute pièce du lit, à l'acheteur d'origine, jugée défectueuse. La responsabilité du fabricant est limitée au remplacement de la ou des pièces défectueuses **UNIQUEMENT**, l'acheteur étant responsable de tous les frais de service, d'installation et de transport de ladite ou desdites pièces. Cette garantie ne s'applique pas aux modèles de plancher.

GARANTIE LIMITÉE DE 10 ANS : CADRE UNIQUEMENT

Nonobstant ce qui précède, le fabricant étend une garantie de 10 ans sur les pièces de base mécaniques jugées défectueuses sur une base limitée telle que définie dans les présentes. Plus précisément, le fabricant garantit que pendant 10 ans à compter de la date de début de cette garantie, tout défaut de fabrication ou de matériaux utilisés sera couvert. Aux fins de cette garantie de 10 ans, elle exclut spécifiquement le couvercle, le carénage, la plate-forme, les pieds, les moteurs de levage des actionneurs, les moteurs de massage, le boîtier de commande, les télécommandes, l'alimentation et tous les cordons d'alimentation. La responsabilité du fabricant sera limitée au remplacement de la ou des pièces défectueuses **UNIQUEMENT**, l'acheteur étant responsable de tous les frais de service, d'installation et de transport pour ladite pièce. Cette garantie ne s'applique pas aux modèles de plancher.

GARANTIE MODÈLE DE PLANCHER 1 AN

Le modèle de plancher à base réglable est garanti contre les défauts de l'électronique pendant une période d'un an à compter de la date d'achat à l'acheteur d'origine. Au cours de la première année, le fabricant remplacera, sans frais pour l'acheteur d'origine, toute pièce électronique défectueuse. La responsabilité du fabricant est limitée au remplacement de la ou des pièces électroniques défectueuses

TERMES ET CONDITIONS SUPPLÉMENTAIRES

Cette garantie n'inclut pas le remboursement/remplacement pour les inconvénients, le retrait, l'installation de pièces, l'installation du lit, la perte d'utilisation, l'usure normale, l'expédition ou tout autre coût ou dépense non expressément couvert par cette garantie. De plus, cette garantie sera annulée dans les circonstances suivantes :

- A. Les dommages résultant d'une mauvaise utilisation ou d'un abus causé par l'Acheteur ou tout tiers.
- B. Dommages causés par des réparations ou le remplacement de pièces par une personne non autorisée.
- C. Dommages causés si la base réglable a été mal manipulée (y compris pendant l'expédition), soumise à des abus physiques ou à une alimentation électrique inappropriée, ou en ne respectant pas les instructions du guide de l'utilisateur et cette garantie.
- D. Matelas, housse(s) de sommier(s), tissu(s), câbles de literie, cordons électriques ou accessoires endommagés fournis par des revendeurs ou un tiers. Contactez votre revendeur pour obtenir des informations sur la garantie de ces articles.
- E. Modification de la base réglable sans autorisation écrite préalable du fabricant.
- F. Coûts des appels de service non autorisés dans le but d'informer le consommateur sur la base réglable ou de localiser des prises de courant en bon état de fonctionnement.outlets.

Information de garantie



- G. Dommages si les limites de poids recommandées sont dépassées.
- H. Dommages en cas d'utilisation dans un environnement ou un cadre commercial qui n'était pas prévu.
- I. Cette garantie exige qu'un avis soit donné à Sleepbeat de toute réclamation pour des réparations ou des pièces de rechange.
- J. Endommagement de l'enveloppe en mousse par une mauvaise manipulation ou une mauvaise utilisation.

*Les pièces incluent les éléments suivants :

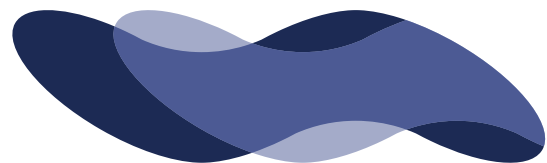
- a) Actionneur tête/pied
- b) Moteurs de massage et logement
- c) Boîte de contrôle
- d) Télécommande
- e) Cordon d'alimentation, bloc d'alimentation et cordon d'alimentation f) Supports de montage
- g) Entretoises de soutien

AUTRE QUE COMME EXPRESSÉMENT ÉNONCÉ DANS LES PRÉSENTES, ET DANS LA MESURE AUTORISÉE PAR LA LOI APPLICABLE, CETTE GARANTIE EST EXCLUSIVE ET REMPLACE TOUTE AUTRE GARANTIE, DÉCLARATION, CONDITION OU PROMESSE ORALE OU ÉCRITE, QU'ELLE SOIT EXPRESSE OU IMPLICITE, ET QU'ELLE DÉCOULE DE LA LOI, DE LA STATUT, CONDUITE DES AFFAIRES OU USAGE COMMERCIAL, Y COMPRIS, MAIS SANS S'Y LIMITER, LES GARANTIES ET CONDITIONS IMPLICITES DE QUALITÉ MARCHANDE, DE DURABILITÉ ET/OU D'ADÉQUATION À UN USAGE PARTICULIER. DANS LA MESURE AUTORISÉE PAR LES LOIS APPLICABLES, TOUTE GARANTIE IMPLICITE (SI APPLICABLE) EST LIMITÉE EN DURÉE À LA DURÉE DE CETTE GARANTIE. DANS LA MESURE PERMISE PAR LA LOI APPLICABLE, LE FABRICANT NE SERA EN AUCUN CAS RESPONSABLE DE TOUTE QUELCONQUE SPÉCIALE, ACCESSOIRE, PUNITIVE, EXEMPLAIRE, DOMMAGES CONSÉCUTIFS, LIQUIDÉS OU SIMILAIRES, PRÉVISIBLES OU NON.

Cette garantie est au bénéfice de l'acheteur d'origine uniquement et n'est pas transférable. Cette garantie n'est valide qu'aux États-Unis et au Canada. Les avantages accordés à l'acheteur d'origine (qui est un consommateur) en vertu de cette garantie s'ajoutent aux autres droits et recours dont dispose le consommateur en vertu de la loi.

Limites de poids de travail :

Ce produit n'est pas conçu pour supporter des poids supérieurs à 750 lb. Ce produit n'est pas conçu pour supporter des poids supérieurs à 750 lb, matelas et literie compris. La base sera structurellement supporter ce poids, à condition qu'il soit uniformément réparti sur le sommier. La base réglable n'est pas conçue pour supporter ou soulever ce montant uniquement dans les sections de tête ou de pied. Dépassant ce la restriction de poids pourrait endommager le lit et/ou causer des blessures et annulera la garantie. Veuillez noter : les limites de poids, telles que publiées ci-dessus, incluent le poids du matelas.



sleepbeatTM

customer service tel: 877-525-2166
Téléphone service à la clientèle:877-525-2166

— — — —

1K8000001
V01-10-2022