

**BF2101-XXX-100****PLUS: TB3 Thermostatic Shower System*****SPECIFICATIONS*****Components included**

- BF2062-XXX\*: 3-way AQUATONIK™ type T/P 1/2" push-button valve and decorative trim (operates up to 3 components simultaneously)
- BF2155-XXX\*: Rainhead with 90° wall arm
- 107377-XXX\*: 3-jet handshower (mist spray, rain spray and mixed spray)
- 103576-XXX\*: Wallbar
- 106193-XXX\*: Wall outlet
- 106415-XXX\* : Tub spout
- 101620-XXX\*: 60" flexible and soft PVC hose

*\*XXX means that the finish color must be specified.*

**Colors (Finishes)**

- Chrome: BF2101-**110**-100
- Matte Black: BF2101-**160**-100

*See the following sheets for the technical features of each component.*

**Installation Notes**

This product must be installed following the installation instructions provided.

**WARRANTY**

Kalia Inc. guarantees all aspects of its products to be free of defects in material and workmanship for normal residential use. **Refer to the warranty included with the Kalia products for details.**





ONCE UPON A TIME...WATER®

# BF2062

3-way AQUATONIK™ type T/P 1/2" push-button valve and decorative trim

## SPECIFICATIONS

### Features

- Solid brass construction
- Low-profile design
- Two male water inlets 1/2 NPT threaded or welded
- Male water outlets 1/2 NPT threaded or welded
- Horizontal or vertical installation
- One (1) high-flow outlet for tub spout
- Total adjustment of 25.4 mm (1")
- Back supports for better stability during installation included
- Operates up to 3 components simultaneously
- Integrated adjustable high-temperature limit
- Extra buttons included for custom shower configurations

### Colors (Finishes)

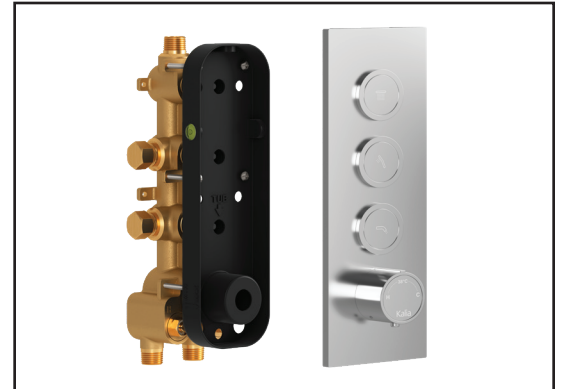
- Chrome: BF2062-110
- Pure Nickel PVD: BF2062-125
- Matte Black: BF2062-160

### Maximum flow rate

- 1 outlet: 31.9 L/min (7.42 gpm) at 60 psi
- 2 outlets: 32.3 L/min (8.53 gpm) at 60 psi
- 3 outlets: 33.5 L/min (8.85 gpm) at 60 psi

### Certifications

The specified model meets or exceeds the following standards;



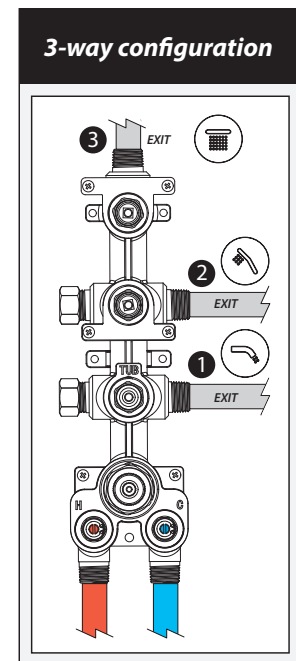
### Installation Notes

This product must be installed following the installation instructions provided.

### WARRANTY

Kalia Inc. guarantees all aspects of its products to be free of defects in material and workmanship for normal residential use. Refer to the warranty included with the Kalia products for details.

### Product dimensions:



Important: Dimensions are approximated and are subject to changes. Please refer to the installation instructions.



ONCE UPON A TIME...WATER®

1355, 2<sup>nd</sup> Street, Industrial Park  
Sainte-Marie (Québec)  
Canada G6E 1G9

T 418-387-9090  
1-877-GO-KALIA (1-877-465-2542)  
F 418 387-9089

KaliaStyle.com



# Kalia

ONCE UPON A TIME...WATER®

## KAREO™

### BF2155

### PLUS: Rainhead with 90° Wallarm

### SPECIFICATIONS

#### Features

- Solid brass arm and plastic rainhead construction
- Male water inlet 1/2NPT
- LSR (liquid silicone rubber) soft tips for easy cleaning of limescale
- Adjustable orientation swivel

#### Colors (Finishes)

- Chrome: BF2155-110
- Matte Black: BF2155-160

#### Maximum flow rate

- 7.6 L/min (2 gpm) to 80 psi

#### Certifications

The specified model meets or exceeds the following standards;



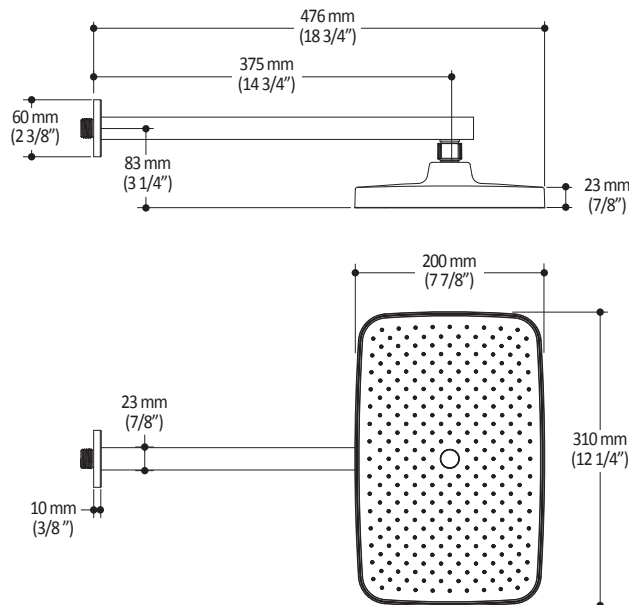
#### Installation Notes

This product must be installed following the installation instructions provided.

#### WARRANTY

Kalia Inc. guarantees all aspects of its products to be free of defects in material and workmanship for normal residential use. **Refer to the warranty included with the Kalia products for details.**

Product dimensions:



**Important:** Dimensions are approximated and are subject to changes. Please refer to the installation instructions.



ONCE UPON A TIME...WATER®

1355, 2<sup>nd</sup> Street, Industrial Park  
Sainte-Marie (Québec)  
Canada G6E 1G9

T 418-387-9090  
1-877-GO-KALIA (1-87- 465-2542)  
F 418 387-9089

[KaliaStyle.com](http://KaliaStyle.com)



ONCE UPON A TIME...WATER®

**KAREO™**

**107377**

**PLUS: 3-jet handshower**

**SPECIFICATIONS**

**Features**

- Male water inlet G½
- 3-jet handshower: mist spray, rain spray and mixed spray
- LSR (liquid silicone rubber) soft tips for easy cleaning of limescale

**Colors (Finishes)**

- Chrome: 107377-110
- Matte Black: 107377-160

**Maximum flow rate**

- 7.6 L/min (2 gpm) to 80 psi

**Certifications**

*The specified model meets or exceeds the following standards;*



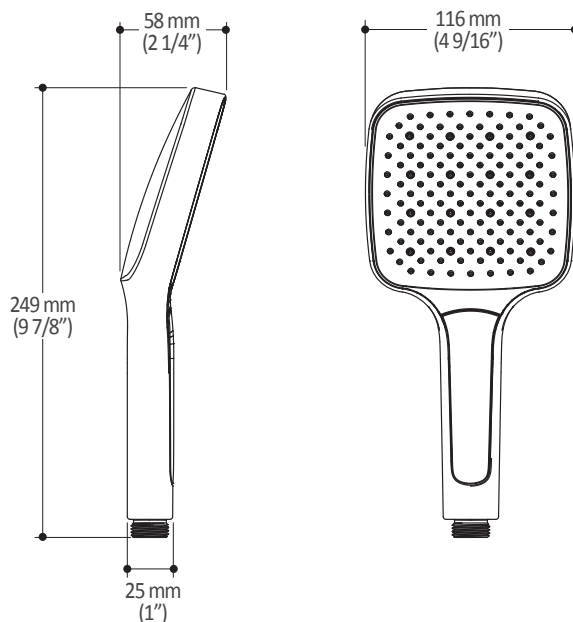
**Installation Notes**

This product must be installed following the installation instructions provided.

**WARRANTY**

Kalia Inc. guarantees all aspects of its products to be free of defects in material and workmanship for normal residential use. **Refer to the warranty included with the Kalia products for details.**

*Product dimensions:*



**Important:** Dimensions are approximated and are subject to changes. Please refer to the installation instructions.



ONCE UPON A TIME...WATER®

1355, 2<sup>nd</sup> Street, Industrial Park  
Sainte-Marie (Québec)  
Canada G6E 1G9

T 418-387-9090  
1-877-GO-KALIA (1-877- 465-2542)  
F 418 387-9089

**KaliaStyle.com**



ONCE UPON A TIME...WATER®

103576

Wallbar for handshower

*SPÉCIFICATIONS*

**Features**

- Total height of 775 mm (30 1/2")
- Easy-to-use gliding system
- Locking system

**Colors (Finishes)**

- Chrome: 103576-110
- Pure Nickel PVD: 103576-125
- Matte Black: 103576-160



**Installation Notes**

This product must be installed following the installation instructions provided.

**WARRANTY**

Kalia Inc. guarantees all aspects of its products to be free of defects in material and workmanship for normal residential use. Refer to the warranty included with the Kalia products for details.

*Product dimensions:*



**Important :** Dimensions are approximated and are subject to changes. Please refer to the installation instructions.



ONCE UPON A TIME...WATER®

1355, 2<sup>nd</sup> Street, Industrial Park  
Sainte-Marie (Québec)  
Canada G6E 1G9

T 418-387-9090  
1-877-GO-KALIA (1-87- 465-2542)  
F 418 387-9089

KaliaStyle.com





ONCE UPON A TIME...WATER®

# 106193 Wall Outlet

## SPECIFICATIONS

### Features

- Solid brass construction
- Connector adjustable in depth for increased durability
- Female water inlet 1/2NPT
- Male water outlet G1/2

### Colors (Finishes)

- Chrome: 106193-110
- Pure Nickel PVD: 106193-125
- Matte Black: 106193-160

### Certifications

The specified model meets or exceeds the following standards:



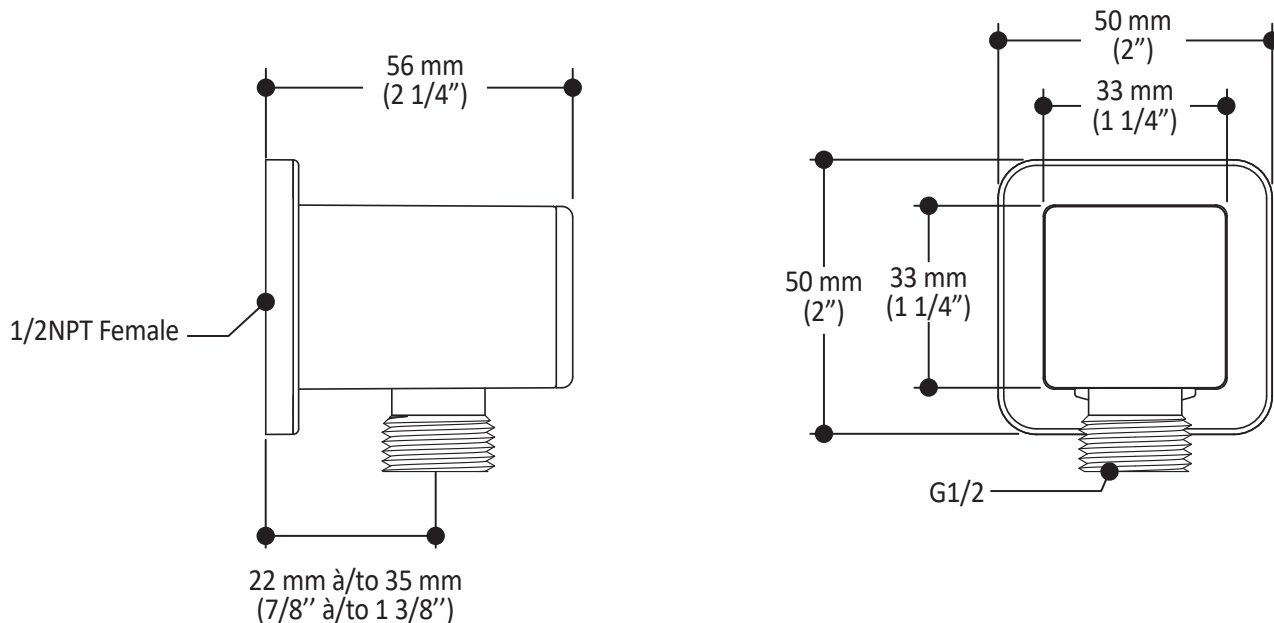
### Installation Notes

This product must be installed following the installation instructions provided.

### WARRANTY

Kalia Inc. guarantees all aspects of its products to be free of defects in material and workmanship for normal residential use. **Refer to the warranty included with the Kalia products for details.**

Product dimensions:



**Important:** Dimensions are approximated and are subject to changes. Please refer to the installation instructions.



ONCE UPON A TIME...WATER®

1355, 2<sup>nd</sup> Street, Industrial Park  
Sainte-Marie (Québec)  
Canada G6E 1G9

T 418-387-9090  
1-877-GO-KALIA (1-87- 465-2542)  
F 418 387-9089

[KaliaStyle.com](http://KaliaStyle.com)



ONCE UPON A TIME...WATER®

**KAREO™**

**106415  
Tub Spout**

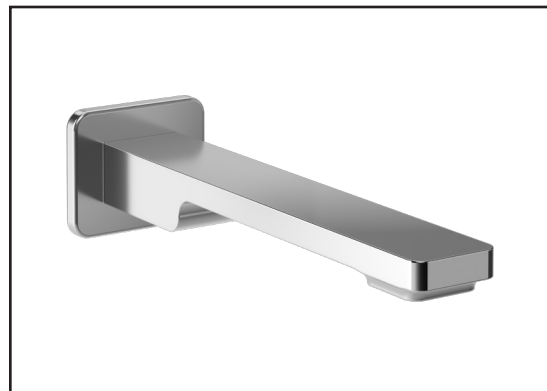
**SPECIFICATIONS**

### Features

- 1/2" cooper "slip fit" inlet or male water inlet 1/2NPT with 76 mm (3") adjustment
- Solid brass construction
- Regular water jet
- High water flow

### Colors (Finishes)

- Chrome: 106415-110
- Matte Black: 106415-160



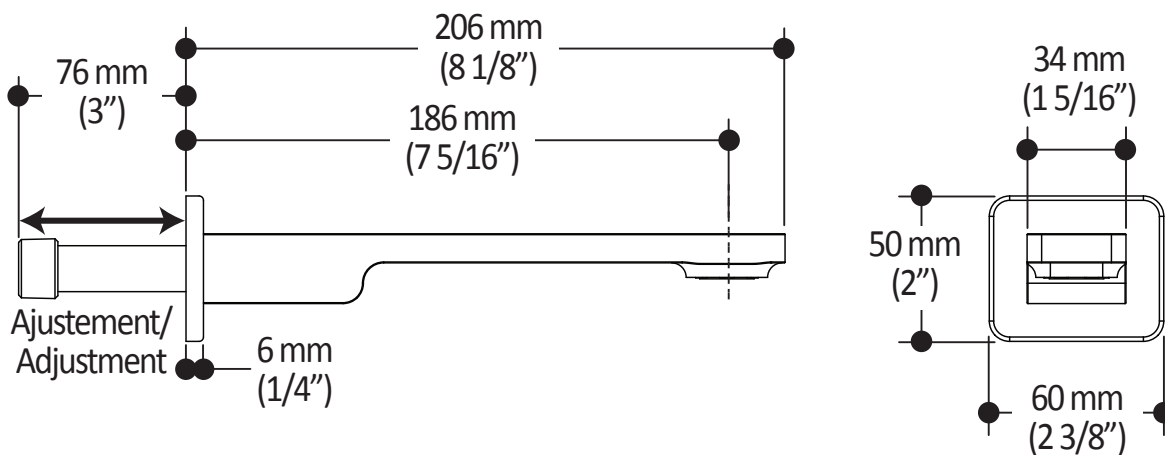
### Installation Notes

This product must be installed following the installation instructions provided.

### WARRANTY

Kalia Inc. guarantees all aspects of its products to be free of defects in material and workmanship for normal residential use. **Refer to the warranty included with the Kalia products for details.**

*Product dimensions:*



**Important:** Dimensions are approximated and are subject to changes. Please refer to the installation instructions.



ONCE UPON A TIME...WATER®

1355, 2<sup>nd</sup> Street, Industrial Park  
Sainte-Marie (Québec)  
Canada G6E 1G9

T 418-387-9090  
1-877-GO-KALIA (1-877-465-2542)  
F 418 387-9089

KaliaStyle.com





# Kalia

ONCE UPON A TIME...WATER®

## 101620

### 60" (1524 mm) Flexible and Soft PVC Hose

#### *SPECIFICATIONS*

#### Features

- G1/2 female connection
- Integrated check valve

#### Colors (Finishes)

- Chrome: 101620-110
- Pure Nickel PVD: 101620-125
- Black and chrome: 101620-150
- Matte Black: 101620-160



#### Installation Notes

This product must be installed following the installation instructions provided.

#### WARRANTY

Kalia Inc. guarantees all aspects of its products to be free of defects in material and workmanship for normal residential use. **Refer to the warranty included with the Kalia products for details.**

*Product dimensions:*



**Important :** Dimensions are approximated and are subject to changes. Please refer to the installation instructions.



# Kalia

ONCE UPON A TIME...WATER®

1355, 2<sup>nd</sup> Street, Industrial Park  
Sainte-Marie (Québec)  
Canada G6E 1G9

T 418-387-9090  
1-877-GO-KALIA (1-87-465-2542)  
F 418 387-9089

**KaliaStyle.com**