



**Kalia**

ONCE UPON A TIME...WATER®

**ROUNDONE™**

**BF2175-XXX-001**

**PB4 Pressure balance shower system**

***SPECIFICATIONS***



### **Components included**

- 104845-NPT: ½" pressure balance valve with 2-way diverter and test cap – without cartridge
- 104849-XXX\*: Round decorative trim for ½" pressure balance valve with volume control and 2-way diverter – cartridge included
- BF1634-XXX\* : Rainhead with vertical ceiling arm
- 104286-XXX\*: 2-jet handheld shower (2 direct functions and 1 shared function)
- 103577-XXX\*: Wallbar
- 101620-XXX\*: 60" flexible and soft PVC hose
- 106192-XXX\*: Wall outlet

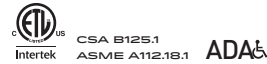
*\* XXX means that the finish color must be specified.*

### **Colors (Finishes)**

- Chrome: BF2175-110
- Matte Black: BF2175-160

### **Certifications**

*The specified model meets or exceeds the following standards;*



*See the following sheets for the technical features of each component.*

### **Installation Notes**

This product must be installed following the installation instructions provided.

### **WARRANTY**

Kalia Inc. guarantees all aspects of its products to be free of defects in material and workmanship for normal residential use. **Refer to the warranty included with the Kalia products for details.**



**Kalia**

ONCE UPON A TIME...WATER®

1355, 2<sup>nd</sup> Street, Industrial Park  
Sainte-Marie (Québec)  
Canada G6E 1G9

T 418-387-9090  
1-877-GO-KALIA (1-877-465-2542)  
F 418 387-9089

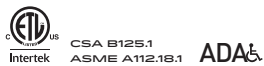
**KaliaStyle.com**

**Features**

- Solid brass construction
- Two male water inlets 1/2 NPT threaded or welded
- Two male water outlets 1/2 NPT threaded or welded
- Total adjustment of 25 mm (1”)
- Integrated service stops with check valve
- 2-way gradual diverter
- Support for better stability during installation included
- Equipped with a test-cap

**Certifications**

The specified model meets or exceeds the following standards:



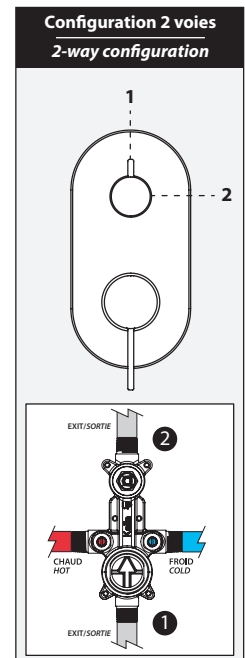
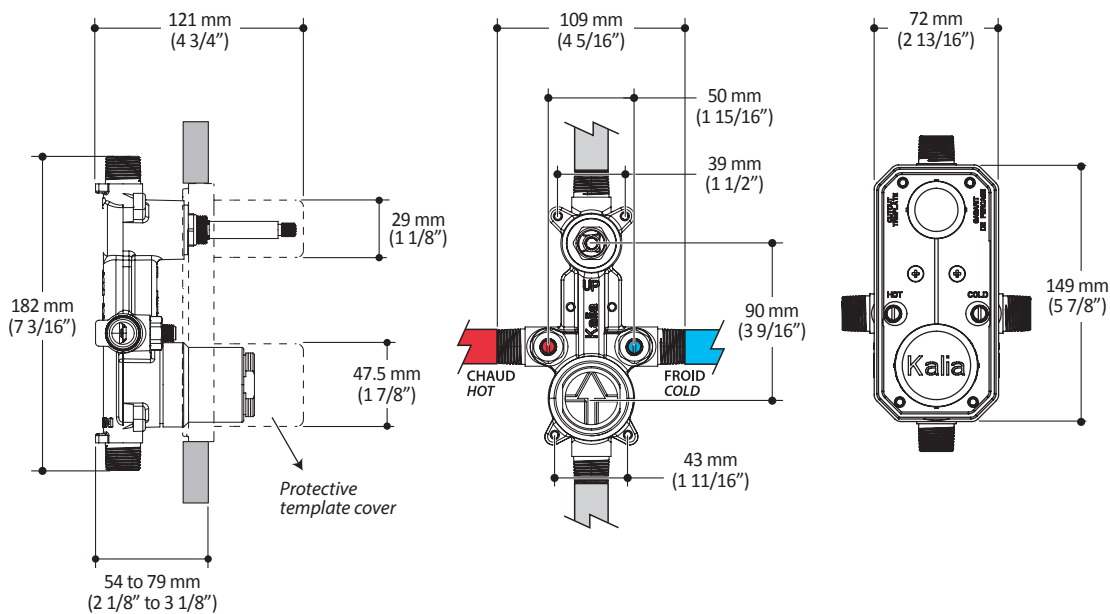
**Installation Notes**

This product must be installed following the installation instructions provided.

**WARRANTY**

Kalia Inc. guarantees all aspects of its products to be free of defects in material and workmanship for normal residential use. **Refer to the warranty included with the Kalia products for details.**

*Product dimensions:*



**Important:** Dimensions are approximated and are subject to changes. Please refer to the installation instructions.

**Features**

- Solid brass construction
- Total adjustment of 25 mm (1")
- Pressure balance with volume control ceramic cartridge
- 2-way gradual diverter

**Colors (Finishes)**

- Chrome: 104849-110
- Matte black: 104849-160

**Maximum flow rate**

- 20.5 L/min (5.4 gpm) at 60 psi

**Certifications**

The specified model meets or exceeds the following standards;

ADA



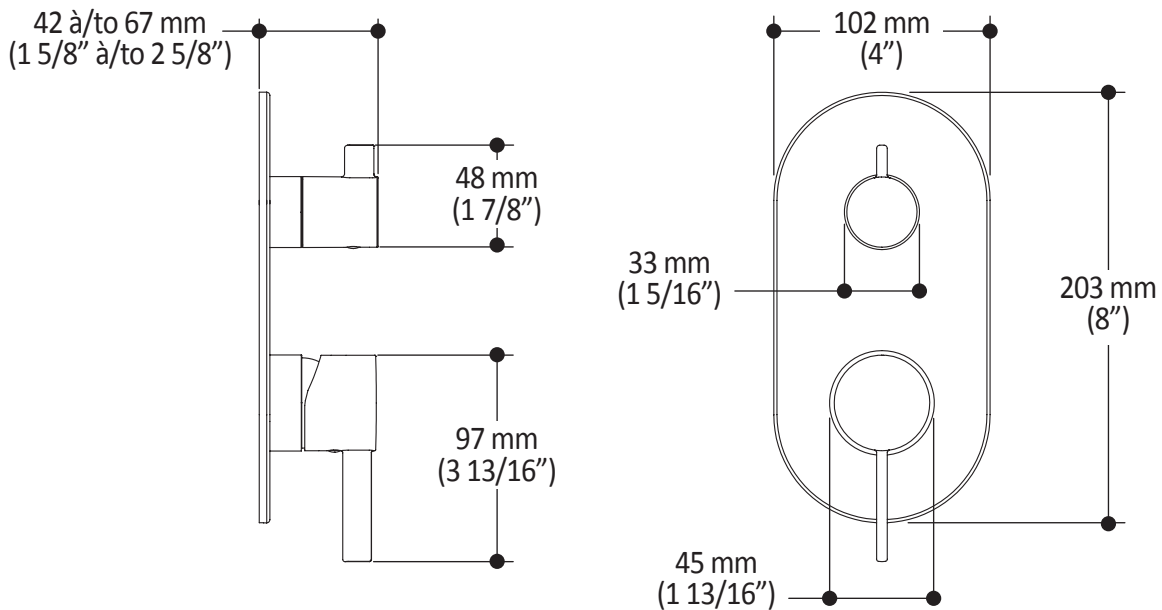
**Installation Notes**

This product must be installed following the installation instructions provided.

**WARRANTY**

Kalia Inc. guarantees all aspects of its products to be free of defects in material and workmanship for normal residential use. **Refer to the warranty included with the Kalia products for details.**

Product dimensions:



**Important:** Dimensions are approximated and are subject to changes. Please refer to the installation instructions.



ONCE UPON A TIME...WATER®

# BF1634 Rainhead with Vertical Ceiling Arm

## SPECIFICATIONS

### Features

- Male water inlet 1/2NPT on wall arm
- Female water inlet G1/2 on rainhead
- Rainhead diameter of 220 mm (8 5/8")
- Anti-scale system with soft sprays
- Adjustable orientation swivel

### Colors (Finishes)

- Chrome: BF1634-110
- Pure Nickel PVD: BF1634-125
- Matte Black: BF1634-160

### Maximum flow rate

- 7.6 L/min (2 gpm) at 80 psi

### Certifications

The specified model meets or exceeds the following standards;



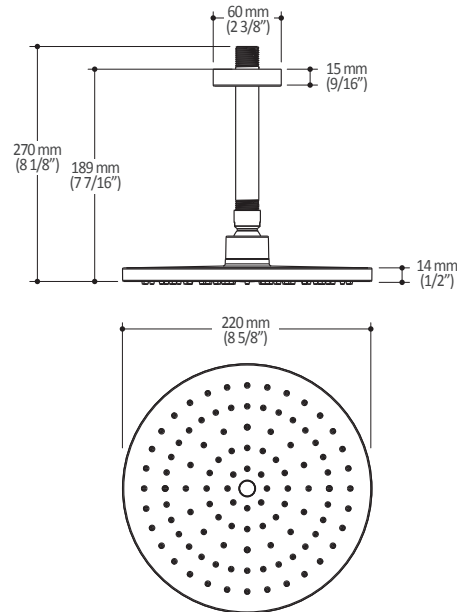
### Installation Notes

This product must be installed following the installation instructions provided.

### WARRANTY

Kalia Inc. guarantees all aspects of its products to be free of defects in material and workmanship for normal residential use. **Refer to the warranty included with the Kalia products for details.**

### Product dimensions:



**Important:** Dimensions are approximated and are subject to changes. Please refer to the installation instructions.



ONCE UPON A TIME...WATER®

1355, 2<sup>e</sup> Rue du Parc industriel  
Sainte-Marie (Québec)  
Canada G6E 1G9

T 418-387-9090  
1-877-GO-KALIA (1-877-465-2542)  
F 418 387-9089

[kaliastyle.com](http://kaliastyle.com)



ONCE UPON A TIME...WATER®

**104286**

**2-jet handshower**

**SPECIFICATIONS**

### Features

- Dimension: 120 mm (4 3/4")
- Anti-scale system with soft sprays
- Male water inlet G1/2
- 2 direct functions and 1 shared function

### Colors (Finishes)

- Chrome: 104286-110
- Pure Nickel PVD: 104286-125
- Matte Black: 104286-160

### Maximum flow rate

- 7.6 L/min. (2 gpm) at g0 psi

### Certifications

The specified model meets or exceeds the following standards;



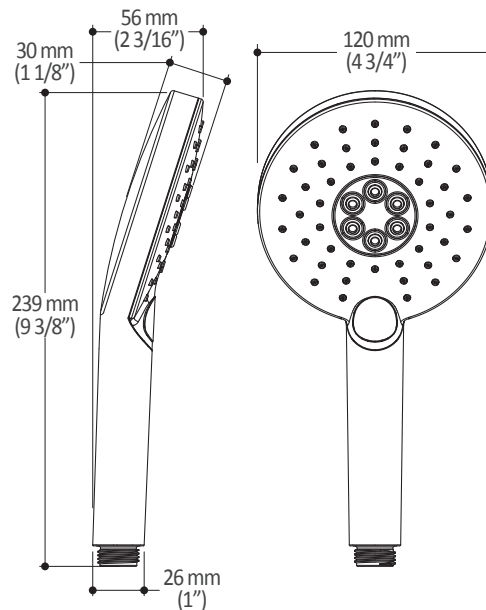
### Installation Notes

This product must be installed following the installation instructions provided.

### WARRANTY

Kalia Inc. guarantees all aspects of its products to be free of defects in material and workmanship for normal residential use. **Refer to the warranty included with the Kalia products for details.**

Product dimensions:



**Important :** Dimensions are approximated and are subject to changes. Please refer to the installation instructions.



ONCE UPON A TIME...WATER®

1355, 2<sup>nd</sup> Street, Industrial Park  
Sainte-Marie (Québec)  
Canada G6E 1G9

T 418-387-9090  
1-877-GO-KALIA (1-87- 465-2542)  
F 418 387-9089

**KaliaStyle.com**



ONCE UPON A TIME...WATER®

103577

Wallbar for handshower

**SPECIFICATIONS**

**Features**

- Plastic construction
- Total height of 742 mm (30")
- Easy-to-use gliding system
- Locking system

**Colors (Finishes)**

- Chrome: 103577-110
- Pure Nickel PVD: 103577-125
- Matte Black: 103577-160

**Certifications**

The specified model meets or exceeds the following standards:

**ADA**



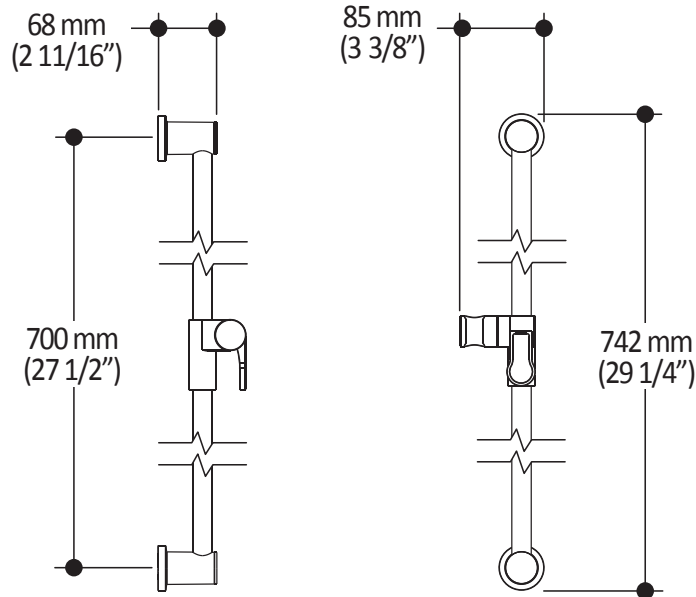
**Installation Notes**

This product must be installed following the installation instructions provided.

**WARRANTY**

Kalia Inc. guarantees all aspects of its products to be free of defects in material and workmanship for normal residential use. **Refer to the warranty included with the Kalia products for details.**

Product dimensions:



**Important :** Dimensions are approximated and are subject to changes. Please refer to the installation instructions.



ONCE UPON A TIME...WATER®

1355, 2<sup>nd</sup> Street, Industrial Park  
Sainte-Marie (Québec)  
Canada G6E 1G9

T 418-387-9090  
1-877-GO-KALIA (1-87- 465-2542)  
F 418 387-9089

**KaliaStyle.com**



# Kalia

ONCE UPON A TIME...WATER®

## 106192 Wall Outlet

### SPECIFICATIONS

#### Features

- Solid brass construction
- Connector adjustable in depth for increased durability
- Female water inlet 1/2NPT
- Male water outlet G1/2

#### Colors (Finishes)

- Chrome: 106192-110
- Pure Nickel PVD: 106192-125
- Matte Black: 106192-160
- Black: 106192-165

#### Certifications

The specified model meets or exceeds the following standards;



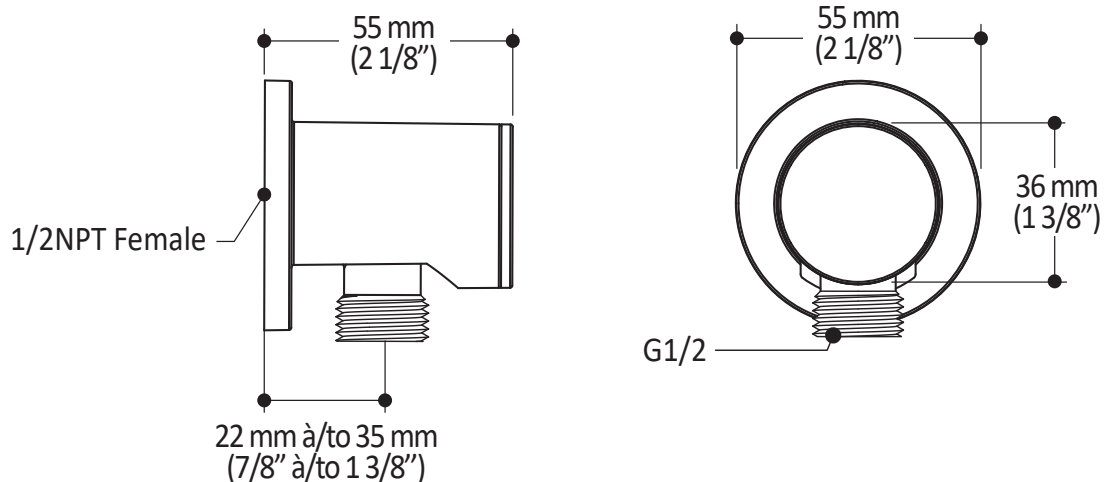
#### Installation Notes

This product must be installed following the installation instructions provided.

#### WARRANTY

Kalia Inc. guarantees all aspects of its products to be free of defects in material and workmanship for normal residential use. **Refer to the warranty included with the Kalia products for details.**

Product dimensions:



**Important:** Dimensions are approximated and are subject to changes. Please refer to the installation instructions.



ONCE UPON A TIME...WATER®

1355, 2<sup>nd</sup> Street, Industrial Park  
Sainte-Marie (Québec)  
Canada G6E 1G9

T 418-387-9090  
1-877-GO-KALIA (1-877- 465-2542)  
F 418 387-9089

[KaliaStyle.com](http://KaliaStyle.com)



# Kalia

ONCE UPON A TIME...WATER®

## 101620

### 60" (1524 mm) Flexible and Soft PVC Hose

#### *SPECIFICATIONS*

#### Features

- G1/2 female connection
- Integrated check valve

#### Colors (Finishes)

- Chrome: 101620-110
- Pure Nickel PVD: 101620-125
- Black and chrome: 101620-150
- Matte Black: 101620-160



#### Installation Notes

This product must be installed following the installation instructions provided.

#### WARRANTY

Kalia Inc. guarantees all aspects of its products to be free of defects in material and workmanship for normal residential use. **Refer to the warranty included with the Kalia products for details.**

*Product dimensions:*



**Important :** Dimensions are approximated and are subject to changes. Please refer to the installation instructions.



# Kalia

ONCE UPON A TIME...WATER®

1355, 2<sup>nd</sup> Street, Industrial Park  
Sainte-Marie (Québec)  
Canada G6E 1G9

T 418-387-9090  
1-877-GO-KALIA (1-87-465-2542)  
F 418 387-9089

**KaliaStyle.com**