



# WINE CELL'R™

Titanium

## INSTRUCTION & MAINTENANCE MANUAL

## MANUEL D'UTILISATION & ENTRETIEN



### MODELS – MODÈLES

---

**WC46DZSV1**

**WC54SZSV1**

**WC2743SSBC**

---

**PLEASE READ THIS MANUAL CAREFULLY BEFORE INSTALLATION AND USE.**

Thanks for purchasing one of our Wine Cell'R appliance. We hope that our advanced product will give your wine or beverage a different and joyful taste. Before using the device, please read and follow all safety rules and operating instructions.

**Register your device and activate  
your warranty on [winecellr.ca](http://winecellr.ca)**

---

**ENGLISH VERSION**

**PAGE 3**

---

**VERSION FRANÇAISE**

**PAGE 21**

---

**Enregistrer votre appareil et activez  
votre garantie sur [winecellr.ca](http://winecellr.ca)**

**VEUILLEZ LIRE ATTENTIVEMENT CE MANUEL AVANT L'INSTALLATION ET  
L'UTILISATION.**

Merci d'avoir acheté l'un de nos appareils Wine Cell'R, nous espérons que notre produit de pointe donnera à votre vin ou vos boissons un goût différent et agréable. Avant d'utiliser l'appareil, veuillez lire et respecter toutes les règles de sécurité et les instructions d'utilisation.

## TABLE OF CONTENTS

---

➤ SAFETY AND WARNINGS INSTRUCTIONS.....	<b>4</b>
➤ INSTALLATION.....	<b>6</b>
➤ DIMENSIONAL DRAWINGS.....	<b>7</b>
➤ RADIATOR SYSTEM DESCRIPTION.....	<b>8</b>
➤ TURNING ON YOUR APPLIANCE.....	<b>9</b>
➤ LOADING YOUR APPLIANCE.....	<b>9</b>
➤ TEMPERATURE SETTINGS.....	<b>10</b>
➤ ADJUSTABLE WOODEN SHELVES.....	<b>12</b>
➤ REVERSIBILITY OF THE DOOR.....	<b>13</b>
➤ HANDLE INSTALLATION METHOD.....	<b>14</b>
➤ VENTILATION KICK PLATE INSTALLATION METHOD.....	<b>14</b>
➤ OPERATION ANOMALIES.....	<b>15</b>
➤ WI-FI APPLICATION.....	<b>15</b>
➤ TROUBLE SHOOTING GUIDE.....	<b>16</b>
➤ DISPOSAL OF THE APPLIANCE.....	<b>18</b>



## SAFETY AND WARNINGS INSTRUCTIONS

---

### Before using your new Wine Cell'R product

1. Remove inner and outer packing material.
2. Allow the appliance to stand upright for approximately 24 hours before plugging it in to avoid complications in the cooling system.
3. Use a soft cloth with warm water to clean the inside and outside.

### Pre-installation tips

This appliance is designed for flush-mounted or freestanding installation

- The appliance is intended to be used exclusively for the storage of wine & beverages.
- Place your wine cabinet on a flat floor strong enough to support it when fully loaded.
- **It is important that the device is levelled** to operate properly (check with a level from left to right and front to back). You can adjust the feet of the appliance to level it.
- Make sure that there are enough people to move and install the appliance to prevent injuries or damage to the appliance. When moving the appliance, **do not tilt it more than 45 degrees**.
- The appliance must be installed away from heat sources such as heating system, radiator, stove, oven. Direct sunlight can affect the acrylic coating and heat sources can increase the energy use of the wine cabinet. Cold and extreme ambient temperatures can also cause malfunctions of the appliance.
- Avoid placing the appliance outdoors or/and in a damp location.
- Once in its location, **wait 24 hours before plugging in the appliance**.
- Make sure that the voltage/current indicated on the label matches your supply voltage. Plug the appliance into a 3-pin socket, do not remove the grounding pin. **Do not use an adapter and do not use an extension cord**.
- It is recommended to plug the device into a power bar with surge protector.
- It is recommended to plug your appliance on a dedicated circuit.
- The fuse (or circuit breaker) size should be 15 A or greater.
- Any questions regarding the power supply and/or grounding should be directed to an electrician or an authorized service center.

### Important safety instructions

Before using the appliance, please position and install it properly according to the specifications in the manual. To avoid the risk of fire, electric shock or injury when using the unit, please read and follow the precautions suggested in this manual.

- Never clean any part of the unit with flammable liquids that may cause a fire or explosion hazard.
- Do not store gas or other flammable products near the appliance.
- Do not plug or unplug the appliance when your hands are wet.
- Unplug the appliance or disconnect the power supply before making a service call, servicing or cleaning the appliance. Failure to do so may result in electric shock or death.
- Do not attempt to replace or repair any parts on the appliance unless specified in the manual or refer servicing to a qualified technician.
- The front of the appliance must not be obstructed in any way to ensure adequate ventilation.
- This appliance is designed and intended for use by persons who are familiar with the operation of electrical appliances. All other persons (including children) must be supervised or instructed in advance by a person responsible for their safety.
- Children must be supervised and must not play with the appliance.
- Do not use solvent-based or abrasive cleaners inside or outside the appliance, as these may discolor the interior and exterior.
- Do not use this unit for any purpose other than recommended.
- The use of an extension cord is not recommended by the manufacturer and may be dangerous.
- When disposing of the appliance, be sure to remove the door and leave the shelves in place to prevent injuries. Make sure that the cooling and heating circuit at the bottom rear of the unit is not damaged. The symbol on the product or on its packaging indicates that this appliance is not a product to be disposed of in the household waste, but rather should be taken to an appropriate recycling facility for electrical appliances.

## WARNING!

The information in this document is subject to modification without any prior notice.

We offer no guarantee for our appliance if it is being used for any purpose other than that for which it was specifically designed.

We cannot be held responsible for any error in this manual.

Wine Cell'R is not responsible for deterioration or damage to wines or any other contents, whether accidental or consequential to an accident or natural disaster.


Warranty applies to the appliance only and not to the content of the appliance.

**It is hazardous for anyone other than an Authorised Service Person to carry out servicing or repairs to this appliance.**

- **WARNING:** Keep clear of obstruction all ventilation openings in the appliance enclosure or in the structure for building-in.
- **WARNING:** Do not use mechanical devices or other means to accelerate the defrosting process, other than those recommended by the manufacturer.
- **WARNING:** Do not damage the refrigerant circuit.
- **WARNING:** Do not use electrical appliances inside the device.
- **WARNING:** If you do not use the device for a long period of time, please unplug the power plug from the socket or switch off the power supply.
- **WARNING:** Children should be supervised to ensure that they do not play with the appliance.
- **WARNING:** If the supply cord is damaged, it must be replaced by the manufacturer, its service agent or a similarly qualified person to avoid any danger.

## R600a WARNINGS:

For your safety observe the following recommendations:

- This appliance contains a small quantity of R600a refrigerant which is environmentally friendly, but flammable. It does not damage the ozone layer, nor does it increase the greenhouse effect.
- During transportation and installation, ensure that the tubing of the refrigerant circuit is not damaged.
- Avoid using or manipulating sharp objects near by the appliances.
- Leaking refrigerant can ignite and may damage the eyes.
- In the event any damage does occur, avoid exposure to open fires and any device which creates a spark. Disconnect the appliance from the main power.
- Thoroughly ventilate the room in which the appliance is located for several minutes.
- Notify Customer Service for necessary action and advice.
- The room for installing the appliance must be at least 1 cubic metre per 8 grams of refrigerant. The refrigerant quantity contained in this appliance is listed above in grams; it is also noted on the Rating Plate of the appliance.
- **WARNING:** To avoid a hazard due to instability of the appliance, it must be fixed in accordance with the instructions.
- The symbol  is a warning and indicates the refrigerant and insulation blowing gas are flammable.
- **Warning:** Risk of fire / flammable materials
- **WARNING —** Do not store explosive substances such as aerosol cans with a flammable propellant in this appliance.
- **WARNING —**When positioning the appliance, ensure the supply cord is not trapped or damaged.
- **WARNING —**Do not locate multiple portable socket-outlets or portable power supplies at the rear of the appliance.
- **WARNING —** The refrigerant and insulation blowing gas are flammable. When disposing of the appliance, do so only at an authorized waste disposal center. Do not expose to flame.



# INSTALLATION



WAIT 24 HOURS BEFORE PLUGGING IN THE APPLIANCE AND SWITCHING IT ON. DURING THIS PERIOD, WE RECOMMEND THAT YOU LEAVE THE DOOR OPEN TO ELIMINATE ANY RESIDUAL ODORS.

## BEFORE PLUGGING IN AND FILLING YOUR APPLIANCE

Failure to comply with the above specifications may invalidate the WARRANTY.

### Recommendations

The location you have selected for your appliance should:

- be unencumbered and well ventilated;
- be well away from any heat source and direct sunlight;
- not be too damp (laundry, pantry, bathroom etc.);
- have a flat floor;
- have a standard and reliable electricity supply (standard socket to country standards, linked to the ground), it is NOT recommended to use a multi-socket or extension lead;
- have a surge protector fitted to the electrical outlet;
- Away from the microwave oven. Certain microwave ovens do not have wave interference shield. When placed within 1 meter vicinity of the appliance, they may affect the operation of the unit.

### Notes

WC46DZSV1 WC54SZSV1 WC2743SSBC models are all built-in and free-standing type as per the drawings thereafter.

The appliance should be placed where the ambient temperature is proper. If the temperature is above or below this range, it will affect the performance of the unit. Placing in cold or hot temperature conditions may cause appliance temperatures fluctuating, and it will not reach the ideal one.

### Grounding instructions

The unit must be grounded in case of wire leakage. Grounding reduces the risk of electrical shock. The appliance is equipped with a power cord having a grounding wire and plug. The unit plug must be plugged into a properly affixed and grounded electrical outlet.

**Note:** In locations where there is frequent lightning, it is advisable to use surge protectors.

Improper use of the grounding plug can result in the risk of electric shock. Consult a qualified electrician or service person if the grounding instructions are not completely understood.

If the supply cord is damaged, it must be replaced by a qualified person in order to avoid electrical hazard.

### INSTALLING YOUR APPLIANCE

Unpack and remove all of the protection and adhesive strips from the packaging around and inside the wine cellar.

The unit must be positioned such that the plug is accessible. Release the power cord. Move your appliance to its final location. The unit should be installed in a suitable place where the compressor will not be subject to physical contact.

**Note: The appliance must be positioned so that the plug is accessible after installed.**

### Leveling your appliance

The appliance must be leveled BEFORE loading your wines or beverage.

Your appliance is equipped with 4 adjustable feet to facilitate easy leveling. We recommend that you tighten the back feet to the maximum and adjust the front feet to level the wine cellar.



### INSTALLATION INSTRUCTIONS FOR BUILT APPLIANCES

**1.** "Built in" wine cellars are front venting but are not designed to be fully integrated behind a joinery door.

**2.** Please follow the installation diagram when installing built-in wine cellars. No less than the minimum installation dimension, or it will affect the venting of cellar.

**3.** Built-in wine cellars draw air from right of ventilation frame and expel through left of ventilation frame under the front door.

**4.** "Built in" wine cellars have a power switch located on the control panel so power point location is not critical.

**5.** The wine cellar requires a standard 120 volt/15-amp power.

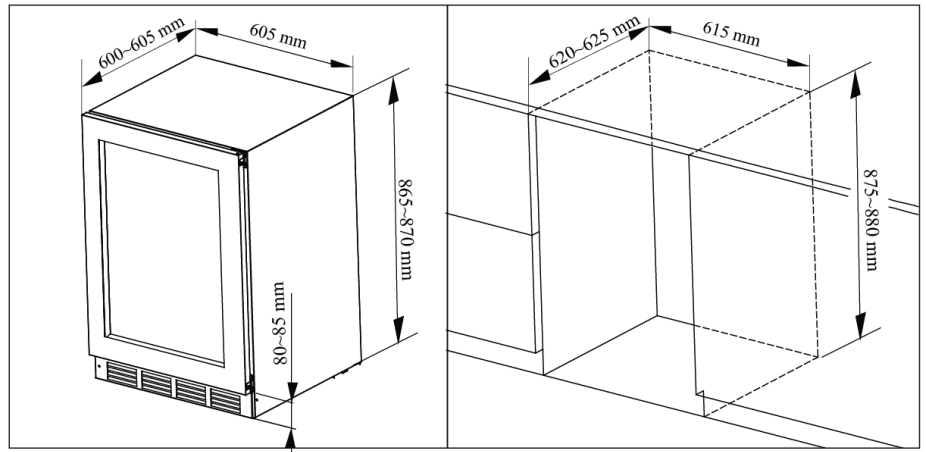
**6.** The power cord is 2.0m in length and is fixed on the right side at the back when looking from front of cabinet.

**7.** As with most appliances of today, the unit has sensitive electronic components which are susceptible to damage through lightning and electricity supply faults. It is therefore advised to use a power surge protector to avoid problems of this nature.

## DIMENSIONAL DRAWINGS

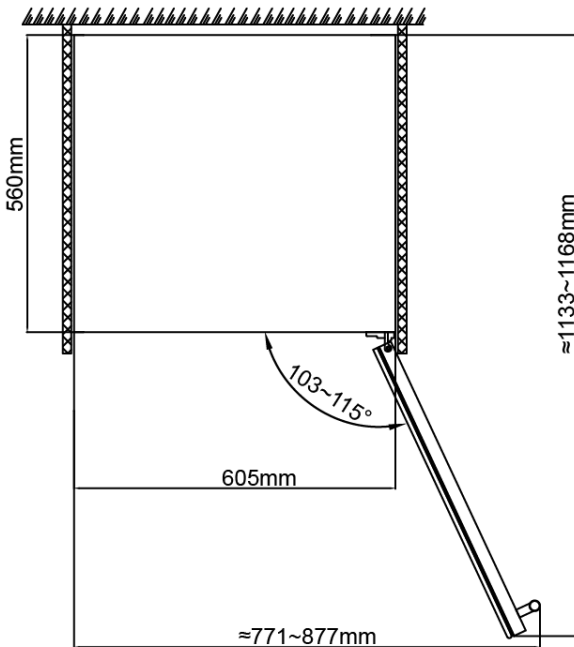
### WC46DZSV1 WC54SZSV1 WC2743SSBC MODELS

It is built-in model inside cabinet, the cabinet should be installed with good ventilation space, otherwise it will affect the unit working normally. (Installation drawing as below)

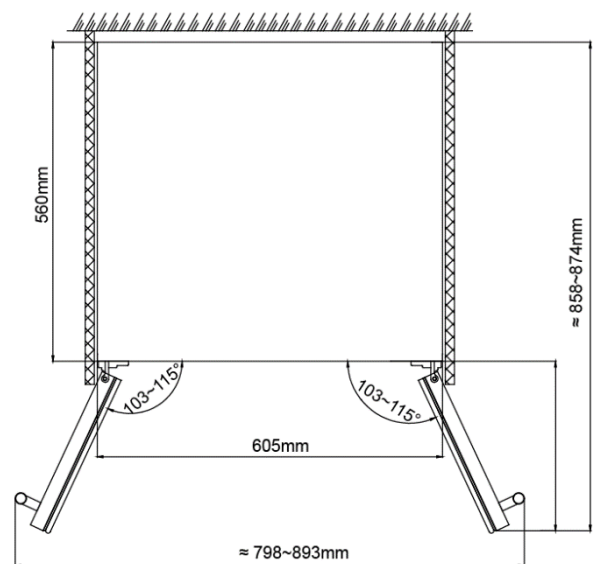


### OPEN ANGLE SIZE DRAWINGS

#### WC46DZSV1 WC54SZSV1 MODELS

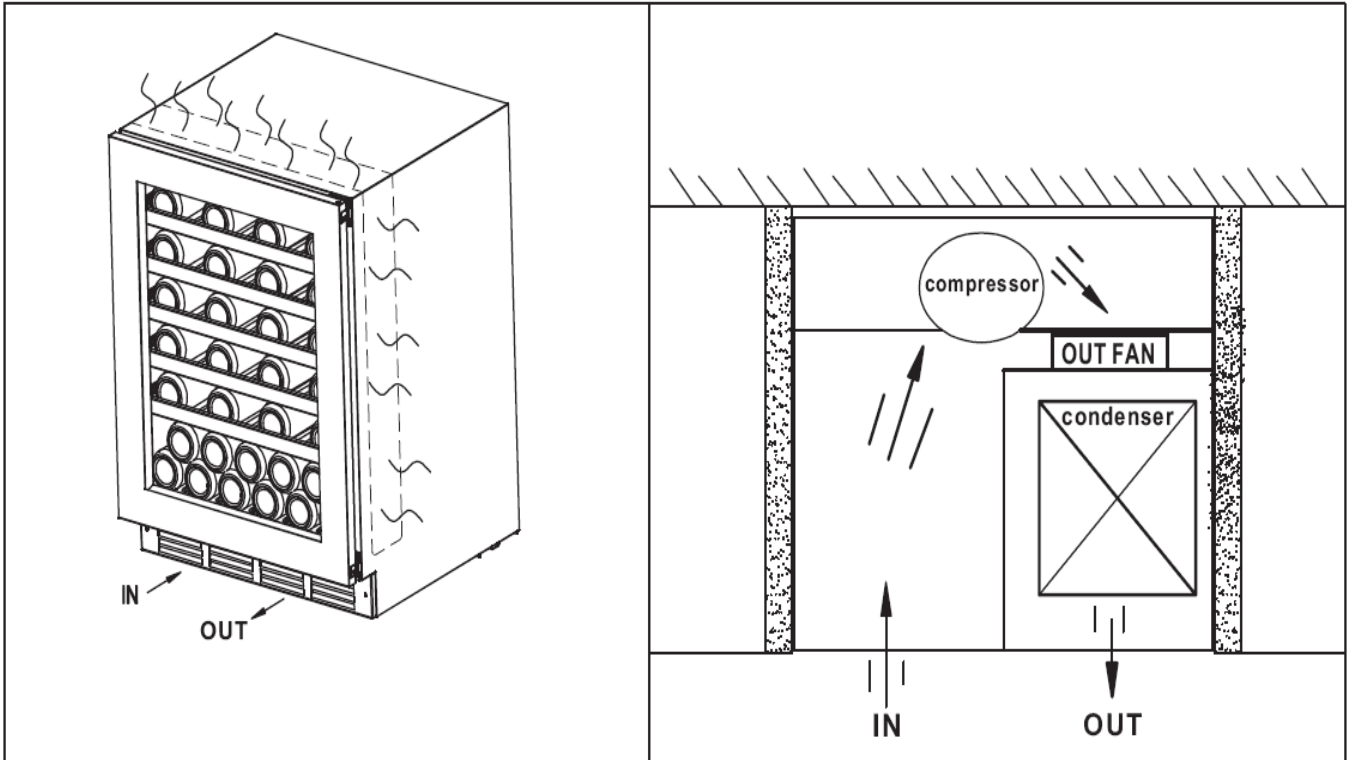


#### WC2743SSBC MODEL



# RADIATOR SYSTEM DESCRIPTION

WC46DZSV1 WC54SZSV1 WC2743SSBC  
models use side anti-dew tube and independent cooling system



## TURNING ON YOUR APPLIANCE

Plug in and switch on the cellar by pressing on the power button **for a few seconds.**

When you use the wine cellar for the first time (or restart the wine cellar after having it shut off for a long time), there will be a few degrees variance between the temperature you have selected and the one indicated on the LED readout. This is normal and it is due to the length of the activation time. Once the wine cellar is running for a few hours everything will stabilize.

**Important: If the unit is unplugged, power is lost, or turned off, wait 3 to 5 minutes before restarting the unit. The wine cellar will not start if you attempt to restart before this time delay.**

### Operating Noises

To reach the desired temperature settings, our wine cellars, like all wine cellars operating with compressors and fans, may produce the following types of noises. These noises are normal and may occur as follows:

- Gurgling sound - caused by the refrigerant flowing through the appliance's coils.
- Cracking/popping sounds - resulting from the contraction and expansion of the refrigerant gas to produce cold.
- Fan operating sound - to circulate the air within the wine cellar.

*An individual's perception of noise is directly linked to the environment in which the wine cellar is located, as well the specific type of models. Our wine cellars are in line with international standards for such appliance. We will always do its utmost to satisfy its customers but will not retake possession of the goods due to complaints based on normal operating noise occurrences.*

## LOADING YOUR APPLIANCE



You may load your wine bottles in single or double rows while taking note of the following: if you do not have enough bottles to fill your wine cellar, it is better to distribute the load throughout the wine cellar so as to avoid "all on top" or "all below" type loads.

- Do not remove or relocate adjustable wooden shelves to accommodate larger type of bottles or increase the capacity of the cellar by stacking the bottles up when necessary. (See removing shelves)
- Keep small gap between the walls and the bottles to allow air circulation. Like an underground cellar air circulation is important to prevent mold and for a better homogeneous temperature within the cellar.
- Do not over load your wine cellar to facilitate air circulation.
- Do not stack more than 1.5 rows of standard 0.75L bottles per shelves to facilitate air circulation
- Avoid obstructing the internal fans (located inside on the back panel of the wine cellar).
- Do not slide the shelves outwards beyond the fixed position to prevent the bottles from falling.
- Do not pull out more than one loaded shelf at a time as this may cause the wine cellar to tilt forward.
- Do not cover the wooden shelves with alloy foil or other materials, as it will obstruct air circulation.
- Do not move your wine cellar while it is loaded with wines. This might distort the body of the wine cellar and cause back injury.

### TYPES OF REGULATION

Please note that depending on the loading and settings chosen it takes about 24 hours for the wine cellar to see the temperature stabilizing.

During this time LED seems to move erratically in particular, it is normal and this process occurs whenever the setting is modified and/or whenever a large amount of bottles are added to the cellar.

Designed to store and mature all wines: red, white and sparkling. These wine cellars reproduce the ideal conditions for wine storage, at a constant recommended temperature of 12°C. They can also be set to provide ideal serving temperature for full enjoyment of the wine's qualities. Unless stated by the wine maker on the bottle, we recommend 7°C for your champagne, 12°C for whites and 18°C for reds. (Refer to "Wine Service Temperature" recommendation chart)



# TEMPERATURE SETTINGS

**Important: The LED displays by default the actual internal air temperature.**

The temperature of the power, before all Settings will be resumed after the electricity to power the preset temperature

The electrical board of all models comes with memory function.

*It is important to understand that there is a difference between the air temperature inside the wine cellar and the actual temperature of the wine: You will need to wait approximately 12 hours before noticing the effects of temperature adjustment due to the critical mass within a full wine cellar.*

Once the temperature is set, it is strongly advised not to toy with it or adjust frequently. The thermostat will maintain the temperature inside the wine cellar within a +/- 2.5°C range. But the thermal inertia of the wine and the glass is such that within this temperature range, the actual temperature of the wine will only fluctuate 0.5°C to 1°C.

## WINE SERVING TEMPERATURE CHART

All wines mature at the same temperature, which is a constant temperature set between 12°C to 14°C.

The below chart is an indicative temperature chart to indicate the best temperature for drinking purposes.

- Champagne NV, Sparkling, Spumante - 6°C
- Dry White Semillon, Sauvignon Blanc - 8°C
- Champagne Vintage - 10°C
- Dry White Chardonnay - 10°C
- Dry White Gewürztraminer, Riesling, Pinot Grigio - 10°C
- Sweet White Sauternes, Barsac, Montbazillac, Ice Wine, Late Harvest - 10°C
- Beaujolais - 13°C
- Sweet White Vintage, Sauternes - 14°C
- White Vintage Chardonnay 14°C
- Red Pinot Noir - 16°C
- Red Grenache, Syrah - 16°C
- Red Vintage Pinot Noir - 18°C
- Cabernet & Merlot: French, Australian, New Zealand - 20°C
- Chilean, Italian, Spanish, Californian, Argentinean, Vintage Bordeaux - Room temperature (not exceeding 20°C)

## IMPORTANT INFORMATION ABOUT TEMPERATURE

Your wine cellar has been designed to guarantee optimum conditions for storing and/or serving your wines.

Fine wines require long and gentle developments and need specific conditions in which to reach their full potential.

All wines mature at the same temperature, which is a constant temperature set between 12°C to 14°C. Only the temperature of "degustation" (wine appreciation) varies according to the type of wines (see "Wine Serving Temperature Chart" above). This being said and as it is for natural cellars used by wine producers for long period of storage, it is not the exact temperature that is important, but its consistency. In other words, as long as the temperature of your wine cellar is constant (between 12°C to 14°C) your wines will be stored in perfect conditions.

Not all wines will improve over the years. Some should be consumed at an early stage (2 to 3 years) while others have tremendous ageing capability (50 and over). All wines have a peak in maturity. Do check with your wine merchant to get the relevant information.

## DEFROSTING/CONDENSATION/HYGROMETRY/ VENTILATION

Your wine cellar is designed with "Auto-cycle" defrost system. During "Off-cycle" the refrigerated surfaces of the wine cellar defrost automatically. Defrost water from the wine cellar storage compartment drains automatically and part of it goes into a drainage container, which is located at the back of the wine cellar next to the compressor. The heat is transferred from the compressor and evaporates any condensation that has collected in the pan. Part of the remaining water is collected within the wine cellar for humidity purposes.

This system enables the creation of the correct humidity level inside your wine cellar required by the natural cork to maintain a long-lasting seal.

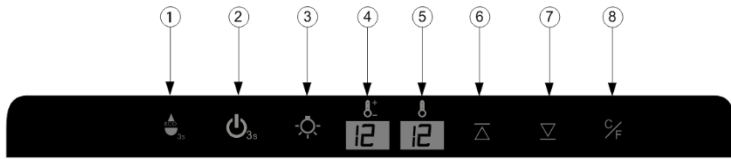
**Notes:** *The water collected by condensation, is therefore recycled. Under extremely dry environmental conditions, you may have to add some water into the water container provided with your wine cellar.*

All units are equipped with a double-glazed glass door that has a third internal acrylic layer to minimize condensation on the glass door.

The wine cellar is not totally sealed; fresh air admission is permitted through the drainpipe. Air is circulated through the cellar by means of a fan/fans and the hollow shelves.

**Notes:** *During the refrigerating cycle, heat is given off and disperses through the external surfaces of the wine cellar. Avoid touching the surfaces during those cycles.*

## WC54SZSV1 SINGLE ZONE DISPLAY BOARD OPERATING INSTRUCTION



### WC54SZSV1

#### ① Energy Saving Mode

Press the button for 3 seconds into the energy-saving mode, press ⑥⑦ out of energy-saving mode

#### ② ON/OFF the power button

In the standby mode: press 3 seconds, the power is turned on, the whole machine starts

In the power-on state: press the power button, window ④ shows the countdown 3 2 1, the power is turned off, the machine is turned off (show 3 2 1 process, the hand cannot leave the button)

#### ③ Lamp button

Press the button, lights on / off switch

(If there is a door light switch, the light will be on only when the light is turned off and the door is opened, and the light will be off when the door is closed. If you want the light to stay on, just turn it on. The door lamp switch will not be controlled.)

(If it is a lamp with multiple colors, change one color each time you press it.)

#### ④ Display Window

Displays the setting temperature

#### ⑤ Window

Displays the actual temperature

#### ⑥ Temperature setting up button

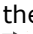

Press one time, window ④ the set value will increase 1 degree Celsius in the original setting temperature, the setting range according to customer requirements.

#### ⑦ Temperature setting down button

Press one time, window ④ the set value will reduce 1 degree Celsius in the original setting temperature, the setting range according to customer requirements

#### ⑧ C/F display conversion function keys

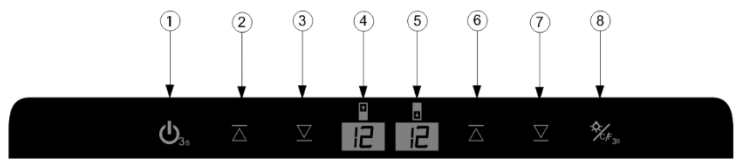
Set the conversion degrees Celsius / Fahrenheit display, each press this button, the display window will be into degrees Celsius or Fahrenheit.

Press ⑦⑧ button at the same time for 3 seconds, the window ④ will show "cycle  " symbol, it means the product will enter WI-FI searching function. The "  " symbol will disappear when the WI-FI connection is successful.

Press and hold ⑦⑧ button for 1 second to check the current WI-FI connection status.

If the symbol turns quickly, it means it is connecting now, the symbol turns slowly, it means the WI-FI connection is dropped, and the symbol does not turn, it means WI-FI connection is online.

## WC46DZSV1 DUAL ZONE DISPLAY BOARD OPERATING INSTRUCTION



### WC46DZSV1

#### ① "ON/OFF" the power button

Press the button 3 seconds to power off (Window ④ digital countdown displays 3, 2, 1,). Press again (without delay), the power turns on.

#### ② Upper zone temperature setting up button

Press one time, window ④ the set value will increase 1 degree Celsius in the original setting temperature, the setting range according to customer requirements.

#### ③ Upper zone temperature setting down button

Press one time, window ④ the set value will reduce 1 degree Celsius in the original setting temperature, the setting range according to customer requirements.

#### ④ Window

Display upper zone temperature.

#### ⑤ Window

Display lower zone temperature

#### ⑥ Lower zone temperature setting up button

press one time, window ⑤ the set value will increase 1 degree Celsius in the original setting temperature, the setting range accordingly to customer requirements.

#### ⑦ Lower zone temperature setting down button

press one time, window ⑤ the set value will reduce 1 degree Celsius in the original setting temperature, the setting range accordingly to customer requirements.

#### ⑧ Lamp button

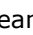
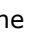
Press the button and the lamp turns on, the lamp will turn off once press again.

(If there is a door light switch, the light will be on only when the light is turned off and the door is opened, and the light will be off when the door is closed. If you want the light to stay on, just turn it on. The door lamp switch will not be controlled.)

(If it is a lamp with multiple colors, change one color each time you press it.)

#### ⑧ C/F display conversion function keys

Set the conversion degrees Celsius / Fahrenheit display, each press this button, the display window will be into degrees Celsius or Fahrenheit

Press ⑦⑧ button at the same time for 3 seconds, the window ④ will show "cycle  " symbol, it means the product will enter WI-FI searching function. The "  " symbol will disappear when the WI-FI connection is successful.

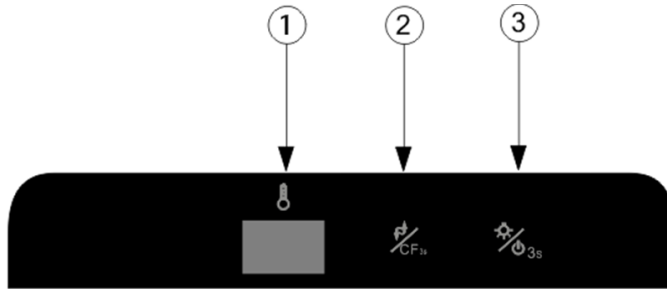
Press and hold ⑦⑧ button for 1 second to check the current WI-FI connection status.

If the symbol turns quickly, it means it is connecting now, the symbol turns slowly, it means the WI-FI connection is dropped, and the symbol does not turn, it means WI-FI connection is online.



# WC2743SSBC

## DISPLAY PANEL OPERATING INSTRUCTION



### WC2743SSBC

#### ① Display Window

Display the measured temperature inside the wine cooler;

#### ② Cycle Button (Temperature control / Fahrenheit Celsius conversion)

Each time, the temperature inside will drop 1 °C, until reduced to a minimum, and then a return to the highest temperature.

Press for 3 seconds, the window to achieve Celsius / Fahrenheit display conversion

#### ③ Cycle Button (Power switch / light switch conversion)

In standby mode: press and hold for 3 seconds, power is turned on, the machine starts

In the boot state: short press this button, LED lights on / off switch.

(If there is a door light switch, the light will be on only when the light is turned off and the door is opened, and the light will be off when the door is closed. If you want the light to stay on, just turn it on. The door lamp switch will not be controlled.)

(If it is a lamp with multiple colors, change one color each time you press it.)

In the boot state: press the button for 3 seconds, the power is off, the whole machine is closed.

Press ②③ button at the same time for 3 seconds, the window ① will show "cycle" symbol, it means the product will enter WI-FI searching function. The " " symbol will disappear when the WI-FI connection is successful.

Press and hold ②③ button for 1 second to check the current WI-FI connection status.

If the symbol turns quickly, it means it is connecting now, the symbol turns slowly, it means the WI-FI connection is dropped, and the symbol does not turn, it means WI-FI connection is online.

## ADJUSTABLE WOODEN SHELVES

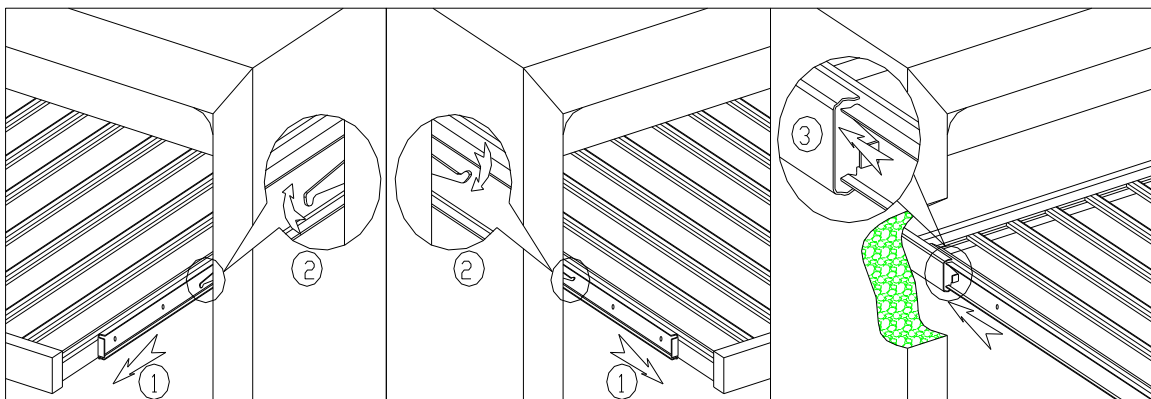
### ADJUSTABLE WOODEN SHELVES

Shelf installation and taking instruction:

Sliding wooden shelf installation and taking instruction:

Shelf taking: According to below instruction drawing to pull out the shelf to support bracket ①, press two sides of sliding roller buckles and pull out the shelf following the arrow mark ②.

Shelf installation: According to below instruction drawing to push in the shelf alignment with two sides of sliding roller following the arrow mark ③.



## REVERSIBILITY OF THE DOOR

**WARNING:** To avoid accidents during the process of changing the door, we recommend that you get assistance. The glass door is heavy and may cause injury if dropped.

Depending on to the model and the type of handle your wine cabinet is equipped with, you may have to rotate the door through 180 degrees.

*REMARK: WC2743SSBC with French doors, the doors do not reverse.*

### Tools & Parts required

1. Decorative nail
2. Small tool
3. Drop-proof device
4. M5 six angle
5. M5 six angle screwdriver
6. Door spindle core
7. Upper door hinge
8. Lower door hinge

1. To put the cabinet on open operation place, the door opened to the maximum angle.
2. Use small tool (2) to take off the decorative nail (1) on opposite side (Drawing 1).
3. Use the inner six angle screwdriver (Tool 5) to disassemble the screws (4) of drop-proof device (3), then remove the drop-proof device. (Drawing 1).
4. Hold the door, use six angle screwdriver (Tool 5) to screw out the door shaft core (6) from the two ends of the top of the door. Take out the door and set aside. (Drawing 2).

5. Discharge the upper and lower door hinge (7)(8) by M5 inner six angle screwdriver (Tool 5), then to assemble the door hinge on the opposite side. (Drawing 3 and 4).

6. Rotate the door 180 degrees, then install the door on the right side of the cabinet. (Drawing 5).

7. Finally, install the decorative nail and drop-proof device at the opposite side (Drawing 6).

8. To put the cabinet on open operation place, the door opened to the maximum angle.

9. Use small tool (2) to take off the decorative nail (1) on opposite side (Drawing 1).

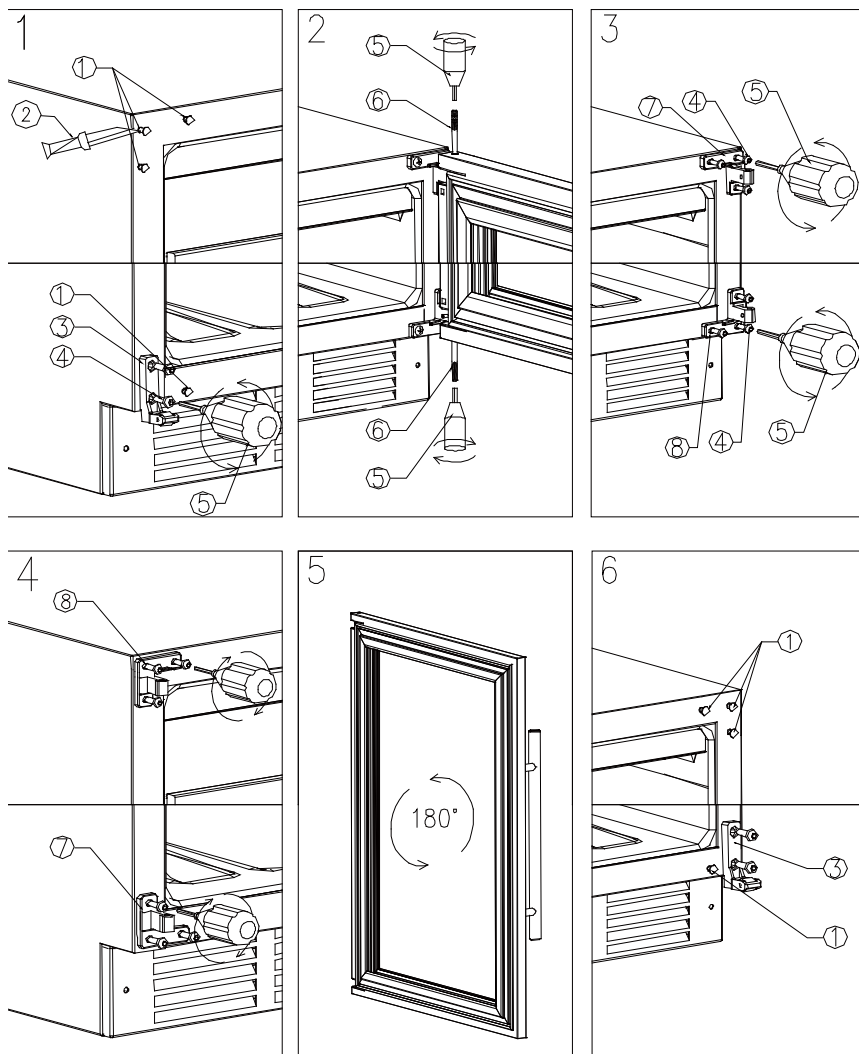
10. Use the inner six angle screwdriver (Tool 5) to disassemble the screws (4) of drop-proof device (3), then remove the drop-proof device. (Drawing 1).

11. Hold the door, use six angle screwdriver (Tool 5) to screw out the door shaft core (6) from the two ends of the top of the door. Take out the door and set aside. (Drawing 2).

12. Discharge the upper and lower door hinge (7)(8) by M5 inner six angle screwdriver (Tool 5), then to assemble the door hinge on the opposite side. (Drawing 3 and 4).

13. Rotate the door 180 degrees, then install the door on the right side of the cabinet. (Drawing 5).

14. Finally, install the decorative nail and drop-proof device at the opposite side (Drawing 6).



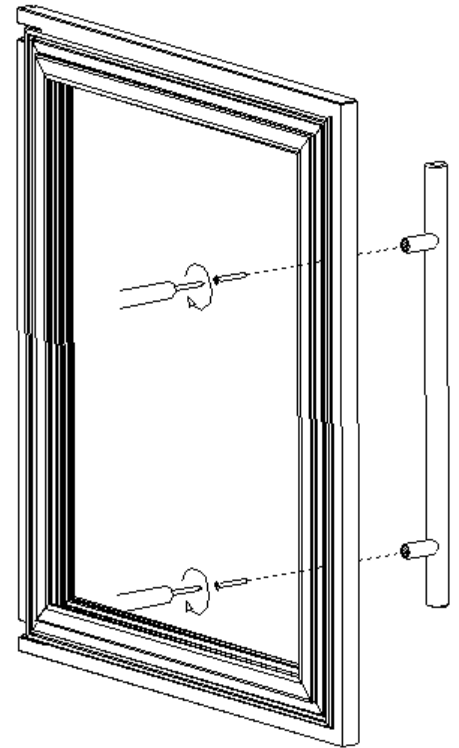
## HANDLE INSTALLATION METHOD

---

1. Take out handle from cabinet, then take out 2pcs screws from accessory bag  
(Note: the screws of some models have been put on the door. If the door is made of all black glass, two white insulating columns shall be sleeved on the screw holes to prevent the metal screws from bursting the glass.)
2. Pull open door seal from the side of door, then insert screws into the 2 handle holes on side of door, then put the screws alignment the hole of handle, tighten the screws by Phillips screwdriver, then compress the door seal

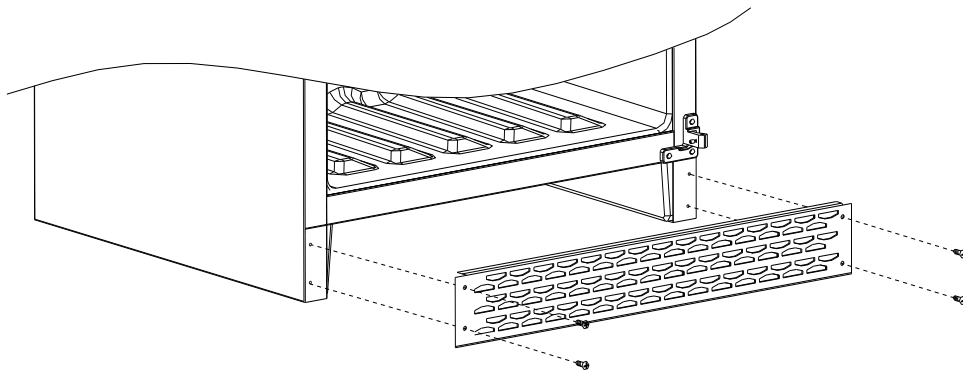
### NOTE

If the screws holes of the handle don't match perfectly with the holes of the door, please use the electric drill to drill the holes of the door a bit big (in surface side), in order to install the handle perfectly.



## VENTILATION KICK PLATE INSTALLATION METHOD

---



Take out Ventilation frame from cabinet, then take out 4 pcs 4 \* 12 screws from accessory bag.

Open the door, align the ventilation frame to the four screw holes in the bottom of the cabinet and tighten the screw with Phillips screwdriver.

## OPERATION ANOMALIES

Ensure that there is power to the electrical supply plug by connecting another electrical appliance to it. Check fuse, if any. Make sure that the door is closed properly.

If your wine cellar appears to be malfunctioning, unplug it and contact your after sales service. Any intervention on the cold circuit should be performed by a refrigeration technician who should carry out an inspection of the circuit sealing system. Similarly, any intervention on the electrical circuit should be performed by a qualified electrician.

**Notes:** *Any intervention performed by a non- authorized technician we will lead to the warranty being considered as null and void.*

### POWER FAILURES

In the event of a power interruption, all previous temperature settings are automatically preservation and it will revert to a preset temperature setting. (See preset chart)

Most power failures are corrected within a short period of time. An hour or two's loss of power will not affect wine cellar's temperatures. To avoid sudden change of temperature while the power is off, you should avoid opening the door. For longer period of power failure, do take steps to protect your wine.

**Irrespective of the cause, if you notice either abnormal temperature or humidity levels inside your wine cellar, be reassured that only long and frequent exposure to these abnormal conditions can cause a detrimental effect on your wines.**

## WI-FI APPLICATION



- 1- Search TUYA smart App in App Store or Google Play App, download and install it
- 2- Open the TUYA App and enter the Registration page.
- 3- Registration can be done using email or phone number, the country (region) will follow the settings of the mobile system, you can also manually change the country/region (after registration is completed, the country/region cannot be changed). After entering your phone number or email, click on "Get Verification Code». After entering the received verification code, you will be redirected to the password setting page. After setting the password according to the prompts below, click "Finish" to complete the registration.
- 4-
  - a. If you already have an TUYA smart App account, click "Log in with existing account" under "Create new account" to enter the login page.
  - b. The system automatically determines the current country/region, and you can also manually select a country/region.
  - c. Enter the phone number or email you used when registering, enter the password, and you can log in to the system.
  - d. Third party social account login.
  - e. If your phone has installed WeChat and QQ, click on the WeChat or QQ icon in the social account login area. After passing through the authorization page, you can log in to the system. If you are using an IOS system, you can also use your Apple ID to log in.
  - f. If you have a Line App account, you can also authorize login using the Line account.
- 5- After logging in, click and add device.
- 6- The following interface appears, click on Wi-Fi to enter Settings Wi-Fi.
- 7- Click on the Wi-Fi you want to connect to, enter the password, and enter the connection. (Note: Do not choose 5G network).
- 8- After setting up Wi Fi, click the "start search button" to display the product identification, and then click on it to display the product working status interface.
- 9- The product working status interface has two states: one is the actual working display status of the product. Another type is function setting, in which the desired temperature and humidity can be set. (Note: The upper and lower temperature zones in the diagram can also correspond to the left and right temperature zones.) Not all product have humidity setting function. It's based on different products.



## TROUBLE SHOOTING GUIDE

Common problems may easily be solved, saving you the cost of a possible service call. Please read carefully the instruction manual and revert to troubleshooting guide chart.

No.	PROBLEM	CAUSES & SOLUTIONS
1	My cellar is not working.	<p>Check if it is plugged in.</p> <p>The cellar is not turned ON.</p> <p>The circuit is closed or a fuse is blown.</p> <p>It should be the only device plugged into the outlet. It is recommended to provide a 15 amp circuit dedicated exclusively to the cellar.</p>
2	My cellar is not cooling enough.	<p>Check the temperature parameters on the control.</p> <p>The outdoor environment requires cooler temperature settings on the control.</p> <p>The door is often open.</p> <p>The door is not completely closed.</p> <p>The door seal does not close well.</p>
3	The temperature of my cellar often varies from 3-4 degrees. Is this normal?	<p>This is normal: slight differences in temperature are necessary for the proper functioning of the cellar. When the cellar begins a defrost cycle, the temperature rises a little. When the refrigeration system turns on again, the temperature cools down.</p> <p>These changes are taking place over short periods and their influences are too small to affect the conservation of the wine. The liquid tends to maintain an average temperature.</p>
4	My cellar does not maintain its temperature and the compressor often starts.	<p>Is your cellar filled to at least 50% of its capacity? Has your cellar been running for more than 48 hours?</p> <p>Your cellar is installed near a heat source (heater, door, window, stove, etc.).</p> <p>The door is not completely closed.</p> <p>The door seal does not close well.</p>
5	My cellar automatically closes ON / OFF frequently.	<p>The room temperature is warmer than normal.</p> <p>A lot of content has been added to the cellar.</p> <p>The door is opened too often.</p> <p>The temperature is not well adjusted.</p>
6	My unit is beeping constantly	<p>check if door is closed properly, unit is equipped with a open door alarm that sounds off after 3 minutes and shuts down the compressor ( cooling )</p>

No.	PROBLEM	CAUSES & SOLUTIONS
7	The light does not work.	<p>Is your cellar plugged in?</p> <p>The circuit is closed or a fuse is blown.</p> <p>The light is closed, use the control panel to turn it on (see Operations section).</p>
8	Too much vibration.	<p>Check if the unit is level.</p> <p>Make sure that no part inside your cellar (shelf / rail) or in the back, near the compressor, is not loose (pipes that rub on metal, broken fastener, etc.).</p>
9	My cellar seems to be making too much noise.	<p>Noise can come from the coolant, which is normal.</p> <p>At the end of each cycle, you can hear a gurgling sound caused by the coolant.</p> <p>The expansion and contraction of the interior walls can cause creaking noises.</p> <p>The unit is not level.</p> <p>The installation measures were not respected, leaving too much space between the cellar and the cabinets and amplifying the noise of the compressor and the fan at the back.</p> <p>The ceiling height and the size of the room (open area) may also increase the sound (echo effect).</p>
10	The door does not close properly.	<p>The unit is not level.</p> <p>The door was reversed and installed incorrectly.</p> <p>The door is open but the lock is locked.</p> <p>The gasket is dirty.</p> <p>Shelves are improperly installed on the rails or bottles that are too large or improperly placed prevent a shelf from closing.</p>
11	The door of my cellar is not equal to the box.	<p>Adjust the leveling feet at the front until the door is equal to the cellar.</p> <p>The hinge screws are not tight enough; replace the door equal to the box and tighten the screws.</p>
12	A shelf in my cellar is not level.	Make sure that the shelf is properly secured on its rails.
13	There is water on the floor of my cellar.	<p>Check that the drain is in the evaporation tray at the back of the cellar. If so, during very humid periods, you may need to soak up the excess water in the pan.</p> <p>Make sure the cellar is leveled from front to back and left to right.</p>



No.	PROBLEM	CAUSES & SOLUTIONS
14	Water collects inside my cellar.	This is a phenomenon observed especially in summer due to humidity. Check that the door seal is watertight. During very humid weather, it is recommended to sponge off the excess water that forms inside your cellar and if necessary in the back pan near the compressor.
15	There is frost on back wall of my cellar.	This is a very normal phenomenon when water vapours freeze. However, when the cooling cycle ends, the ice melts and runs down the drain. These drops normally evaporate.
16	There is steam / humidity between the thermal windows of my cellar.	During very wet periods, mainly in summer, this can happen.
17	The digital display shows HH or LL and a continuous beep is heard.	The temperature sensor is non-functional and must be replaced.

## Standard Features

Compressor operated: R600a
- Rated voltage/frequency (120V/60Hz)
- Automatic defrost
- Humidity: 65% RH +/-10% RH
- Black outer and inner finish
- Internal light
- Adjustable feet x 4
- Glass door
- Seamless stainless steel finish door frame

## Before disposal of the appliance.

1. Disconnect the main plug from the main socket.
2. Cut off the main cable and discard it.



This symbol on the product, or in its packaging, indicates that this product may not be treated as household waste. Instead, it should be taken to the appropriate waste collection point for the recycling of electrical and electronic equipment. By ensuring this product is disposed of correctly, you will help prevent potential negative consequences for the environment and human health, which could otherwise be caused by the inappropriate waste handling of this product. For more detailed information about the recycling of this product, please contact your local council, your household waste disposal service, or the shop where you purchased the product.



# WINE CELL'R™

Titanium

## INSTRUCTION & MAINTENANCE MANUAL

## MANUEL D'UTILISATION & ENTRETIEN



### MODELS – MODÈLES

---

**WC46DZSV1**

**WC54SZSV1**

**WC2743SSBC**

---



**PLEASE READ THIS MANUAL CAREFULLY BEFORE INSTALLATION AND USE.**

Thanks for purchasing one of our Wine Cell'R appliance. We hope that our advanced product will give your wine or beverage a different and joyful taste. Before using the device, please read and follow all safety rules and operating instructions.

**Register your device and activate  
your warranty on [winecellr.ca](http://winecellr.ca)**

---

**ENGLISH VERSION**

**PAGE 3**

---

**VERSION FRANÇAISE**

**PAGE 21**

---

**Enregistrer votre appareil et activez  
votre garantie sur [winecellr.ca](http://winecellr.ca)**

**VEUILLEZ LIRE ATTENTIVEMENT CE MANUEL AVANT L'INSTALLATION ET  
L'UTILISATION.**

Merci d'avoir acheté l'un de nos appareils Wine Cell'R, nous espérons que notre produit de pointe donnera à votre vin ou vos boissons un goût différent et agréable. Avant d'utiliser l'appareil, veuillez lire et respecter toutes les règles de sécurité et les instructions d'utilisation.

## TABLES DES MATIÈRES

---

➤ AVERTISSEMENTS & CONSIGNES DE SÉCURITÉ.....	<b>22</b>
➤ INSTALLATION.....	<b>24</b>
➤ DIAGRAMMES DIMENSIONNELS.....	<b>25</b>
➤ DESCRIPTION DU SYSTÈME DE RADIATEUR.....	<b>26</b>
➤ MISE EN MARCHÉ DE L'APPAREIL.....	<b>27</b>
➤ CHARGEMENT DE L'APPAREIL.....	<b>27</b>
➤ RÉGLAGES DE LA TEMPÉRATURE.....	<b>28</b>
➤ TABLETTES EN BOIS RÉGLABLES.....	<b>32</b>
➤ INVERSION DE LA PORTE.....	<b>32</b>
➤ INSTALLATION DE LA POIGNÉE.....	<b>33</b>
➤ INSTALLATION DU COUP DE PIED.....	<b>33</b>
➤ ANOMALIES DE FONCTIONNEMENT.....	<b>34</b>
➤ APPLICATION WI-FI.....	<b>34</b>
➤ GUIDE DE DÉPANNAGE.....	<b>35</b>



# AVERTISSEMENTS & CONSIGNES DE SÉCURITÉ

## Avant d'utiliser votre appareil

1. Déballez et retirez toutes les protections et les bandes adhésives de l'emballage extérieur et à l'intérieur de l'appareil.
2. Laissez reposer l'appareil en position verticale pour environ 24 heures avant de le brancher afin d'éviter toute complication au niveau du système de refroidissement.
3. Utilisez un chiffon doux avec de l'eau tiède pour nettoyer l'intérieur et l'extérieur.

## Conseils avant l'installation

Cet appareil est conçu pour une installation encastrable ou autoportante

- L'appareil est destiné à être utilisé exclusivement pour l'entreposage du vin & boissons.
- Placez votre cellier sur un sol plat suffisamment résistant pour le supporter lorsqu'il est complètement chargé.
- **Il est important que l'appareil soit mis à niveau** pour fonctionner correctement (vérifiez avec un niveau de gauche à droite et de l'avant vers l'arrière). Vous pouvez ajuster les pattes de l'appareil pour le mettre à niveau.
- Assurez-vous qu'il y ait suffisamment de personnes pour déplacer et installer l'appareil afin d'éviter tout dommage à l'appareil ou aux personnes. Lors du déplacement de l'appareil, **ne pas l'incliner à plus de 45 degrés**.
- L'appareil doit être installé loin des sources de chaleur telles que chauffage, radiateur, cuisinière, four. La lumière directe du soleil peut affecter le revêtement acrylique et les sources de chaleur peuvent augmenter la consommation d'énergie de l'appareil. Des températures ambiantes froides et extrêmes peuvent également entraîner des dysfonctionnements de l'appareil.
- Évitez de placer l'appareil dans un endroit humide.
- Une fois dans son emplacement, **attendez 24 heures avant de brancher l'appareil**.
- Assurez-vous que la tension / le courant indiqué sur l'étiquette correspond à votre tension d'alimentation. Branchez l'appareil dans une prise à 3 tiges, ne retirez pas la tige de mise à la terre. **N'utilisez pas d'adaptateur, ni de rallonge**.
- Il est recommandé de brancher l'appareil dans une barre d'alimentation avec protection contre les surtensions.
- Il est recommandé de prévoir un circuit séparé pour votre appareil.
- La taille du fusible (ou du disjoncteur) doit être de 15 ampères ou plus.
- Toute question concernant l'alimentation électrique et/ou la mise à la terre doit être adressée à un électricien ou un centre de service après-vente agréé.

## Importantes consignes de sécurité

Avant d'utiliser l'appareil, veuillez svp le positionner et l'installer convenablement selon les spécifications du manuel. Pour éviter un risque d'incendie, un choc électrique ou une blessure en se servant de l'appareil, veuillez lire et suivre les précautions suggérées dans ce manuel.

- Ne jamais nettoyer les pièces de l'appareil avec des liquides inflammables qui peuvent causer des risques d'incendie ou d'explosion.
- Ne pas entreposer du gaz ou autres produits inflammables près de l'appareil.
- Ne pas brancher ou débrancher l'appareil quand vos mains sont humides.
- Débranchez l'appareil ou coupez l'alimentation avant d'effectuer un appel de service, un entretien ou un nettoyage sur l'appareil. Ne pas suivre cette recommandation peut causer un choc électrique ou la mort.
- N'essayez pas de remplacer ou de réparer certaines pièces sur l'appareil à moins que cela ne soit spécifié dans le manuel, sinon veuillez vous référer à un technicien qualifié.
- Le devant de l'appareil ne doit en aucun cas être obstrué pour assurer une ventilation adéquate.
- L'utilisation de cet appareil est conçue et prévue pour des personnes ayant une connaissance suffisante du fonctionnement des appareils électriques. Toutes autres personnes (incluant les enfants) doivent être supervisées ou recevoir les instructions au préalable par une personne responsable de leur sécurité.
- Les enfants doivent être surveillés et ne doivent pas jouer avec l'appareil.
- Ne pas utiliser de produits à base de dissolvant ou d'abrasif à l'intérieur ou extérieur de l'appareil, car ces nettoyants pourraient décolorer l'intérieur ou l'extérieur.
- Ne pas utiliser cet appareil à d'autres fins que celles recommandées.
- L'utilisation d'une rallonge n'est pas recommandée par le fabricant et peut être dangereuse.
- Lorsque vous disposez de l'appareil, assurez-vous d'enlever la porte et de laisser les tablettes en place pour éviter des blessures. Assurez-vous que le circuit de refroidissement et de chaleur en bas à l'arrière de l'appareil n'est pas endommagé. Le symbole sur le produit ou sur son emballage indique que cet appareil n'est pas un produit qui doit être mis au rebut ménager, mais plutôt déposé dans un endroit de recyclage approprié pour les appareils électriques.

**AVERTISSEMENT !**

Les informations contenues dans ce document peuvent être modifiées sans préavis.

Nous n'offrons aucune garantie pour notre appareil s'il est utilisé à d'autres fins que celles pour lesquelles il a été spécifiquement conçu.

Nous ne pouvons être tenus responsables de toute erreur dans ce manuel.

Wine Cell'R n'est pas responsable de la détérioration ou des dommages causés aux vins ou à tout autre contenu, qu'ils soient accidentels ou consécutifs à un accident ou à une catastrophe naturelle.

La garantie s'applique uniquement à l'appareil et non au contenu de l'appareil.

**Il est dangereux pour toute personne autre qu'un technicien agréé d'effectuer l'entretien ou les réparations de cet appareil.**

- AVERTISSEMENT : Ne pas obstruer les ouvertures de ventilation dans l'enceinte de l'appareil ou dans la structure d'encastrement.
- AVERTISSEMENT : N'utilisez pas de dispositifs mécaniques ou d'autres moyens pour accélérer le processus de dégivrage, autres que ceux recommandés par le fabricant.
- AVERTISSEMENT : Ne pas endommager le circuit du réfrigérant.
- AVERTISSEMENT : N'utilisez pas d'appareils électriques à l'intérieur de l'appareil.
- AVERTISSEMENT : Si vous n'utilisez pas l'appareil pendant une période prolongée, débranchez la fiche de la prise de courant ou coupez l'alimentation électrique.
- AVERTISSEMENT : Les enfants doivent être surveillés afin de s'assurer qu'ils ne jouent pas avec l'appareil.
- AVERTISSEMENT: N'utilisez pas de rallonges ou d'adaptateurs non mis à la terre (à deux broches).
- AVERTISSEMENT: Si le cordon d'alimentation est endommagé, il doit être remplacé par le fabricant, son agent de service ou une personne qualifiée similaire afin d'éviter tout danger.

**R600a AVERTISSEMENTS**

Pour votre sécurité, respectez les recommandations suivantes:

- Cet appareil contient une petite quantité de réfrigérant R600a qui est respectueux de l'environnement, mais inflammable. Il n'endommage pas la couche d'ozone et n'augmente pas l'effet de serre.
- Lors du transport et de l'installation, veillez à ce que la tuyauterie du circuit frigorifique ne soit pas endommagée.
- Évitez d'utiliser ou de manipuler des objets tranchants à proximité des appareils.
- Les fuites de réfrigérant peuvent s'enflammer et provoquer des lésions oculaires.
- En cas de dommage, évitez d'exposer l'appareil à des feux ouverts et à tout dispositif créant une étincelle. Débranchez l'appareil du réseau électrique.
- Aérez soigneusement la pièce dans laquelle se trouve l'appareil pendant plusieurs minutes.
- Prévenir le service clientèle pour obtenir les mesures et les conseils nécessaires.
- Le local d'installation de l'appareil doit avoir une capacité d'au moins 1 mètre cube pour 8 grammes de fluide frigorigène. La quantité de réfrigérant contenue dans cet appareil est indiquée ci-dessus en grammes ; elle est également notée sur la plaque signalétique de l'appareil.
- AVERTISSEMENT : Pour éviter tout risque d'instabilité de l'appareil, celui-ci doit être fixé conformément aux instructions.
- Le symbole  est un avertissement et indique que le réfrigérant et le gaz de soufflage de l'isolation sont inflammables.
- Avertissement : Risque d'incendie / matériaux inflammables.
- AVERTISSEMENT - Ne stockez pas de substances explosives telles que des bombes aérosols contenant un gaz propulseur inflammable dans cet appareil.
- AVERTISSEMENT - Lors du positionnement de l'appareil, veillez à ce que le cordon d'alimentation ne soit pas coincé ou endommagé.
- AVERTISSEMENT - Ne placez pas de prises de courant multiples ou de blocs d'alimentation portables à l'arrière de l'appareil.
- AVERTISSEMENT - Le réfrigérant et le gaz de soufflage de l'isolation sont inflammables. Lorsque vous vous débarrassez de l'appareil, ne le faites que dans un centre d'élimination des déchets agréé. Ne pas exposer l'appareil à une flamme.



# INSTALLATION



ATTENDEZ 24 HEURES AVANT DE BRANCHER L'APPAREIL ET LE METTRE EN MARCHÉ. DURANT CETTE PÉRIODE, NOUS VOUS RECOMMANDONS DE LAISSER LA PORTE OUVERTE AFIN D'ÉLIMINER TOUTE ODEUR RÉSIDUELLE.

## AVANT DE PROCÉDER AU BRANCHEMENT ET REMPLIR VOTRE APPAREIL

Le non-respect des spécifications ci-dessus peut entraîner l'annulation de la GARANTIE.

### Recommandations

L'emplacement que vous avez choisi pour votre appareil doit :

- Être dégagé et bien ventilé.
- Être bien éloigné de toute source de chaleur et de la lumière directe du soleil.
- Ne pas être trop humide (buanderie, garde-manger, salle de bain, etc.).
- Être installé sur un sol plat.
- Disposer d'une alimentation électrique standard et fiable (prise standard aux normes du pays, reliée à la terre), il n'est PAS recommandé d'utiliser une multiprise ou une rallonge.
- Disposer d'un parasurtenseur installé sur la prise électrique.
- Être éloigné du four à micro-ondes. Certains fours à micro-ondes ne sont pas dotés d'une protection contre les interférences d'ondes. Lorsqu'ils sont placés à moins d'un mètre de l'appareil, ils peuvent affecter le fonctionnement de l'unité.

### Notes

Les modèles WC46DZSV1 WC54SZSV1 WC2743SSBC sont à la fois encastrables et autoportant conformément aux diagrammes d'installation.

L'unité doit être placée dans un endroit où la température ambiante est appropriée. Si la température est supérieure ou inférieure à cette plage, les performances de l'appareil s'en trouveront affectées. Si elle est placée dans des conditions de température froide ou chaude, la température de l'unité peut fluctuer et elle n'atteindra pas la température idéale.

### Instructions de mise à la terre

L'appareil doit être mis à la terre en cas de fuite de fils. La mise à la terre réduit le risque de choc électrique. L'appareil est équipé d'un cordon d'alimentation muni d'un fil et d'une fiche de mise à la terre. Le cordon d'alimentation doit être branché dans une prise électrique correctement fixée et mise à la terre.

**Remarque :** dans les endroits où la foudre est fréquente, il est conseillé d'utiliser des parasurtenseurs.

Une mauvaise utilisation de la fiche de mise à la terre peut entraîner un risque d'électrocution. Consultez un électricien ou un technicien qualifié si vous ne comprenez pas parfaitement les instructions relatives à la mise à la terre. Si le cordon d'alimentation est endommagé, il doit être remplacé par une personne qualifiée afin d'éviter tout risque électrique.

### INSTALLATION DE L'APPAREIL

Déballiez et retirez toutes les protections et bandes adhésives de l'emballage autour et à l'intérieur de l'appareil. L'unité doit être placée de manière à ce que la prise soit accessible. Débranchez le cordon d'alimentation. Déplacez votre appareil à son emplacement définitif. L'unité doit être installée dans un endroit approprié où le compresseur ne sera pas soumis à un contact physique.

**Remarque :** L'appareil doit être placé de manière à ce que la prise soit accessible une fois installée.

### Mise à niveau de votre appareil

L'appareil doit être mis à niveau AVANT le chargement des vins et/ou breuvages.



Votre appareil est équipé de 4 pieds réglables pour faciliter la mise à niveau. Nous vous recommandons de serrer les pieds arrière au maximum et d'ajuster les pieds avant pour mettre l'appareil à niveau.

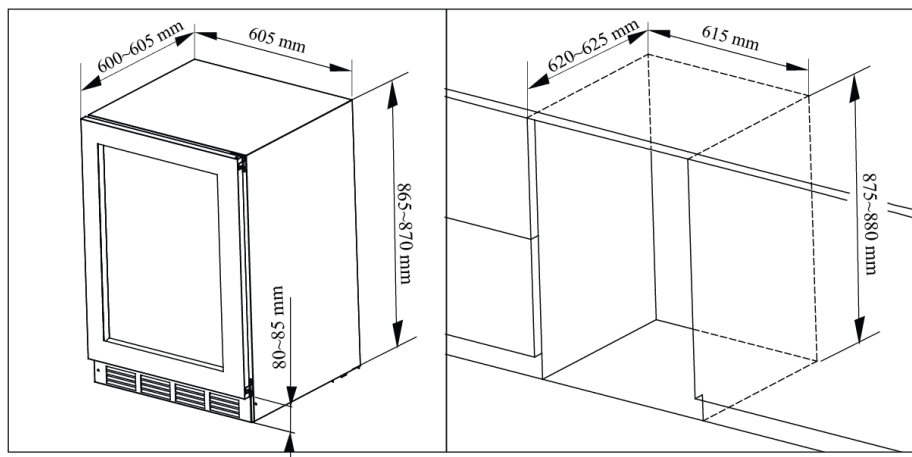
### INSTRUCTIONS D'INSTALLATION POUR LES APPAREILS ENCASTRÉS

1. Les appareils « encastrés » sont à ventilation frontale mais ne sont pas conçus pour être entièrement intégrés derrière une porte de menuiserie.
2. Veuillez suivre le schéma d'encastrement. Les dimensions d'installation ne doivent pas être inférieures aux dimensions minimales, sous peine d'affecter l'aération de l'unité.
3. Les appareils encastrés aspirent l'air par la droite de la grille de ventilation et l'expulsent par la gauche de la grille de ventilation sous la porte avant.
4. Les unités encastrables sont équipées d'un interrupteur situé sur le panneau de commande ; l'emplacement du point d'alimentation n'est donc pas critique.
5. L'appareil nécessite une prise de courant standard de 120 volts / 15 ampères.
6. Le cordon d'alimentation mesure 2,0 m de long et est fixé sur le côté droit, à l'arrière, lorsque l'on regarde l'avant de l'appareil.
7. Comme la plupart des appareils d'aujourd'hui, l'unité contient des composants électroniques sensibles qui sont susceptibles d'être endommagés par la foudre et les pannes.

## DIAGRAMMES DIMENSIONNELS

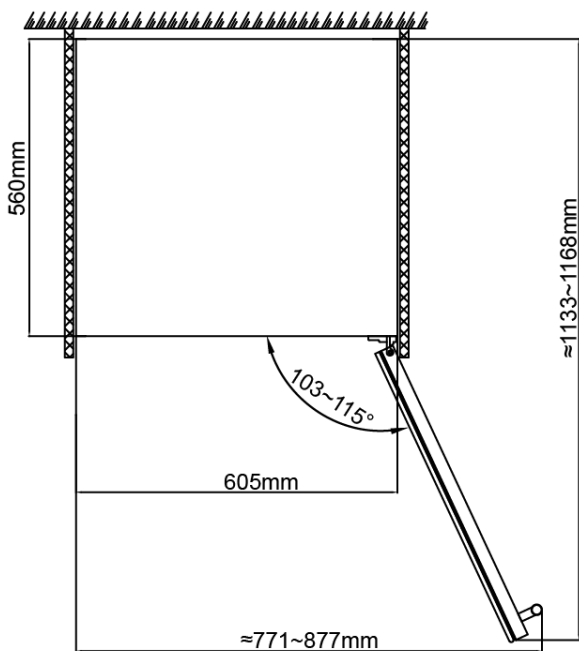
### MODÈLES WC46DZSV1 WC54SZSV1 WC2743SSBC

Il s'agit d'un modèle encastrable dans une armoire, celle-ci doit disposer d'un bon espace de ventilation, sinon cela affectera le fonctionnement normal de l'appareil.  
(Schéma d'installation ci-dessous)

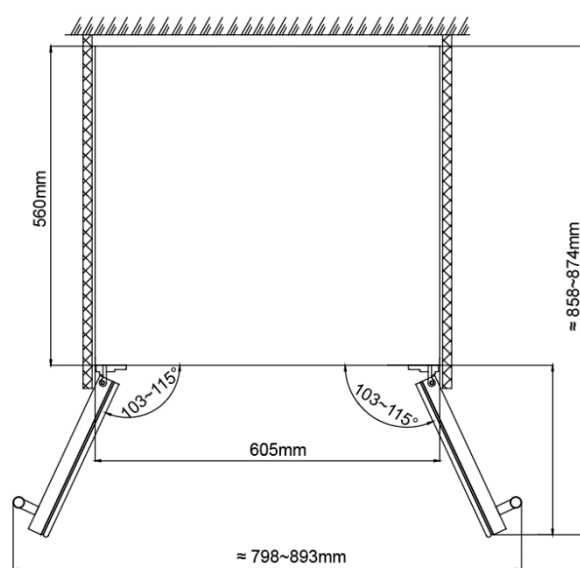


### DIAGRAMMES DES DIMENSIONS DE L'ANGLE OUVERT

#### MODÈLES WC46DZSV1 WC54SZSV1

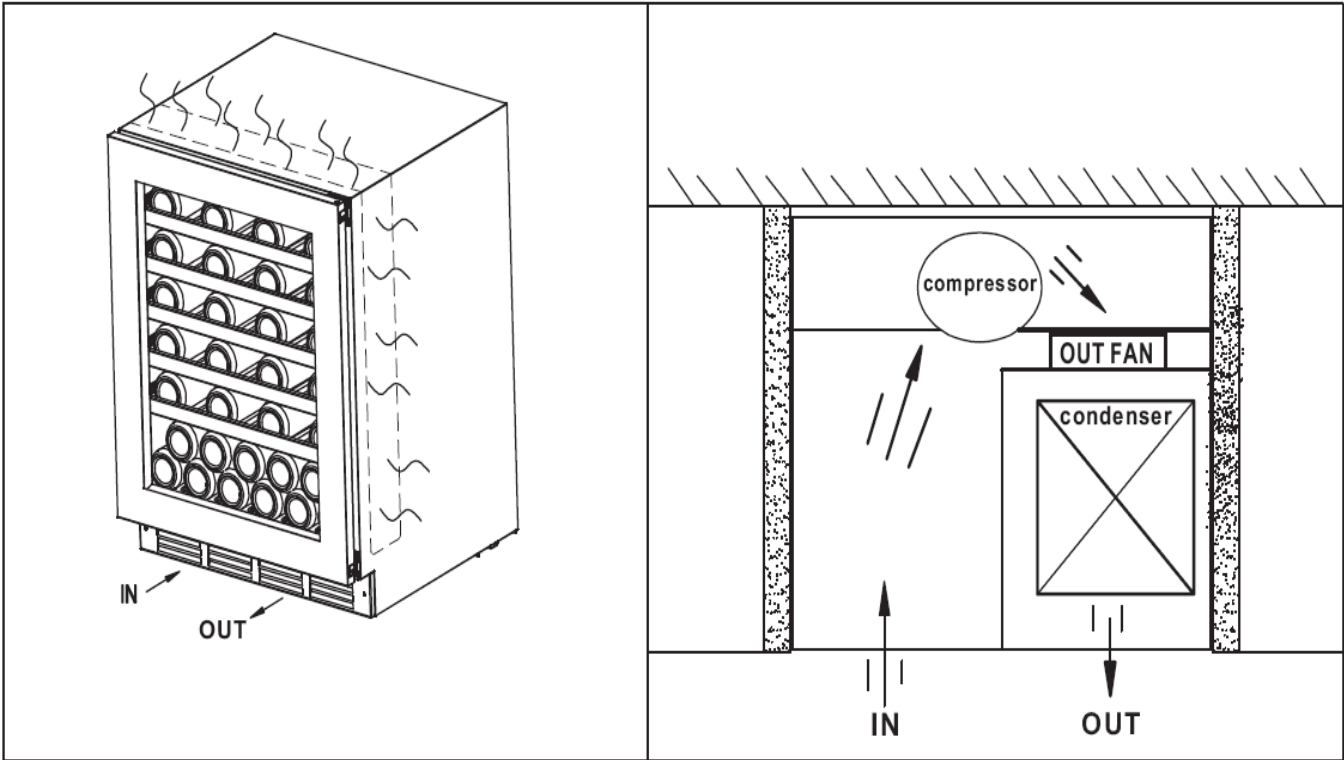


#### MODÈLE WC2743SSBC



# DESCRIPTION DU SYSTÈME DE RADIATEUR

Les modèles WC46DZSV1 WC54SZSV1 WC2743SSBC  
utilisent un tube antibuée latéral et un système de refroidissement indépendant



## MISE EN MARCHÉ DE L'APPAREIL

Branchez et allumez l'appareil en appuyant sur le bouton d'alimentation **pendant quelques secondes**. Lors de la première utilisation de l'appareil (ou du redémarrage de la l'appareil après une longue période d'arrêt), il y aura un écart de quelques degrés entre la température que vous avez sélectionnée et celle indiquée sur l'afficheur DEL. Ceci est normal et est dû à la durée du temps d'activation. Une fois que l'appareil aura fonctionné pendant quelques heures, tout se stabilisera.

**Important : si l'appareil est débranché, s'il y a une coupure de courant ou s'il est éteint, attendez 3 à 5 minutes avant de le redémarrer. L'appareil ne démarrera pas si vous tentez de le redémarrer avant ce délai.**

### Bruits de fonctionnement

Pour atteindre les températures souhaitées, nos appareils, comme tous les appareils fonctionnant avec des compresseurs et des ventilateurs, peuvent produire les types de bruits suivants. Ces bruits sont normaux et peuvent se produire comme suit :

- Gargouillis - causé par le fluide frigorigène qui circule dans les serpentins de l'appareil.
- Bruits de craquement/d'éclatement - résulte de la contraction et de l'expansion du gaz réfrigérant pour produire du froid.
- Bruit de fonctionnement du ventilateur - pour faire circuler l'air à l'intérieur de l'appareil.

*La perception du bruit par un individu est directement liée à l'environnement dans lequel se trouve l'unité, ainsi qu'au type spécifique de modèles. Nos appareils sont conformes aux normes internationales applicables à ce type d'appareil. Nous ferons toujours tout notre possible pour satisfaire nos clients, mais nous ne reprendrons pas possession des marchandises en raison de plaintes fondées sur des bruits de fonctionnement normaux.*

## CHARGEMENT DE L'APPAREIL



Vous pouvez charger vos bouteilles de vin en rangées simples ou doubles en tenant compte de ce qui suit : si vous n'avez pas assez de bouteilles pour remplir votre cellier, il est préférable de répartir la charge dans toute la cave afin d'éviter les charges de type "tout en haut" ou "tout en bas".

- Enlevez ou déplacez les tablettes en bois réglables pour accueillir des bouteilles plus grandes ou pour augmenter la capacité de l'appareil en empilant les bouteilles si nécessaire (voir diagramme tablettes en bois réglables).
- Gardez un petit espace entre les parois et les bouteilles pour permettre la circulation de l'air. Comme dans une cave souterraine, la circulation de l'air est importante pour éviter les moisissures et pour assurer une température plus homogène dans l'appareil.
- Ne surchargez pas votre appareil pour faciliter la circulation de l'air.
- N'empilez pas plus de 1 rangée et demi de bouteilles standard de 0,75 L par tablette pour faciliter la circulation de l'air.
- Évitez d'obstruer les ventilateurs internes (situés à l'intérieur sur le panneau arrière de l'appareil).
- Ne pas faire coulisser les tablettes vers l'extérieur au-delà de la position fixe pour éviter que les bouteilles ne tombent.
- Ne tirez pas plus d'une tablette chargée à la fois, car cela pourrait faire basculer l'appareil vers l'avant.
- Ne recouvrez pas les tablettes en bois de feuilles d'alliage ou d'autres matériaux, car cela entraverait la circulation de l'air.
- Ne déplacez pas votre appareil lorsqu'il est chargé de bouteilles. Cela pourrait déformer la structure de l'appareil et provoquer des blessures.

### TYPES DE RÉGULATION

Veillez noter qu'en fonction du chargement et des réglages choisis, il faut environ 24 heures pour que l'appareil voit sa température se stabiliser. Pendant ce temps, l'éclairage DEL semble bouger de façon erratique en particulier, ceci est normal et ce processus se produit chaque fois que le réglage est modifié et/ou chaque fois qu'une grande quantité de bouteilles est ajoutée à l'appareil.

Conçue pour conserver et faire mûrir tous les vins : rouges, blancs et mousseux. Ces caves à vin reproduisent les conditions idéales de conservation du vin, à une température constante recommandée de 12°C. Elles peuvent également être réglées pour offrir une température de service idéale permettant d'apprécier pleinement les qualités du vin. Sauf indication contraire sur la bouteille, nous recommandons une température de 7°C pour le champagne, de 12°C pour les vins blancs et de 18°C pour les vins rouges. (Voir le tableau de recommandations « Température de service du vin »).



# RÉGLAGES DE LA TEMPÉRATURE

**Important : Le panneau DEL affiche par défaut la température réelle de l'air intérieur.**

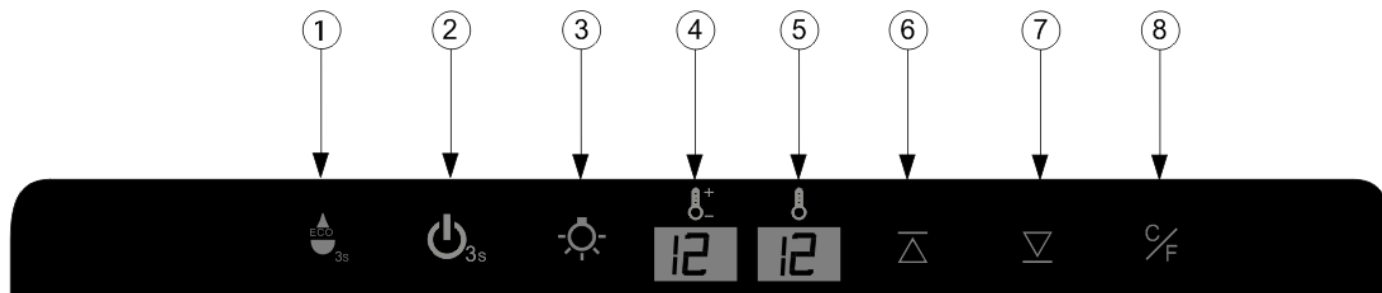
La température de l'alimentation, avant tous les réglages, sera reprise après l'alimentation électrique à la température pré-réglée. Le tableau électrique de tous les modèles est doté d'une fonction de mémorisation.

Il est important de comprendre qu'il existe une différence entre la température de l'air à l'intérieur de l'appareil et la température réelle du vin/boisson: vous devrez attendre environ 12 heures avant de remarquer les effets de l'ajustement de la température en raison de la masse critique à l'intérieur d'un appareil plein.

Une fois la température réglée, il est fortement déconseillé de jouer avec celle-ci ou de l'ajuster fréquemment. Le thermostat maintiendra la température à l'intérieur de l'appareil dans une fourchette de +/- 2,5°C. Mais l'inertie thermique du vin et du verre est telle que, dans cette plage de température, la température réelle du vin ne variera que de 0,5 à 1 °C.

## WC54SZSV1 1 ZONE

### OPÉRATIONS DU PANNEAU DE CONTRÔLE



#### ① Mode économie d'énergie

Appuyez sur le bouton pendant 3 secondes pour passer en mode économie d'énergie, appuyez sur ⑥⑦ pour sortir du mode économie d'énergie.

#### ② ON/OFF le bouton d'alimentation

En mode veille : appuyez sur le bouton pendant 3 secondes, l'appareil est mis sous tension et démarre.

En mode de mise sous tension : appuyez sur le bouton d'alimentation, la fenêtre 4 affiche le compte à rebours 3 2 1, l'alimentation est coupée, la machine est éteinte (processus 3 2 1, la main ne peut pas quitter le bouton).

#### ③ Bouton d'éclairage

Appuyez sur le bouton, l'éclairage s'allume et s'éteint.

(S'il y a un interrupteur pour l'éclairage de la porte, la lumière ne s'allumera que lorsque la lumière est éteinte et que la porte est ouverte, et la lumière s'éteindra lorsque la porte est fermée. L'interrupteur de la lampe de la porte ne sera pas contrôlé.) S'il s'agit d'un éclairage à plusieurs couleurs, changez de couleur à chaque fois que vous appuyez sur l'interrupteur.

#### ④ Fenêtre d'affichage

Affiche la température de réglage

#### ⑤ Fenêtre :

Affiche la température actuelle

#### ⑥ Touche de réglage de la température :

Appuyez une fois, la fenêtre ④ la valeur réglée augmentera de 1 degré Celsius dans la température de réglage d'origine, la plage de réglage selon les exigences du client.

#### ⑦ Touche de réglage de la température vers le bas

Appuyer une fois, fenêtre ④ la valeur réglée diminuera de 1 degré Celsius par rapport à la température de réglage d'origine, la plage de réglage est en fonction des besoins du client.

#### ⑧ C/F : Touches de fonction de conversion de l'affichage

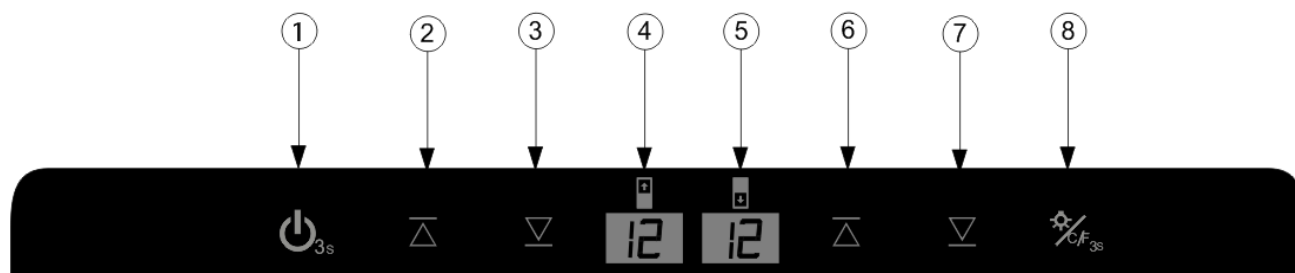
Régler la conversion degrés Celsius / Fahrenheit de l'affichage, chaque fois que vous appuyez sur cette touche, la fenêtre d'affichage sera en degrés Celsius ou Fahrenheit.

Appuyez sur le bouton ⑦⑧ en même temps pendant 3 secondes, la fenêtre ④ affichera le symbole « cycle » (un rectangle avec des flèches tournantes), cela signifie que le produit entrera dans la fonction de recherche WI-FI. Le symbole « » disparaîtra lorsque la connexion WI-FI est réussie.

Appuyez et maintenez enfoncé le bouton ⑦⑧ pendant 1 seconde pour vérifier l'état actuel de la connexion WI-FI. Si le symbole tourne rapidement, cela signifie qu'il est en cours de connexion, le symbole tourne lentement, cela signifie que la connexion WI-FI est interrompue et le symbole ne tourne pas, cela signifie que la connexion WI-FI est en ligne.

## WC46DZSV1 2 ZONES

### OPÉRATIONS DU PANNEAU DE CONTRÔLE



#### ① « ON/OFF » le bouton d'alimentation

Appuyez sur le bouton 3 secondes pour éteindre l'appareil (le compte à rebours numérique de la fenêtre ④ affiche 3, 2, 1,). Appuyez à nouveau (sans délai), l'appareil se met en marche.

#### ② Bouton de réglage de la température de la zone supérieure

Appuyer une fois, fenêtre ④ la valeur réglée augmentera de 1 degré Celsius dans la température de réglage d'origine, la plage de réglage selon les exigences du client.

#### ③ Bouton de réglage de la température de la zone supérieure vers le bas

Appuyer une fois, fenêtre ④ la valeur réglée diminuera de 1 degré Celsius par rapport à la température de réglage d'origine, la plage de réglage est en fonction des besoins du client.

#### ④ Fenêtre

Affiche la température de la zone supérieure.

#### ⑤ Fenêtre

Affichage de la température de la zone inférieure

#### ⑥ Bouton de réglage de la température de la zone inférieure

appuyer une fois, fenêtre ⑤ la valeur réglée augmentera de 1 degré Celsius dans la température de réglage d'origine, la plage de réglage en fonction des exigences du client.

#### ⑦ Bouton de réglage de la température de la zone inférieure

appuyer une fois, fenêtre ⑤ la valeur réglée diminuera de 1 degré Celsius par rapport à la température de réglage d'origine, la plage de réglage correspondant aux besoins du client.

#### ⑧ Bouton de la lampe

Appuyez sur le bouton et l'éclairage s'allume, la lumière s'éteint une fois que vous appuyez à nouveau sur le bouton. (S'il y a un interrupteur de l'éclairage de porte, la lumière ne s'allumera que lorsque la lumière est éteinte et que la porte est ouverte, et la lumière s'éteindra lorsque la porte est fermée. L'interrupteur de l'éclairage de la porte ne sera pas contrôlé.). S'il s'agit d'une lampe à plusieurs couleurs, changez de couleur à chaque fois que vous appuyez sur l'interrupteur.

#### ⑧ C/F touches de fonction de conversion de l'affichage

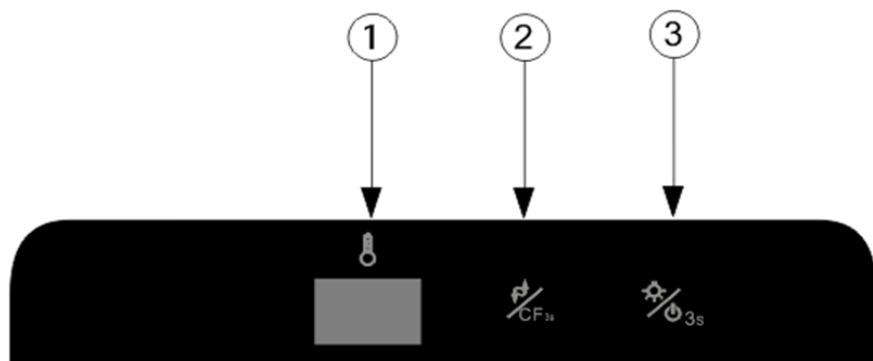
Régler la conversion degrés Celsius / Fahrenheit, chaque fois que vous appuyez sur cette touche, la fenêtre d'affichage se transforme en degrés Celsius ou Fahrenheit. La fenêtre d'affichage se transforme en degrés Celsius ou Fahrenheit.

Appuyez sur le bouton ⑦⑧ en même temps pendant 3 secondes, la fenêtre ④ affichera le symbole « cycle » (cercle avec deux flèches), cela signifie que le produit entrera dans la fonction de recherche WI-FI. Le symbole « cycle » disparaîtra lorsque la connexion WI-FI est réussie.

Appuyez et maintenez enfoncé le bouton ⑦⑧ pendant 1 seconde pour vérifier l'état actuel de la connexion WI-FI.

Si le symbole tourne rapidement, cela signifie qu'il est en cours de connexion, le symbole tourne lentement, cela signifie que la connexion WI-FI est interrompue et le symbole ne tourne pas, cela signifie que la connexion WI-FI est en ligne.

## WC2743SSBC OPÉRATIONS DU PANNEAU DE CONTRÔLE



### ① Fenêtre d'affichage

Affiche la température mesurée à l'intérieur du refroidisseur de vin ;

### ② Bouton de cycle (contrôle de la température / conversion Fahrenheit Celsius)

Chaque fois, la température à l'intérieur diminuera de 1 °C, jusqu'à ce qu'elle soit réduite à un minimum, puis un retour à la température la plus élevée.

Appuyez le bouton sur pendant 3 secondes, la fenêtre pour obtenir la conversion de l'affichage Celsius / Fahrenheit.

### ③ Bouton de cycle (conversion interrupteur d'alimentation / interrupteur d'éclairage)

En mode veille : appuyez sur ce bouton et maintenez-le enfoncé pendant 3 secondes, l'appareil est mis sous tension et démarre.

Dans l'état de démarrage : appuyez brièvement sur ce bouton, la LED s'allume / s'éteint.

(S'il y a un interrupteur d'éclairage de porte, l'éclairage ne s'allume que lorsque l'éclairage est éteint et que la porte est ouverte, et l'éclairage s'éteint lorsque la porte est fermée. L'interrupteur de la lampe de la porte ne sera pas contrôlé.)

(S'il s'agit d'une lampe à couleurs multiples, changez de couleur à chaque fois que vous appuyez sur le bouton). En état de démarrage : appuyez sur le bouton pendant 3 secondes, l'alimentation est coupée, l'ensemble de la machine est fermé.

Appuyez sur le bouton ②③ en même temps pendant 3 secondes, la fenêtre ① affichera le symbole « cycle » , cela signifie que le produit entrera dans la fonction de recherche WI-FI. Le symbole « » disparaîtra lorsque la connexion WI-FI est réussie.

Appuyez et maintenez enfoncé le bouton ②③ pendant 1 seconde pour vérifier l'état actuel de la connexion WI-FI.

Si le symbole tourne rapidement, cela signifie qu'il est en cours de connexion, le symbole tourne lentement, cela signifie que la connexion WI-FI est interrompue et le symbole ne tourne pas, cela signifie que la connexion WI-FI est en ligne.

## TABLEAU DES TEMPÉRATURES DE SERVICE DES VINS

Tous les vins mûrissent à la même température, c'est-à-dire à une température constante comprise entre 12°C et 14°C. Le tableau ci-dessous est un tableau de température indicatif pour indiquer la meilleure température de consommation.

Champagne NV, mousseux, spumante 6°C

Blanc sec Sémillon, Sauvignon Blanc 8°C

Champagne Vintage, 10°C

Chardonnay blanc sec 10°C

Gewürztraminer blanc sec, Riesling, Pinot Grigio 10°C

Sauternes blanc doux, Barsac, Montbazillac, vin de glace, vendanges tardives 10°C

Beaujolais 13°C

Blanc doux Millésimé : Sauternes... 14°C

Chardonnay blanc millésimé 14°C

Pinot noir rouge, 16°C

Grenache rouge, Syrah 16°C

Pinot Noir rouge millésimé 18°C

Cabernet et Merlot : français, australien, néo-zélandais, 20°C

Chilien, italien, espagnol, californien, argentin...

Vintage Bordeaux ... Température ambiante ne dépassant pas 20°C

## INFORMATIONS IMPORTANTES SUR LA TEMPÉRATURE

Votre appareil a été conçu pour garantir des conditions optimales de conservation et/ou de service de vos vins.

Les grands vins nécessitent une évolution longue et douce et ont besoin de conditions spécifiques pour atteindre leur plein potentiel.

Tous les vins mûrissent à la même température, c'est-à-dire à une température constante comprise entre 12°C et 14°C. Seule la température de dégustation varie en fonction du type de vin (voir le « Tableau des températures de service du vin » ci-dessus). Ceci étant dit et comme pour les caves naturelles utilisées par les producteurs de vin pour de longues périodes de stockage, ce n'est pas la température exacte qui est importante, mais sa constance. En d'autres termes, tant que la température de votre appareil est constante (entre 12°C et 14°C), vos vins seront conservés dans des conditions parfaites.

Tous les vins ne se bonifient pas avec les années. Certains doivent être consommés précocement (2 à 3 ans) tandis que d'autres ont une grande capacité de vieillissement (50 ans et plus). Tous les vins ont un pic de maturité. Renseignez-vous auprès de votre caviste pour obtenir les informations nécessaires.

## DÉGIVRAGE/CONDENSATION/HYGROMÉTRIE/ VENTILATION

Votre appareil est équipé d'un système de dégivrage « Auto-cycle ». Pendant le « cycle mort », les surfaces réfrigérées de l'appareil se dégivrent automatiquement. L'eau de dégivrage du compartiment de stockage de l'appareil s'écoule automatiquement et une partie de cette eau va dans un récipient de drainage, qui est situé à l'arrière de l'appareil, à côté du compresseur. La chaleur est transférée du compresseur et évapore la condensation qui s'est accumulée dans le bac. Une partie de l'eau restante est recueillie dans la cave à vin à des fins d'humidité. Ce système permet de créer le niveau d'humidité correct à l'intérieur de votre appareil, nécessaire au liège naturel pour maintenir une étanchéité durable.

**Remarques :** L'eau recueillie par condensation est donc recyclée. Dans des conditions environnementales extrêmement sèches, il se peut que vous deviez ajouter un peu d'eau dans le réservoir d'eau fourni avec votre appareil.

Tous les appareils sont équipés d'une porte en verre à double vitrage qui comporte une troisième couche interne en acrylique afin de minimiser la condensation sur la porte en verre.

L'appareil n'est pas totalement étanche ; l'entrée d'air frais est effectuée par le tuyau d'évacuation. L'air circule dans la cave grâce à un ou plusieurs ventilateurs et aux étagères creuses.

**Remarques :** Pendant le cycle de réfrigération, la chaleur se dégage et se disperse à travers les surfaces extérieures de l'appareil. Évitez de toucher les surfaces pendant ces cycles.

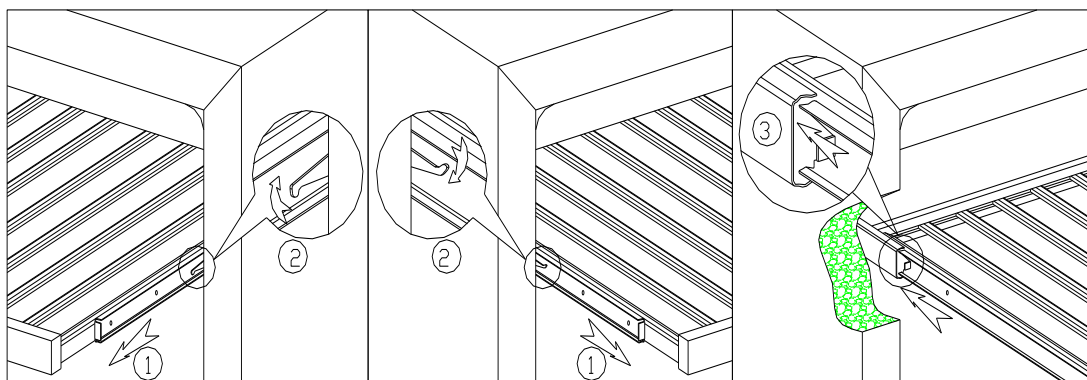


# TABLETTES EN BOIS RÉGLABLES

Instructions pour l'installation et l'utilisation des tablettes coulissantes en bois.

Retrait de la tablette: Selon le dessin ci-dessous, tirer la tablette sur le support ①, appuyer sur les deux côtés des boucles des rouleaux coulissants et tirer la tablette en suivant la flèche ②.

Installation de la tablette : Conformément aux instructions ci-dessous, pousser la tablette en l'alignant avec les deux côtés du rouleau coulissant en suivant la marque de la flèche ③.



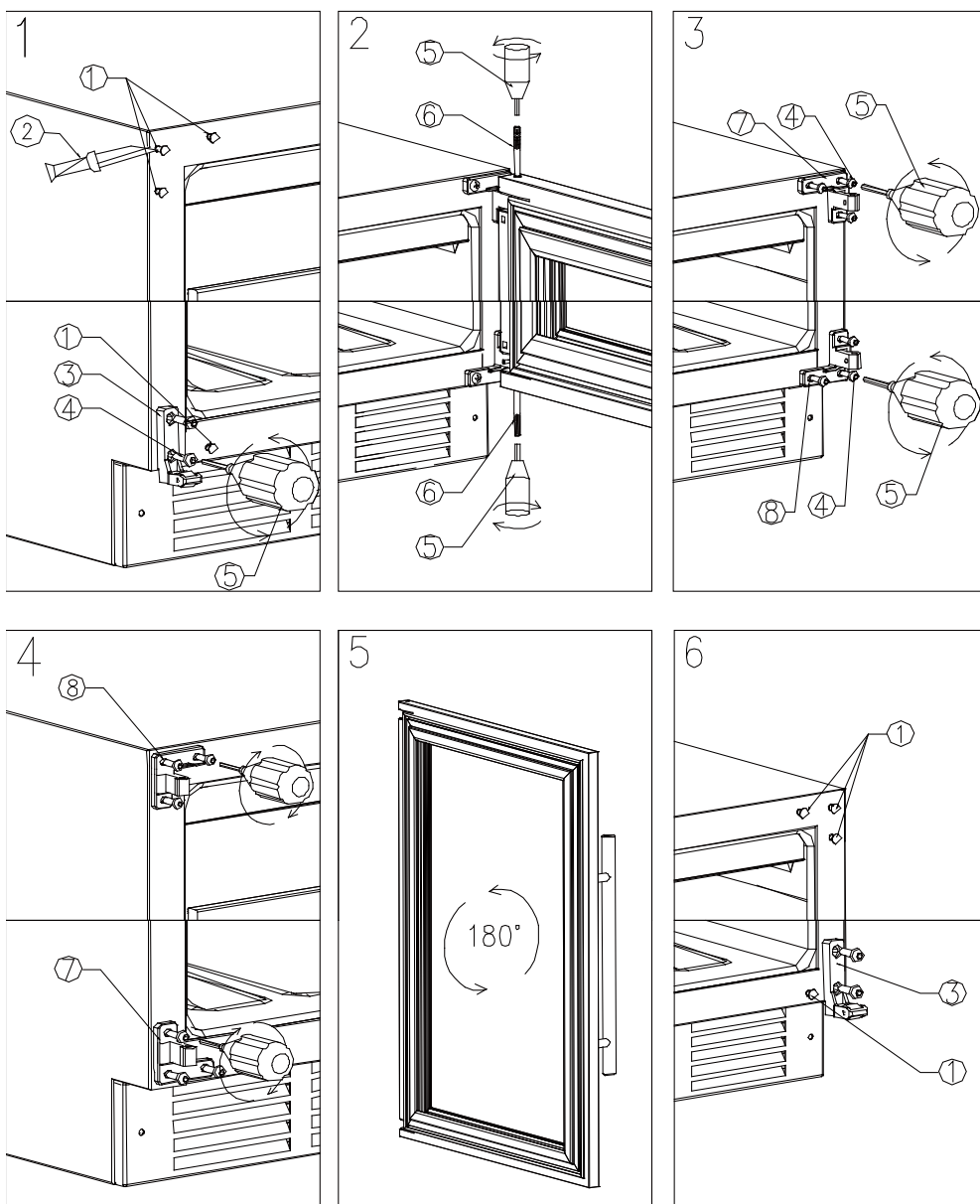
## INVERSION DE LA PORTE

REMARQUE : Le modèle WC2743SSBC est muni de porte françaises, les portes ne sont donc pas réversibles.

AVERTISSEMENT: Pour éviter tout accident lors de l'inversion de porte, nous vous recommandons de vous faire aider. La porte en verre est lourde et peut provoquer des blessures en cas de chute.

Selon le modèle et le type de poignée dont votre appareil est équipé, vous devrez peut-être faire pivoter la porte de 180 degrés.

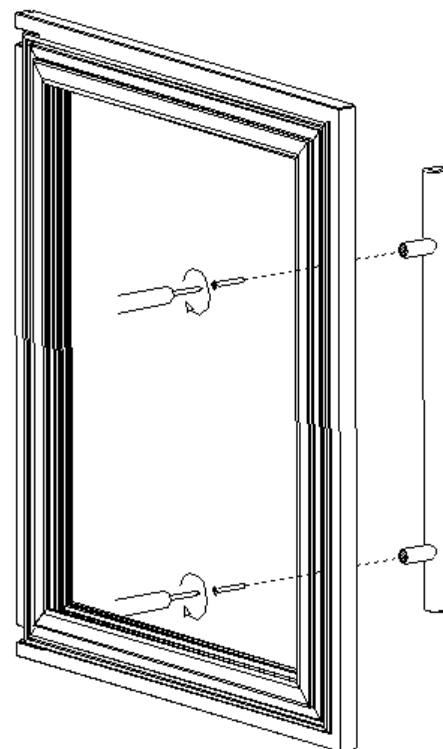
1. Pour permettre l'inversion de porte, la porte doit être ouverte au maximum.
2. Utiliser un petit outil (2) pour enlever le clou décoratif (1) sur le côté opposé (Dessin 1).
3. Utiliser le tournevis intérieur à six angles (outil 5) pour démonter les vis (4) du dispositif antichute (3), puis retirer le dispositif antichute (dessin 1).
4. Tenir la porte, utiliser un tournevis à six angles (outil 5) pour dévisser le noyau de la porte (6) des deux extrémités de la partie supérieure de la porte. Retirer la porte et la mettre de côté (Dessin 2).
5. Décharger les charnières de porte supérieure et inférieure (7)(8) à l'aide d'un tournevis à six angles intérieurs M5 (outil 5), puis assembler la charnière de porte sur le côté opposé (Dessin 3 et 4).
6. Tourner la porte de 180 degrés, puis installer la porte sur le côté droit de l'appareil (Dessin 5).
7. Enfin, installer le capuchon décoratif et le dispositif antichute sur le côté opposé (Dessin 6).



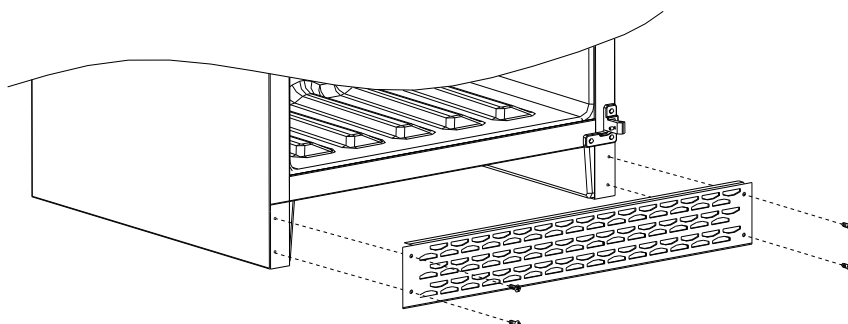
## INSTALLATION DE LA POIGNÉE

Retirer la poignée de l'armoire, puis retirer les 2 vis du sac d'accessoires.  
 (Remarque : les vis de certains modèles ont été placées sur la porte. Si la porte est en verre noir, deux colonnes isolantes blanches doivent être placées sur les trous de vis afin d'éviter que les vis métalliques ne fassent éclater le verre). Ouvrir le joint de la porte par le côté, puis insérer les vis dans les 2 trous de la poignée sur le côté de la porte, puis aligner les vis sur le trou de la poignée, serrer les vis à l'aide d'un tournevis Phillips, puis comprimer le joint de la porte.

Si les trous de vis de la poignée ne correspondent pas parfaitement aux trous de la porte, utilisez la perceuse électrique pour percer les trous de la porte un peu plus grands (du côté de la surface), afin d'installer la poignée parfaitement.



## MÉTHODE D'INSTALLATION DU COUP DE PIED



1. Retirer le coup de pied de l'appareil, puis retirer les 4 vis du sac d'accessoires.
2. Ouvrir la porte, aligner le coup de pied sur les quatre trous de vis sur la structure de l'appareil et serrer les vis à l'aide d'un tournevis Phillips.



# ANOMALIES DE FONCTIONNEMENT

S'assurer que la fiche d'alimentation électrique est alimentée en branchant un autre appareil électrique. Vérifier le fusible, le cas échéant. Assurez-vous que la porte est correctement fermée.

Si votre appareil semble mal fonctionner, débranchez-le et contactez votre service après-vente. Toute intervention sur le circuit de froid doit être effectuée par un technicien frigoriste qui doit procéder à une inspection du système d'étanchéité du circuit. De même, toute intervention sur le circuit électrique doit être effectuée par un électricien qualifié.

**Remarques :** Toute intervention effectuée par un technicien non agréé par Wine Cell'R entraînera la nullité de la garantie.

## PANNES DE COURANT

En cas de coupure de courant, tous les réglages de température précédents sont automatiquement conservés et l'appareil revient à un réglage de température prédéfini. (Voir le tableau de pré-réglage)

La plupart des pannes de courant sont corrigées en peu de temps. Une coupure de courant d'une heure ou deux n'affectera pas les températures de l'appareil. Pour éviter un changement soudain de température pendant la coupure de courant, évitez d'ouvrir la porte. En cas de panne de courant prolongée, prenez des mesures pour protéger votre vin.

**Quelle qu'en soit la cause, si vous constatez des températures ou des taux d'humidité anormaux dans votre appareil, sachez que seule une exposition longue et fréquente à ces conditions anormales peut avoir un effet préjudiciable sur vos vins et breuvages.**

## APPLICATION WI-FI



- 1- Recherchez TUYA smart App dans l'App Store ou Google Play App, téléchargez-la et installez-la.
- 2- Ouvrez l'application TUYA et accédez à la page d'inscription.
- 3- L'enregistrement peut se faire par courriel ou par numéro de téléphone, le pays (région) suivra les paramètres du système mobile, vous pouvez également changer manuellement le pays/la région (une fois l'enregistrement terminé, le pays/la région ne peut plus être changé). Après avoir saisi votre numéro de téléphone ou votre adresse électronique, cliquez sur "Obtenir le code de vérification". Après avoir saisi le code de vérification reçu, vous serez redirigé vers la page de définition du mot de passe. Après avoir défini le mot de passe conformément aux invites ci-dessous, cliquez sur "Terminer" pour achever l'enregistrement.
- 4-
  - a. Si vous avez déjà un compte TUYA smart App, cliquez sur "Se connecter avec un compte existant" sous "Créer un nouveau compte" pour accéder à la page de connexion.
  - b. Le système détermine automatiquement le pays/la région actuel(le) et vous pouvez également sélectionner manuellement un pays/une région.
  - c. Saisissez le numéro de téléphone ou l'adresse électronique que vous avez utilisés lors de l'enregistrement, saisissez le mot de passe et vous pourrez vous connecter au système.
  - d. Connexion au compte social d'un tiers.
  - e. Si votre téléphone a installé WeChat et QQ, cliquez sur l'icône WeChat ou QQ dans la zone de connexion du compte social. Après avoir passé la page d'autorisation, vous pouvez vous connecter au système. Si vous utilisez un système IOS, vous pouvez également utiliser votre identifiant Apple pour vous connecter.
  - f. Si vous avez un compte Line App, vous pouvez également autoriser la connexion à l'aide du compte Line.
- 5- Après avoir ouvert une session, cliquez sur et ajoutez un appareil.
- 6- L'interface suivante apparaît, cliquez sur Wi-Fi pour entrer dans les Paramètres Wi-Fi.
- 7- Cliquez sur le réseau Wi-Fi auquel vous souhaitez vous connecter, entrez le mot de passe, puis entrez dans la connexion. (Note: Ne pas choisir le réseau 5G).
- 8- Après avoir configuré le Wi-Fi, cliquez sur le "bouton de recherche" pour afficher l'identification du produit, puis cliquez dessus pour afficher l'interface d'état de fonctionnement du produit.
- 9- L'interface d'état de fonctionnement du produit a deux états : l'un est l'état d'affichage de fonctionnement actuel du produit. L'autre est le réglage des fonctions, qui permet de régler la température et l'humidité souhaitées. (Remarque : les zones de température supérieure et inférieure du diagramme peuvent également correspondre aux zones de température gauche et droite). Tous les produits ne disposent pas de la fonction de réglage de l'humidité. Cela dépend des différents produits.

## **GUIDE DE DÉPANNAGE**

Beaucoup de problèmes communs peuvent être résolus très facilement. Suivez les conseils de dépannage ci-dessous si vous rencontrez des problèmes :

No.	PROBLÈME	CAUSES & SOLUTIONS
1	Le cellier ne fonctionne pas	Vérifier s'il est branché.
		Le cellier n'est pas à ON.
		Le circuit est fermé ou un fusible est brûlé.
		Il devrait être le seul appareil branché dans la prise. Il est recommandé de prévoir un circuit de 15 amp dédié exclusivement au cellier.
2	Le cellier ne refroidit pas assez	Vérifier les paramètres de température sur le contrôle.
		L'environnement extérieur exige des paramètres de température plus froids sur le contrôle.
		La porte est souvent ouverte.
		La porte n'est pas complètement fermée.
3	La température de mon cellier varie souvent de 3-4 degrés. Est-ce normal?	Le joint d'étanchéité ne ferme pas bien.
		C'est normal : de légers écarts de température sont nécessaires au bon fonctionnement du cellier. Lorsque le cellier entame un cycle de dégivrage, la température augmente un peu. Lorsque le système de réfrigération se remet ensuite en marche, la température refroidit.
		Ces changements s'effectuent sur de courtes périodes et leurs influences sont trop minimes pour pouvoir affecter la conservation du vin. Le liquide tend à se maintenir à une température moyenne.
4	Mon cellier ne maintient pas sa température et le compresseur démarre souvent?	Est-ce que votre cellier est rempli au moins à 50% de sa capacité ? Votre cellier est-il en marche depuis plus de 48 heures?
		Le cellier est installé près d'une source de chaleur (calorifère, porte, fenêtre, poêle, etc).
		La porte n'est pas complètement fermée.
		Le joint d'étanchéité ne ferme pas bien.
5	Le cellier se ferme automatiquement ON/OFF fréquemment	La température de la pièce est plus chaude que normalement.
		Un gros contenu a été ajouté dans le cellier.
		La porte est trop souvent ouverte.
		La température n'est pas bien ajustée.



No.	PROBLÈME	CAUSES & SOLUTIONS
6	Mon cellier émet des bips en permanence	Vérifiez que la porte est correctement fermée, l'unité est équipée d'une alarme de porte ouverte qui se déclenche après 3 minutes et arrête le compresseur (refroidissement).
7	La lumière ne fonctionne pas	Le cellier est-il branché? Le circuit est fermé ou un fusible est brûlé. La lumière est fermée, utilisez le panneau de contrôle pour l'allumer (voir section Opérations).
8	Trop de vibration	Vérifier si l'appareil est à niveau. Assurez-vous qu'aucune pièce à l'intérieur du cellier (tablette/rail) ou à l'arrière près du compresseur n'est pas mal fixée (tuyaux qui frottent sur du métal, attache brisée, etc)
9	Le cellier semble faire trop de bruits	Le bruit peut parvenir du liquide réfrigérant ce qui est normal. À chacun des fins de cycle, vous pouvez entendre un gargouillement causé par le liquide réfrigérant. L'expansion et la contraction des murs intérieurs peuvent causer des bruits de craquements. L'appareil n'est pas à niveau. Les mesures d'encastrement n'ont pas été respecté laissant un trop grand espace entre le cellier et les armoires amplifiant le bruit du compresseur et du ventilateur à l'arrière. La hauteur des plafonds ainsi que la grandeur de la pièce (aire ouverte) peuvent aussi accentuer le bruit (effet d'écho).
10	La porte ne ferme pas bien.	Le cellier n'est pas à niveau. La porte a été inversée et mal installée. La porte est ouverte mais la serrure est barrée. Le joint d'étanchéité est sale. Les tablettes sont mal installées sur les rails ou des bouteilles trop grandes ou mal placées empêchent une tablette de fermer.
11	La porte de mon cellier n'est pas égale au caisson.	Ajustez les pieds vérins à l'avant du cellier jusqu'à ce que la porte soit égale au cellier. Les vis de la charnière ne sont pas assez serrées, remplacez la porte égale au caisson et serrer les vis.
12	J'ai une tablette qui n'est pas de niveau ?	Il faut s'assurer que la tablette est bien fixée sur ses rails. Il faut s'assurer que la tablette est bien fixée sur ses rails.
13	Il y a de l'eau sur le plancher du cellier	Vérifiez que le drain est bien dans le bac d'évaporation à l'arrière du cellier. Si oui, par période très humide, il faudra peut-être éponger le surplus d'eau dans le bac. Vérifiez que le cellier soit à niveau de l'avant à l'arrière et de gauche à droite.

No.	PROBLÈME	CAUSES & SOLUTIONS
14	Mon cellier accumule de l'eau à l'intérieur?	Ceci est un phénomène observé surtout en été dû à l'humidité. Vérifiez si le joint de la porte est étanche. Il est recommandé pendant les temps très humides d'éponger le surplus d'eau qui se forme à l'intérieur de votre cellier et si nécessaire dans le bac arrière près du compresseur.
15	Il y a formation de givre sur l'évaporateur au fond du cellier.	C'est un phénomène très normal lorsque les vapeurs d'eau gèlent. Cependant lorsque le cycle de refroidissement se termine la glace fond et coule par le drain, ces gouttes s'évaporent en temps normal.
16	Mon cellier a de la buée / de l'humidité entre les vitres thermiques.	Par période très humide, principalement en été, cette situation peut se produire.
17	L'écran numérique indique HH ou LL et un bruit continu (beep) se fait entendre.	La sonde de température est non fonctionnelle et doit être remplacée.

### Spécifications standard

Fonctionnement du compresseur: R600a
Disponible en tension/fréquence nominale: 120V/60Hz
Dégivrage automatique
Humidité : 65% RH +/-10% RH
Finition extérieure et intérieure noire
Lumière interne
Pieds réglables x 4
Porte Vitrée
Cadre de porte en acier inoxydable sans joints

### Avant la mise au rebut de l'appareil.

1. Débrancher la fiche principale de la prise de courant.
2. Couper le câble principal et le mettre au rebut.



Ce symbole sur le produit ou sur son emballage indique que ce produit ne peut pas être traité comme un déchet ménager. Il doit être remis au point de collecte des déchets approprié pour le recyclage des équipements électriques et électroniques. En veillant à ce que ce produit soit éliminé correctement, vous contribuerez à prévenir les conséquences négatives potentielles pour l'environnement et la santé humaine, qui pourraient autrement être causées par le traitement inapproprié de ce produit. Pour obtenir des informations plus détaillées sur le recyclage de ce produit, veuillez contacter l'administration de votre ville, votre service d'élimination des déchets ménagers ou le magasin où vous avez acheté le produit.