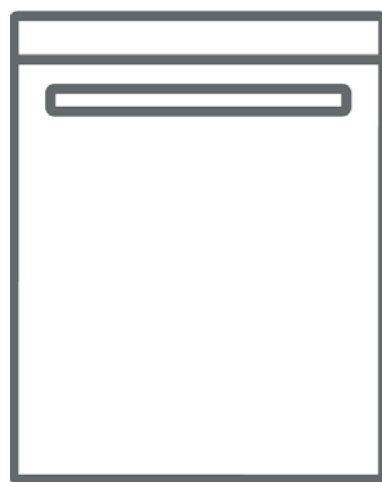




EN Installation Instructions

FR Lave-vaisselle / Manuel d'installation



STU1822


CONTENTS


- IMPORTANT SAFETY INSTRUCTIONS.....3
- INSTALLATION MATERIALS.....5
- DISHWASHER SPECIFICATION.....7
- ENCLOSURE PREPARATION.....8
- ADJUSTING THE MOVABLE TOE KICK (SELECT MODELS).....14
- INSTALLING THE OUTER DOOR (SELECT MODELS).....15
- INSTALLER CHECKLIST.....19
- FINAL INSTRUCTIONS.....19
- HELPFUL HINTS.....19


Thank you for choosing this product.

These installation instructions contain important information on safety and instructions intended to assist you in the operation and maintenance of your appliance.

INTRODUCTION


 **WARNING:** Indicates a potentially hazardous situation which, if not avoided, could result in death or serious injury.

 **CAUTION:** Indicates a potentially hazardous situation that, if not avoided, may result in injury. It may also be used to alert against unsafe practices.

 **NOTICE:** Indicates a potentially hazardous situation that, if not avoided, may result in damage to the dishwasher, the tableware, the equipment, or the environment.

- Please read this user manual and, particularly, the safety instructions completely and carefully. They will save you time and effort and help to ensure optimum dishwasher performance.

1 IMPORTANT SAFETY INSTRUCTIONS

 **WARNING:** When using the dishwasher, follow basic precautions. Read all instructions before using the dishwasher! Save these operating instructions and pass them on to any future user.

When installing the dishwasher, follow basic safety precautions, including the following:


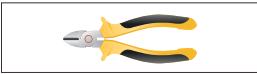













- The dishwasher could only be converted from cord-connected to permanently connected by an authorized service representative. (If needed, contact your dealer to schedule an authorized service agent for conversion with an appropriate conversion kit.)
- A qualified installer should perform installation and repair. Work by unqualified persons could be dangerous and may void the warranty.
- The dishwasher should be installed by an insured licensed plumber, contractor, or trained installer. Installation performed by persons other than this could result in improper installation and property damage.
- Do not operate the appliance if damaged, malfunctioning, partially disassembled or if it has missing or broken parts.
- Follow the safety instructions of the user manual.
- To reduce the risk of electric shock, fire, or injury to persons, the installer must ensure that the dishwasher is completely enclosed at the time of installation.
- Only connect the dishwasher to the power supply when all installation and plumbing work is complete
- If the dishwasher is installed in a location that experiences freezing temperatures (e.g., in a vacation home, cabin, etc.), you must drain all the water from the dishwasher's interior. Water system ruptures that occur as a result of freezing are not covered by the warranty
- Dishwasher must be secured to adjacent cabinetry using the brackets provided. Failure to do this may cause damage to property or bodily injury
- Connect to a properly rated, protected, and sized power supply circuit to avoid electrical overload. The dishwasher is designed for an electrical supply of 120V (volts), 60Hz (hertz), AC, connected to a dishwasher dedicated, properly grounded electrical circuit with a fuse or breakers rated for 15 amperes.

Electrical supply conductors shall be a minimum of #16 AWG copper wire rated at 167 °F (75 °C) or higher. These requirements must be met to prevent injury and machine damage. Consult a qualified electrician if in doubt.



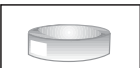


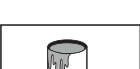
- This dishwasher includes a heating element. Do not touch the heating element during or immediately after use
- Do not use any extension cord or portable outlet device to connect the dishwasher to a power supply.
- Ensure that any plastic wrappings, bags, small pieces, etc. are disposed of safely and kept out of the reach of children. There is a danger of suffocation!
- Remove the door to the washing compartment when removing an old dishwasher from service or discarding it. Ensure that the appliance presents no danger to children while being stored for disposal.
- Old appliances may contain materials that can be recycled. Please contact your local recycling authority about the possibility of recycling these materials.
- The dishwasher drain hose must be installed with a drain loop at least 28" (710mm) off the cabinet floor, otherwise, the dishwasher may not drain properly.
- This dishwasher is intended for residential use only and should not be used in commercial establishments.
- **New installation:** If the dishwasher is a new installation, most of the work must be done before the dishwasher is moved into place.
- **Replacement:** If the dishwasher is replacing another dishwasher, check the existing dishwasher connections for compatibility with the new dishwasher, and replace parts, as necessary.

2 INSTALLATION MATERIALS

Tools Needed

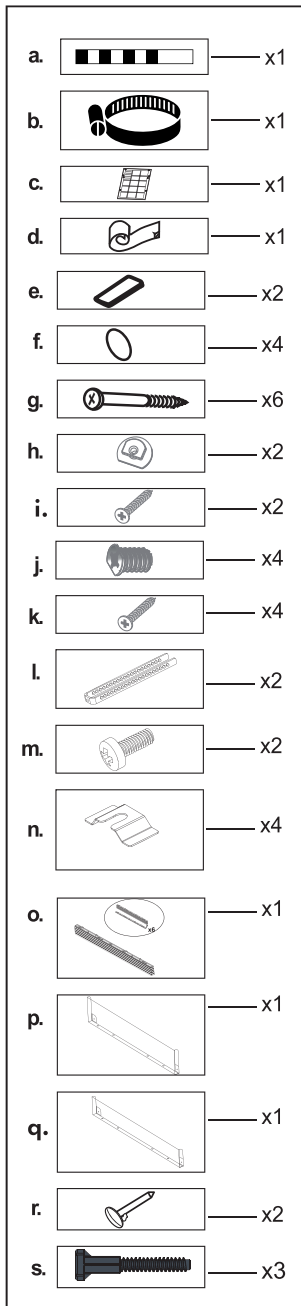
		
Pipe Wrench	Wire Cutter	Drill
		
Hole Saw	Hammer	Wire Stripper
		
Tape Measure	Torx Screwdriver (T20)	Phillips Screwdriver
		
Adjustable Wrench	Slot Screwdriver	Scissors
		
Level	Brush	Pencil

Materials Needed

	Hot Water Supply Line - Minimum 3/4" O.D. copper tubing or metal braided dishwasher supply line.
	UL listed conduit connector or strain relief.
	Teflon tape or other pipe thread compound to seal plumbing connections.
	Shut-off valve and fittings appropriate for hot water supply line (copper tubing/ compression fitting, or braided hose).
	Silicone
	Glue

Materials Supplied

The parts required for positioning the dishwasher are in plastic bags. Check that all the following parts are included with your unit:



Manual Bag

The dishwasher comes with a manual bag containing the User Manual and the Installation Instructions.

Dishwasher Parts Bag 1

This dishwasher bag comes with the following parts:

- a) Test strip (Select Models)
- b) Hose clamp

Dishwasher Parts Bag 2

- c) Mounting plan (Select Models)
- d) Steam protection foil
- e) Wooden door fixing strips (Select Models)
- f) Hole covers (Select Models)

Dishwasher Parts Bag 3

- g) Screws 5/32" x 53/32" (4mm x 42mm) (Select Models)
- h) Door mounting plastics (Select Models)
- i) Screws Ø5/32 x 7/8" (4mm x 22mm) (Select Models)
- j) Cabinetry mounting plastics
- k) Screws for cabinetry mounting plastics Ø 5/32" x 1 1/8" (4mm x 28mm)

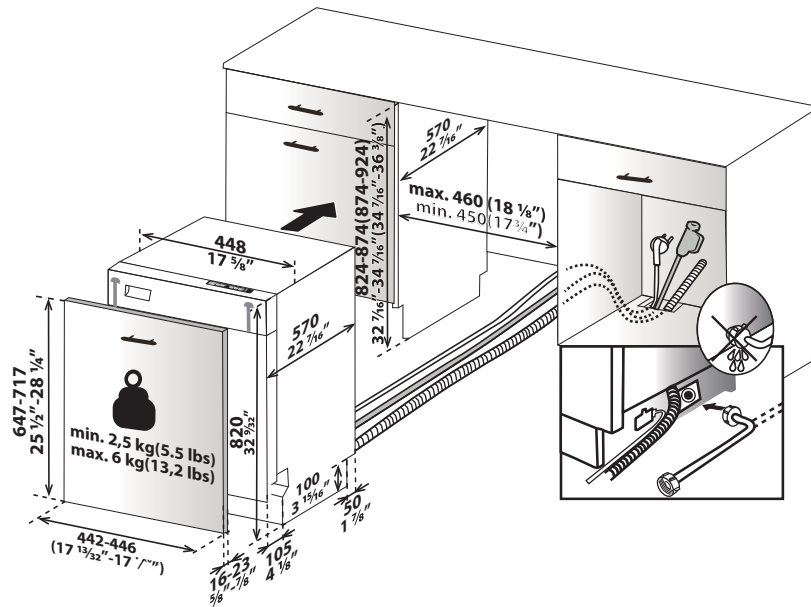
Dishwasher Parts Bag 4

- (Select Models)
- l) Toe kick bracket
- m) Screws 5/32" x 7/32" (4mm x 6mm)
- n) Plinth fixing metal
- o) Adjustable plinth
- p) Adjustable plinth metal (130mm) (Select Models)
- q) Adjustable plinth metal (80mm) (Select Models)
- r) Plinth locking

Dishwasher Parts Bag 5

- (Select Models)
- s) Long legs

3 DISHWASHER SPECIFICATION



NOTICE: As shown in figure, you must measure the height and depth of the cabinetry to determine the dimensions of the outer door.


Technical Features

Load Capacity	10 place settings
Permissible Water Pressure	4.35 – 145 PSI (0.3 – 10 bars)
Electrical Connection	120V, 12A, 60Hz
Total Power	1400W
Heater Power	1100W

NOTICE: We continue to strive to improve our products. We may change our specifications or design without prior notice.


4 ENCLOSURE PREPARATION

Electrical Preparation

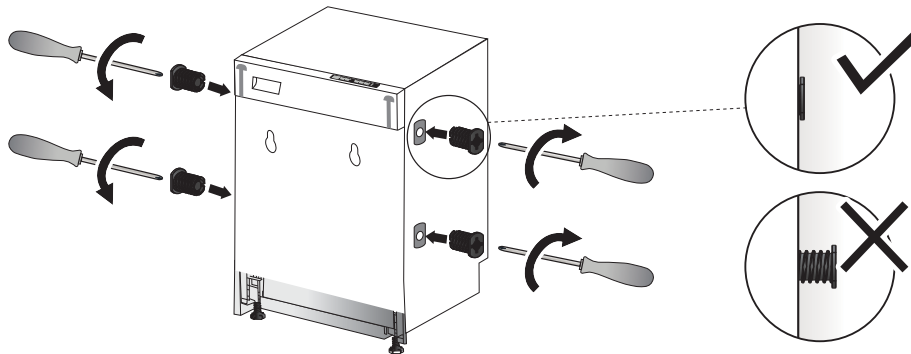
 **CAUTION:** This dishwasher is designed for an electrical supply of 120V, 60Hz AC, connected to a dishwasher-dedicated, properly grounded electrical circuit with a fuse or breaker rated for 15 Amps. Unit ships with a NEMA 5-15P connector.


The power supply receptacle for the appliance shall be installed in a cabinet or on a wall adjacent to the under-counter space in which the appliance is to be installed.

Preparation for Installing Mounting Plastics

 **CAUTION:** Cabinetry mounting plastics and screws in the plastic bag should be used when the dishwasher is installed in the cabinetry. Use of any part other than the mounting parts may result in damage to property or bodily injury.

Cabinetry mounting plastics should be assembled with a screwdriver in the marked areas as shown.



 **CAUTION:** Cabinetry mounting plastics should not remain outside. It should completely fit inside the side panel. Otherwise, the dishwasher cannot enter the cabinetry.


 **NOTICE:** It is recommended not to use a drill.

Adjusting Height

First Step: Before the dishwasher is placed in the cabinetry, the front feet are closed until the end and the dishwasher is placed in the cabinetry.

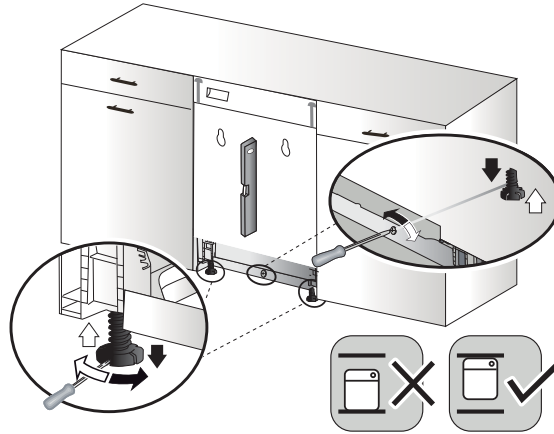
Second Step: Adjust the forefoot level with a slot screwdriver to stabilize the dishwasher and raise it to the enclosure height.

Third Step: Adjust the rear foot level with a philips screwdriver to balance and raise the dishwasher to the enclosure height.

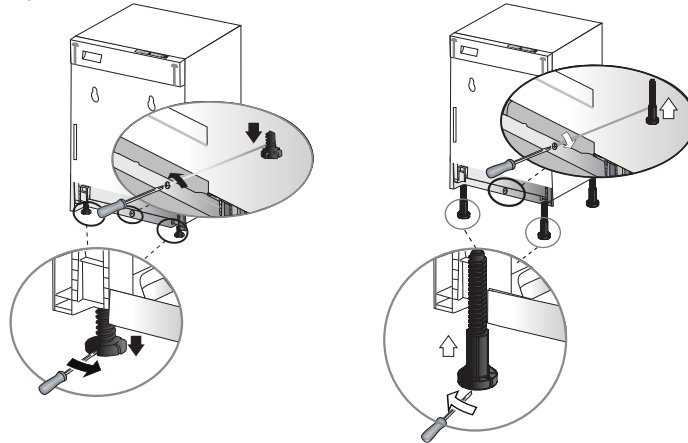
 **NOTICE:** Make sure the dishwasher is plumb with the top of the enclosure. It does not need a large clearance underneath the countertop.

For front feet; turning the feet in the direction of the white arrows with the slot screwdriver allows the dishwasher to move downwards.

For rear feet; Turning the philips screwdriver in the direction of the white arrows will take the dishwasher feet down.



If the height of the enclosure is 32 9/32" to 34 1/4" (824mm-874mm) use short supports as shown in the figure.



If the height of the enclosure is above 34 1/4" (874mm) use long supports as shown in the figure.


Water Supply Connection

Water supply may be connected to the dishwasher in one of two ways:

- With metal braided hose.
- With copper tubing

BRAIDED HOSE/COPPER TUBING

After connections are made turn on the water supply to check for leaks.

 **CAUTION:** Hot water supply line: Use a minimum 3/4" O.D. copper tubing or metal braided dishwasher supply line.

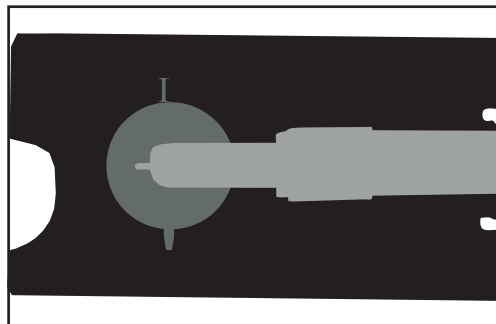
Water Inlet valve of the dishwasher has a 3/4"-11.5NH inlet coupling thread dimension according to ASME B1.20.7-1991.

When you buy a water inlet hose for your dishwasher, please choose the thread dimension of the inlet hose as compatible with indicated water inlet valve inlet coupling thread dimension (3/4"-11.5NH) of your dishwasher.

Temperatures required for soldering and sweating will damage the dishwasher's water inlet valve so if any such operation is needed, keep the heat source min. 77/8" (200mm) away from the dishwasher's water inlet valve.

There should not be any sharp bends in the water line that may restrict the water flow.

Teflon tape or pipe tread compound must be used for sealing the connection. Before connecting the copper water supply line to the dishwasher, flush it with hot water to clear any foreign material.

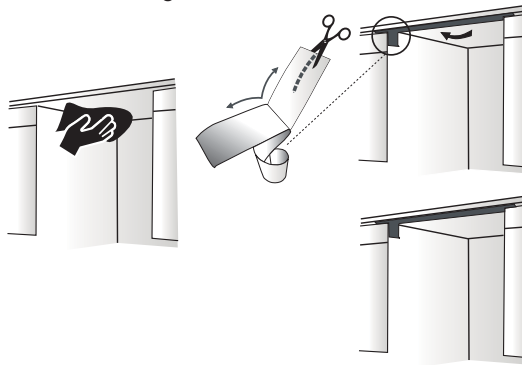


Steam Protection Foil

Steam will be output when the dishwasher door is opened during the operation of the dishwasher and after completion of the working cycle. In order to prevent the resulting steam from collecting and damaging at the underside of the counter top, use a steam protection foil included in the plastic bag.

First Step: Clean the surface with a damp cloth before applying steam protection to the underside of the counter top.

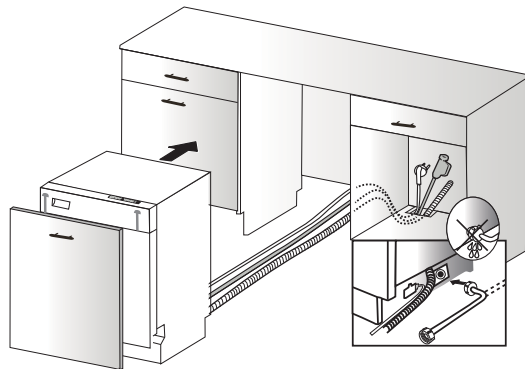
Second Step: Fix as shown in the figure.



! CAUTION: Steam protection foil must be applied where the steam escapes when door is first opened. Failure to install the steam protection foil during installation can lead to damage to the cabinets and countertop.

Placing the Dishwasher into the Opening

Gently place the dishwasher into the opening and get ready to connect all hoses and electrical connections.

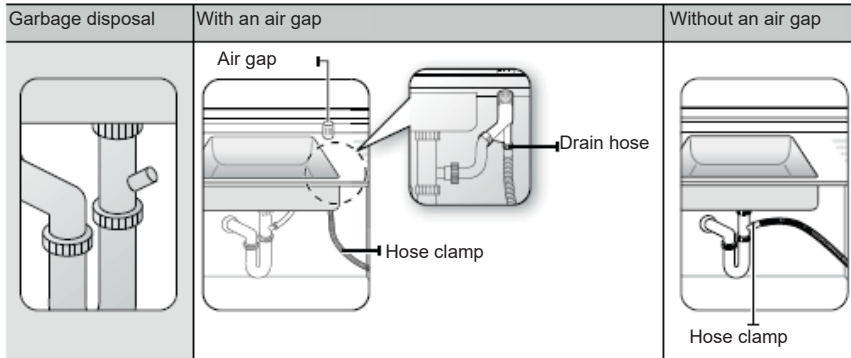


! CAUTION: Make sure all hoses are pulled through the side opening of the cabinet. No hoses should be kinked and ensure all slack is taken out, as shown above.

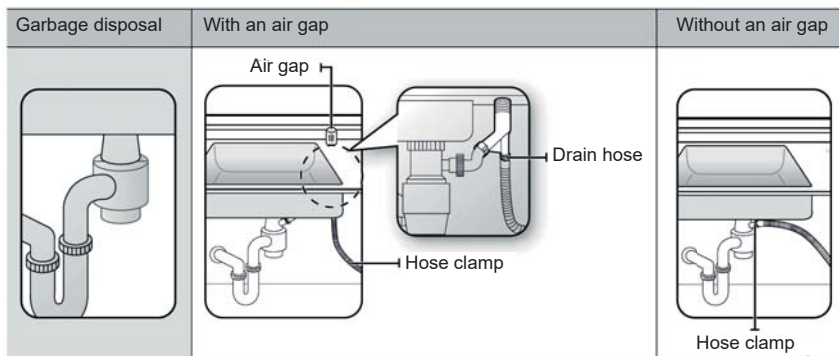
Drain Hose Connection

1. Check the parts on the sink to which the drain hose will be connected.
2. There are several ways to insert the drain hose into the drain hose connector of the sink, as shown in the following figures. You must connect the drain hose in accordance with the water pipe installation regulations in your region.

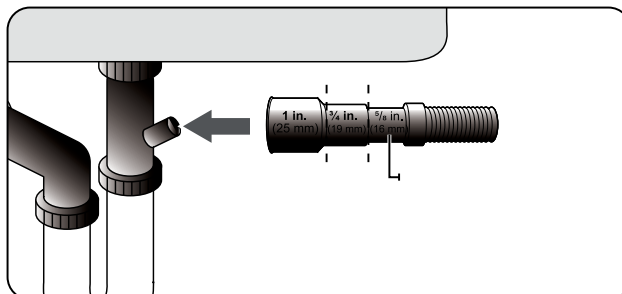
Without disposal:



With disposal:



3. Check the size of the sink's drain hose connector. If needed, cut the drain hose so its end fits onto the sink connector (5/8 in., 3/4 in. or 1 in. - as shown in C below). If the end of the drain hose does not fit onto the drain hose connector of the sink, use an adaptor purchasable at a plumbing/hardware supply store.



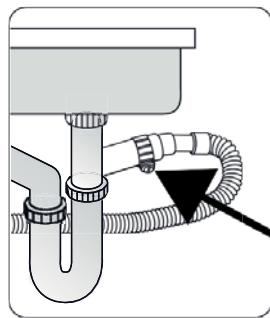
If necessary, cut off the dotted line of the drain hose to fit the size.

- Slide a hose clamp over the end of the drain hose. Attach the drain hose to the sink connector, slide the hose clamp to the end of the hose, and then tighten the hose clamp.

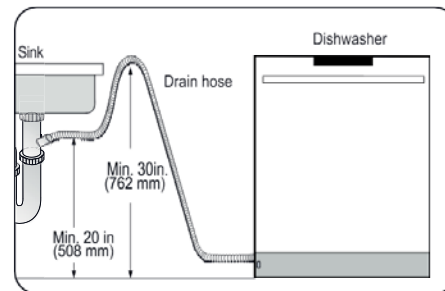


NOTICE: You must use a hose clamp. Failure to do so may cause water leakage.

- If there is no air gap, make sure to hang the middle of the drain hose well above the sink cabinet base to prevent back flow (see Figure E below).



D



E

- When drilling a hole for the drain hose on the cabinet wall, take caution not to damage the drain hose by sharp edges of the hole. On wooden walls, use sanding to soften the edges. On metal walls, use insulation tape or duct tape to cover the sharp edges around the hole.
- Take caution not to damage the drain hose when installing the dishwasher on the floor, wall, or cabinet. To prevent leaks or drainage problems, make sure the drain hose is not damaged, kinked, or twisted.
- Do not cut the wrinkled area of the drain hose to fit the size. When arranging the drain hose, take caution not to contact on sharp edges of the cabinet or under-sink.



CAUTION: Be careful when cutting off the end of the drain hose as there is a risk of injury. Clean around the sink's drain connection so that it does not damage the hose. Check for any foreign items in the drain hose and remove them.



CAUTION: When arranging the drain hose, make sure the drain hose is not cut, torn, or broken by any sharp edges.

5 ADJUSTING THE MOVABLE TOE KICK (SELECT MODELS)

Now that you have successfully installed the dishwasher, you need to attach the toe kick to the dishwasher. The two-piece toe kick can be adjusted to the height and depth needed for your kitchen.

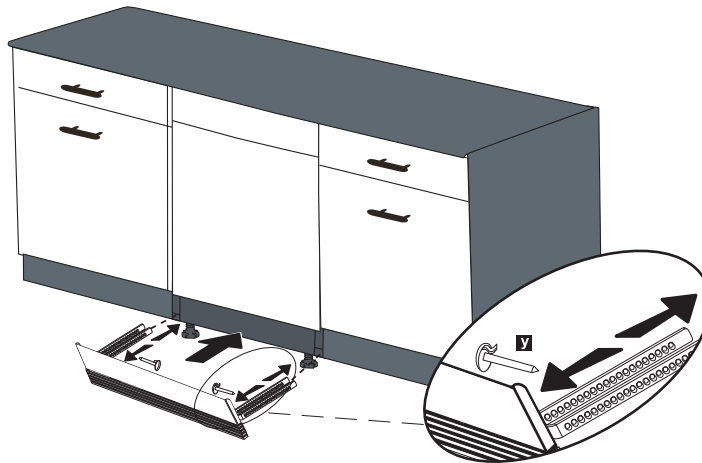
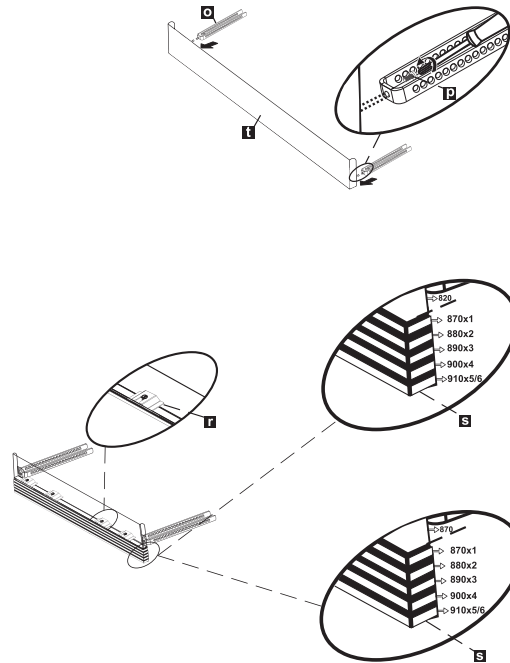
1. If the height is 32 9/32" to 34 1/4" and uses short supports, the adjustable plinth metal with 80mm length and toe kick brackets should be installed. Mounting is done using the 5/32" x 7/32" screws and a Phillips head screwdriver.

If the height is above 34 1/4" and uses short supports, the adjustable plinth metal with 130mm length and toe kick brackets should be installed. Mounting is done using the 5/32" x 7/32" screws and a Phillips head screwdriver.

2. The adjustable plinth's height is determined according to the required distance and assembled to each other.

3. As shown, the cylindrical feet of the adjustable plinth are attached to the plinth fixing metal parts and shifted through the cavity of the part.

4. Depending on the desired depth, the plinth locking (y) is attached to the gaps under the machine and the installation is completed.

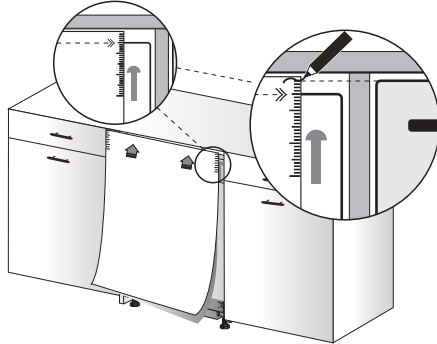


6 INSTALLING THE OUTER DOOR (SELECT MODELS)

1. The mounting plan in the plastic bag is placed to the outside of the dishwasher door. The arrow mark and the top level of the dishwasher door must be at the same level. The top of the cabinet next to it is determined and marked on the mounting plan at the same level.

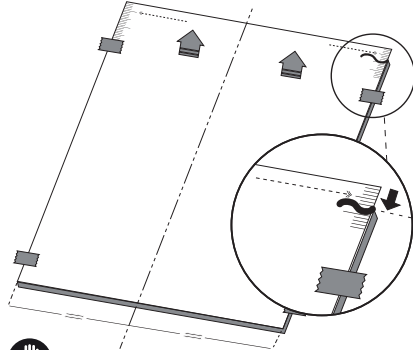
NOTICE: If it is not aligned, the outer door alignment will be different.

Figure A



2. The mounting plan is fixed to the inside of the Dishwasher door. The marked line should be level with the top of the wooden door.

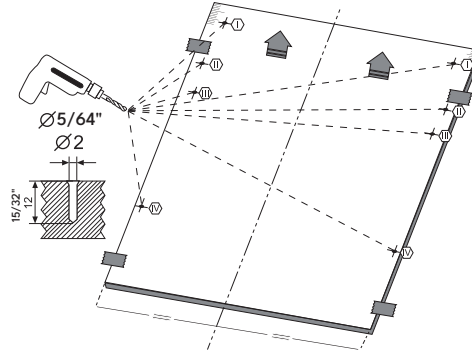
Figure B



NOTICE: While fixing the mounting plan, ensure that the plan adheres to the inside of the door. When the process is complete, the mounted plan must remain straight on the outer door.

3. As shown in Figure C, the screw hole is opened to the outer door from the points marked on the mounted plan. Diameter of Drilling Bit: 5/64" (2 mm) Depth of Drilling Bit: 15/32" (12 mm)

Figure C

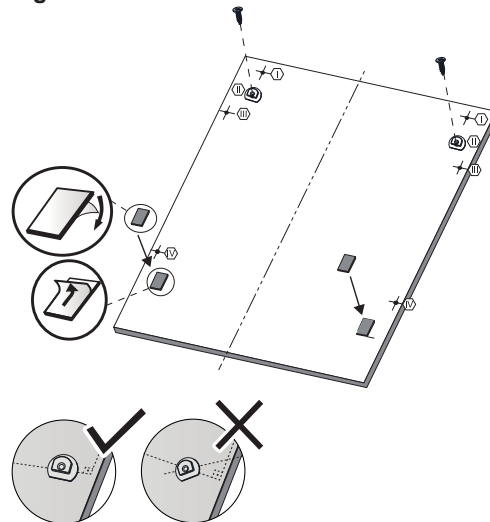


4. As shown in Figure D, door mounting plastics are installed in positions II and Wooden Door Fixing Strips are installed in positions shown in the figure.

NOTICE: Before attaching Wooden Door Fixing Strips, white papers on both sides are taken from the surface.

NOTICE: Door mounting plastics must be installed in the position shown in the figure.

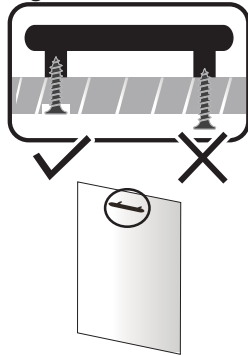
Figure D



5. Before mounting the wooden door on the dishwasher, mount the handle on the wooden door as in figure E.

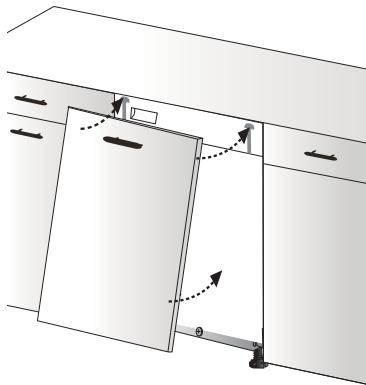
CAUTION: The screw head must remain inside the wooden door. Otherwise, it may cause permanent damage to the door.

Figure E



6. Door mounting plastics located on the wooden door are fitted with the dishwasher corresponding to the discharges located on the control panel and are assembled as shown in Figure F.

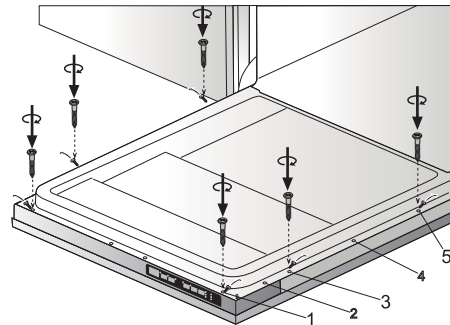
Figure F



7. As shown in Figure G, Screws $\text{Ø } 5/32'' \times 53/32''$ ($\text{Ø } 4\text{mm} \times 42,5\text{mm}$) is installed in positions I, III and V.

NOTICE: Before mounting the Screws $\text{Ø } 5/32'' \times 53/32''$ ($\text{Ø } 4\text{mm} \times 42,5\text{mm}$); Screws in positions I, III and V must be removed.

Figure G



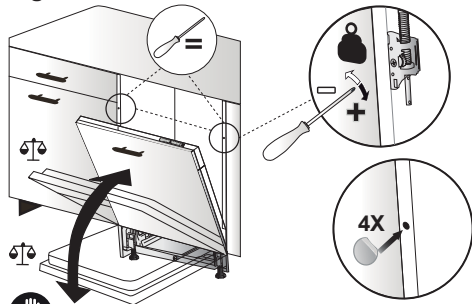
8. According to the weight of the assembled wooden door, the balancing must be provided by the mechanism shown in Figure H. The right and left mechanisms should be rotated equally.

- If the wooden door is falling down, the mechanism must be turned in the direction of the black arrow with a philips screwdriver.
- If the wooden door is lifted upwards, the mechanism must be turned in the direction of the white arrow with a philips screwdriver.

NOTICE: Minimum Philips Screwdriver Diameter is $15/64''$ (6 mm) for this application.

CAUTION: Maximum weight of custom panel must not exceed 6 kg.

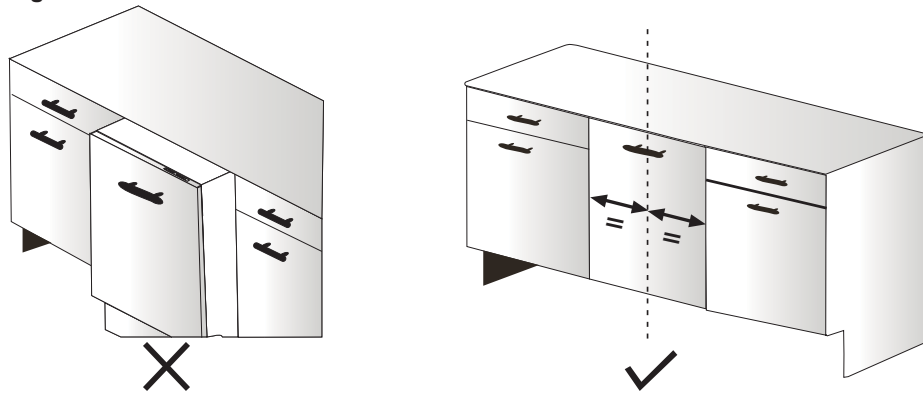
Figure H



NOTICE: It is recommended not to use a drill.

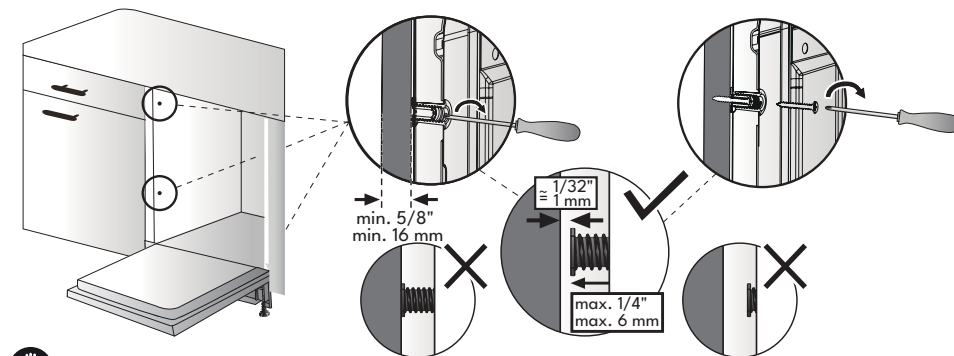
9. The dishwasher must be placed centered and correctly as shown in the Figure J.

Figure J



10. Cabinetry mounting plastics previously placed to the dishwasher are also fixed in the cabinetry with Screws $\text{Ø } 5/32'' \times 1 \text{ } 1/8''$ ($\text{Ø } 4\text{mm} \times 28\text{mm}$). Before screwing, use a philips screwdriver to adjust the gap between the dishwasher and the cabinetry to be about 1mm with cabinetry door plastics.

Figure I



NOTICE: It is recommended not to use a drill.

11. Check whether the bottom of the door hits the toe kick of the kitchen cabinet.
- If the door hits the toe kick cut the necessary section out of the toe kick.
 - Apply silicon or sealant to the cut edge of the kitchen cabinet toe kick or paint so it does not absorb moisture.

