

Dishwasher

User manual

DW90F89*****



bit.ly/samsungdishwashers

Scan the QR code* or visit
www.samsung.com/span
to view our helpful
How-to Videos and Live Shows

* Requires reader to be installed on your smartphone.

SAMSUNG

Contents

Safety information	4
What you need to know about the safety instructions	4
Important safety symbols	4
California Proposition 65 Warning	5
Important safety instructions	5
Before using your dishwasher	7
Regulatory notice	8
Product overview	10
Dishwasher at a glance	10
Before you start	12
Unpacking your dishwasher	12
Unsuitable items for the dishwasher	12
Basic use of racks	13
Detergent compartment	25
Rinse aid compartment	27
SmartThings	28
Open Source announcement	31
Using Bixby Voice Recognition	32
Operations	33
Control panel	33
Cycle overview	35
Operating a cycle	36
Settings	37
Special features	40
Maintenance	42
Cleaning	42
Long-term care	48
Troubleshooting	49
Checkpoints	49
Information codes	51

Appendix	53
Cycle chart	53
Helping the environment	55
Specifications	55
Warranty	56
Warranty (U.S.A)	56
Warranty (CANADA)	59

Safety information

Congratulations on your new Samsung dishwasher. This manual contains important information on the installation, use, and care of your appliance. Please take time to read this manual to take full advantage of your dishwasher's many benefits and features.

What you need to know about the safety instructions

Warnings and Important Safety Instructions in this manual do not cover all possible conditions and situations that may occur. It is your responsibility to use common sense, caution, and care when installing, maintaining, and operating your dishwasher.

Important safety symbols

What the icons and signs in this user manual mean:

 **WARNING**

Hazards or unsafe practices that may result in **severe personal injury or death**.

 **CAUTION**

Hazards or unsafe practices that may result in **minor personal injury or property damage**.

 **NOTE**

Indicates that a risk of personal injury or material damage exists.

These warning signs are here to prevent injury to you and others.

Please follow them explicitly.

After reading this section, keep it in a safe place for future reference.

SAVE THESE INSTRUCTIONS

California Proposition 65 Warning

WARNING

Cancer and Reproductive Harm - www.P65Warnings.ca.gov

Important safety instructions

WARNING

When using your dishwasher, follow basic precautions, including the following:

1. Read all instructions before using the dishwasher.
2. Use the dishwasher only for its intended function.
3. Use only detergents or wetting agents recommended for use in a dishwasher and keep them out of the reach of children.
4. When loading items to be washed:
 - locate sharp items so that they are not likely to damage the door seal, and
 - load sharp knives with the handles up to reduce the risk of cut-type injuries.
5. Do not wash plastic items unless they are marked "dishwasher safe" or the equivalent. For plastic items not so marked, check the manufacturer's recommendations.
6. Do not touch the HEATING ELEMENT during or immediately after use.
7. Do not operate your dishwasher unless all ENCLOSURE panels are properly in place.
8. Do not tamper with the controls.
9. Do not abuse, sit on, or stand on the door or dish rack of the dishwasher.
10. To reduce the risk of injury, do not allow children to play in or on the dishwasher.
11. Under certain conditions, hydrogen gas may be produced in a hot-water system that has not been used for two weeks or more. HYDROGEN GAS IS EXPLOSIVE. If the hot-water system has not been used for such a period, before using the dishwasher turn on all hot-water faucets and let the water flow from each for several minutes. This will release any accumulated hydrogen gas. As the gas is flammable, do not smoke or use an open flame during this time.
12. Remove the door to the washing compartment when removing an old dishwasher from service or discarding it.

CAUTION

- After unpacking the dishwasher, keep the packaging out of the reach of children.
- The dishwasher is extremely heavy. Do not attempt to move or carry the dishwasher by yourself. Two or more people are needed to move a dishwasher and avoid potential injuries.
- As with any equipment using electricity, water, and moving parts, potential hazards exist.
- Do not install the dishwasher near electrical components. Keep the dishwasher away from open flames.

SAVE THESE INSTRUCTIONS

Safety information

- Install and level your dishwasher on an a solid, level surface with no carpets floor that can support its weight.
- Your dishwasher must be properly grounded. Never connect it to an ungrounded outlet. See page 7 for more information on grounding your dishwasher.
- Connect the ground wire to the green ground connector in the terminal box.
- After the dishwasher is installed, check that the drain hose is properly connected and that there is no leakage from the hose connectors. If the drain hose is loose, it may cause property damage.
- The water supply line is susceptible to breakage. As time goes by, it becomes less flexible. Check the line periodically. If it is swollen, torn, cut, or there is a water leak, replace it immediately.
- To safely operate this appliance, familiarize yourself with its operations and exercise care when using it.
- Do not put gasoline, solvents, or other flammable materials inside the dishwasher. Do not wash dishes exposed to these materials.
- Keep your dishwasher detergent out of the reach of children. Detergent has an adverse effect on human organs. It contains elements for polishing and is corrosive. Avoid letting the detergent come into contact with your skin and eyes.
- Do not push or place pressure on the door when it is open, as this may damage the dishwasher or cause harm.
- Do not allow children to play in or on the dishwasher. They may harm themselves or damage the dishwasher.
- Disconnect the power cord (or set the circuit breaker to off) before servicing your dishwasher.
- Do not repair, replace, or service any part of your dishwasher yourself. Disassembly, repairs, and modifications are permitted by authorized service technicians only. Work done by an unauthorized person may void your warranty.
- Before disposing of your dishwasher, remove the door of the washing compartment or the door latch so that children or small animals cannot get trapped inside.
- If the dishwasher is left unused for an extended period of time, turn off the water supply.
- This dishwasher is intended for residential use only.
- Always be caution when using remote control. You may be exposed to security risks during use, and usage-related problems may also arise due to Internet connectivity issues or incorrect settings.
- Please do not operate the product with living beings (such as a person or an animal) or items that may cause water leakage or explosion.

SAVE THESE INSTRUCTIONS

Before using your dishwasher

 **WARNING**



Tip-Over Hazard

- Do not use the dishwasher until it is correctly installed.
- Do not push down on the dishwasher door when it is open.
- Do not place excessive weight on the dishwasher door when it is open.



Electric Shock Hazard

Failure to follow these instructions can result in death, fire, or electric shock:

- Electrically ground the dishwasher.
- Connect the ground wire to the green ground connector in the junction box.
- Do not use an extension cord.

SAVE THESE INSTRUCTIONS

Safety information

Regulatory notice

FCC Notice

FCC CAUTION:

Any changes or modifications not expressly approved by the party responsible for compliance could void the user's authority to operate the equipment.

This device complies with Part 15 of FCC Rules. Operation is Subject to following two conditions:

1. This device may not cause harmful interference, and
2. This device must accept any interference received including interference that cause undesired operation.

For products sold in the US and Canadian markets, only channels 1–11 are available. You cannot select any other channels.

FCC STATEMENT:

This equipment has been tested and found to comply within the limits for a Class B digital device, pursuant to part 15 of the FCC Rules. These limits are designed to provide reasonable protection against harmful interference in a residential installation.

This equipment generates, uses, and can radiate radio frequency energy and, if not installed and used in accordance with the instructions, may cause harmful interference to radio communications. However, there is no guarantee that interference will not occur in a particular installation. If this equipment does cause harmful interference to radio or television reception, which can be determined by turning the equipment off and on, the user is encouraged to try to correct the interference by one or more of the following measures:

- Reorienting or relocating the receiving antenna
- Increasing the separation between the equipment and receiver
- Connecting the equipment to an outlet that is on a different circuit than the radio or TV.
- Consulting the dealer or an experienced radio/TV technician for help.

SAVE THESE INSTRUCTIONS



FCC RADIATION EXPOSURE STATEMENT:

This equipment complies with FCC radiation exposure limits set forth for an uncontrolled environment. This equipment should be installed and operated so there is at least 8 inches (20 cm) between the radiator and your body. This device and its antenna(s) must not be co-located or operated in conjunction with any other antenna or transmitter.

IC Notice

The term “IC” before the radio certification number only signifies that Industry Canada technical specifications were met. Operation is subject to the following two conditions: (1) this device may not cause interference, and (2) this device must accept any interference, including interference that may cause undesired operation of the device.

This Class B digital apparatus complies with Canadian ICES-003.

Cet appareil numérique de la classe B est conforme à la norme NMB-003 du Canada.

For products sold in the US and Canadian markets, only channels 1–11 are available. You cannot select any other channels.

IC RADIATION EXPOSURE STATEMENT:

This equipment complies with IC RSS-102 radiation exposure limits set forth for an uncontrolled environment. This equipment should be installed and operated so there is at least 8 inches (20 cm) between the radiator and your body. This device and its antenna(s) must not be co-located or operated in conjunction with any other antenna or transmitter.

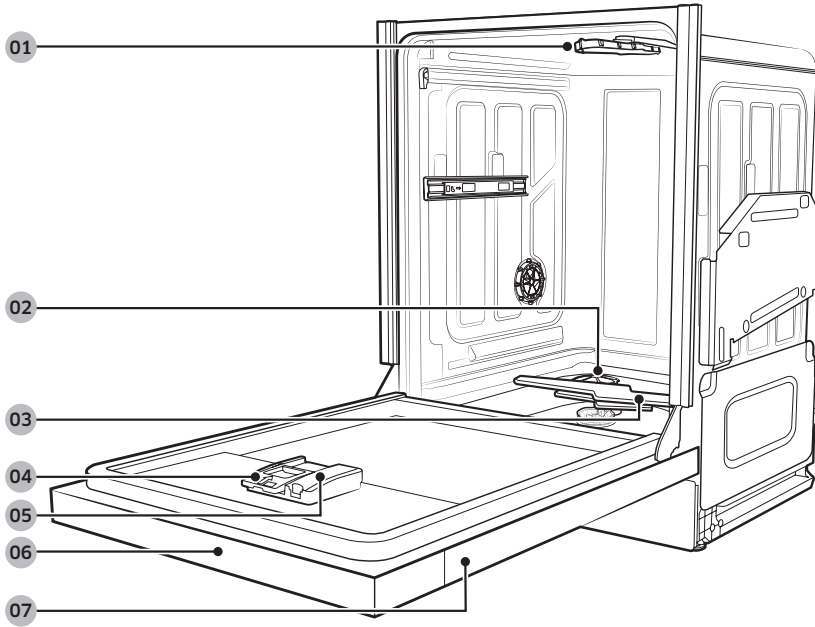


SAVE THESE INSTRUCTIONS



Product overview

Dishwasher at a glance



01 Top spray arm

02 Storm Wash+ nozzle

03 Bottom spray arm

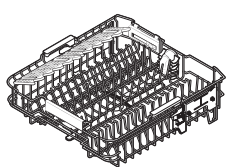
04 Detergent compartment

05 Rinse aid compartment

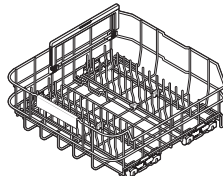
06 Control panel

07 Door

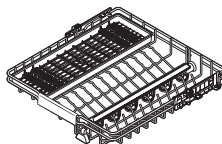
Accessories



Upper rack



Lower rack



3rd rack



Cutlery basket

NOTE

- Depending on the models, the actual appearance of the product and its parts may differ from the figures.
- Ensure that you have the user manual, installation manual, kick plate, and all accessories provided for the installation. (Refer to the Installation manual for a detailed list of provided parts.)

Before you start

Be sure to have your installer follow these instructions closely so that your new dishwasher works properly and you're not at risk of injury when washing dishes.

Unpacking your dishwasher

- Once your new dishwasher has been delivered, carefully unpack it and check for any damage. If the dishwasher has been damaged, note it on the waybill and keep a copy. Do not install the dishwasher, and contact Samsung Customer Service.
- If there is no damage to the product, you can proceed with the installation. If you are going to install it yourself, make sure to read through the installation manual and follow the instructions.
- After unpacking your dishwasher, keep the packaging out of the reach of children to ensure their safety.

Unsuitable items for the dishwasher

WARNING

Only wash items such as glass, porcelain, and cutlery which the manufacturer declares as dishwasher safe. Do not wash aluminum (for example grease filters). The dishwasher may damage aluminum, or in extreme cases, cause a severe chemical reaction.

Do not wash the following items in the dishwasher.

- Copper, brass, tin, ivory, and aluminum items or items with adhesive
- Non-heat resistant plastics
- Craft items, antiques, valuable vases, and decorative glassware
- Pottery or glazed-ceramic items
- Wooden or silver tableware or items that include wooden or silver parts
- Delicate glassware or glassware containing lead crystal. Clouding may occur on the glassware after frequent washing

CAUTION

- Do not wash items covered with ash, sand, wax, lubricating grease, or paint. These materials will damage the dishwasher. Ash does not dissolve and will spread inside the dishwasher.
- Remove food remains such as bones, fruit seeds, etc., and waste such as toothpicks, paper napkins, etc. from your dishes. Food remains and waste can make noise, cause the dishwasher to malfunction, and damage your dishes and dishwasher.

NOTE

Silverware that has contacted food containing sulfur may become discolored. Food with sulfuric content includes egg yolks, onions, mayonnaise, mustard, fish, fish brine, and marinades.

Basic use of racks

NOTE

Depending on the models, the actual appearance of the racks and the loading method may differ from the figures.

Loading the lower rack



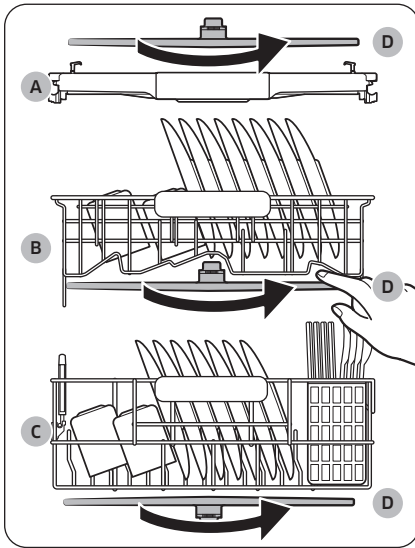
10 place settings

- Lower rack is for loading large items such as pots, pans, lids, serving dishes, and bowls.
 - Place the items in a way that water could easily flow out.
 - You can also use the lower rack to load smaller items using the folding tines and glass supports.
 - You can lift the upper rack to gain more space to load larger items.



12 place settings

Before you start

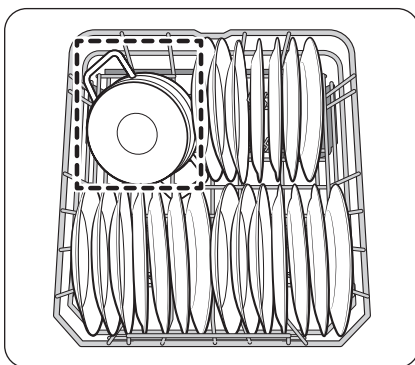


⚠ CAUTION

- Make sure the loaded items do not interfere with the rotation of the middle and bottom spray arms.
 - Check the rotation of the spray arms for any interference with your hand before starting the dishwasher.

- A. 3rd rack
- B. Upper rack
- C. Lower rack
- D. Spray arm

Loading the Storm Wash+ Area



For more effective cleaning, load larger items into the Storm Wash+ area on the left side of the lower rack (Dotted area in the figure). When you select Storm Wash+, the dishwasher supplies additional power to reinforce the water jet in the Storm Wash+ area.

Loading the upper rack



10 place settings



12 place settings

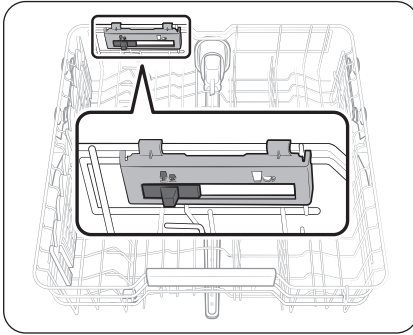
- The upper rack is for small plates, mugs, glasses, and plastic items.
 - You can adjust the position of the upper rack to use the internal space flexibly.

CAUTION

- Make sure the loaded items do not interfere with the rotation of the middle spray arm.
 - Check the rotation of the spray arm with your hand before starting the dishwasher.
- When loading items, completely pull out the upper rack to prevent bumping the items to the counter while loading.

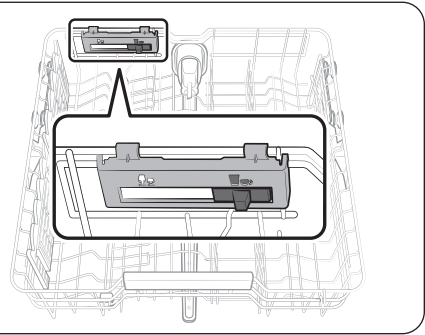
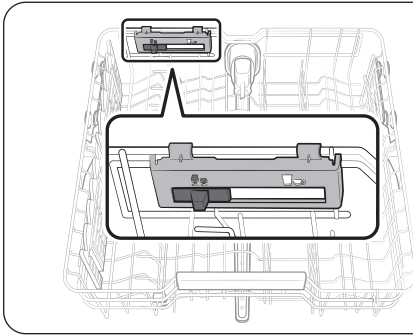
Before you start

Using the guide tines

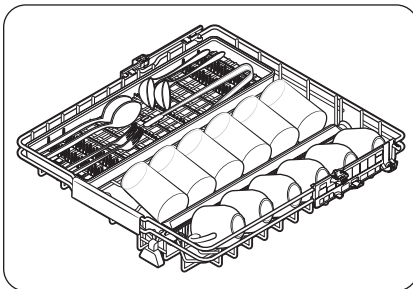


You can use the upper rack's guide tines to load items onto the upper rack in various ways. Move the slider to the right or left to adjust the guide tines suitable for loading the following items.

- Right: Standard wine glasses or brandy glasses
- Left: Standard wine glasses or shorter wine glasses



Loading the 3rd rack (Applicable models only)

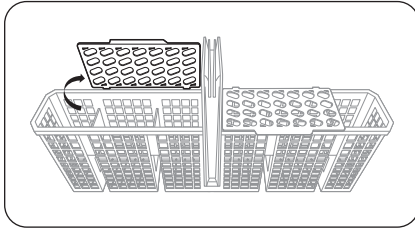


You can load flatware on the left side of the rack and cups and glasses (that are shorter than 6 inches) on the right side of the rack.

NOTE

Load cups and glasses with their openings facing the cup wash spray nozzle for effective cleaning.

Loading the cutlery basket



You can use the cutlery basket with the lids open or closed.



Close the lids and place knives, spoons, or forks into the holes on the lids to prevent chipping and discoloration.

10 place settings



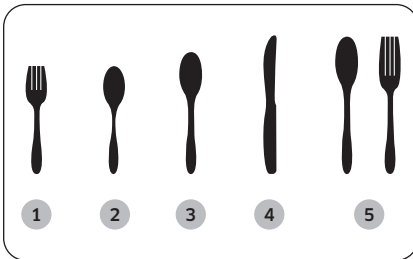
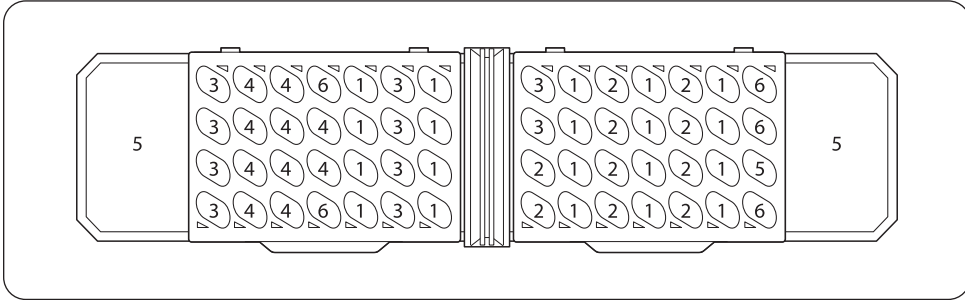
12 place settings

NOTE

Do not let any items extend through the bottom. Do not load chopsticks in the cutlery basket. Load chopsticks on the 3rd rack.

Before you start

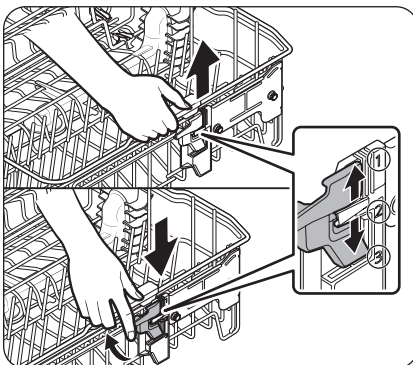
Recommended placement of items in the cutlery basket



1. Forks
2. Teaspoons
3. Dinner spoons
4. Knives
5. Serving spoons and Serving forks
6. Remaining items

Adjusting the position of the upper rack

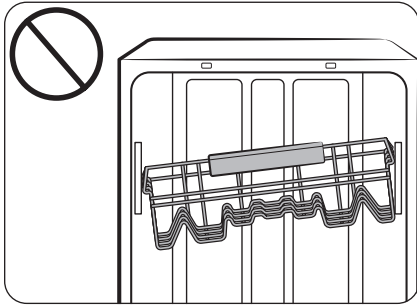
You can adjust the position of the upper rack to adjust the loading space according to the items you load to the upper and lower racks.



- To raise the upper rack, hold the handles on both sides of the rack and gently lift it upward until it locks into the desired position.
- To lower the upper rack, hold the handles on both sides and press the levers beneath the handles while gently lowering the rack until it locks into the desired position.

NOTE

You can adjust the upper rack's height from 3 different levels.



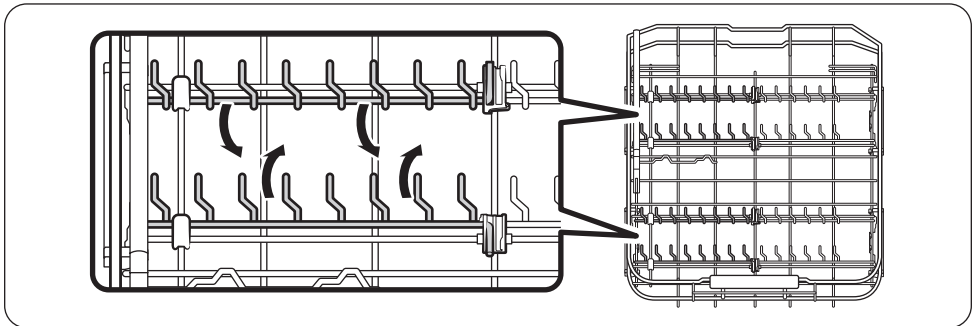
⚠ CAUTION

- Adjust the upper rack position before loading items into the rack to prevent damaging the items.
- You must level the left and right sides of the upper rack. Otherwise, the dishwasher door may not close properly or the dishwasher may not wash properly.

Using the tines

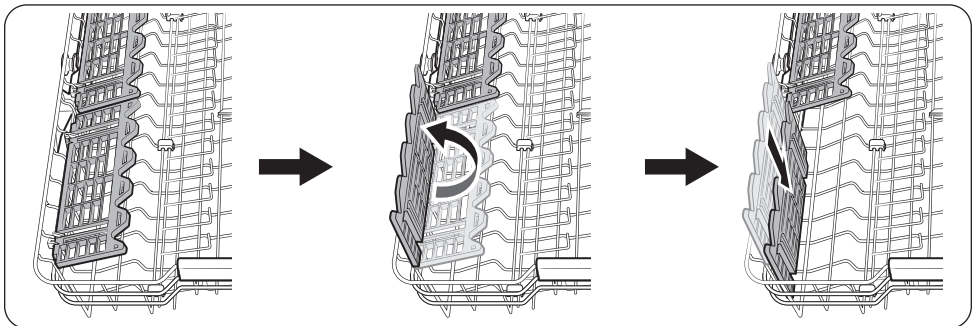
Fold or unfold the tines depending on the items you load.

Fold them for better stacking of pots and pans and unfold them to load items such as dishes.



Using the glass support

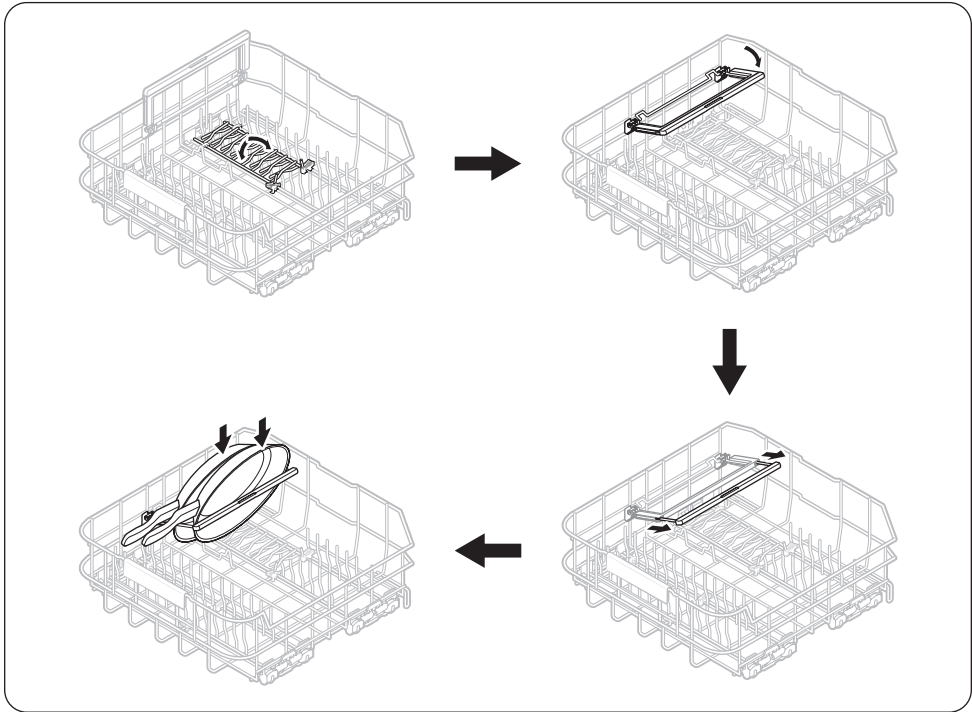
The glass support is especially suited for wine glasses. Hang wine glasses onto the pegs of the glass support. Fold the glass support back when it is not being used.



Before you start

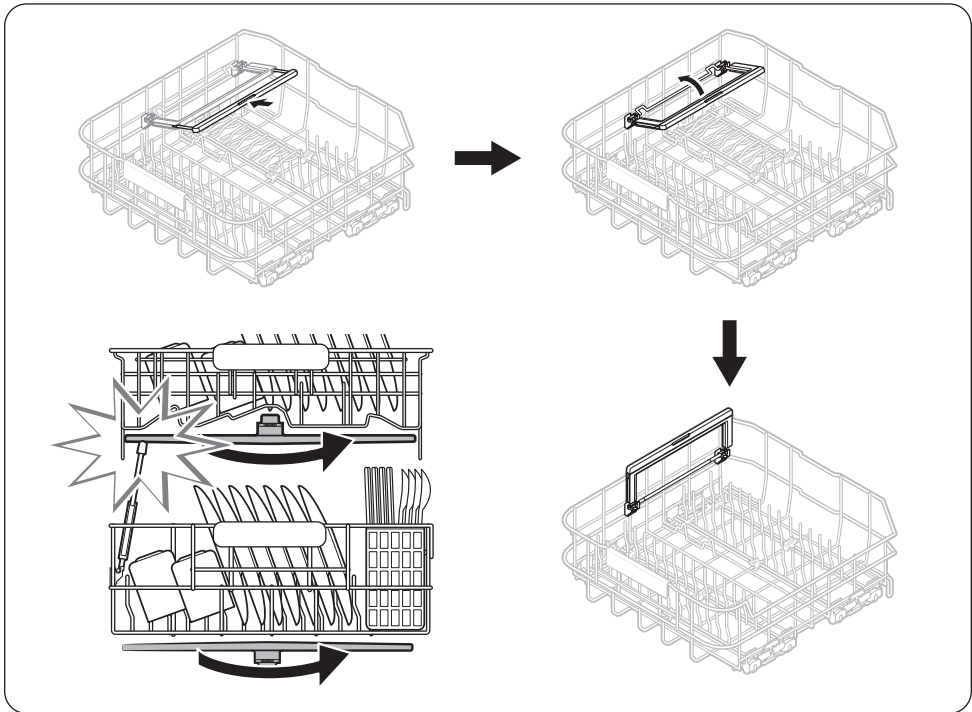
Using the pan holder

You can use the pan holder to load your pans. Fold down the tines and then lower the pan holder.



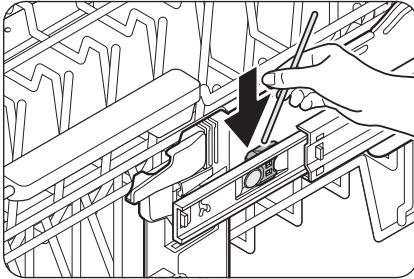
⚠ CAUTION

When not using the pan holder, first push the extended part back in, then fold up the pan holder. If the extended part is not pushed in before folding up the pan holder, it may interfere with the middle spray arm's rotation, preventing proper cleaning. Before operating the dishwasher, manually rotate the middle spray arm to ensure items and pan holder are not interfering with the middle spray arm's rotation.

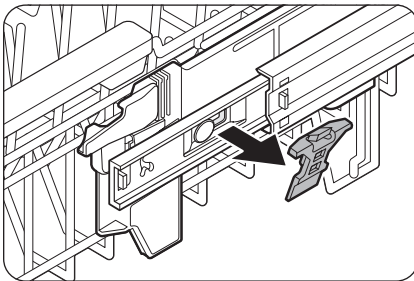


Before you start

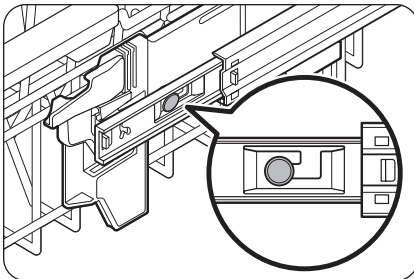
Removing the upper rack



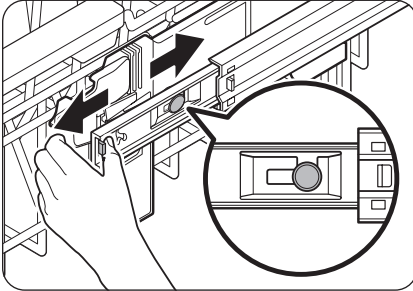
1. Push the hook on the rail holder (on left and right sides).



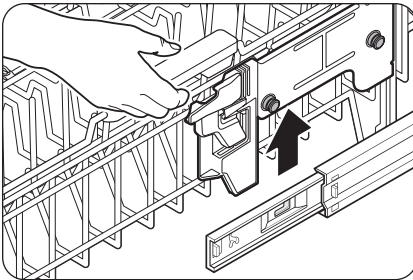
2. Remove the rail holder from the rail (on left and right sides).



3. Check the position of the shaft on the rail bracket.



4. Slide the upper rack so that the shaft is positioned at end of the rail bracket.



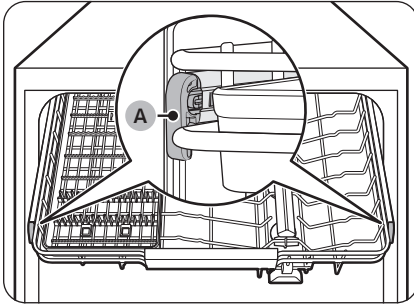
5. Lift the upper rack to remove.

⚠ CAUTION

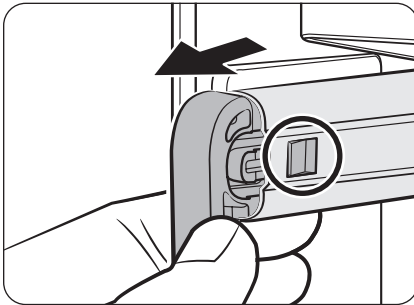
- Do not operate the dishwasher without the upper rack. Otherwise, noises occur and the dishwasher does not operate properly.
- Because the upper rack is removable, insert the upper rack properly to ensure the dishwasher operates normally.
- Be careful not to lose the rail holders during this process.

Before you start

Removing the 3rd Rack



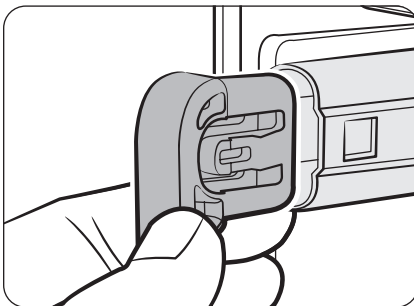
1. Facing the dishwasher, pull out the 3rd rack fully and slightly push back until the **handles (A)** line up with the front side of the rack.



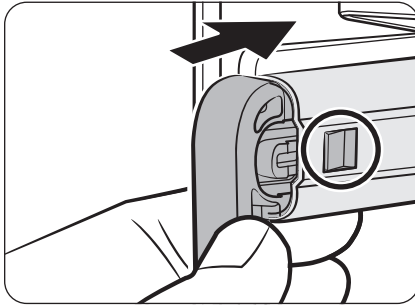
2. A small indentation is located on the inner side of the handle. This indentation engages with the lock tab that secures the handle onto the rack support.

3. While pushing down on the handle lock tab, pull out the handle towards you until it is removed.

4. Repeat this process on the other side.



5. When the handles are removed, remove the 3rd rack from the dishwasher.



- Reverse the order of removal to re-insert the 3rd rack.

⚠ CAUTION

Make sure the hook-shaped part of the handle faces downward and the handle lock (circled part in the figure) re-engages when reinserting the handle into the rail.

Detergent compartment

You must put detergent into the detergent compartment before every cycle. Put a recommended amount of detergent for the selected cycle for the best performance.

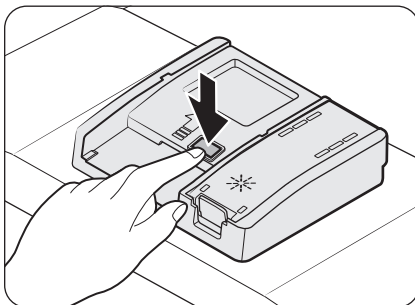
⚠ WARNING

- Do not consume dishwasher detergent. Avoid breathing in detergent fumes.
 - Dishwasher detergent contains irritants and caustic chemicals that can induce respiratory conditions.
 - If you have consumed dishwasher detergent or inhaled detergent fumes, seek medical attention immediately.
- Keep dishwasher detergent out of children's reach.

⚠ CAUTION

Use dishwasher detergent only. Other types of detergent produce excessive foam, which may decrease the dishwasher's performance or cause it to malfunction.

Filling the detergent

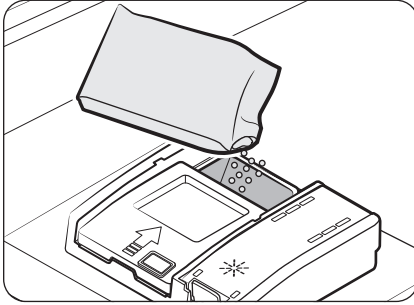


- Press the button on the detergent compartment cover to open the detergent compartment cover.

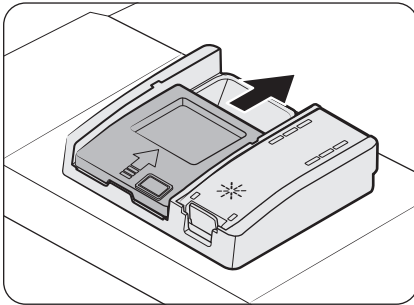
📖 NOTE

The cover remains open at the end of a cycle.

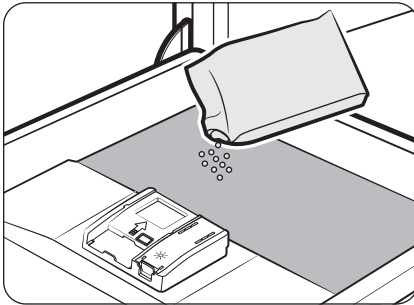
Before you start



2. Add the recommended amount of detergent into the detergent compartment.



3. Slide the cover in the direction of the arrow to close it.



4. If the items are heavily soiled, pour a small amount of detergent onto the door for the pre-wash process to get better cleaning results.

 **NOTE**

The cover opens automatically to dispense the detergent during the wash.

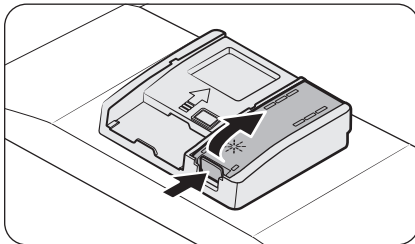
Rinse aid compartment

- Rinse aid improves the drying performance of the dishwasher.
- Refill the rinse aid compartment when you get a rinse refill alert message on the control panel.
- Only use a liquid rinse aid. A Powdered rinse aid will clog the opening of the compartment causing the dishwasher to malfunction.
- You can set the desired amount of rinse aid to dispense during each cycle. (Refer to the **Settings menu** section for more information.)

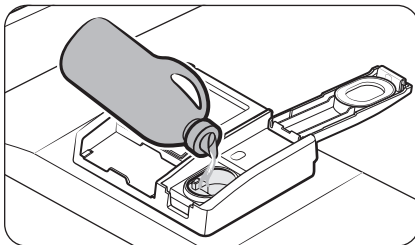
⚠ CAUTION

- Do not apply any type of detergent to the rinse aid compartment.
- Do not excessively fill the rinse aid compartment as it may overflow during a cycle.

Filling the rinse aid



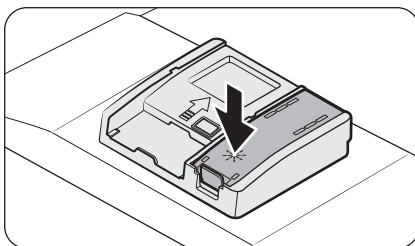
1. Open the rinse aid compartment cover.



2. Fill the rinse aid compartment with the rinse aid.

⚠ CAUTION

Do not fill the rinse aid over the max line in the compartment. Excess rinse aid can overflow during the wash cycle.



3. Close the rinse aid compartment cover.

Before you start

SmartThings

Wi-Fi connection

On your phone, go to **Settings** and connect to your home Wi-Fi network.

Download

On an app market (Google Play Store, Apple App Store, Samsung Galaxy Apps), find the SmartThings app with the search term "SmartThings". Download and install the app on your device.

NOTE

- The SmartThings app is designed for Android 8.0 or later, iOS 13.0 or later.
- For improved performance, the SmartThings app is subject to change without notice, or discontinued support according to the manufacturer's policy.

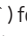
Log in

You must first log into SmartThings with your Samsung account. To create a new Samsung account, follow the instructions on the app. You don't need a separate app to create your account.

NOTE

If you have a Samsung account, use the account to log in. A registered Samsung phone user can log in automatically.

To register your device to SmartThings

1. Make sure your phone is connected to a wireless network.
2. Run SmartThings on your phone.
3. When a message of "**A new device is found.**", select **Add**.
4. If no message appears, select **+** and select your dishwasher in a list of devices available. If your dishwasher is not listed, select **Device Type > Specific Device Model**, and then add your dishwasher manually.
5. Follow the on-screen instructions to complete the connection process for your dishwasher. Touch and hold **Smart Control** () for more than 5 seconds until the "**AP**" message appears on the display. Your dishwasher will be registered with the app.
6. When the process is complete, your dishwasher will appear in the list of devices on your SmartThings App.
7. Tap the dishwasher icon to open the dishwasher page.
8. When a network connection is established, the Wi-Fi icon lights up on your dishwasher.

Dishwasher app

Integrated control: You can monitor and control your dishwasher both at home and on the go.

- Select the dishwasher icon on SmartThings. The dishwasher page appears.
- Check the operation status or notifications related to your dishwasher, and change options or settings if necessary.

NOTE

- This device is designed for household use only (Class B), and can be used in all residential areas.
- This device may cause wireless interference, and neither the manufacturer nor the installer of this device can provide a safety measure of any kind.
- Recommended encryption methods are WPA/TKIP and WPA2/AES. Newly developed Wi-Fi protocols or unapproved Wi-Fi protocols are not supported.
- The reception sensitivity of a wireless network may be affected by surrounding wireless environments.
- If your Internet provider has registered the MAC address of your PC or the modem module for permanent use, your Samsung dishwasher fails to connect to the Internet. If this happens, contact your Internet provider.
- The Internet firewall may interrupt your Internet connection. If this happens, contact your Internet provider.
- If Internet failure continues after following the measurement of your Internet provider, contact a local Samsung retailer or service center.
- For installing wired and wireless routers, refer to the user manual of the router you use.
- Samsung dishwasher supports the Wi-Fi 2.4 GHz protocols.
- Samsung dishwasher supports the IEEE802.11 b/g/n (2.4 GHz), Soft-AP protocols. (IEEE802.11n is recommended)
- An unapproved wired/wireless router may fail to connect to Samsung dishwasher.
- The SmartThings app is available on Android devices with OS 8.0 or higher and iOS devices with iOS 13 or higher. The app is optimized for Samsung phones.
- Some functions of the app may operate differently on third-party devices.
- The app is subject to change without notice for improved performance.
- In addition, further updates on the app or the function in the app may stop caused by usability and security reasons, even if updates are currently supported on your OS.
- You can easily install the SmartThings app or use the product with your phone by scanning the QR code on the attached label.

Before you start

SmartThings functions

Category	Function	Description
Monitoring	Washing status	You can check the current cycle and its options, and the remaining cycle time.
	Smart Control	The Smart Control status is shown for the dishwasher.
	Energy monitoring	Use this to monitor the energy consumption status.
Control	Start/Pause/Cancel	Select a cycle and necessary options, and then select Start/Pause/Cancel to start an operation, to stop temporarily, or to cancel the current operation.
	My Favorite	Add frequently used cycles and options to My Favorite for later use.
	Delay Start	Set Delay Start to start the cycle at a scheduled time (up to 24 hours).
	Lighting	Use this to set the brightness level of the light on the door.
Notification	Cycle completed	Notifies you when the current cycle is complete.
	Detergent	Notifies you if the dishwasher is out of rinse aid.
Washing Recipe	Cycle recommendation	Recommends the best cycle with optimal options for loaded dishes.
Homecare Wizard	Maintenance	The wizard features a device management service and a user guide.
AI Energy	AI Energy	You can turn on or off the AI Energy Mode under the Energy menu in the SmartThings app. When you operate the dishwasher after turning on the AI Energy Mode, the AI Energy Mode indicator appears on the SmartThings app or the dishwasher's control panel. The AI Energy function adjusts the operating temperature according to your usage conditions to save energy.

Open Source announcement

The software included in this product contains open source software.

The following URL http://opensource.samsung.com/opensource/SMART_TP1_0/seq/0 leads to open source license information as related to this product.



Security updates information

Security updates are provided to strengthen the security of your device and protect your personal information. For more information on security updates, visit <https://security.samsungda.com>.

- The website supports only some languages.

Before you start

Using Bixby Voice Recognition

This feature allows you to operate the product through voice commands.

When the product connects to the SmartThings app, the Bixby Voice Recognition feature is automatically enabled. You must agree to the Bixby terms before using the feature.

To activate Bixby, say "Hi, Bixby," and then give your desired command. The product will respond with voice guidance. Bixby will exit standby mode after a certain time if no command is given.

⚠ CAUTION

- Performance may be affected by the user's voice, speech style, pronunciation, and surrounding environment.
- When using the voice recognition function, speak louder than the surrounding sounds.
- To use the voice recognition function, stand within 1 meter of the product, reduce background noise, and speak clearly and loudly toward the built-in microphone.

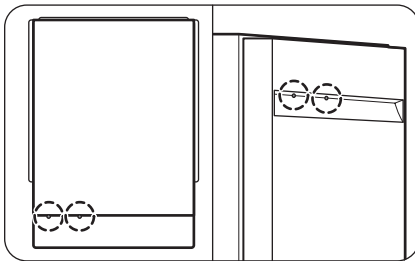
📖 NOTE

The voice recognition function may not be supported depending on the model.

Voice Commands

Refer to the following voice commands available for use with the dishwasher.

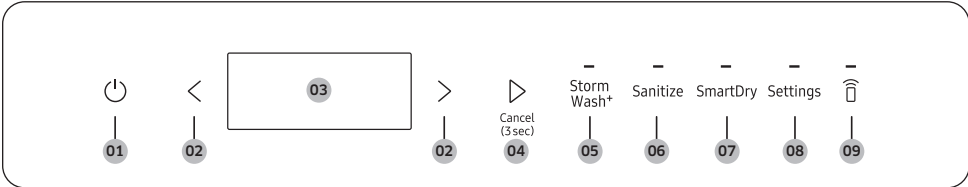
- The location of the microphone may vary depending on the model.



- Power on the dishwasher
- Power off the dishwasher
- Open the dishwasher door
- Start the dishwasher
- Start the dishwasher on [cycle name] course/cycle
- Start the dishwasher with frequently used course
- Set the dishwasher on [cycle name] course/cycle
- Tell me the available course/cycles in dishwasher
- Set [option name] option to the dishwasher
- Cancel [option name] option to the dishwasher
- Cancel the dishwasher's course/cycle
- Pause the dishwasher
- Tell me the remaining time of dishwasher
- Tell the current course/cycle for dishwasher
- Tell me the progress of dishwasher
- Tell me the status of dishwasher
- Turn on the volume of dishwasher
- Turn off the volume of dishwasher
- Turn up the volume of Bixby
- Turn down the volume of Bixby
- Tell me the serial no. of dishwasher

Operations

Control panel






01 Power	<ul style="list-style-type: none"> • Tap this button to turn the dishwasher on or off.
02 Left/Right	<ul style="list-style-type: none"> • Use these buttons to navigate through the cycles or options.
03 Display	<ul style="list-style-type: none"> • You can check various information on the display. <ul style="list-style-type: none"> - The display shows the selected cycle, options, alert message, and related information.
04 Start	<ul style="list-style-type: none"> • Tap this button to start the operation or to confirm a selection. <ul style="list-style-type: none"> - Cancel & Drain: Touch and hold this button for 3 seconds to cancel the current cycle and drain the dishwasher.
05 Storm Wash+	<ul style="list-style-type: none"> • Tap this button to turn the Storm Wash+ function on or off. <ul style="list-style-type: none"> - Use this function to wash pots, pans, durable serving bowls, and other large, heavily soiled, hard-to-clean dishes. - Load the items face down in the rear-left side of the lower basket, where the Storm Wash+ nozzle is underneath.
06 Sanitize	<ul style="list-style-type: none"> • Tap this button to turn the Sanitize function on or off. <ul style="list-style-type: none"> - Use this function to increase the water temperature to 167 °F (75 °C) in the final rinse cycle for high-temperature sanitization. - If you turn on the Sanitize function, the Sanitize lamp blinks when the water temperature reaches the sanitary temperature (over 155 °F (68 °C)) and the lamp remains on until the Sanitize function ends. - If you open the door, the Sanitize lamp will blink. 📄 NOTE <ul style="list-style-type: none"> • Only sanitizing cycles have been designed to meet the requirements for soil removal and sanitization efficacy in NSF 184. Certified residential dishwashers are not intended for licensed food establishments. • For the Sanitize mode, the amount of detergent as 3/4 oz (20 g) in Main wash dispenser and 1/3 oz (10 g) on the door for pre-wash is used.

Operations

<p>07 Smart Dry</p>	<ul style="list-style-type: none"> • Tap this button to add the Smart Dry process. The Smart Dry process uses a built-in heater to circulate warm air for better drying performance. <ul style="list-style-type: none"> - This option is not available for some cycles. • You can select from 3 different levels. Each time you tap this button the option changes in the following order. <ul style="list-style-type: none"> - Low, High, MAX, Off - MAX takes the longest operation time. <p>⚠ CAUTION</p> <ul style="list-style-type: none"> • Do not open the door during the Smart Dry process because the internal temperature becomes very hot during the process. • Do not touch the bowl inside the dishwasher or the hot air outlet right after using the Smart Dry option as they may still be hot. • Do not block the hot air outlet. Blocking the air outlet could cause poor hot air circulation during the Smart Dry process. • Try loading the heat-sensitive items as far away from the hot air outlet as possible. • For the best drying result, keep the Does per Rinse option enabled while using the Smart Dry option. <p>📖 NOTE</p> <p>Smart Dry Low condition is the recommended for regular use to completely wash a full load of normally soiled dishes.</p>
<p>08 Settings</p>	<ul style="list-style-type: none"> • Tap this button to enter the settings menu. <ul style="list-style-type: none"> - Refer to the Settings menu section for details. - You can change various settings.
<p>09 Smart Control</p>	<ul style="list-style-type: none"> • You can turn the Smart Control on or off. <ul style="list-style-type: none"> - Turning on the Smart Control allows remote access to the dishwasher.

Cycle overview

AI Wash	<ul style="list-style-type: none"> This cycle automatically detects the soil level of your items and adjusts the washing process accordingly. Additionally, AI optimizes the number of rinses during the cycle to ensure the best cleaning results. The wash time may increase if the AI adjusts options such as the number of rinses during operation. <p> NOTE The number of rinse processes is available only when the dishwasher is connected to Wi-Fi.</p>
Normal	<ul style="list-style-type: none"> This is a standard cycle for normally soiled items. <ul style="list-style-type: none"> The energy-usage label is based on this cycle.
Heavy	<ul style="list-style-type: none"> This cycle is for cleaning heavily soiled items.
Delicate	<ul style="list-style-type: none"> Select this cycle for lightly soiled, fragile items such as glasses. <ul style="list-style-type: none"> The item must be dishwasher-safe.
Express 60'	<ul style="list-style-type: none"> This cycle is for cleaning the items quickly in about an hour.
Self Clean	<ul style="list-style-type: none"> This cycle is for cleaning the inside of the dishwasher. Do not operate this cycle with the racks loaded with any items. Empty the dishwasher before running this cycle. <p> NOTE Use this cycle to clean the inside of the dishwasher after using the dishwasher 20 times, or once every month.</p>
Pre Blast	<ul style="list-style-type: none"> This cycle is for roughly and quickly dislodging large food debris to prevent caking. <p> NOTE No detergent or rinse aid is used in this cycle.</p>
Pots and Pans	<ul style="list-style-type: none"> Ideal for cleaning cookware such as pots and pans that are heavily soiled.
Plastic	<ul style="list-style-type: none"> Suitable for cleaning plastic dishes that are sensitive to heat and temperature.
Babycare	<ul style="list-style-type: none"> Use this cycle to rinse dishes with high-temperature water before drying. No detergent is used in this cycle.

Operations

Operating a cycle

1. Open the door, and then load the dishwasher. Make sure to remove food remains and waste on the dishes.
 - Do not load the dishwasher if you are going to use the Self Clean cycle.
2. Add detergent into the detergent compartment. For better results, add rinse aid into the rinse aid compartment.
3. Tap **Power** (⏻) to turn on the dishwasher.
4. Tap the < or > buttons to select the desired cycle.
5. Select the desired additional functions.
 - Tap **Storm Wash+**, **Sanitize**, or **Smart Dry** to enable or disable each function.
 - Some functions may not be available depending on the selected cycle.
6. Tap **Start** (▶), and then close the door.
 - The dishwasher starts the cycle after draining for a few seconds.

NOTE




- To cancel the cycle, touch and hold **Start** (▶) for 3 seconds.
- To resume after you have opened the door to stop the dishwasher while operating, simply close the door.

Settings

You can change your settings to your preference according to the following instructions.


1. Tap **Settings**.
2. Tap < or > to navigate through the settings menu.
3. Tap **Start** ▷ to select. Refer to the **Settings menu** section for detailed instructions on changing each setting.

Settings menu

Setting	Description / Setting instruction
Delay Start	<p>You can start the dishwasher operation at a desired time. Select from 1 to 24 hours to delay the start of the dishwasher.</p> <ol style="list-style-type: none">1. Tap < or > to select the desired time.2. Tap Start ▷ to save.<ul style="list-style-type: none">- You can tap Settings to cancel the setting. <p> NOTE You must select the desired wash cycle before setting Delay Start.</p>
Does per Rinse	<p>You can set the desired amount of rinse aid to dispense during each cycle.</p> <ol style="list-style-type: none">1. Tap < or > to select the desired amount.2. Tap Start ▷ to save.<ul style="list-style-type: none">- The setting is canceled automatically if you do not tap Start ▷ within a few seconds. <p> NOTE To disable the rinse aid refill notification, set this function to off.</p>
Auto Release Dry	<p>You can set the dishwasher to open the door automatically at the end of the wash cycle for better drying results.</p> <ol style="list-style-type: none">1. Tap < or > to select On or Off.2. Tap Start ▷ to save.<ul style="list-style-type: none">- The setting is canceled automatically if you do not tap Start ▷ within a few seconds. <p> NOTE</p> <ul style="list-style-type: none">• If you enable this function, the door opens automatically at the end of the wash cycle. When the Auto Release Dry function activates at the end of a cycle, do not block or close the door.• Turn on this function for better drying results.

Operations

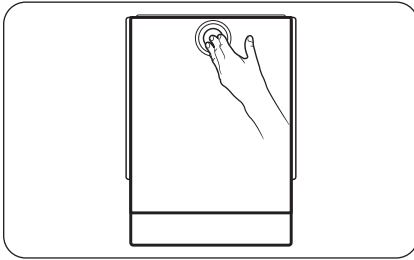
Setting	Description / Setting instruction
My Cycles	<p>You can select to show or hide some of the cycles on the list.</p> <ol style="list-style-type: none"> 1. Tap < or > to move up or down the list of cycles. 2. Tap Start ▷ to show or hide the selected cycle. <ul style="list-style-type: none"> - Checked cycles will be shown and the unchecked ones will be hidden on the list of cycles. - The Normal cycle cannot be hidden from the list. 3. Tap Settings to save.
AI Pattern	<p>Conveniently use the cycles that you use frequently. You can set your dishwasher to remember the frequently used cycles and settings and display them in frequently used order.</p> <ol style="list-style-type: none"> 1. Tap < or > to select On or Off. 2. Tap Start ▷ to save. <ul style="list-style-type: none"> - The setting is canceled automatically if you do not tap Start ▷ within a few seconds.
Lock	<p>To prevent children from playing with the dishwasher, enable this function to lock all the buttons except for Power ⏻ and Settings.</p> <ul style="list-style-type: none"> • Tap Start ▷ to enable Lock. <ul style="list-style-type: none"> - To disable Lock, touch and hold Settings for 3 seconds. <p>NOTE</p> <p>Turning off the dishwasher does not disable this function. You must touch and hold Settings for 3 seconds to manually disable the function.</p>
System Settings	<p>You can change various system settings.</p> <ol style="list-style-type: none"> 1. Tap < or > navigate through the System Settings menu. 2. Tap Start ▷ to select. 3. Change the setting based on the setting you selected. <ul style="list-style-type: none"> - Refer to the following instructions for specific settings.
	<p>Auto Open Door</p> <p>You can select the sensitivity level required to open the door when using the Auto Open Door function.</p> <ol style="list-style-type: none"> 1. Tap < or > to select Light pressure, Medium pressure, or Firm pressure. 2. Tap Start ▷ to save.
	<p>Volume</p> <p>You can change the volume of the sound.</p> <ol style="list-style-type: none"> 1. Tap < or > to select Mute, Minimum, Normal or Maximum. 2. Tap Start ▷ to save. <ul style="list-style-type: none"> - The setting is canceled automatically if you do not tap Start ▷ within a few seconds.

Setting	Description / Setting instruction	
System Settings	Microphone	<p>You can turn the microphone on or off.</p> <ol style="list-style-type: none"> 1. Tap < or > to select On or Off. 2. Tap Start ▷ to save. <ul style="list-style-type: none"> - The setting is canceled automatically if you do not tap Start ▷ within a few seconds. <p> NOTE</p> <p>This setting must be turned on to use the Bixby Voice Recognition function. (Refer to the Using Bixby Voice Recognition section for more information on the Bixby Voice recognition function.)</p>
	Temp Unit	<p>You can change the temperature unit.</p> <ol style="list-style-type: none"> 1. Tap < or > to select °F or °C. 2. Tap Start ▷ to save. <ul style="list-style-type: none"> - The setting is canceled automatically if you do not tap Start ▷ within a few seconds.
	Language	<p>You can change the system language.</p> <ol style="list-style-type: none"> 1. Tap < or > to select the desired language. 2. Tap Start ▷ to save. <ul style="list-style-type: none"> - The setting is canceled automatically if you do not tap Start ▷ within a few seconds.
	Wi-Fi	<p>You can turn the dishwasher's Wi-Fi on or off.</p> <ol style="list-style-type: none"> 1. Tap < or > to select On or Off. 2. Tap Start ▷ to save. <ul style="list-style-type: none"> - The setting is canceled automatically if you do not tap Start ▷ within a few seconds.
	Factory Reset	<p>You can reset the dishwasher to the factory setting.</p> <ol style="list-style-type: none"> 1. Tap < or > to select Reset or Cancel. 2. Tap Start ▷ to confirm.

Operations

Special features

Auto Open Door function (Applicable models only)



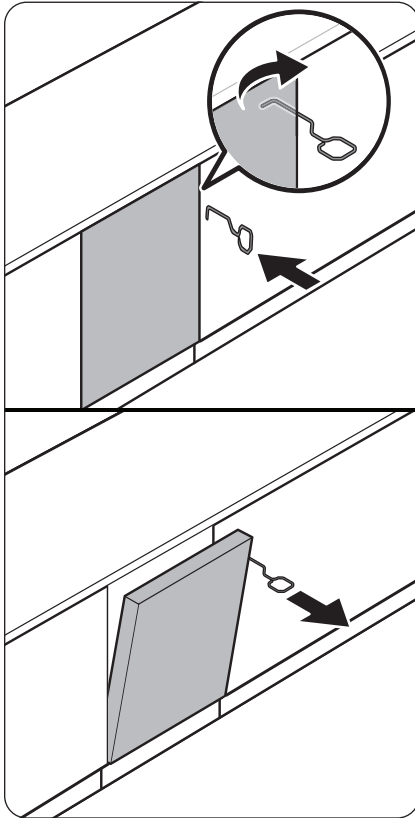
1. Gently press and release the center of the top part of the door. The door will then automatically open slightly.
 - You can adjust the sensitivity level for this function under **Settings > System Settings > Auto Open Door**.
2. When the door slightly opens, hold the top part of the door and fully open it.
 - The door does not close automatically. Close the door manually after use.

NOTE

To open the door during a cycle, press and hold the center of the top part for about 1 second until the release alarm sounds.

CAUTION

- Do not push or force stop the door while it is opening automatically. It may cause the product to malfunction.
- If the door resists opening after repeated door opening, wait for about a minute and then try again. (It may be hard to open the door immediately after closing it due to air pressure change inside the dishwasher which occurs when you open and close the door.)
- You can activate the Auto Open Door function by Bixby.
 - Be careful when using the function through Bixby because the door may open automatically, but does not close automatically.
 - We suggest using Bixby for opening the door only when you are nearby the product.



If you are unable to use the Auto Open Door function because of a power failure or other reasons, use the provided Door opening tool to open the door manually.

Maintenance

Cleaning

Keep the dishwasher clean to improve performance, reduce unnecessary repairs, and lengthen its lifecycle.

Exterior

Clean spills on the surface of the dishwasher immediately. Use a soft, damp cloth on the control panel to gently wipe away spills and dust.

If you see white stains on the control panel, clean them using a detergent containing citric acid.

CAUTION

- Do not use benzene, wax, thinner, chlorine bleach, alcohol, or other chemical substances. These materials may discolor the surface of the dishwasher and cause stains.
- The dishwasher has electric parts inside. Do not spray water directly onto the dishwasher. Protect electrical components from water.
- For a stainless-steel door panel, clean using a stainless steel cleaner for home appliances and a clean, soft cloth.

Interior

Clean the interior of the dishwasher on a regular basis to remove any dirt or food particles. Wipe inside the dishwasher and inside the door with a wet dishcloth. To maintain optimum cleanliness, recommended running the Self Clean cycle periodically with the dishwasher empty.

To keep the cutlery pad clean, turn it over after each use. To remove white spots and odors from the cutlery pad, run the Self Clean cycle with the dishwasher empty and no detergent until the cutlery pad flushes. Then, stop the cycle and put an 8-ounce cup of white vinegar into the lower basket. Close the door, and then resume the cycle.

Use a damp cloth to remove lime scale or grease deposits inside the dishwasher.

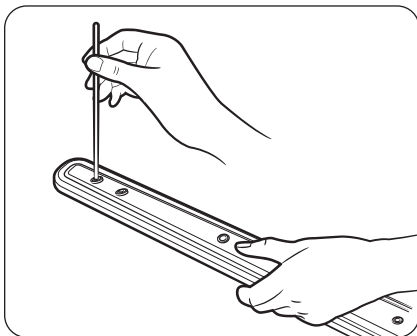
Alternatively, apply some detergent, and then run an empty cycle using the highest rinse temperature.

CAUTION

Do not remove the front seal (the long rubber seal enclosing the opening of the dishwasher). The seal keeps the inner side of the dishwasher sealed.

Spray arms

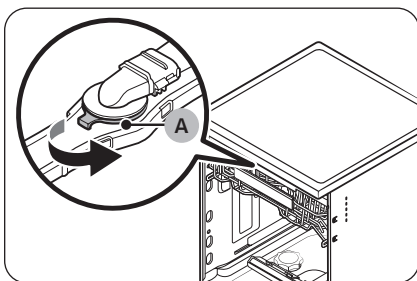
To prevent the spray arms from being clogged or if the spray arms are clogged, remove and clean each spray arm. Use caution when removing the spray arms as they may break.



NOTE

If the water holes on the spray arms are clogged, use a thin pointed tool to unclog the holes.

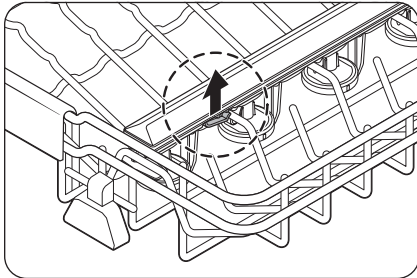
Top spray arm



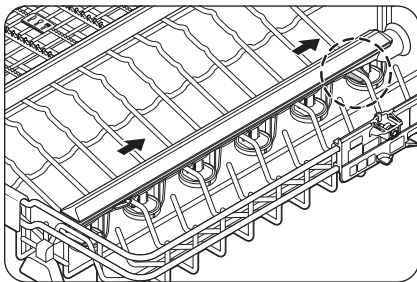
1. Open the door.
2. Remove the upper rack.
 - Refer to the **Removing the upper rack** section for detailed instructions.
 - The top spray arm is attached to the top interior wall.
 - If your model has a 3rd rack, pull it out to access the top spray arm.
3. Hold the **handle (A)**, and then push it to the right to release the top spray arm.
4. Unclog and clean the spray arm.
5. Reinsert the spray arm, and then push the **handle (A)** to the left to tighten it.
6. Rotate the spray arm to make sure it is correctly assembled.

Maintenance

Cup wash spray nozzle

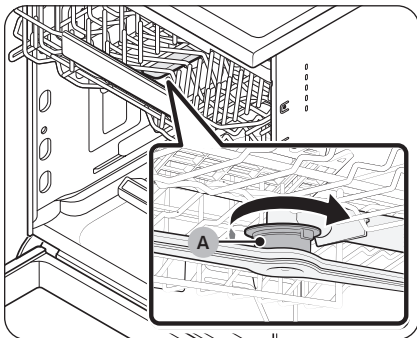


1. Release the hook at the front of the cup wash spray nozzle.
2. Slide the nozzle toward the rear to remove it from the 3rd rack.



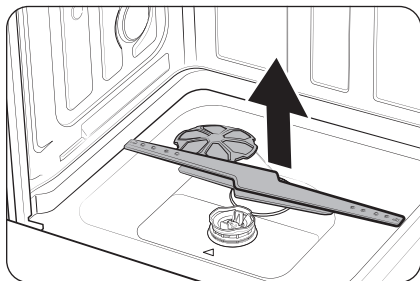
3. Unclog and clean the nozzle.
4. Assemble the nozzle.
 - Secure the rear hook (as shown in the figure) by attaching it to the 3rd rack, then slide the nozzle back into place until it clicks securely.

Middle spray arm



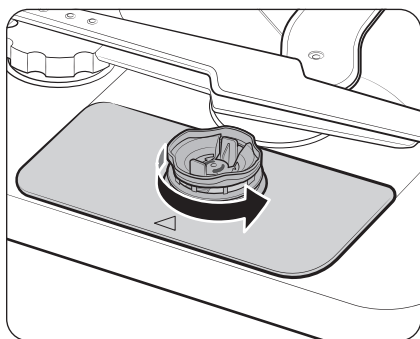
1. Open the door, and then pull out the upper rack.
 - The middle spray arm is attached underneath the upper rack.
2. Hold the **handle (A)**, and then push it to the right to release the middle spray arm.
3. Unclog and clean the spray arm.
4. Reinsert the spray arm, and then push the **handle (A)** to the left to tighten it.
5. Rotate the spray arm to make sure it is correctly assembled.

Bottom spray arm

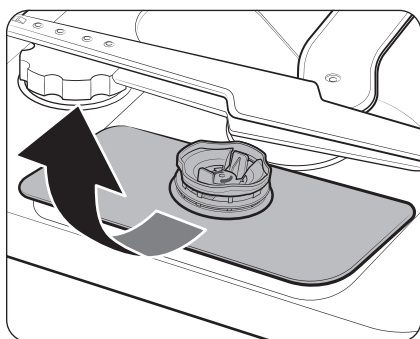


1. Open the door.
2. Remove the lower rack.
 - The bottom spray arm is attached to the bottom interior wall.
3. Pull the bottom spray arm to remove it.
4. Unclog and clean the spray arm.
5. Reinsert the spray arm.
6. Rotate the spray arm to make sure it is correctly assembled.

Filters

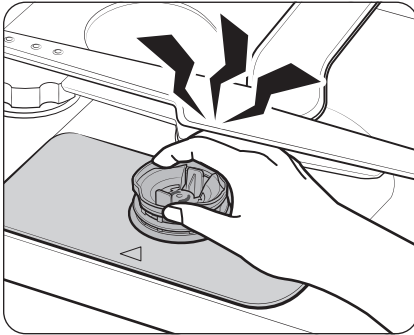


1. Open the door, and then remove the lower rack.
2. Turn the coarse filter counterclockwise to unlock the assembled filters.



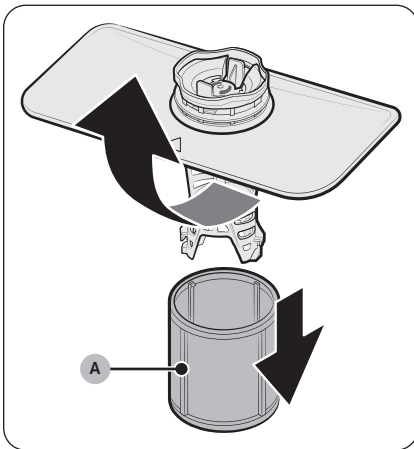
3. Lift the assembled filters and remove them from the bottom of the dishwasher.

Maintenance

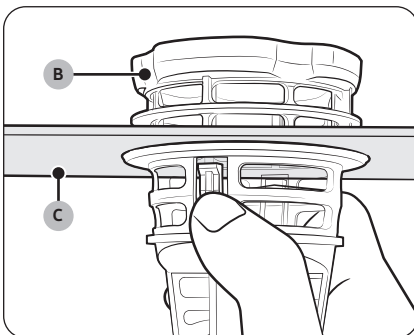


⚠ CAUTION

Watch your hand when removing the filters. Your hand could get caught between the bottom spraying arm and the filters.

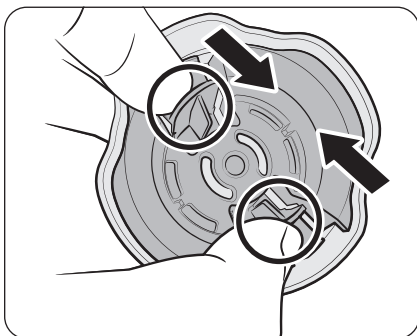


4. Disassemble the **micro filter (A)**.

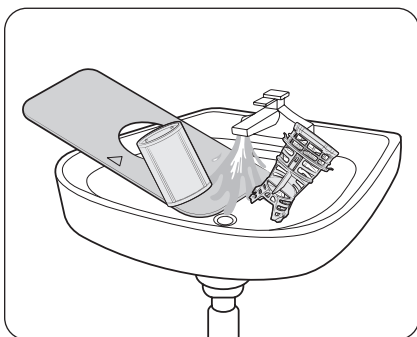


5. Disassemble the **coarse filter (B)** and the **fine filter (C)**.

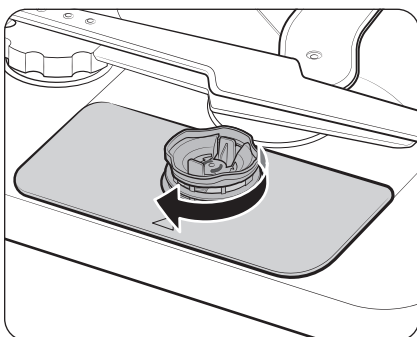
- While pressing the two release tabs on the **coarse filter (B)**, lift it to remove.



6. Remove the coarse filter cap.
 - While pressing the two release tabs on the cap, lift to remove it.



7. Thoroughly clean all the disassembled filters in running water.
8. Dry the filters before putting them back into the dishwasher.

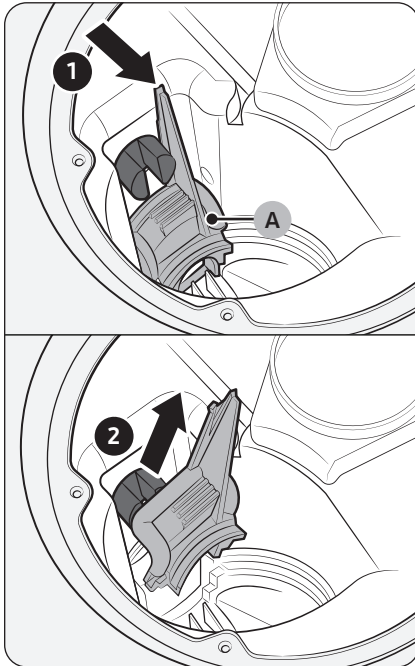


9. Assemble all the filters and put them back into the dishwasher.
10. Turn the filter handle clockwise to lock the filters.

Maintenance

Drain pump

If the dishwasher displays **5C** and fails to drain or there is an abnormal noise coming from the drain pump, you must unplug and clean the drain pump according to the following instructions. (Refer to the **Information codes** section for more information on the code displayed on the control panel.)



A. Drain pump cover

1. Remove the lower rack.
2. Refer to the **Filters** section to remove the filters.
3. Remove the drain pump cover.
 - Push the handle in the direction of the arrow (1), and then pull it up (2).
4. Check the pump's impeller, and then clean it thoroughly.
5. Put the drain pump cover in the reversed order of removal.
 - Make sure you hear a clicking sound.

NOTE

The **5C** error code may occur when the drain pump is missing or incorrectly assembled. Make sure the drain pump is correctly assembled.

Long-term care

If you will not use the dishwasher for an extended period of time, first drain the unit completely, and then disconnect the water hose. Shut off the water supply valve and the circuit breaker. Water remaining in the hoses or the internal components can damage the dishwasher.

Troubleshooting

Checkpoints

If you encounter an issue with the dishwasher, first check the table below and try the suggestions.

Following the repair by a non-authorized service provider, self-repair, or non-professional repair of the product, Samsung is not liable for any damage to the product, any injury, or any other product safety issue caused by any attempt to repair the product that does not carefully follow these repair and maintenance instructions. Any damage to the product caused by an attempt to repair the product by any person other than a Samsung-certified service provider will not be covered by the warranty.

Symptom	Possible cause	Action
The dishwasher does not start.	The door is not completely closed.	<ul style="list-style-type: none">• Make sure the door is latched and completely closed.• Make sure the middle spray arm water supply tube is properly connecting to the water outlet at the rear interior wall.• Make sure the upper rack is properly inserted.
	The power cord is not connected.	<ul style="list-style-type: none">• Connect the power cord.
	Water is not being supplied.	<ul style="list-style-type: none">• Make sure the water supply valve is open.
	The control panel is locked.	<ul style="list-style-type: none">• Disable the Lock function.
The dishwasher has bad odors.	Water remains from the previous cycle.	<ul style="list-style-type: none">• With the dishwasher empty, add detergent, and then run the Heavy cycle.
Water remains in the dishwasher after a cycle has finished.	The drain hose is kinked or clogged.	<ul style="list-style-type: none">• Straighten and unclog the drain hose.

Troubleshooting

Symptom	Possible cause	Action
Food remains on dishes.	An incorrect cycle was selected.	<ul style="list-style-type: none"> Select a cycle according to the soil level of the dishes as instructed in this manual.
	The filters are clogged or not correctly fastened.	<ul style="list-style-type: none"> Clean the filters. Make sure the filters are correctly fastened.
	An insufficient amount of detergent was used.	<ul style="list-style-type: none"> Use the correct amount of detergent for each load.
	The water pressure is low.	<ul style="list-style-type: none"> Make sure the pressure is between 20 and 120 psi (between 140 and 830 kPa).
	The spray arms are clogged.	<ul style="list-style-type: none"> Clean and unclog the spray arms.
	Dishes are improperly loaded or overloaded.	<ul style="list-style-type: none"> Arrange the dishes so they do not interfere with the spray arms or the detergent dispenser.
Dishes are not dried well enough.	The rinse aid compartment is empty.	<ul style="list-style-type: none"> Fill the rinse aid into the rinse aid compartment.
	Not enough rinse aid was used.	<ul style="list-style-type: none"> Change the Dose per Rinse setting.
	Too many dishes were loaded.	<ul style="list-style-type: none"> Overloading may reduce the drying performance. Load your dishes as recommended.
	Glasses and cups spilled water onto other dishes while being unloaded.	<ul style="list-style-type: none"> Empty the lower rack first, and then the upper rack. This will avoid water dripping from the upper rack onto the dishes in the lower rack.
	Multiple detergent tablet is used.	<ul style="list-style-type: none"> Add the Smart Dry process in MAX level.
	A cycle with a low rinse temperature was used.	<ul style="list-style-type: none"> Add the Smart Dry process in Max level. If your model does not support the Smart Dry function, add the Sanitize option.

Symptom	Possible cause	Action
The dishwasher is too noisy.	The detergent compartment is opened to dispense the detergent.	<ul style="list-style-type: none"> This is normal.
	The drain pump is operating.	<ul style="list-style-type: none"> This is normal.
	The dishwasher is not level.	<ul style="list-style-type: none"> Make sure the dishwasher is level.
	The spray arm bumps against the dishes, creating a chopping sound.	<ul style="list-style-type: none"> Rearrange the dishes.
A layer of the yellow or brown stain remains on dishes.	Coffee and tea soils.	<ul style="list-style-type: none"> Use a cycle with a higher temperature water.
The display is not turning on.	The power cord is not connected.	<ul style="list-style-type: none"> Check power supply is present.
The spray arms do not rotate smoothly.	The spray arms are clogged with food particles.	<ul style="list-style-type: none"> Clean the spray arms.
The dishwasher bubbles up and the foam remains too much on the front.	Regular detergent was used instead of dishwasher detergent.	<ul style="list-style-type: none"> Always use dishwasher detergent. Turn the dishwasher off and remove the bubbles.

Information codes

- If there is any problem, check the information message on the LCD screen and follow the on-screen instructions.
- If any information code keeps appearing on the screen, contact a local Samsung service center.

Code	Action
1C	Detergent check <ul style="list-style-type: none"> Check if regular detergent was used, and make sure to use dishwasher-specific detergent. If suds remain after using a regular detergent, remove them by supplying and draining water until removed. If the issue continues, contact a local Samsung service center.
3C	Washing pump check <ul style="list-style-type: none"> Abnormal working with washing pump. If the issue continues, contact a local Samsung service center.

Troubleshooting

Code	Action
4C	<p>Water supply check</p> <ul style="list-style-type: none"> Check if the water supply valve is closed, if the water supply is suspended, or if the water inlet valve or line is frozen or clogged by foreign particles. If the issue continues, contact a local Samsung service center.
5C	<p>Check the drain pump cover</p> <ul style="list-style-type: none"> Check if the drain pump cover is missing or incorrectly assembled. <p>Drain pump check</p> <ul style="list-style-type: none"> Check the drain pump and drain pipe. If it is jammed, clean it. If the issue continues, contact a local Samsung service center.
HC	<p>High-temperature heating check</p> <ul style="list-style-type: none"> Functional check. With the dishwasher empty, add detergent, and then run a cycle. If the issue continues, go to your home's circuit breaker panel, and set the dishwasher's circuit breaker switch to off. Contact a Samsung service center.
HC4	<p>Check if the dry heater is overheated</p> <ul style="list-style-type: none"> Turn off the dishwasher and restart it. If the issue continues, contact a local Samsung service center.
LC	<p>Leakage check</p> <ul style="list-style-type: none"> Close the water supply valve. Go to your home's circuit breaker panel and set the dishwasher's circuit breaker switch to off. Contact the installer to repair. If the issue continues, contact a local Samsung service center.
PC	<p>Zone wash function check</p> <ul style="list-style-type: none"> Functional check. Turn off the dishwasher and try to start it again. If the issue continues, contact a local Samsung service center.
9C9	<p>The IPM is overheating</p> <ul style="list-style-type: none"> Unplug the appliance and contact a local Samsung service center.
ACM	<p>External memory communication error within the SUB (Panel)</p> <ul style="list-style-type: none"> Turn off the power and contact a local Samsung service center.

Appendix

Cycle chart

Cycle		AI Wash	Normal	Heavy
Cycle sequence		Prewash > Main wash > Rinse > Hot Rinse > Dry > End	Prewash > Main wash > Rinse > Hot Rinse > Dry > End	Prewash > Main wash > Rinse > Hot Rinse > Dry > End
Temp [°F (°C)]	Main wash	131-149 (55-65)	113-144 (45-62)	149 (65)
	Hot rinse	131-149 (55-65)	126-140 (52-60)	145 (63)
Water consumption [gal (ℓ)]		2.5-5.0 (9.6-18.9)	2.5-5.0 (9.4-19.0)	5.2 (19.7)
Cycle time (min)		77-125	108-119	137
Available Options	Sanitize	0	0	0
	Smart Dry	0	0	0
	Storm Wash+	0	0	0
	Delay Start	0	0	0

Cycle		Delicate	Express 60'	Pre Blast
Cycle sequence		Main wash > Rinse > Hot Rinse > Dry > End	Main wash > Rinse > Hot Rinse > Dry > End	Prewash > End
Temp [°F (°C)]	Main wash	122 (50)	131 (55)	-
	Hot Rinse	131 (55)	131 (55)	-
Water consumption [gal (ℓ)]		3.2 (12.3)	2.9 (11.0)	1.1 (4.0)
Cycle time (min)		100	60	11
Available Options	Sanitize	X	0	X
	Smart Dry	0	0	X
	Storm Wash+	X	0	X
	Delay Start	0	0	0

Appendix

Cycle		Self Clean	Pots and Pans
Cycle sequence		Main wash > Rinse > Hot Rinse > Dry > End	Prewash > Main wash > Rinse > Hot Rinse > Dry > End
Temp [°F (°C)]	Main wash	167 (75)	158 (70)
	Hot Rinse	149 (65)	149 (65)
Water consumption [gal (ℓ)]		3.2 (12.1)	5.4 (20.4)
Cycle time (min)		105	146
Available Options	Sanitize	X	0
	Smart Dry	X	0
	Storm Wash+	X	0
	Delay Start	0	0

Cycle		Plastic	Babycare
Cycle sequence		Main wash > Rinse > Hot Rinse > Dry > End	Hot Rinse > Dry > End
Temp [°F (°C)]	Main wash	140 (60)	-
	Hot Rinse	140 (60)	163 (73)
Water consumption [gal (ℓ)]		3.4 (12.9)	1.0 (3.9)
Cycle time (min)		94	89
Available Options	Sanitize	X	X
	Smart Dry	0	0
	Storm Wash+	X	X
	Delay Start	0	0

- When you select the **Auto** or **Normal** cycle, running the Prewash and Rinse cycles depends on the soil level of the load.
- The water consumption and wash time varies depending on the steps or options you add, and on the pressure and temperature of the supplied water.
- The actual water consumption and cycle time of the AI Wash cycle may differ from the values listed in the table based on the soil level.

Helping the environment

- Your dishwasher is manufactured from recyclable materials. If you decide to dispose of it, please observe local waste disposal regulations. Cut off the power cord so that the appliance cannot be connected to a power source.
- Remove the door so that animals and small children cannot get trapped inside the appliance.
- Do not exceed the detergent quantities recommended in the detergent manufacturers' instructions.

Specifications

MODEL	DW90F89P0USR / DW90F89T0U12 / DW90F89T0UMT / DW90F89T0USR	
Type	Built-in Dishwasher	
Power	120 V / 60 Hz AC only, 15 A circuit breaker	
Wash capacity	16 place settings	
Used water pressure	20-120 psi (140-830 kPa)	
Rated power usage	Wash Motor	60-100 W
	Heater	1200 W
Dimensions (Width × Depth × Height)	23 ⁷ / ₈ x 25 x 33 ⁷ / ₈ in. (606 x 635 x 860 mm)	
Weight (Unpacked)	DW90F89P0USR: 93.7 lb (42.5 kg) DW90F89T0U12: 94.8 lb (43 kg) DW90F89T0UMT / DW90F89T0USR: 88.18 lb (40 kg)	

Warranty

Warranty (U.S.A)

SAMSUNG DISHWASHER

LIMITED WARRANTY TO ORIGINAL CONSUMER PURCHASER WITH PROOF OF PURCHASE AND/OR PROOF OF DELIVERY

This SAMSUNG brand product, as supplied and distributed by SAMSUNG ELECTRONICS AMERICA, INC. (SAMSUNG) and delivered new, in the original carton to the original consumer purchaser, is warranted by SAMSUNG against manufacturing defects in materials or workmanship for the following limited warranty periods, starting on the date of delivery to the original consumer purchaser:

One (1) year parts and labor

Five (5) years, Printed Circuit Board, Racking and Stainless Door Liner & Tub for leakage (Parts Only)

This limited warranty is valid only on products purchased and used in the United States that have been installed, operated, and maintained according to the instructions attached to or furnished with the product. To receive warranty service, the purchaser must contact SAMSUNG at the address or phone number provided below for problem determination and service procedures. Warranty service can only be performed by a SAMSUNG authorized service center. The original dated bill of sale and/or proof of delivery must be presented upon request to SAMSUNG or SAMSUNG's authorized service center to receive warranty service.

SAMSUNG will provide in-home service within the contiguous United States during the warranty period at no charge, subject to availability of SAMSUNG authorized servicers within the customer's geographic area. If the product is located in an area where service by a SAMSUNG authorized servicer is not available, you may be responsible for a trip charge or required to bring the product to a SAMSUNG authorized service center for service.

To receive in-home service, product must be unobstructed and accessible to the service agent.

During the applicable warranty period, a product will be repaired, replaced, or the purchase price refunded, at the sole option of SAMSUNG. SAMSUNG may use new or reconditioned parts in repairing a product, or replace the product with a new or reconditioned product. Replacement parts and products are warranted for the remaining portion of the original product's warranty or ninety (90) days, whichever is longer. All replaced parts and products are the property of SAMSUNG and you must return them to SAMSUNG.

This limited warranty covers manufacturing defects in materials or workmanship encountered in normal household, noncommercial use of this product and shall not cover the following: damage that occurs in shipment, delivery, installation, and uses for which this product was not intended; damage caused by unauthorized modification or alteration of the product; product where the original factory serial numbers have been removed, defaced, changed in any way, or cannot be readily determined; cosmetic damage including scratches, dents, chips, and other damage to the product's finishes; damage caused by abuse, misuse, pest infestations, accident, fire, floods, or other acts of nature or God; damage caused by use of equipment, utilities, services, parts, supplies, accessories, applications, installations, repairs, external wiring or connectors not supplied or authorized by SAMSUNG; damage caused by incorrect electrical line current, voltage, fluctuations and surges; damage caused by failure to operate and maintain the product according to instructions; in-home instruction on how to use your product; and service to correct installation not in accordance with electrical or plumbing codes or correction of household electrical or plumbing (that is house wiring, fuses, or water inlet hoses).

The cost of repair or replacement under these excluded circumstances shall be the customer's responsibility.

Visits by an authorized servicer to explain product functions, maintenance or installation are not covered by this limited warranty. Please contact SAMSUNG at the number below for assistance with any of these issues.

EXCLUSION OF IMPLIED WARRANTIES

IMPLIED WARRANTIES, INCLUDING THE IMPLIED WARRANTIES OF MERCHANTABILITY OR FITNESS FOR A PARTICULAR PURPOSE, ARE LIMITED TO ONE YEAR OR THE SHORTEST PERIOD ALLOWED BY LAW.

Some states do not allow limitations on how long an implied warranty lasts, so the above limitations or exclusions may not apply to you. This warranty gives you specific rights, and you may also have other rights, which vary from state to state.

Warranty

LIMITATION OF REMEDIES

YOUR SOLE AND EXCLUSIVE REMEDY IS PRODUCT REPAIR, PRODUCT REPLACEMENT, OR REFUND OF THE PURCHASE PRICE AT SAMSUNG'S OPTION, AS PROVIDED IN THIS LIMITED WARRANTY. SAMSUNG SHALL NOT BE LIABLE FOR SPECIAL, INCIDENTAL OR CONSEQUENTIAL DAMAGES, INCLUDING BUT NOT LIMITED TO TIME WAY FROM WORK, HOTELS AND/OR RESTAURANT MEALS, REMODELING EXPENSES, LOSS OF REVENUE OR PROFITS, FAILURE TO REALIZE SAVINGS OR OTHER BENEFITS REGARDLESS OF THE LEGAL THEORY ON WHICH THE CLAIM IS BASED, AND EVEN IF SAMSUNG HAS BEEN ADVISED OF THE POSSIBILITY OF SUCH DAMAGES. Some states do not allow exclusion or limitation of incidental or consequential damages, so the above limitations or exclusions may not apply to you. This warranty gives you specific rights, and you may also have other rights, which vary from state to state.

SAMSUNG does not warrant uninterrupted or error-free operation of the product. No warranty or guarantee given by any other person, firm, or corporation with respect to this product shall be binding on SAMSUNG.

To obtain warranty service, please contact SAMSUNG at:

In USA

Samsung Electronics America, Inc.

85 Challenger Road

Ridgefield Park, NJ 07660

1-800-SAMSUNG (726-7864)

www.samsung.com/us/support

Warranty (CANADA)

SAMSUNG DISHWASHER

LIMITED WARRANTY TO ORIGINAL PURCHASER

This SAMSUNG brand product, as supplied and distributed by SAMSUNG ELECTRONICS CANADA, INC. (SAMSUNG) and delivered new, in the original carton to the original consumer purchaser, is warranted by SAMSUNG against manufacturing defects in materials and workmanship for a limited warranty period of:

One (1) year parts and labor

Five (5) years, Printed Circuit Board, Racking and Stainless Door Liner & Tub for leakage (Parts Only)

This limited warranty begins on the original date of purchase, and is valid only on products purchased and used in the Canada. To receive warranty service, the purchaser must contact SAMSUNG for problem determination and service procedures. Warranty service can only be performed by a SAMSUNG authorized service center. The original dated bill of sale must be presented upon request as proof of purchase to SAMSUNG or SAMSUNG's authorized service center. SAMSUNG will provide in-home service during the warranty period at no charge, subject to availability within the contiguous Canada.

In home service is not available in all areas. To receive in-home service, product must be unobstructed and accessible to the service agent.

SAMSUNG will repair, replace, or refund this product at our option and at no charge as stipulated herein, with new or reconditioned parts or products if found to be defective during the limited warranty period specified above. All replaced parts and products become the property of SAMSUNG and must be returned to SAMSUNG. Replacement parts and products assume the remaining original warranty, or ninety (90) days, whichever is longer.

This limited warranty covers manufacturing defects in materials and workmanship encountered in normal, noncommercial use of this product and shall not apply to the following: damage that occurs in shipment; delivery and installation; applications and uses for which this product was not intended; altered product or serial numbers; cosmetic damage or exterior finish; accidents, abuse, neglect, fire, water, lightning, or other acts of nature or God; use of products, equipment, systems, utilities, services, parts, supplies, accessories, applications, installations, repairs, external wiring or connectors not supplied or authorized by SAMSUNG that damage this product or result in service problems; incorrect electrical line voltage, fluctuations and surges; customer adjustments and failure to follow operating instructions, maintenance and environmental instructions that are covered and prescribed in the instruction book; product removal and reinstallation; problems caused by pest infestations. This limited warranty does not cover problems resulting from incorrect electric current, voltage or supply, light bulbs, house fuses, house wiring, cost of a service call for instructions, or fixing installation errors. SAMSUNG does not warrant uninterrupted or error-free operation of the product.

Warranty

EXCEPT AS SET FORTH HEREIN, THERE ARE NO WARRANTIES ON THIS PRODUCT EITHER EXPRESS OR IMPLIED, AND SAMSUNG DISCLAIMS ALL WARRANTIES INCLUDING, BUT NOT LIMITED TO, ANY IMPLIED WARRANTIES OF MERCHANTABILITY, INFRINGEMENT OR FITNESS FOR A PARTICULAR PURPOSE. NO WARRANTY OR GUARANTEE GIVEN BY ANY PERSON, FIRM, OR CORPORATION WITH RESPECT TO THIS PRODUCT SHALL BE BINDING ON SAMSUNG. SAMSUNG SHALL NOT BE LIABLE FOR LOSS OF REVENUE OR PROFITS, FAILURE TO REALIZE SAVINGS OR OTHER BENEFITS, OR ANY OTHER SPECIAL, INCIDENTAL OR CONSEQUENTIAL DAMAGES CAUSED BY THE USE, MISUSE, OR INABILITY TO USE THIS PRODUCT, REGARDLESS OF THE LEGAL THEORY ON WHICH THE CLAIM IS BASED, AND EVEN IF SAMSUNG HAS BEEN ADVISED OF THE POSSIBILITY OF SUCH DAMAGES.

NOR SHALL RECOVERY OF ANY KIND AGAINST SAMSUNG BE GREATER IN AMOUNT THAN THE PURCHASE PRICE OF THE PRODUCT SOLD BY SAMSUNG AND CAUSING THE ALLEGED DAMAGE.

WITHOUT LIMITING THE FOREGOING, PURCHASER ASSUMES ALL RISK AND LIABILITY FOR LOSS, DAMAGE, OR INJURY TO PURCHASER AND PURCHASER'S PROPERTY AND TO OTHERS AND THEIR PROPERTY ARISING OUT OF THE USE, MISUSE, OR INABILITY TO USE THIS PRODUCT. THIS LIMITED WARRANTY SHALL NOT EXTEND TO ANYONE OTHER THAN THE ORIGINAL PURCHASER OF THIS PRODUCT, IS NONTRANSFERABLE AND STATES YOUR EXCLUSIVE REMEDY.

Some states or provinces do not allow limitations on how long an implied warranty lasts, or the exclusion or limitation of incidental or consequential damages, so the above limitations or exclusions may not apply to you. This warranty gives you specific rights, and you may also have other rights, which vary from state to state or province to province.

To obtain warranty service, please contact SAMSUNG at:

In CANADA

Samsung Electronics Canada Inc.

2050 Derry Road West

Mississauga, Ontario L5N 0B9 Canada

1-800-SAMSUNG (726-7864)

www.samsung.com/ca/support (English)

www.samsung.com/ca_fr/support (French)

Memo

Memo

Memo

SAMSUNG

QUESTIONS OR COMMENTS?

COUNTRY	CALL	OR VISIT US ONLINE AT
U.S.A	1-800-SAMSUNG (726-7864)	www.samsung.com/us/support
CANADA	1-800-Samsung (726-7864)	www.samsung.com/ca/support (English) www.samsung.com/ca_fr/support (French)



Lave-vaisselle

Manuel d'utilisation

DW90F89*****



bit.ly/samsungdishwashers

Scannez le code QR* ou rendez-vous sur le site www.samsung.com/span pour consulter nos vidéos explicatives et nos démonstrations en direct, qui sont des ressources utiles.

* Un lecteur doit avoir été installé sur votre smartphone.

SAMSUNG

Sommaire

Consignes de sécurité	4
Ce que vous devez savoir sur les consignes de sécurité	4
Symboles de sécurité importants	4
Avertissement de la Proposition 65 de la Californie	5
Consignes de sécurité importantes	5
Avant d'utiliser votre lave-vaisselle	7
Informations relatives à la réglementation	8
Présentation de l'appareil	10
Vue d'ensemble du lave-vaisselle	10
Avant de commencer	12
Déballage du lave-vaisselle	12
Objets non adaptés au lave-vaisselle	12
Utilisation de base des paniers	13
Compartiment de produit de lavage	25
Compartiment de produit de rinçage	27
SmartThings	28
Annonce de logiciel libre	31
Utilisation de la fonction de reconnaissance vocale Bixby	32
Opérations	34
Panneau de commande	34
Présentation des programmes	36
Exécution d'un programme	37
Paramètres	38
Fonctions spéciales	42
Entretien	44
Nettoyage	44
Entretien sur le long terme	50
Dépannage	51
Points de contrôle	51
Codes d'information	53

Annexe	55
Tableau des programmes	55
Protection de l'environnement	57
Caractéristiques techniques	57
Garantie	58
Garantie (ÉTATS-UNIS)	58
Garantie (CANADA)	61

Consignes de sécurité

Félicitations pour l'acquisition de votre nouveau lave-vaisselle Samsung. Ce manuel contient des informations importantes concernant l'installation, l'utilisation et l'entretien de votre appareil. Veuillez le lire attentivement afin de profiter pleinement des nombreux avantages et fonctions qu'offre votre lave-vaisselle.

Ce que vous devez savoir sur les consignes de sécurité

Les avertissements et les consignes de sécurité importantes contenus dans ce manuel ne sont pas exhaustifs. Il est de votre responsabilité de faire appel à votre bon sens et de faire preuve de prudence et de minutie lors de l'installation, de l'entretien et de l'utilisation du lave-vaisselle.

Symboles de sécurité importants

Signification des icônes et des symboles utilisés dans ce manuel :

 **AVERTISSEMENT**

Risques ou manipulations dangereuses susceptibles d'entraîner **des blessures graves, voire mortelles**.

 **ATTENTION**

Les situations ou manipulations dangereuses pouvant entraîner **des blessures ou des dommages matériels**.

 **REMARQUE**

Indique un risque de blessures ou de dommages matériels.

Ces symboles d'avertissement visent à éviter que vous ou quelqu'un d'autre ne se blesse.

Veillez vous y conformer scrupuleusement.

Lorsque vous aurez terminé de lire ce manuel, conservez-le dans un endroit sûr afin de pouvoir le consulter ultérieurement.

CONSERVEZ SOIGNEUSEMENT CES CONSIGNES

Avertissement de la Proposition 65 de la Californie

AVERTISSEMENT

Risque de cancer et d'effets nocifs sur la reproduction - www.P65Warnings.ca.gov

Consignes de sécurité importantes

AVERTISSEMENT

Lorsque vous utilisez le lave-vaisselle, respectez les consignes de base suivantes :

1. Lisez toutes les consignes de sécurité avant d'utiliser le lave-vaisselle.
2. Utilisez le lave-vaisselle uniquement pour l'utilisation prévue.
3. Utilisez uniquement des produits de lavage et des produits mouillants spécialement conçus pour lave-vaisselle et maintenez-les hors de portée des enfants.
4. Lors du chargement d'objets à laver :
 - positionnez les objets tranchants de manière à ce qu'ils ne risquent pas d'endommager le joint de la porte et
 - chargez les couteaux tranchants avec le manche vers le haut afin de réduire le risque de coupures.
5. Ne lavez pas d'objets en plastique à moins qu'ils ne portent la mention « Lavable au lave-vaisselle » (ou équivalent). Pour les objets en plastique dépourvus de cette mention, consultez les recommandations du fabricant.
6. Ne touchez pas l'ÉLÉMENT CHAUFFANT pendant ou immédiatement après utilisation.
7. Ne faites jamais fonctionner le lave-vaisselle si tous les panneaux du CHÂSSIS ne sont pas en place.
8. Ne modifiez pas les boutons de commande.
9. Ne forcez pas, ne vous asseyez pas et ne marchez pas sur la porte ou les paniers du lave-vaisselle.
10. Afin de limiter les risques de blessures, ne laissez pas les enfants jouer dans ou sur le lave-vaisselle.
11. Dans certaines conditions, de l'hydrogène peut être généré dans un système d'eau chaude qui n'a pas été utilisé pendant deux semaines voire plus. L'HYDROGÈNE EST UN GAZ EXPLOSIF. Si le système d'eau chaude est resté inutilisé pendant une telle durée, avant d'utiliser le lave-vaisselle, ouvrez tous les robinets d'eau chaude et laissez l'eau couler plusieurs minutes. Cela permet d'évacuer l'hydrogène éventuellement présent. Le gaz étant inflammable, ne fumez pas et n'utilisez pas de flamme nue lors de cette opération.
12. Retirez la porte du compartiment de lavage d'un ancien lave-vaisselle avant de le rapporter au service de réparation ou de le mettre au rebut.

ATTENTION

- Après déballage du lave-vaisselle, maintenez les emballages hors de portée des enfants.
- Le lave-vaisselle est très lourd. N'essayez pas de le déplacer ou de le soulever seul. Au minimum deux personnes sont nécessaires pour déplacer le lave-vaisselle et ainsi éviter tout risque de blessures.
- À l'instar de tout type d'équipement électrique, utilisant l'eau et comportant des parties mobiles, des risques potentiels existent.

CONSERVEZ SOIGNEUSEMENT CES CONSIGNES

Consignes de sécurité

- N'installez pas le lave-vaisselle près de composants électriques. Éloignez-le des flammes nues.
- Installez et mettez de niveau votre lave-vaisselle sur un sol non recouvert de moquette et capable de supporter son poids.
- Votre lave-vaisselle doit être correctement relié à la terre. Ne le branchez jamais à une prise non reliée à la terre. Reportez-vous à la page 7 pour obtenir plus d'informations sur la mise à la terre de votre lave-vaisselle.
- Connectez le fil de terre au connecteur de terre vert du bornier.
- Une fois le lave-vaisselle installé, vérifiez que le tuyau d'évacuation est correctement raccordé et que les raccords du tuyau ne présentent aucune fuite. Si le tuyau d'évacuation est mal fixé, cela risque d'entraîner des dégâts matériels.
- Le tuyau d'alimentation en eau est susceptible de se rompre. Avec le temps, il devient moins flexible. Vérifiez-le régulièrement. S'il est gonflé, craquelé, coupé ou s'il présente une fuite d'eau, remplacez-le immédiatement.
- Pour une utilisation sûre de cet appareil, il est fortement recommandé de vous familiariser avec ses fonctions et de rester vigilant lors de son utilisation.
- Ne mettez pas d'essence, de solvants ou autres matières inflammables dans le lave-vaisselle. Ne lavez pas d'objets ayant été exposés à ce type de matières.
- Maintenez le produit de lavage pour lave-vaisselle hors de la portée des enfants. Ce type de produits est dangereux pour la santé. Contenant des éléments de polissage, ils sont corrosifs. Évitez tout contact avec la peau ou les yeux.
- N'exercez aucune pression sur la porte lorsqu'elle est ouverte car cela risquerait d'endommager le lave-vaisselle et vous pourriez vous blesser.
- Ne laissez pas les enfants jouer dans ou sur le lave-vaisselle. Ils risqueraient de se blesser ou d'endommager le lave-vaisselle.
- Débranchez le cordon d'alimentation (ou coupez le disjoncteur) avant de procéder à l'entretien de votre lave-vaisselle.
- Ne réparez pas et ne remplacez pas vous-même les éléments du lave-vaisselle. Le démontage, les réparations et les modifications ne doivent être effectués que par des techniciens de maintenance agréés. Toute intervention de la part d'une personne non autorisée risque d'annuler la garantie.
- Avant de mettre votre lave-vaisselle au rebut, retirez la porte du compartiment de lavage ou le loquet de la porte de manière à ce que des enfants ou de petits animaux ne puissent pas être emprisonnés à l'intérieur.
- Si le lave-vaisselle reste inutilisé pendant une période prolongée, coupez l'arrivée d'eau.
- Ce lave-vaisselle est prévu pour une utilisation privée uniquement.
- Faites toujours attention lors de l'utilisation de la télécommande. Vous risquez de vous exposer à des risques de sécurité pendant l'utilisation, et des problèmes liés à l'utilisation pourraient également survenir en raison de problèmes de connectivité Internet ou de paramètres incorrects.
- Veuillez ne pas utiliser l'appareil avec des êtres vivants (comme une personne ou un animal) ou des éléments susceptibles de causer une fuite d'eau ou une explosion.

CONSERVEZ SOIGNEUSEMENT CES CONSIGNES

Avant d'utiliser votre lave-vaisselle

AVERTISSEMENT



Risque de basculement

- N'utilisez pas le lave-vaisselle avant qu'il ne soit correctement installé.
- N'appuyez pas sur la porte du lave-vaisselle lorsque celle-ci est ouverte.
- Ne placez rien de trop lourd sur la porte du lave-vaisselle lorsque celle-ci est ouverte.



Risque d'électrocution

Le non-respect de ces consignes peut entraîner un incendie ou une électrocution et avoir des conséquences mortelles.

- Reliez le lave-vaisselle à la terre.
- Connectez le fil de terre au connecteur de terre vert de la boîte de jonction.
- N'utilisez pas de rallonge.

CONSERVEZ SOIGNEUSEMENT CES CONSIGNES

Consignes de sécurité

Informations relatives à la réglementation

Réglementation FCC

PRÉCAUTIONS RELATIVES À LA FCC :

Des changements ou des modifications sans accord exprès de la partie responsable de la conformité peuvent rendre caduque l'autorisation accordée à l'utilisateur d'employer l'appareil.

Cet appareil est conforme au paragraphe 15 de la réglementation FCC. Son fonctionnement est soumis aux deux conditions suivantes :

1. Cet appareil ne doit pas provoquer d'interférences néfastes ; et
2. Cet appareil doit accepter toute interférence reçue, y compris les interférences susceptibles d'entraîner un fonctionnement indésirable.

Pour les appareils vendus sur les marchés des États-Unis et du Canada, seuls les canaux 1 à 11 sont disponibles. Vous ne pouvez pas sélectionner d'autres canaux.

DÉCLARATION DE LA FCC :

cet appareil a été testé ; il est conforme aux limitations applicables aux appareils numériques de classe B, selon le paragraphe 15 de la réglementation FCC. Ces limites sont destinées à assurer une protection suffisante contre les interférences néfastes dans une zone résidentielle.

Cet appareil génère, utilise et peut émettre de l'énergie radioélectrique. S'il n'est pas installé et utilisé selon les instructions, il peut entraîner des interférences néfastes pour les communications radio. Toutefois, aucune garantie n'est faite quant à l'absence d'interférences sur une installation particulière. S'il s'avère que cet appareil produit des interférences avec votre radio ou votre télévision (pour le vérifier, éteignez puis rallumez l'appareil), essayez de les éliminer à l'aide d'une ou de plusieurs des mesures suivantes :

- Réorientez l'antenne de réception ou changez son emplacement
- Augmentez la distance entre l'appareil et le récepteur
- Branchez l'appareil à une prise sur un autre circuit que la radio ou la télévision.
- Demandez de l'aide au revendeur ou à un technicien radio/TV expérimenté.

CONSERVEZ SOIGNEUSEMENT CES CONSIGNES



DÉCLARATION DE LA FCC CONCERNANT L'EXPOSITION AUX MICRO-ONDES :

Ce produit répond aux limites de la FCC sur l'exposition aux rayonnements établies pour un environnement non-contrôlé. Ce produit doit être installé et utilisé de sorte qu'il y ait une distance minimale de 8 pouces (20 cm) entre le radiateur et votre corps. Ce produit et sa ou ses antennes ne doivent pas être placés ou utilisés avec d'autres antennes ou transmetteurs.

Réglementation IC

Le terme « IC » devant le numéro de certification radio signifie uniquement que les spécifications techniques d'Industry Canada sont respectées. Son fonctionnement est soumis aux deux conditions suivantes : (1) cet appareil ne doit pas provoquer d'interférences, et (2) cet appareil doit accepter toute interférence reçue, y compris les interférences susceptibles d'entraîner un fonctionnement indésirable.

Cet appareil numérique de la classe B est conforme à la norme ICES-003 du Canada.

Cet appareil numérique de la classe B est conforme à la norme NMB-003 du Canada.

Pour les appareils vendus sur les marchés des États-Unis et du Canada, seuls les canaux 1 à 11 sont disponibles. Vous ne pouvez pas sélectionner d'autres canaux.

DÉCLARATION DE L'IC CONCERNANT L'EXPOSITION AUX MICRO-ONDES :

Ce produit répond aux limites de norme la IC RSS-102 en matière d'exposition aux rayonnements établies pour un environnement non-contrôlé. Ce produit doit être installé et utilisé de sorte qu'il y ait une distance minimale de 8 pouces (20 cm) entre le radiateur et votre corps. Ce produit et sa ou ses antennes ne doivent pas être placés ou utilisés avec d'autres antennes ou transmetteurs.

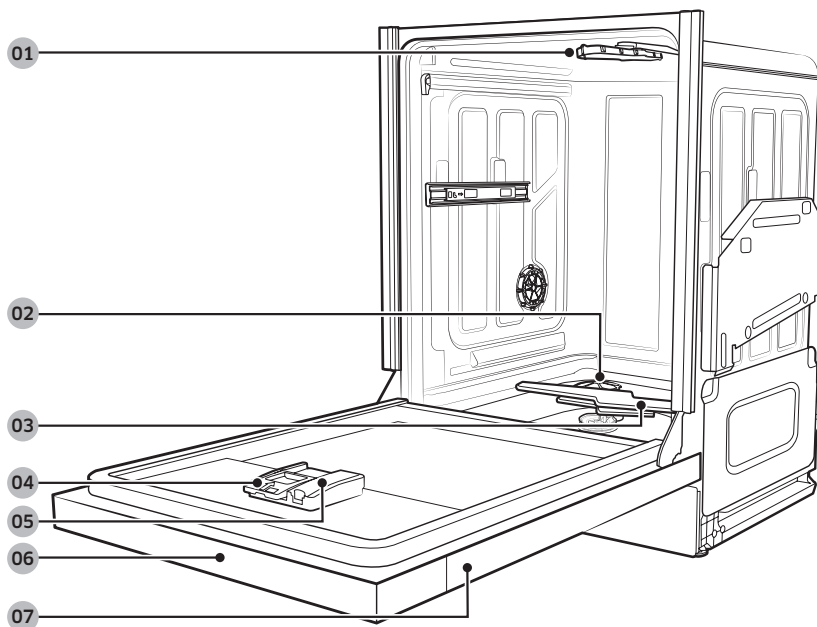


CONSERVEZ SOIGNEUSEMENT CES CONSIGNES



Présentation de l'appareil

Vue d'ensemble du lave-vaisselle



01 Bras gicleur supérieur

02 Gicleur Lavage intensif+

03 Bras gicleur inférieur

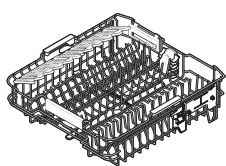
04 Compartiment de produit de lavage

05 Compartiment de produit de rinçage

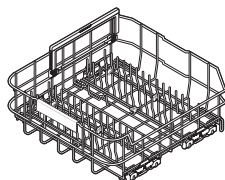
06 Panneau de commande

07 Porte

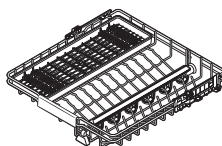
Accessoires



Panier supérieur



Panier inférieur



3e panier



Panier à couverts

REMARQUE

- En fonction du modèle, l'apparence réelle de l'appareil et de ses pièces peut être différente de celle illustrée.
- Assurez-vous de disposer du manuel d'utilisation, du manuel d'installation, de la plaque de protection, ainsi que de tous les accessoires fournis pour l'installation. (Reportez-vous au manuel d'installation pour obtenir une liste détaillée des pièces fournies.)

Avant de commencer

Veillez à ce que votre installateur respecte soigneusement ces instructions afin de garantir le bon fonctionnement de votre lave-vaisselle et d'éviter tout risque de blessures lors de son utilisation.

Déballage du lave-vaisselle

- Après la livraison de votre nouveau lave-vaisselle, déballez-le soigneusement et vérifiez qu'il n'a pas été endommagé. S'il a été endommagé, précisez-le sur le bordereau de livraison et gardez-en une copie. N'installez pas le lave-vaisselle et communiquez avec le service client Samsung.
- Si l'appareil n'est pas endommagé, vous pouvez procéder à l'installation. Si vous effectuez vous-même son installation, lisez d'abord le manuel d'installation et suivez les instructions.
- Après déballage du lave-vaisselle, maintenez les emballages hors de portée des enfants pour des raisons de sécurité.

Objets non adaptés au lave-vaisselle

AVERTISSEMENT

Lavez uniquement des objets en verre, en porcelaine et des couverts lavables au lave-vaisselle en consultant les étiquettes du fabricant. Ne lavez pas d'objets en aluminium (par exemple des filtres à graisse). Le lave-vaisselle risque d'endommager l'objet en aluminium et, dans les cas extrêmes, de provoquer une grave réaction chimique.

Ne lavez pas les objets suivants au lave-vaisselle :

- Éléments en cuivre, laiton, étain, ivoire et aluminium, ou éléments comportant un adhésif
- Éléments en plastique ne résistant pas à la chaleur
- Éléments faits à la main, antiquités, vases de valeur et verrerie décorative
- Éléments de poterie ou en céramique glaçurée
- Vaisselle en bois ou en argent, ou éléments comportant des pièces en bois ou en argent
- Verrerie délicate ou verrerie contenant du cristal au plomb Des marbrures peuvent se produire sur la verrerie après de nombreux lavages

ATTENTION

- Ne lavez pas les objets recouverts de cendre, sable, cire, lubrifiant ou peinture. Ces matériaux endommageront le lave-vaisselle. La cendre ne se dissout pas et se répandra dans tout le lave-vaisselle.
- Retirez de vos plats tous les résidus alimentaires tels que les os, pépins, etc., ainsi que les détritres comme les cure-dents, serviettes en papier, etc. Les résidus alimentaires et les détritres peuvent faire du bruit, faire dysfonctionner le lave-vaisselle et endommager vos plats et votre lave-vaisselle.

REMARQUE

Les articles en argent qui sont rentrés en contact avec des aliments contenant du soufre risquent de se décolorer. Les aliments avec une teneur en soufre incluent les jaunes d'œufs, les oignons, la mayonnaise, la moutarde, le poisson, le poisson en saumure et les marinades.

Utilisation de base des paniers

REMARQUE

En fonction du modèle, l'apparence réelle des paniers et la méthode de chargement peuvent être différentes de celles illustrées.

Chargement du panier inférieur



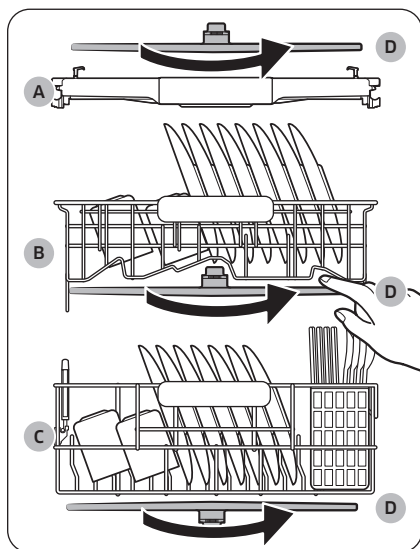
10 couverts



12 couverts

- Le panier inférieur est destiné au chargement d'éléments de grosse taille, comme des casseroles, des poêles, des couvercles, de la vaisselle de table et des saladiers.
 - Placez les éléments de manière à permettre un écoulement facile de l'eau.
 - Vous pouvez également utiliser le panier inférieur pour charger des éléments de plus petite taille en utilisant les tiges rabattables et les supports de verres.
 - Vous pouvez rehausser le panier supérieur pour obtenir plus de place afin de pouvoir charger des éléments de plus grande taille.

Avant de commencer

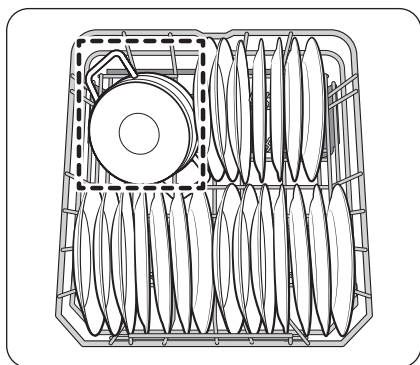


- A. 3e panier
- B. Panier supérieur
- C. Panier inférieur
- D. Bras gicleur

⚠ ATTENTION

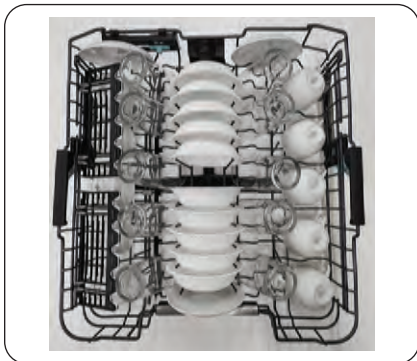
- Assurez-vous que les éléments chargés n'interfèrent pas avec la rotation des bras gicleurs central et inférieur.
 - Avant de démarrer le lave-vaisselle, vérifiez avec votre main que les bras gicleurs tournent sans interférences.

Chargement de la zone Lavage intensif+



Pour un lavage plus efficace, chargez les éléments plus volumineux dans la zone Lavage intensif+ sur le côté gauche du panier inférieur (zone en pointillés sur l'illustration). Lorsque vous sélectionnez Lavage intensif+, le lave-vaisselle fournit davantage de puissance pour renforcer le jet d'eau dans la zone Lavage intensif+.

Chargement du panier supérieur



10 couverts



12 couverts

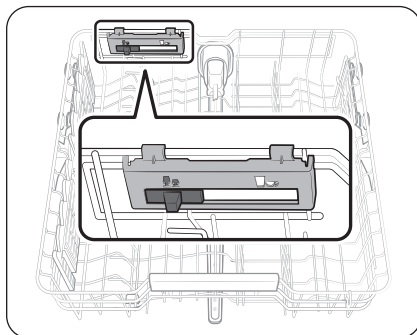
- Le panier supérieur est conçu pour accueillir les soucoupes, les tasses, les verres et les objets en plastique.
 - Vous pouvez ajuster la position du panier supérieur pour pouvoir utiliser l'espace interne de manière flexible.

⚠ ATTENTION

- Assurez-vous que les éléments chargés n'interfèrent pas avec la rotation du bras gicleur central.
 - Avant de démarrer le lave-vaisselle, vérifiez la bonne rotation du bras gicleur avec votre main.
- Lors du chargement d'éléments, sortez complètement le panier supérieur pour éviter de heurter les éléments sur le plan de travail.

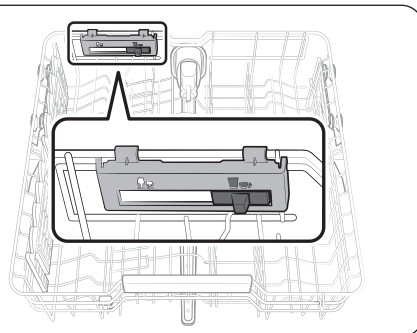
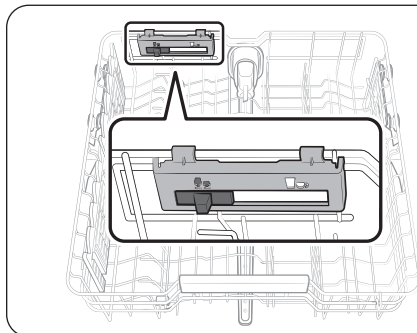
Avant de commencer

Utilisation des tiges de guidage

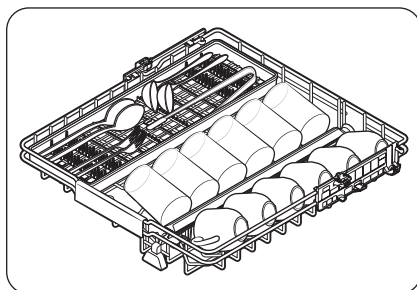


Vous pouvez utiliser les tiges de guidage du panier supérieur pour charger les éléments sur le panier supérieur de diverses manières. Déplacez la glissière vers la droite ou la gauche pour ajuster les tiges de guidage de manière adaptée au chargement des éléments suivants.

- Vers la droite : verres à vin classiques ou verres à cognac
- Vers la gauche : verres à vin classiques ou verres à vin plus petits



Chargement du 3e panier (modèles applicables uniquement)

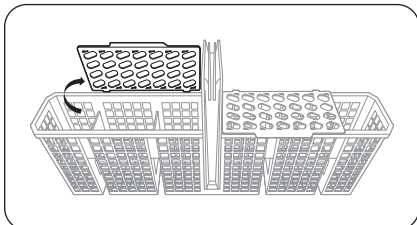


Vous pouvez charger la vaisselle plate sur le côté gauche du panier, et les tasses et verres (dont la hauteur est inférieure à 6 pouces) sur le côté droit du panier.

REMARQUE

Chargez les tasses et verres avec leur ouverture orientée dans la direction du gicleur de lavage des tasses, afin de garantir un lavage efficace.

Chargement du panier à couverts



Vous pouvez utiliser le panier à couverts avec les couvercles ouverts ou fermés.



Fermez les couvercles et placez les couteaux, cuillères ou fourchettes dans les trous des couvercles pour éviter tout écaillage ou toute décoloration.

10 couverts



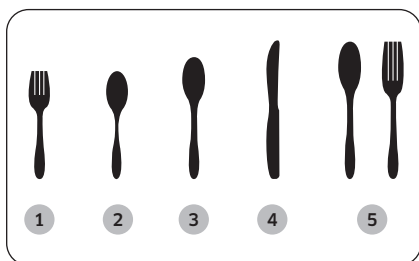
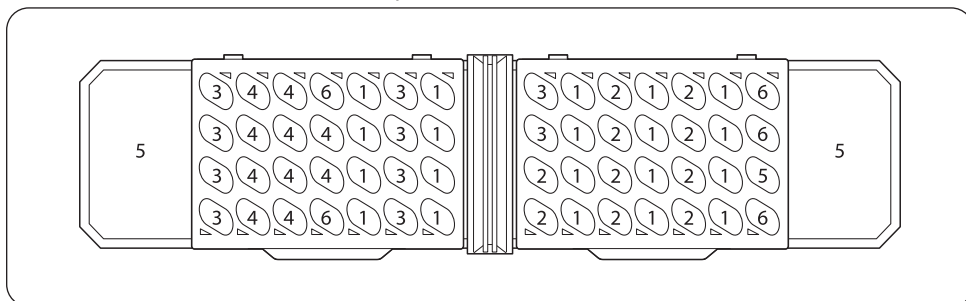
12 couverts

REMARQUE

Ne laissez jamais un couvert dépasser par le bas. Ne chargez pas de baguettes dans le panier à couverts. Chargez les baguettes sur le 3e panier.

Avant de commencer

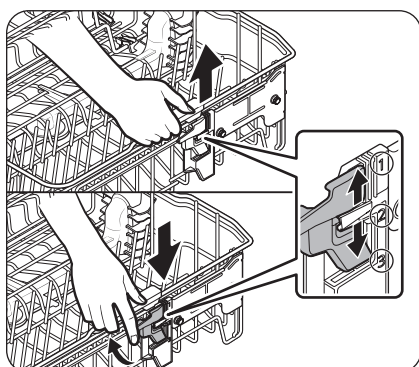
Positionnement recommandé des couverts dans le panier à couverts



1. Fourchettes
2. Cuillères à café
3. Cuillères de table
4. Couteaux
5. Cuillères de service et Fourchettes de service
6. Autres

Réglage de la position du panier supérieur

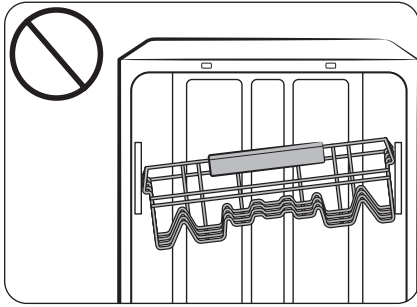
Vous pouvez régler la position du panier supérieur pour ajuster l'espace de chargement en fonction des éléments que vous devez charger dans les paniers supérieur et inférieur.



- Pour relever le panier supérieur, tenez les poignées situées des deux côtés du panier, puis soulevez ce dernier jusqu'à ce qu'il se verrouille dans la position souhaitée.
- Pour abaisser le panier supérieur, tenez les poignées situées des deux côtés du panier et appuyez sur les leviers se trouvant en dessous des poignées, tout en abaissant doucement le panier jusqu'à ce qu'il se verrouille dans la position souhaitée.

REMARQUE

Vous pouvez régler la hauteur du panier supérieur sur 3 niveaux différents.



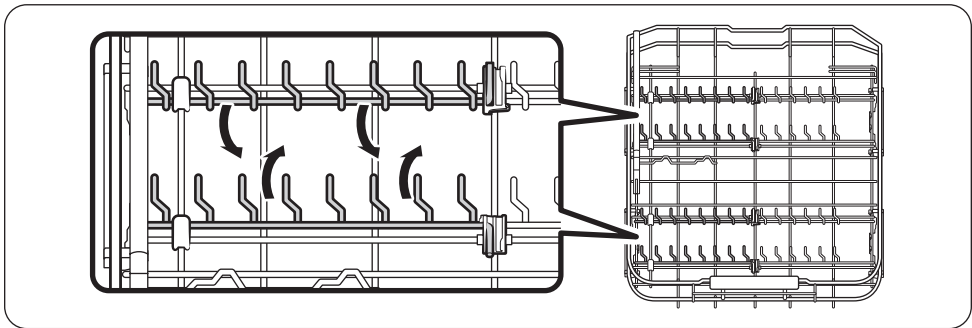
⚠ ATTENTION

- Pour éviter d'endommager les éléments, réglez la position du panier supérieur avant de charger les éléments dans le panier.
- Vous devez mettre de niveau les côtés gauche et droit du panier supérieur. En cas de non-respect de cette consigne, la porte du lave-vaisselle risque de ne pas se fermer correctement ou le lave-vaisselle risque de mal laver.

Utilisation des tiges

Rabattez ou déployez les tiges en fonction des éléments que vous devez charger.

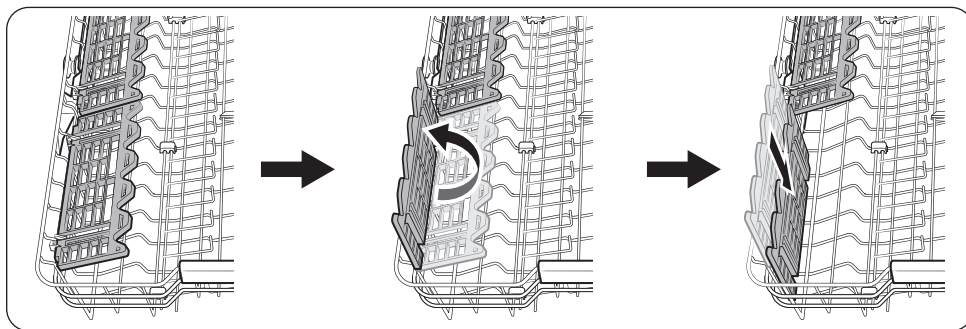
Rabattez-les pour pouvoir mieux empiler les casseroles et poêles, ou déployez-les pour charger des éléments telles que des assiettes.



Avant de commencer

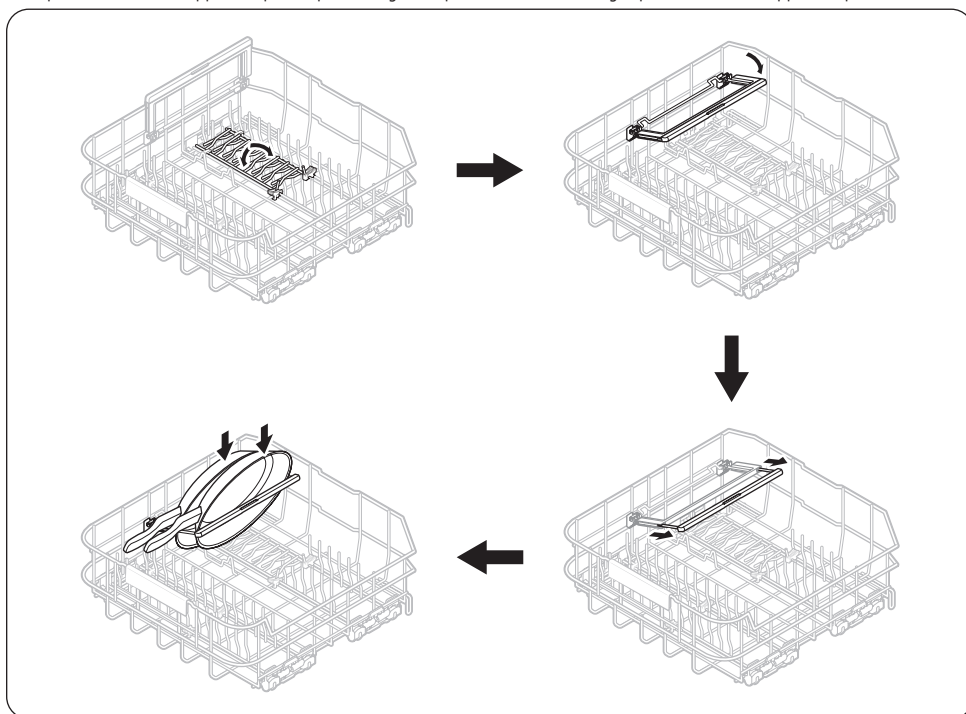
Utilisation du porte-verres

Le porte-verres est spécialement adapté aux verres à pied. Glissez les verres à pied dans les encoches du porte-verres. Repliez le porte-verres si vous ne souhaitez pas vous en servir au cours d'un lavage.



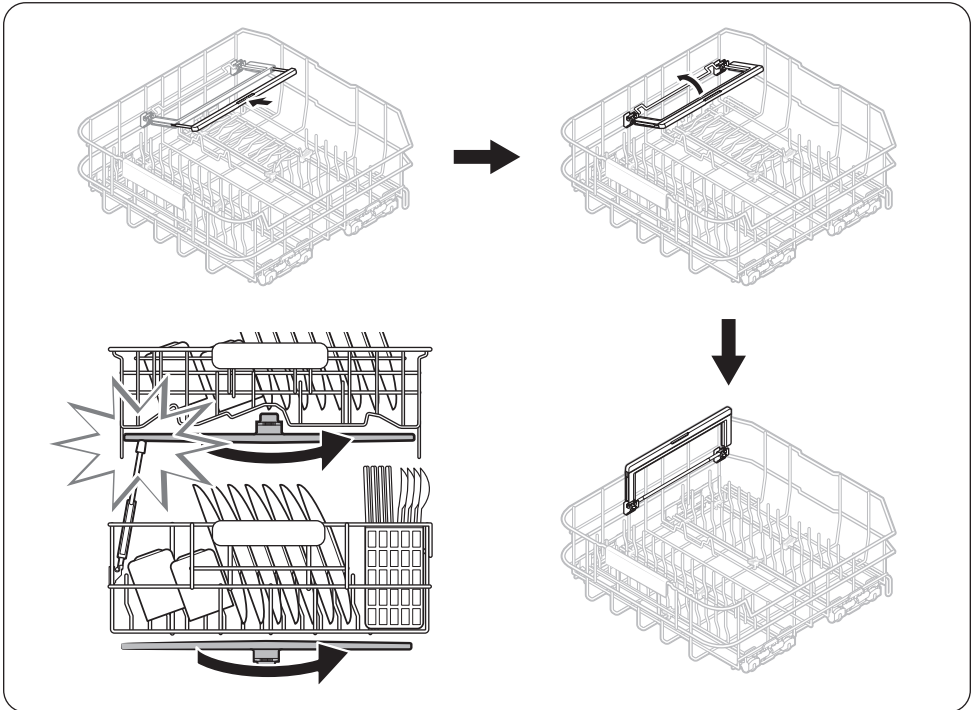
Utilisation du support de poêles

Vous pouvez utiliser le support de poêles pour charger vos poêles. Rabattez les tiges puis abaissez le support de poêles.



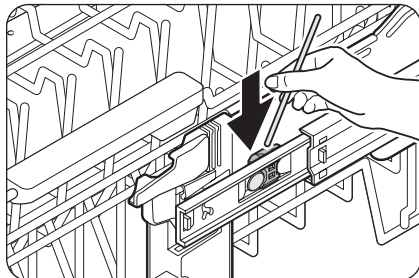
⚠ ATTENTION

Lorsque vous n'utilisez pas le support de poêles, repoussez d'abord la partie déployée vers l'intérieur, puis repliez le support de poêles vers le haut. Si vous ne repoussez pas la partie déployée vers l'intérieur avant de replier le support de poêles vers le haut, il risque d'interférer avec la rotation du bras gicleur central, empêchant alors un lavage approprié. Avant d'utiliser le lave-vaisselle, faites tourner manuellement le bras gicleur central pour vérifier que les articles et le support de poêles n'interfèrent pas avec la rotation du bras gicleur central.

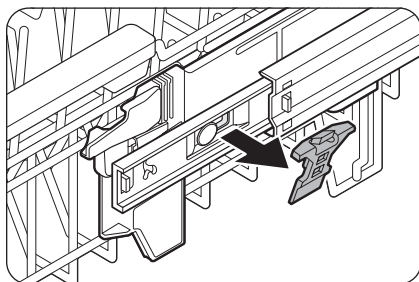


Avant de commencer

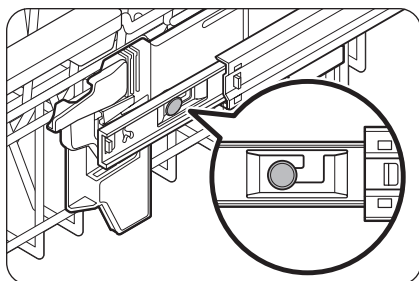
Retrait du panier supérieur



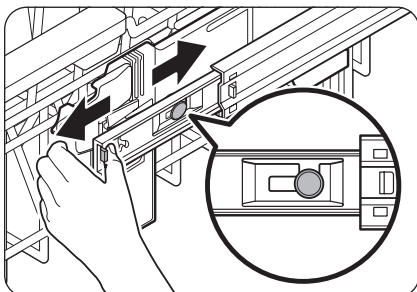
1. Pressez le crochet sur le support de rail (côtés gauche et droit).



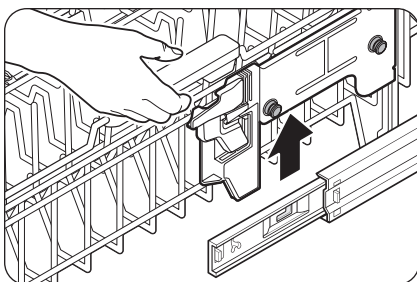
2. Retirez le support de rail au niveau du rail (côtés gauche et droit).



3. Vérifiez la position de l'axe sur le support de rail.



4. Faites glisser le panier supérieur de manière à ce que l'axe soit positionné au bout du support du rail.



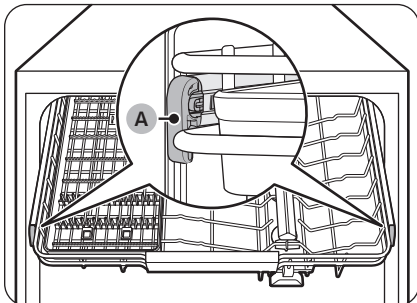
5. Soulevez le panier supérieur pour le retirer.

⚠ ATTENTION

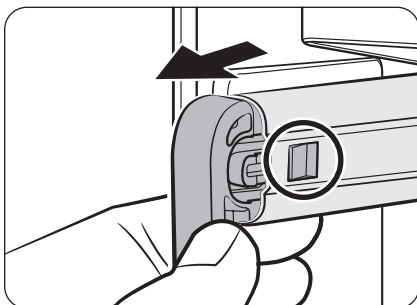
- Ne mettez pas le lave-vaisselle en marche sans le panier supérieur. Autrement, le lave-vaisselle ne fonctionnera pas correctement et fera du bruit.
- Le panier supérieur étant amovible, insérez-le correctement pour que le lave-vaisselle puisse fonctionner normalement.
- Faites attention à ne pas perdre les supports de rail pendant ce processus.

Avant de commencer

Retrait du 3e panier



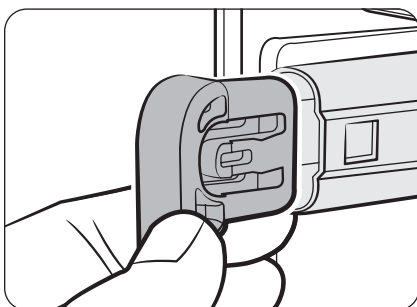
1. Mettez-vous face au lave-vaisselle, tirez le 3e panier complètement vers vous et repoussez-le légèrement jusqu'à ce que les **poignées (A)** s'alignent avec l'avant du panier.



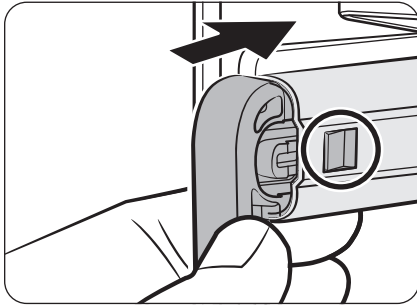
2. Une petite encoche est située sur l'intérieur de la poignée. Cette encoche permet d'enclencher la patte de fixation qui fixe la poignée au support du panier.

3. Pendant que vous appuyez sur la patte de fixation de la poignée, tirez la poignée vers vous jusqu'à ce qu'elle soit retirée.

4. Recommencez ce processus de l'autre côté.



5. Une fois les poignées retirées, retirez le 3e panier du lave-vaisselle.



6. Inversez l'ordre de retrait pour réinsérer le 3e panier.

⚠ ATTENTION

Vérifiez que la pièce en forme de crochet sur la poignée soit face en bas et que la patte de fixation de la poignée (pièce entourée sur l'illustration) s'enclenche lors de la réinsertion de la poignée dans le rail.

Compartiment de produit de lavage

Avant chaque programme, vous devez verser du produit de lavage dans le compartiment de produit de lavage. Afin de garantir des performances optimales, ajoutez la quantité recommandée de produit de lavage pour le programme sélectionné.

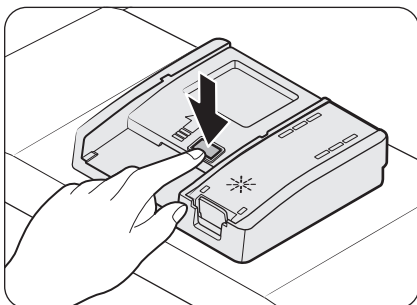
⚠ AVERTISSEMENT

- N'ingérez pas de produit pour lave-vaisselle. Évitez de respirer les vapeurs du produit de lavage.
 - Le produit de lavage contient des produits chimiques corrosifs et irritants pouvant provoquer des problèmes respiratoires.
 - Si vous avez ingéré du produit de lavage ou si vous avez inhalé des vapeurs, consultez immédiatement un médecin.
- Gardez le produit de lavage hors de portée des enfants.

⚠ ATTENTION

Utilisez uniquement du produit de lavage pour lave-vaisselle. Les autres types de produit de lavage produisent trop de mousse, ce qui peut diminuer les performances du lave-vaisselle ou provoquer son dysfonctionnement.

Remplissage du réservoir de produit de lavage

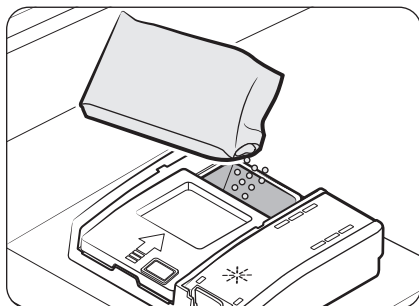


1. Appuyez sur le bouton du cache du compartiment de produit de lavage pour ouvrir le cache du compartiment de produit de lavage.

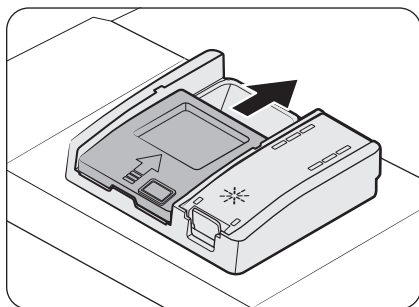
📖 REMARQUE

Le cache reste ouvert à la fin d'un programme.

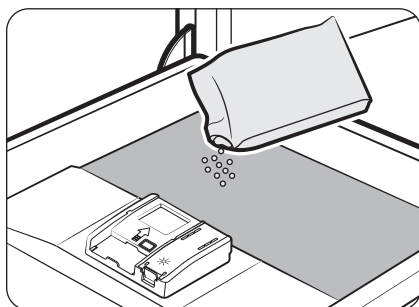
Avant de commencer



2. Ajoutez la quantité recommandée de produit de lavage dans le compartiment de produit de lavage.



3. Faites glisser le cache dans le sens de la flèche pour le fermer.



4. Si les éléments sont très sales, versez une petite quantité de produit de lavage sur la porte en vue du processus de pré-lavage, afin d'obtenir de meilleurs résultats de lavage.

REMARQUE

Le couvercle s'ouvrira automatiquement pour déverser le produit dans la machine au cours du lavage.

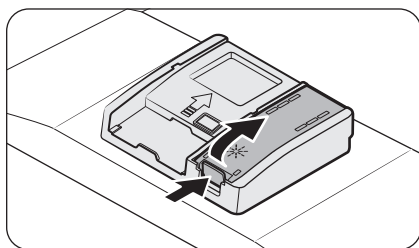
Compartiment de produit de rinçage

- Le produit de rinçage améliore la performance de séchage du lave-vaisselle.
- Remplissez le compartiment de produit de rinçage lorsqu'un message d'alerte de remplissage de produit de rinçage s'affiche sur le panneau de commande.
- Utilisez uniquement du produit de rinçage liquide. L'utilisation d'un produit de rinçage en poudre entraînerait le colmatage de l'ouverture du compartiment et provoquerait le dysfonctionnement du lave-vaisselle.
- Vous pouvez régler la quantité souhaitée de produit de rinçage à appliquer pendant chaque programme. (Reportez-vous à la section **Menu des paramètres** pour obtenir plus d'informations.)

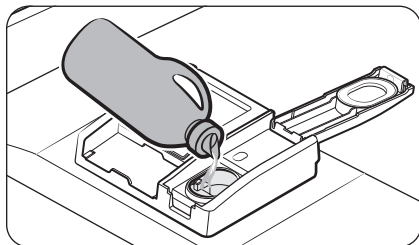
⚠ ATTENTION

- Ne remplissez pas le compartiment de produit de rinçage avec du produit de lavage.
- Ne remplissez pas à l'excès le compartiment de produit de rinçage, car il risquerait de déborder pendant un programme.

Remplissage du réservoir de produit de rinçage



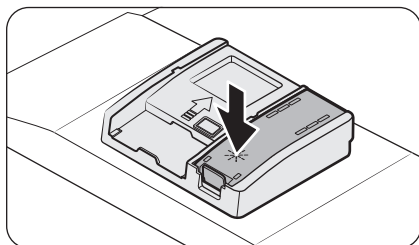
1. Ouvrez le cache du compartiment de produit de rinçage.



2. Remplissez le compartiment de produit de rinçage avec du produit de rinçage.

⚠ ATTENTION

N'ajoutez pas de produit de rinçage au-delà de la marque de remplissage maximal figurant sur le compartiment. Un excès de produit de rinçage peut déborder au cours du programme de lavage.



3. Fermez le cache du compartiment de produit de rinçage.

Avant de commencer

SmartThings

Connexion au réseau Wi-Fi

Sur votre téléphone, allez dans **Settings (Paramètres)** puis connectez-vous au réseau Wi-Fi de votre domicile.

Téléchargement

Sur un marché d'applications (Google Play Store, Apple App Store ou Samsung Galaxy Apps), recherchez l'application SmartThings avec le mot-clé « SmartThings ». Téléchargez et installez l'application sur votre appareil.

REMARQUE

- L'application SmartThings a été conçue pour Android 8.0 ou une version ultérieure et pour iOS 13.0 ou une version ultérieure.
- Pour des performances accrues, l'application SmartThings peut être modifiée sans préavis, ou sa prise en charge peut s'arrêter conformément à la politique du fabricant.


Connexion

Vous devez d'abord vous connecter à SmartThings avec votre compte Samsung. Pour créer un nouveau compte Samsung, suivez les instructions affichées sur l'application. Vous n'avez pas besoin d'une application séparée pour créer votre compte.

REMARQUE

Si vous avez déjà un compte Samsung, utilisez-le pour vous connecter. Une personne utilisant un téléphone Samsung enregistré peut se connecter automatiquement.

Enregistrement de votre appareil sur SmartThings

1. Assurez-vous que votre téléphone est connecté à un réseau sans fil.
2. Ouvrez SmartThings sur votre téléphone.
3. Lorsque le message « **A new device is found. (Nouvel appareil détecté.)** » s'affiche, sélectionnez **Add (Ajouter)**.
4. Si aucun message n'apparaît, sélectionnez **+** et appuyez sur votre lave-vaisselle dans la liste des appareils disponibles. Si votre lave-vaisselle ne figure pas dans la liste, sélectionnez **Device Type (Type d'appareil) > Specific Device Model (Modèle d'appareil spécifique)**, puis ajoutez votre lave-vaisselle manuellement.
5. Suivez les instructions affichées à l'écran pour effectuer le processus de connexion pour votre lave-vaisselle. Maintenez le bouton **Smart Control** () enfoncé pendant plus de 5 secondes jusqu'à ce que le message « **AP** » s'affiche à l'écran. Votre lave-vaisselle est à présent enregistré sur l'application.
6. Une fois le processus terminé, votre lave-vaisselle apparaîtra dans la liste d'appareils sur votre application SmartThings.
7. Appuyez doucement sur l'icône du lave-vaisselle pour ouvrir la page du lave-vaisselle.
8. Lorsqu'une connexion au réseau est établie, l'icône de réseau Wi-Fi s'allume sur votre lave-vaisselle.

Application Lave-vaisselle

Commande intégrée : vous pouvez suivre et contrôler votre lave-vaisselle que vous soyez chez vous ou en déplacement.

- Sélectionnez l'icône du lave-vaisselle sur SmartThings. La page relative au lave-vaisselle s'affiche.
- Vérifiez l'état de fonctionnement de votre lave-vaisselle ou les notifications qui lui sont associées, puis modifiez les options ou paramètres si nécessaire.

REMARQUE

- Cet appareil est conçu pour un usage domestique uniquement (Classe B) et il peut être utilisé dans tous types de zones résidentielles.
- Cet appareil peut générer des interférences sans fil et ni le fabricant, ni l'installateur de cet appareil ne peut offrir de mesure de sécurité quelconque.
- Les méthodes de cryptage recommandées sont WPA/TKIP et WPA2/AES. Les protocoles Wi-Fi nouvellement développés ou les protocoles Wi-Fi non approuvés ne sont pas pris en charge.
- La sensibilité de réception d'un réseau Wi-Fi peut être affectée par les environnements sans fil environnants.
- Si votre fournisseur de services Internet a enregistré l'adresse MAC de votre ordinateur ou du module de modem pour un usage permanent, votre lave-vaisselle Samsung ne parviendra pas à se connecter à Internet. Si cela se produit, communiquez avec votre fournisseur de services Internet.
- Le pare-feu Internet peut interrompre votre connexion Internet. Si cela se produit, communiquez avec votre fournisseur de services Internet.
- Si la panne de connexion Internet persiste alors que vous avez suivi la mesure indiquée par votre fournisseur de services Internet, communiquez avec un centre de dépannage ou un revendeur Samsung local.
- Pour l'installation de routeurs filaires et sans fil, reportez-vous au manuel d'utilisation du routeur que vous utilisez.
- Le lave-vaisselle Samsung prend en charge les protocoles Wi-Fi 2,4 GHz.
- Le lave-vaisselle Samsung prend en charge les protocoles IEEE802.11 b/g/n (2,4 GHz) et Soft-AP. (Le protocole IEEE802.11n est recommandé.)
- Un routeur filaire/sans fil non approuvé peut ne pas parvenir à se connecter au lave-vaisselle Samsung.
- L'application SmartThings est disponible sur les appareils Android avec la version 8.0 du système d'exploitation ou une version ultérieure et sur les appareils iOS avec la version 13.0 du système d'exploitation ou une version ultérieure. L'application est optimisée pour les téléphones Samsung.
- Certaines fonctions de l'application peuvent fonctionner différemment sur des appareils tiers.
- L'application est susceptible d'être modifiée sans préavis, à des fins d'amélioration des performances.
- En outre, il se peut que les futures mises à jour sur l'application ou les fonctions sur l'application cessent pour des raisons d'utilisabilité et de sécurité, même si les mises à jour sont actuellement prises en charge sur votre système d'exploitation.
- Vous pouvez facilement installer l'application SmartThings ou utiliser l'appareil avec votre téléphone en scannant le code QR figurant sur l'étiquette apposée.

Avant de commencer

Fonctions SmartThings

Catégorie	Fonction	Description
Monitoring (Surveillance)	Statut de lavage	Vous pouvez vérifier le programme actuellement réglé ainsi que ses options, de même que le temps restant.
	Smart Control	Le statut de la fonction Smart Control est indiqué pour le lave-vaisselle.
	Surveillance de la consommation d'énergie	Utilisez cette fonction pour surveiller le statut de consommation d'énergie.
Control (Commande)	Start (Départ)/Pause/Cancel (Annuler)	Sélectionnez un programme et les options nécessaires, puis sélectionnez Start (Départ)/Pause/Cancel (Annuler) pour démarrer, arrêter temporairement ou annuler l'opération en cours.
	My Favorite (Mes favoris)	Ajoutez des programmes et options fréquemment utilisés dans My Favorite (Mes favoris) pour pouvoir y accéder rapidement la prochaine fois.
	Delay Start (Démarrage différé)	Réglez la fonction Delay Start (Démarrage différé) pour démarrer le programme à une heure planifiée (jusqu'à 24 heures de différé).
	Lighting (Éclairage)	Utilisez cette option pour contrôler le niveau de luminosité de la lumière sur la porte.
Notification (Notification)	Cycle completed (Fin du programme)	Vous avertit lorsque le programme en cours est terminé.
	Detergent (Produit de lavage)	Vous avertit si le lave-vaisselle est en marche sans produit de rinçage.
Washing Recipe (Recette de lavage)	Cycle recommendation (Programme recommandé)	Vous recommande le programme le plus approprié avec les options optimales pour la vaisselle chargée.
Homecare Wizard (Assistant d'entretien)	Maintenance (Entretien)	L'assistant fournit un service de gestion des appareils et un guide d'utilisation.
AI Energy (Économie d'énergie)	AI Energy (Économie d'énergie)	Vous pouvez activer ou désactiver le mode AI Energy (Économie d'énergie) dans menu Energy (Énergie) sur l'application SmartThings. Lorsque vous utilisez le lave-vaisselle après avoir activé le mode AI Energy (Économie d'énergie), le voyant du mode AI Energy (Économie d'énergie) apparaît sur l'application SmartThings ou sur le panneau de commande du lave-vaisselle. La fonction AI Energy (Économie d'énergie) ajuste la température de fonctionnement en fonction de vos conditions d'utilisation, afin de faire des économies d'énergie.

Annonce de logiciel libre

Le logiciel inclus dans ce produit contient un logiciel libre.

L'URL suivante http://opensource.samsung.com/opensource/SMART_TP1_0/seq/0 mène aux informations relatives à la licence libre associée à cet appareil.



Informations concernant les mises à jour de sécurité

Des mises à jour de sécurité sont fournies dans le but de renforcer la sécurité de votre appareil et pour protéger vos informations personnelles. Pour obtenir plus d'informations concernant les mises à jour de sécurité, rendez-vous sur le site <https://security.samsungda.com>.

- Le site Web ne prend en charge que certaines langues.

Avant de commencer

Utilisation de la fonction de reconnaissance vocale Bixby

Cette fonction vous permet d'envoyer des instructions à l'appareil en utilisant des commandes vocales.

Lorsque l'appareil se connecte à l'application SmartThings, la fonction de reconnaissance vocale Bixby Voice est activée automatiquement. Vous devez accepter les conditions de Bixby avant d'utiliser cette fonction.

Pour activer Bixby, dites « Dis, Bixby » et prononcez votre commande vocale souhaitée. L'appareil réagira à votre commande vocale. Bixby quittera le mode veille après un certain temps si aucune commande n'est donnée.

ATTENTION

- Il se peut que les performances soient impactées par la voix de l'utilisateur, le style d'élocution, la prononciation et l'environnement autour.
- Lors de l'utilisation de la fonction de reconnaissance vocale, veillez à ce que votre voix soit plus forte que les sons autour.
- Pour utiliser la fonction de reconnaissance vocale, tenez-vous à maximum 1 mètre de distance de l'appareil, réduisez le bruit de fond et parlez clairement et bien fort en direction du microphone intégré.

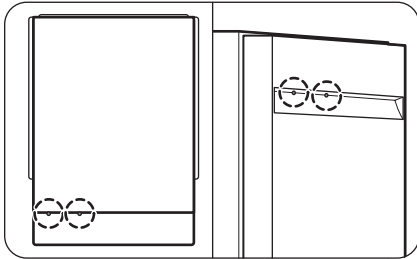
REMARQUE

Il se peut que la fonction de reconnaissance vocale ne soit pas prise en charge sur certains modèles.

Commandes vocales

Reportez-vous aux commandes vocales suivantes disponibles pour l'utilisation avec le lave-vaisselle.

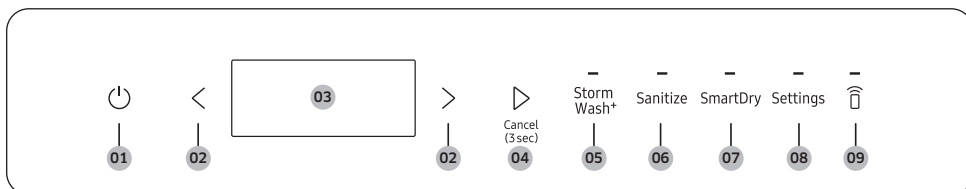
- L'emplacement du microphone peut varier en fonction du modèle.



- Allume le lave-vaisselle
- Éteins le lave-vaisselle
- Ouvre la porte du lave-vaisselle
- Démarre le lave-vaisselle
- Démarre le lave-vaisselle avec le programme [nom du programme]
- Démarre le lave-vaisselle sur le cycle le plus fréquent
- Régle le lave-vaisselle sur le programme [nom du programme]
- Quels sont les cycles de vaisselle pris en charge sur le lave-vaisselle
- Active l'option [nom de l'option] du lave-vaisselle
- Désactive l'option [nom de l'option] sur le lave-vaisselle
- Annule la vaisselle
- Mets la vaisselle en pause
- Donne-moi le temps restant du lave-vaisselle
- Quel est le mode actuel du lave-vaisselle
- Quel est le progrès du lave-vaisselle
- Quel est le statut du lave-vaisselle
- Active le son sur le lave-vaisselle
- Désactive le son sur le lave-vaisselle
- Monte le volume de Bixby sur le lave-vaisselle
- Baisse le volume de Bixby sur le lave-vaisselle
- Dis-moi le numéro de série du lave-vaisselle

Opérations

Panneau de commande



01 Power (Marche/Arrêt)	<ul style="list-style-type: none"> Appuyez sur ce bouton pour allumer ou éteindre le lave-vaisselle.
02 Gauche/Droite	<ul style="list-style-type: none"> Utilisez ces boutons pour parcourir les programmes ou options.
03 Écran	<ul style="list-style-type: none"> Vous pouvez consulter diverses informations sur l'écran. <ul style="list-style-type: none"> L'écran indique le programme et options sélectionnés, les messages d'alerte et les informations associées.
04 Start (Départ)	<ul style="list-style-type: none"> Appuyez sur ce bouton pour démarrer le programme ou pour confirmer une sélection. <ul style="list-style-type: none"> Cancel & Drain (Annuler et vidanger) : Laissez votre doigt appuyé sur ce bouton pendant 3 secondes pour annuler le programme en cours et vidanger le lave-vaisselle.
05 Storm Wash+ (Lavage intensif+)	<ul style="list-style-type: none"> Appuyez sur ce bouton pour activer ou désactiver la fonction Storm Wash+ (Lavage intensif+). <ul style="list-style-type: none"> Utilisez cette fonction pour laver des casseroles, des poêles, des saladiers passant au lave-vaisselle et d'autres éléments de vaisselle de grande taille, très sales et difficiles à nettoyer. Chargez les éléments face vers le bas à l'arrière gauche du panier inférieur, car le gicleur Storm Wash+ (Lavage intensif+) se trouve en dessous.
06 Sanitize (Stériliser)	<ul style="list-style-type: none"> Appuyez sur ce bouton pour activer ou désactiver la fonction Sanitize (Stériliser). <ul style="list-style-type: none"> Utilisez cette fonction pour augmenter la température de l'eau à 167 °F (75 °C) lors de la phase de rinçage final pour une stérilisation à haute température. Si vous activez la fonction Sanitize (Stériliser), le voyant de la fonction Sanitize (Assainissement) clignote lorsque la température de l'eau atteint la température de stérilisation (supérieure à 155 °F (68 °C)), puis il reste allumé jusqu'à la fonction Sanitize (Stériliser) soit terminée. Si vous ouvrez la porte, le voyant de la fonction Sanitize (Stériliser) clignotera. <p>REMARQUE</p> <ul style="list-style-type: none"> Seul les programmes de stérilisation ont été conçus pour répondre aux exigences de la norme NSF 184 concernant l'élimination des saletés et l'efficacité d'assainissement. Les lave-vaisselle domestiques certifiés ne sont pas conçus pour une utilisation dans des établissements de restauration sous licence. Pour le mode Sanitize (Stériliser), la quantité de produit de lavage est de 3/4 oz (20 g) dans le réservoir de lavage principal et de 1/3 oz (10 g) sur la porte pour le pré-lavage.

<p>07 Smart Dry (Séchage intelligent)</p>	<ul style="list-style-type: none"> • Appuyez sur ce bouton pour ajouter le processus Smart Dry (Séchage intelligent). Le processus Séchage intelligent utilise une résistance intégrée pour faire circuler l'air chaud afin de garantir de meilleures performances de séchage. <ul style="list-style-type: none"> - Cette option n'est pas disponible pour certains programmes. • Pour la sélection, vous avez le choix entre 3 niveaux différents. Chaque fois que vous appuyez sur ce bouton, l'option proposée change dans l'ordre suivant : <ul style="list-style-type: none"> - Faible, Élevé, MAX, Désactiver - Le niveau MAX correspond au temps de fonctionnement le plus long. <p>⚠ ATTENTION</p> <ul style="list-style-type: none"> • N'ouvrez pas la porte pendant le processus Smart Dry (Séchage intelligent) car la température interne devient très élevée pendant le processus. • Ne touchez pas le réservoir à l'intérieur du lave-vaisselle ou la sortie d'air chaud juste après avoir utilisé l'option Smart Dry (Séchage intelligent) car ils risquent d'être encore chauds. • N'obstruez pas la sortie d'air chaud. Si vous obstruez la sortie d'air, la circulation de l'air chaud ne pourra pas se faire correctement pendant le processus Smart Dry (Séchage intelligent). • Essayez de charger les éléments sensibles à la chaleur aussi loin que possible de la sortie d'air chaud. • Pour des résultats de séchage optimaux, laissez l'option Dose par rinçage activée pendant l'utilisation de l'option Smart Dry (Séchage intelligent). <p>📖 REMARQUE</p> <p>Il est recommandé de régler l'option Séchage intelligent sur le niveau Faible pour une utilisation régulière, afin de laver complètement une pleine charge de vaisselle normalement sale.</p>
<p>08 Settings (Paramètres)</p>	<ul style="list-style-type: none"> • Appuyez sur ce bouton pour accéder au menu des paramètres. <ul style="list-style-type: none"> - Reportez-vous à la section Menu des paramètres pour obtenir des détails. - Vous pouvez modifier les divers paramètres disponibles.
<p>09 Smart Control</p>	<ul style="list-style-type: none"> • Vous pouvez activer ou désactiver la fonction Smart Control. <ul style="list-style-type: none"> - Si vous activez la fonction Smart Control, vous pourrez accéder au lave-vaisselle à distance.

Opérations


Présentation des programmes

Lavage avec IA	<ul style="list-style-type: none">Ce programme détecte automatiquement le niveau de salissure de vos articles et ajuste le processus de lavage en conséquence. En outre, l'IA optimise le nombre de rinçages effectués pendant le programme, afin de garantir des résultats de lavage optimaux. Il se peut que le temps de lavage augmente si l'IA ajuste des options telles que le nombre de rinçages effectués pendant l'utilisation. <p>REMARQUE</p> <p>Le nombre de processus de rinçage est uniquement disponible lorsque le lave-vaisselle est connecté au réseau Wi-Fi.</p>
Normal	<ul style="list-style-type: none">Il s'agit d'un programme standard pour les éléments normalement sales.- L'étiquette de consommation d'énergie est basée sur ce programme.
Très sale	<ul style="list-style-type: none">Ce programme est destiné au lavage des éléments très sales.
Délicat	<ul style="list-style-type: none">Sélectionnez ce programme pour les éléments fragiles et légèrement sales, comme les verres.- L'élément doit être lavable au lave-vaisselle.
Express 60 min	<ul style="list-style-type: none">Ce programme est destiné au lavage rapide des éléments, en une heure environ.
Autonettoyage	<ul style="list-style-type: none">Ce programme est destiné au nettoyage de l'intérieur du lave-vaisselle.N'utilisez pas ce programme avec des éléments chargés dans les paniers. Videz le lave-vaisselle avant d'exécuter ce programme. <p>REMARQUE</p> <p>Utilisez ce programme pour nettoyer l'intérieur du lave-vaisselle après 20 utilisations de ce dernier, ou une fois par mois.</p>
Jet de pré-lavage	<ul style="list-style-type: none">Ce programme est destiné à déloger grossièrement et rapidement les gros résidus alimentaires, afin d'éviter l'encrassement de l'appareil. <p>REMARQUE</p> <p>Aucun produit de lavage ou de rinçage n'est utilisé avec ce programme.</p>
Casserolles/Poêles	<ul style="list-style-type: none">Idéal pour laver des ustensiles de cuisine comme des casseroles et poêles très sales.
Plastique	<ul style="list-style-type: none">Adapté pour le lavage de la vaisselle en plastique sensible à la chaleur et à la température.
Soins bébé	<ul style="list-style-type: none">Utilisez ce programme pour rincer la vaisselle avec de l'eau très chaude avant le séchage.Aucun produit de lavage n'est utilisé avec ce programme.

Exécution d'un programme

1. Ouvrez la porte et chargez le lave-vaisselle. Assurez-vous de retirer les résidus alimentaires et débris présents sur la vaisselle.
 - Ne chargez pas le lave-vaisselle si vous comptez utiliser le programme Autonettoyage.
2. Ajoutez du produit de lavage dans le compartiment de produit de lavage. Pour obtenir de meilleurs résultats, ajoutez du produit de rinçage dans le compartiment de produit de rinçage.
3. Appuyez sur **Power (Marche/Arrêt)**  pour allumer le lave-vaisselle.
4. Appuyez sur les boutons < ou > pour sélectionner le programme souhaité.
5. Sélectionnez les fonctions supplémentaires souhaitées.
 - Appuyez sur **Storm Wash+ (Lavage intensif+)**, **Sanitize (Stériliser)** ou **Smart Dry (Séchage intelligent)** pour activer ou désactiver la fonction correspondante.
 - Certaines fonctions peuvent ne pas être disponibles en fonction du programme sélectionné.
6. Appuyez sur **Start (Départ)** , puis fermez la porte.
 - Le lave-vaisselle démarre le programme après une vidange de quelques secondes.

REMARQUE

- Pour annuler le programme, laissez votre doigt appuyé sur **Start (Départ)**  pendant 3 secondes.
- Si vous avez ouvert la porte pour arrêter le lave-vaisselle pendant un programme et que vous souhaitez reprendre le programme, fermez simplement la porte.




Opérations


Paramètres

Vous pouvez modifier vos paramètres selon vos préférences en appliquant les instructions suivantes.

1. Appuyez sur **Settings (Paramètres)**.
2. Appuyez sur < ou > pour parcourir le menu des paramètres.
3. Appuyez sur **Start (Départ)** ▷ pour sélectionner. Reportez-vous à la section **Menu des paramètres** pour obtenir des instructions détaillées concernant la modification de chaque paramètre.


Menu des paramètres

Paramètre	Description / Instruction de réglage
Départ différé	<p>Vous pouvez démarrer le lave-vaisselle à l'heure de votre choix. Sélectionnez une heure entre 1 et 24 heures pour différer le démarrage du lave-vaisselle.</p> <ol style="list-style-type: none">1. Appuyez sur < ou > pour sélectionner l'heure souhaitée.2. Appuyez sur Start (Départ) ▷ pour enregistrer.<ul style="list-style-type: none">- Vous pouvez appuyer sur Settings (Paramètres) pour annuler le réglage effectué. <p> REMARQUE</p> <p>Vous devez sélectionner le programme de lavage souhaité avant de régler la fonction Départ différé.</p>
Dose par rinçage	<p>Vous pouvez régler la quantité souhaitée de produit de rinçage à appliquer pendant chaque programme.</p> <ol style="list-style-type: none">1. Appuyez sur < ou > pour sélectionner la quantité souhaitée.2. Appuyez sur Start (Départ) ▷ pour enregistrer.<ul style="list-style-type: none">- Le réglage effectué est automatiquement annulé si vous n'appuyez pas sur Start (Départ) ▷ dans les secondes qui suivent. <p> REMARQUE</p> <p>Pour désactiver la notification d'ajout de produit de rinçage, désactivez cette fonction.</p>
Séchage par ouverture automatique	<p>Vous pouvez régler le lave-vaisselle de manière à ouvrir automatiquement la porte à la fin du programme de lavage, afin d'améliorer les résultats de séchage.</p> <ol style="list-style-type: none">1. Appuyez sur < ou sur > pour sélectionner Activer ou Désactiver.2. Appuyez sur Start (Départ) ▷ pour enregistrer.<ul style="list-style-type: none">- Le réglage effectué est automatiquement annulé si vous n'appuyez pas sur Start (Départ) ▷ dans les secondes qui suivent. <p> REMARQUE</p> <ul style="list-style-type: none">• Si vous activez cette fonction, la porte s'ouvre automatiquement à la fin du programme de lavage. Lorsque la fonction Séchage par ouverture automatique s'active à la fin d'un programme, ne bloquez pas ou ne fermez pas la porte.• Activez cette fonction pour obtenir de meilleurs résultats de séchage.

Paramètre	Description / Instruction de réglage
Mes programmes	<p>Vous pouvez sélectionner d'afficher ou de masquer certains des programmes de la liste.</p> <ol style="list-style-type: none"> Appuyez sur < ou > pour vous déplacer vers le haut ou le bas de la liste des programmes. Appuyez sur Start (Départ) ▷ pour afficher ou masquer le programme sélectionné. <ul style="list-style-type: none"> Les programmes cochés seront affichés et ceux décochés seront masqués dans la liste des programmes. Il n'est pas possible de masquer le programme Normal dans la liste. Appuyez sur Settings (Paramètres) pour enregistrer.
Modèle d'IA	<p>Accédez commodément aux programmes que vous utilisez fréquemment. Vous pouvez paramétrer le lave-vaisselle de sorte qu'il mémorise les programmes et paramètres fréquemment utilisés, et les affiche par ordre de fréquence d'utilisation.</p> <ol style="list-style-type: none"> Appuyez sur < ou sur > pour sélectionner Activer ou Désactiver. Appuyez sur Start (Départ) ▷ pour enregistrer. <ul style="list-style-type: none"> Le réglage effectué est automatiquement annulé si vous n'appuyez pas sur Start (Départ) ▷ dans les secondes qui suivent.
Verrouillage	<p>Pour éviter que des enfants ne jouent avec le lave-vaisselle, activez cette fonction pour verrouiller tous les boutons, sauf Power (Marche/Arrêt) ⏻ et Settings (Paramètres).</p> <ul style="list-style-type: none"> Appuyez sur Start (Départ) ▷ pour activer la fonction Verrouillage. <ul style="list-style-type: none"> Pour désactiver la fonction Verrouillage, laissez votre doigt appuyé sur Settings (Paramètres) pendant 3 secondes. <p> REMARQUE</p> <p>Si vous éteignez le lave-vaisselle, cette fonction n'est pas désactivée pour autant. Vous devez laisser votre doigt appuyé sur Settings (Paramètres) pendant 3 secondes pour désactiver manuellement la fonction.</p>

Opérations

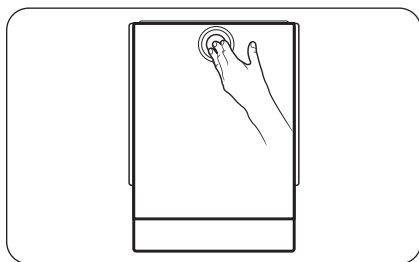
Paramètre	Description / Instruction de réglage	
Paramètres système	<p>Vous pouvez modifier les divers paramètres système disponibles.</p> <ol style="list-style-type: none">1. Appuyez sur < ou sur > pour parcourir le menu Paramètres système.2. Appuyez sur Start (Départ) ▷ pour sélectionner.3. Modifiez le réglage effectué en fonction du paramètre que vous avez sélectionné.<ul style="list-style-type: none">- Reportez-vous aux instructions suivantes pour connaître les paramètres spécifiques.	
	<p>Ouverture automatique du hublot</p>	<p>Vous pouvez sélectionner le niveau de sensibilité requis pour ouvrir la porte lors de l'utilisation de la fonction Ouverture automatique du hublot.</p> <ol style="list-style-type: none">1. Appuyez sur < ou sur > pour sélectionner Pression légère, Pression modérée ou Pression forte.2. Appuyez sur Start (Départ) ▷ pour enregistrer.
	<p>Volume</p>	<p>Vous pouvez modifier le volume du son.</p> <ol style="list-style-type: none">1. Appuyez sur < ou sur > pour sélectionner Sourdine, Minimum, Normal ou Maximum.2. Appuyez sur Start (Départ) ▷ pour enregistrer.<ul style="list-style-type: none">- Le réglage effectué est automatiquement annulé si vous n'appuyez pas sur Start (Départ) ▷ dans les secondes qui suivent.

Paramètre	Description / Instruction de réglage	
Paramètres système	Microphone	<p>Vous pouvez activer ou désactiver le microphone.</p> <ol style="list-style-type: none"> 1. Appuyez sur < ou sur > pour sélectionner Activer ou Désactiver. 2. Appuyez sur Start (Départ) ▷ pour enregistrer. <ul style="list-style-type: none"> - Le réglage effectué est automatiquement annulé si vous n'appuyez pas sur Start (Départ) ▷ dans les secondes qui suivent. <p> REMARQUE</p> <p>Ce paramètre doit être activé pour pouvoir utiliser la fonction de reconnaissance vocale Bixby. (Reportez-vous à la section Utilisation de la fonction de reconnaissance vocale Bixby pour obtenir plus d'informations concernant la fonction de reconnaissance vocale Bixby.)</p>
	Unité de temp	<p>Vous pouvez modifier l'unité de température.</p> <ol style="list-style-type: none"> 1. Appuyez sur < ou sur > pour sélectionner °F ou °C. 2. Appuyez sur Start (Départ) ▷ pour enregistrer. <ul style="list-style-type: none"> - Le réglage effectué est automatiquement annulé si vous n'appuyez pas sur Start (Départ) ▷ dans les secondes qui suivent.
	Langue	<p>Vous pouvez modifier la langue du système.</p> <ol style="list-style-type: none"> 1. Appuyez sur < ou sur > pour sélectionner la langue souhaitée. 2. Appuyez sur Start (Départ) ▷ pour enregistrer. <ul style="list-style-type: none"> - Le réglage effectué est automatiquement annulé si vous n'appuyez pas sur Start (Départ) ▷ dans les secondes qui suivent.
	Wi-Fi	<p>Vous pouvez activer ou désactiver la connexion Wi-Fi du lave-vaisselle.</p> <ol style="list-style-type: none"> 1. Appuyez sur < ou sur > pour sélectionner Activer ou Désactiver. 2. Appuyez sur Start (Départ) ▷ pour enregistrer. <ul style="list-style-type: none"> - Le réglage effectué est automatiquement annulé si vous n'appuyez pas sur Start (Départ) ▷ dans les secondes qui suivent.
	Réinitialiser	<p>Vous pouvez réinitialiser le lave-vaisselle aux paramètres d'usine.</p> <ol style="list-style-type: none"> 1. Appuyez sur < ou sur > pour sélectionner Réinitialiser ou Annuler. 2. Appuyez sur Start (Départ) ▷ pour confirmer.

Opérations

Fonctions spéciales

Fonction Ouverture automatique du hublot (modèles applicables uniquement)



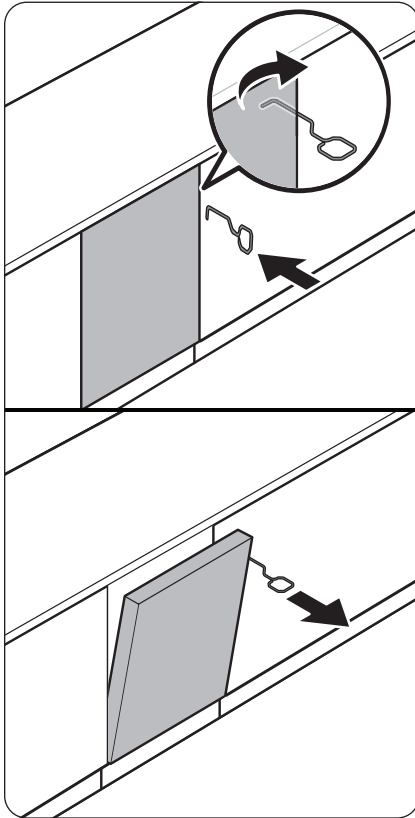
1. Appuyez doucement au centre de la partie supérieure de la porte, puis relâchez. La porte s'ouvrira ensuite automatiquement légèrement.
 - Vous pouvez ajuster le niveau de sensibilité pour cette fonction sous **Settings (Paramètres) > Paramètres système > Ouverture automatique du hublot**.
2. Lorsque la porte s'ouvre légèrement, laissez votre doigt appuyé sur la partie supérieure de la porte et ouvrez-la complètement.
 - La porte ne se ferme pas automatiquement. Après utilisation, refermez la porte manuellement.

REMARQUE

Pour ouvrir la porte au cours d'une cycle, appuyez sur le centre de la partie supérieure et maintenez appuyé pendant environ 1 seconde jusqu'à ce que l'alarme de déverrouillage retentisse.

ATTENTION

- Ne poussez pas la porte ou ne forcez pas l'arrêt de son ouverture lorsque celle-ci est en train de s'ouvrir automatiquement. Cela pourrait entraîner un dysfonctionnement de l'appareil.
- Si la porte résiste à l'ouverture après des ouvertures répétées, attendez environ une minute puis réessayez. (Il se peut qu'il soit difficile d'ouvrir la porte juste après l'avoir fermée. Cela est dû au changement de pression d'air qui se produit à l'intérieur du lave-vaisselle lorsque vous ouvrez et fermez la porte.)
- Vous pouvez activer la fonction Ouverture automatique du hublot à l'aide de Bixby.
 - Faites attention lorsque vous utilisez la fonction via Bixby, car la porte peut s'ouvrir automatiquement mais pas se fermer automatiquement.
 - Nous suggérons d'utiliser Bixby pour l'ouverture de la porte uniquement lorsque vous êtes à proximité de l'appareil.



Si vous ne parvenez pas à utiliser la fonction Ouverture automatique du hublot en raison d'une panne de courant ou pour d'autres raisons, utilisez l'outil d'ouverture de porte fourni pour ouvrir la porte manuellement.

Entretien

Nettoyage

Garder votre lave-vaisselle propre permet d'améliorer ses performances, de limiter les réparations et d'allonger sa durée de vie.

Partie externe

Nettoyez immédiatement les éclaboussures sur la surface du lave-vaisselle. Pour retirer délicatement les taches et la poussière du panneau de commande, utilisez un chiffon doux légèrement humide.

Si vous observez des taches blanches sur le panneau de commande, nettoyez-les avec un produit de lavage contenant de l'acide citrique.

ATTENTION

- N'utilisez jamais de benzène, de cire, de diluant, d'agent de blanchiment chloré, d'alcool ou d'autres produits chimiques. Ces substances risquent de décolorer la surface du lave-vaisselle et de former des taches permanentes.
- La partie interne du lave-vaisselle est dotée de composants électriques. Ne pulvérisez pas d'eau directement sur le lave-vaisselle. Protégez les composants électriques de l'eau.
- Pour le panneau de la porte en acier inoxydable, utilisez du nettoyant adapté spécial acier inoxydable pour appareils ménagers et un chiffon doux et propre.

Partie interne

Nettoyez régulièrement la partie interne du lave-vaisselle afin d'en retirer les saletés et les résidus alimentaires. Essuyez la partie interne du lave-vaisselle et de la porte à l'aide d'un chiffon humide. Pour garantir une propreté optimale constante, il est conseillé de lancer le programme Self Clean (Auto-nettoyage) de temps en temps avec le lave-vaisselle vide.

Pour que le panier à couverts reste propre, retournez-le après utilisation. Pour éliminer les taches ou les odeurs de la grille à couverts, démarrez le programme Self Clean (Auto-nettoyage) avec le lave-vaisselle vide et sans produit de lavage jusqu'à ce que la grille à couverts soit propre. Puis, arrêtez le programme et placez une tasse contenant 8 onces de vinaigre blanc dans le panier inférieur. Fermez la porte puis redémarrez le programme.

Utilisez un chiffon mouillé pour éliminer les dépôts de graisse ou de calcaire à l'intérieur du lave-vaisselle.

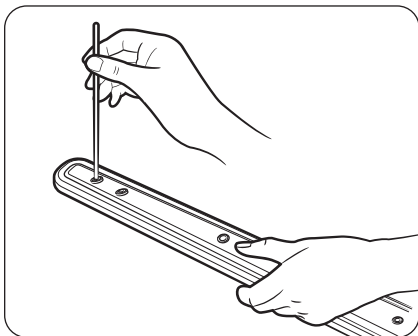
Sinon, ajoutez du produit de lavage et démarrez un programme à vide en utilisant la température de rinçage la plus élevée.

ATTENTION

Ne retirez pas la garniture d'étanchéité (long joint en caoutchouc entourant l'ouverture du lave-vaisselle). Elle assure l'étanchéité de la partie interne du lave-vaisselle.

Bras de lavage

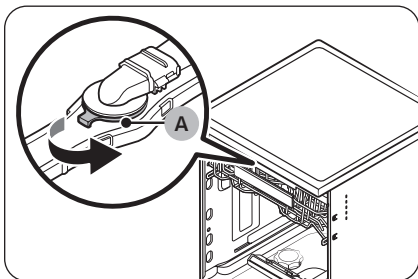
Pour éviter que les bras gicleurs ne s'obstruent ou si ces derniers sont obstrués, retirez et nettoyez chaque bras gicleur. Retirez les bras gicleurs délicatement pour ne pas les casser.



REMARQUE

Si les trous d'eau sur les bras gicleurs sont obstrués, utilisez un outil fin et pointu pour déboucher les trous.

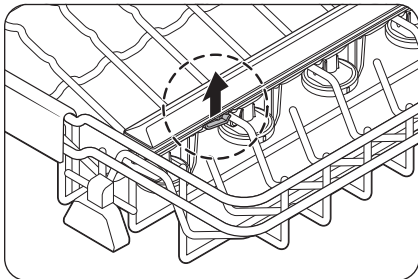
Bras gicleur supérieur



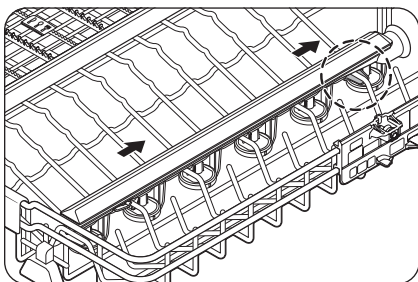
1. Ouvrez la porte.
2. Retirez le panier supérieur.
 - Reportez-vous à la section **Retrait du panier supérieur** pour obtenir des instructions détaillées.
 - Le bras gicleur supérieur est fixé à la paroi intérieure supérieure.
 - Si votre modèle comporte un 3e panier, tirez-le vers l'extérieur pour accéder au bras gicleur supérieur.
3. Attrapez la **poignée (A)**, puis poussez-la vers la droite pour libérer le bras gicleur supérieur.
4. Débouchez et nettoyez le bras gicleur.
5. Réinsérez le bras gicleur, puis poussez la **poignée (A)** vers la gauche pour la serrer.
6. Faites tourner le bras gicleur pour vérifier qu'il est correctement fixé.

Entretien

Gicleur de lavage des tasses

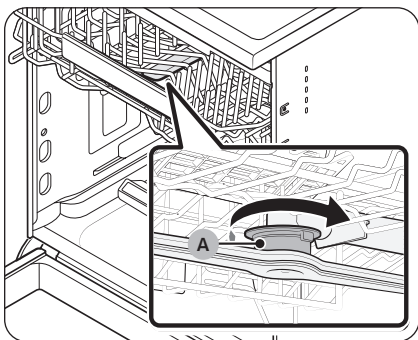


1. Libérez le crochet situé à l'avant du gicleur de lavage des tasses.
2. Faites glisser le gicleur vers l'arrière pour le retirer du 3e panier.



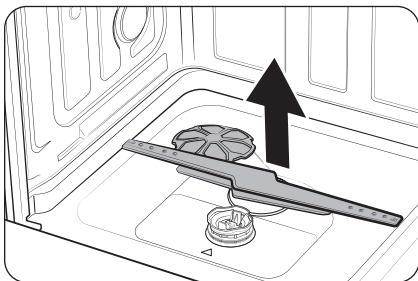
3. Débouchez et nettoyez le gicleur.
4. Installez le gicleur.
 - Fixez le crochet arrière (comme illustré) en l'installant sur le 3e panier, puis refaites glisser le gicleur bien en place jusqu'à entendre un « clic ».

Bras gicleur central



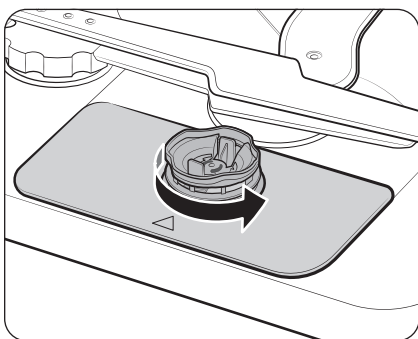
1. Ouvrez la porte et retirez le gicleur supérieur.
 - Le bras gicleur central est fixé en dessous du panier supérieur.
2. Attrapez la **poignée (A)**, puis poussez-la vers la droite pour libérer le bras gicleur central.
3. Débouchez et nettoyez le bras gicleur.
4. Réinsérez le bras gicleur, puis poussez la **poignée (A)** vers la gauche pour la serrer.
5. Faites tourner le bras gicleur pour vérifier qu'il est correctement fixé.

Bras gicleur inférieur

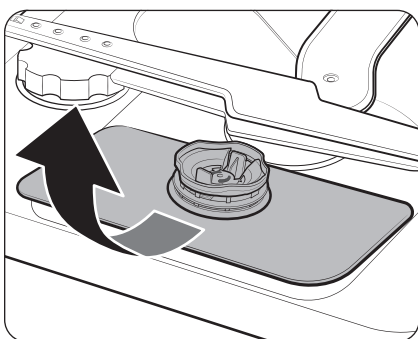


1. Ouvrez la porte.
2. Retirez le panier inférieur.
 - Le bras gicleur inférieur est fixé à la paroi intérieure inférieure.
3. Tirez sur le bras gicleur inférieur pour le retirer.
4. Débouchez et nettoyez le bras gicleur.
5. Réinsérez le bras gicleur.
6. Faites tourner le bras gicleur pour vérifier qu'il est correctement fixé.

Filtres

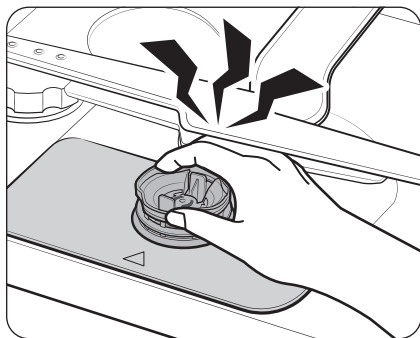


1. Ouvrez la porte et retirez le panier inférieur.
2. Tournez le pré-filtre dans le sens antihoraire pour déverrouiller les filtres assemblés.



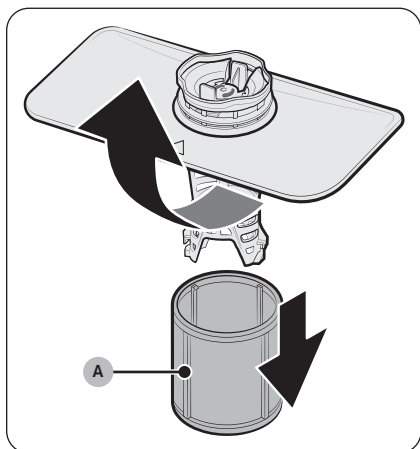
3. Levez les filtres assemblés et retirez-les du fond du lave-vaisselle.

Entretien

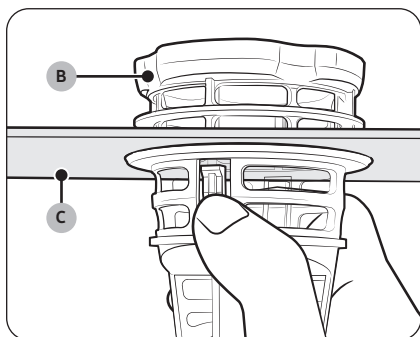


⚠ ATTENTION

Faites attention à votre main lors du retrait des filtres. Votre main pourrait se prendre entre le bras gicleur inférieur et les filtres.

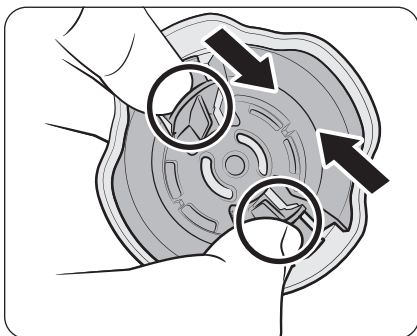


4. Démontez le **microfiltre (A)**.

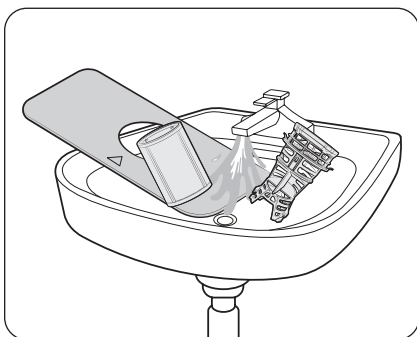


5. Démontez le **pré-filtre (B)** et le **filtre fin (C)**.

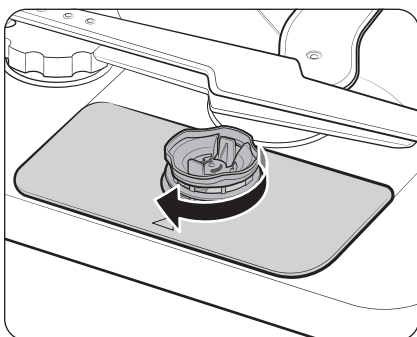
- Pendant que vous appuyez sur les deux languettes de déverrouillage sur le **pré-filtre (B)**, levez ce dernier pour le retirer.



6. Retirez le bouchon du pré-filtre.
 - Pendant que vous appuyez sur les deux languettes de déverrouillage sur le bouchon, levez ce dernier pour le retirer.



7. Nettoyez minutieusement tous les filtres démontés à l'eau courante.
8. Séchez les filtres avant de les remettre dans le lave-vaisselle.

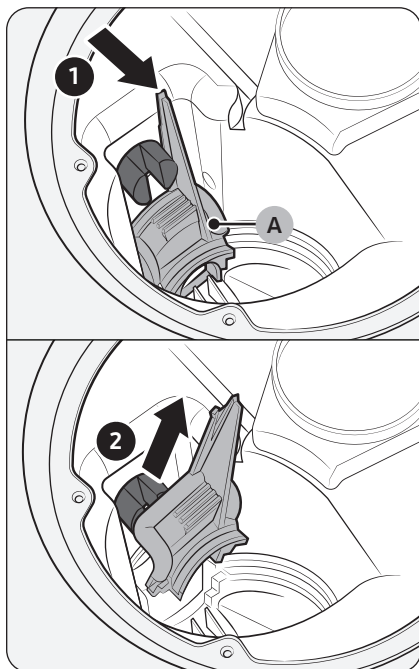


9. Assemblez les filtres et remettez-les dans le lave-vaisselle.
10. Tournez la poignée du filtre dans le sens horaire pour verrouiller les filtres.

Entretien

Pompe de vidange

Si le lave-vaisselle affiche le message **5C** et qu'il ne parvient pas à se vidanger ou s'il émet un bruit anormal provenant de la pompe de vidange, vous devez déboucher et nettoyer la pompe de vidange conformément aux instructions suivantes. (Reportez-vous à la section **Codes d'information** pour obtenir plus d'informations concernant le code affiché sur le panneau de commande.)



A. Cache de la pompe de vidange

1. Retirez le panier inférieur.
2. Reportez-vous à la section **Filtres** pour savoir comment retirer les filtres.
3. Retirez le cache de la pompe de vidange.
 - Poussez la poignée dans le sens de la flèche (1), puis en la tirant vers le haut (2).
4. Vérifiez l'hélice de la pompe, puis nettoyez-la minutieusement.
5. Installez le cache de la pompe de vidange en procédant dans l'ordre inverse de la procédure de retrait.
 - Assurez-vous d'entendre un « clic ».

REMARQUE

Il se peut que le code d'erreur **5C** apparaisse lorsque la pompe de vidange est manquante ou mal assemblée. Assurez-vous que la pompe de vidange a été correctement assemblée.

Entretien sur le long terme

Si vous n'allez pas utiliser le lave-vaisselle pendant une période prolongée, vidangez d'abord l'appareil puis débranchez le tuyau d'eau. Coupez le robinet d'arrivée d'eau et le disjoncteur. L'eau restante contenue dans les tuyaux ou dans les composants internes peut endommager le lave-vaisselle.

Dépannage

Points de contrôle

Si vous rencontrez un problème avec le lave-vaisselle, consultez d'abord le tableau ci-dessous et essayez les solutions proposées. Suite à une réparation de l'appareil par un prestataire de services non agréé, par vos soins ou par un non-professionnel, Samsung ne saurait être tenu pour responsable de tout dommage survenant sur l'appareil, de toutes blessures ou de tout problème de sécurité lié à l'appareil causé par une tentative de réparation de l'appareil sans suivre attentivement les présentes instructions de réparation et d'entretien. Tout dommage survenant sur l'appareil à cause d'une tentative de réparation de l'appareil par une personne autre qu'un prestataire de services certifié par Samsung ne sera pas couvert par la garantie.

Symptôme	Cause possible	Action
Le lave-vaisselle ne se met pas en marche.	La porte n'est pas correctement fermée.	<ul style="list-style-type: none">Assurez-vous que le loquet de la porte est bien enclenché et que la porte est correctement fermée.Assurez-vous que le tube d'alimentation en eau du bras gicleur central est correctement raccordé à la sortie d'eau située sur la paroi intérieure arrière.Assurez-vous que le panier supérieur est correctement inséré.
	Le cordon d'alimentation n'est pas branché.	<ul style="list-style-type: none">Branchez le cordon d'alimentation.
	L'eau ne s'écoule pas.	<ul style="list-style-type: none">Vérifiez que le robinet d'arrivée d'eau est ouvert.
	Le panneau de commande est verrouillé.	<ul style="list-style-type: none">Désactivez la fonction Verrouillage.
Le lave-vaisselle dégage de mauvaises odeurs.	De l'eau est encore présente à cause du programme précédent.	<ul style="list-style-type: none">Avec le lave-vaisselle vide, ajoutez du produit de lavage puis lancez le programme Heavy (Intense).
Toute l'eau n'a pas été évacuée après la fin du dernier programme.	Le tuyau d'évacuation est pincé ou obstrué.	<ul style="list-style-type: none">Dépliez et débouchez le tuyau d'évacuation.

Dépannage

Symptôme	Cause possible	Action
Il reste des résidus alimentaires sur la vaisselle.	Le programme qui a été sélectionné n'était pas correct.	<ul style="list-style-type: none"> Sélectionnez un programme en fonction du degré de salissure de la vaisselle, comme indiqué dans ce manuel.
	Les filtres sont obstrués ou ne sont pas assez serrés.	<ul style="list-style-type: none"> Nettoyez les filtres. Vérifiez que les filtres sont assez serrés.
	Vous n'avez pas assez utilisé de produit de lavage.	<ul style="list-style-type: none"> Utilisez la bonne quantité de produit de lavage pour chaque lavage.
	La pression de l'eau est trop faible.	<ul style="list-style-type: none"> Assurez-vous que la pression est bien comprise entre 20 et 120 psi (entre 140 et 830 kPa).
	Les bras gicleurs sont obstrués.	<ul style="list-style-type: none"> Nettoyez et débouchez les bras gicleurs.
	La vaisselle n'a pas été correctement disposée ou le lave-vaisselle est surchargé.	<ul style="list-style-type: none"> Réorganisez la vaisselle de manière à ce qu'elle n'interfère pas avec les bras gicleurs ou avec le réservoir de produit de lavage.
La vaisselle n'est pas assez sèche.	Le compartiment de produit de rinçage est vide.	<ul style="list-style-type: none"> Remplissez le compartiment de produit de rinçage avec du produit de rinçage.
	La quantité de produit de rinçage utilisée est insuffisante.	<ul style="list-style-type: none"> Modifiez le réglage utilisé pour la fonction Dose per Rinse (Dose par rinçage).
	Vous avez chargé trop de vaisselle.	<ul style="list-style-type: none"> Une surcharge risque de dégrader les performances de séchage. Chargez la vaisselle conformément aux instructions.
	L'eau de verres et de tasses s'est renversée sur d'autres éléments pendant le déchargement.	<ul style="list-style-type: none"> Videz d'abord le panier inférieur, puis le panier supérieur. Vous éviterez ainsi de faire couler l'eau résiduelle du panier supérieur dans le panier inférieur.
	Plusieurs tablettes de produit de lavage ont été utilisées.	<ul style="list-style-type: none"> Ajoutez le processus Smart Dry (Séchage intelligent) avec le niveau MAX sélectionné.
	Un programme avec une température de rinçage basse a été utilisé.	<ul style="list-style-type: none"> Ajoutez le processus Smart Dry (Séchage intelligent) avec le niveau Max (Max) sélectionné. Si votre modèle ne prend pas en charge la fonction Smart Dry (Séchage intelligent), ajoutez l'option Sanitize (Stériliser).

Symptôme	Cause possible	Action
Le lave-vaisselle est trop bruyant.	Le compartiment de produit de lavage est ouvert pour permettre la distribution du produit de lavage.	<ul style="list-style-type: none"> Ceci est tout à fait normal.
	La pompe de vidange est en marche.	<ul style="list-style-type: none"> Ceci est tout à fait normal.
	Le lave-vaisselle n'est pas parfaitement stable.	<ul style="list-style-type: none"> Assurez-vous que le lave-vaisselle a été installé de niveau.
	La vaisselle heurte le bras gicleur, générant un bruit de cognement.	<ul style="list-style-type: none"> Réorganisez la vaisselle.
Une couche de tâches jaunes ou brunes subsiste sur la vaisselle.	Ces traces sont des taches de café ou de thé.	<ul style="list-style-type: none"> Utilisez un programme avec une température d'eau plus élevée.
L'écran ne s'allume pas.	Le cordon d'alimentation n'est pas branché.	<ul style="list-style-type: none"> Vérifiez que l'appareil est bien sous tension.
Les bras gicleurs ne tournent pas de manière fluide.	Les bras gicleurs sont obstrués par des particules d'aliments.	<ul style="list-style-type: none"> Nettoyez les bras gicleurs.
Le lave-vaisselle produit des bulles et il reste trop de mousse à l'avant.	Du produit de lavage classique a été utilisé au lieu de produit de lavage spécial lave-vaisselle.	<ul style="list-style-type: none"> Utilisez toujours du produit de lavage spécial lave-vaisselle. Éteignez le lave-vaisselle et éliminez les bulles.

Codes d'information

- En cas de problème, vérifiez le message d'information sur l'écran LCD et suivez les instructions affichées à l'écran.
- Si un code d'information continue à apparaître sur l'écran, contactez le centre de dépannage de Samsung le plus proche.

Code	Action
1C	<p>Vérification du produit de lavage</p> <ul style="list-style-type: none"> Vérifiez si un produit de lavage classique a été utilisé. Pensez à bien utiliser du produit de lavage spécial lave-vaisselle. S'il subsiste de la mousse après l'utilisation d'un produit de lavage classique, éliminez-la en faisant couler de l'eau et en vidangeant cette dernière jusqu'à ce qu'il ne reste plus de mousse. Si le problème persiste, communiquez avec un centre de dépannage Samsung local.
3C	<p>Contrôle de la pompe de lavage</p> <ul style="list-style-type: none"> Fonctionnement anormal de la pompe de lavage. Si le problème persiste, communiquez avec un centre de dépannage Samsung local.

Dépannage

Code	Action
4C	Contrôle de l'alimentation en eau <ul style="list-style-type: none">• Vérifiez si le robinet d'arrivée d'eau est fermé, si l'arrivée d'eau est bloquée ou si le robinet ou le tuyau d'eau est gelé(e) ou obstrué(e) par des corps étrangers. Si le problème persiste, communiquez avec un centre de dépannage Samsung local.
5C	Contrôle du cache de la pompe de vidange <ul style="list-style-type: none">• Vérifiez si le cache de la pompe de vidange est manquant ou mal installé. Contrôle de la pompe de vidange <ul style="list-style-type: none">• Vérifiez la pompe de vidange et le tuyau d'évacuation. Si l'un d'eux est obstrué, nettoyez-le. Si le problème persiste, communiquez avec un centre de dépannage Samsung local.
HC	Contrôle du chauffage à haute température <ul style="list-style-type: none">• Contrôle fonctionnel. Avec le lave-vaisselle vide, ajoutez du produit de lavage puis lancez un programme. Si le problème persiste, accédez à votre disjoncteur et désactivez l'interrupteur correspondant à votre lave-vaisselle. Communiquez avec un centre de dépannage Samsung.
HC4	Contrôle de la surchauffe de la résistance de séchage <ul style="list-style-type: none">• Éteignez le lave-vaisselle et rallumez-le. Si le problème persiste, communiquez avec un centre de dépannage Samsung local.
LC	Contrôle des fuites <ul style="list-style-type: none">• Coupez le robinet d'arrivée d'eau. Accédez au tableau électrique de votre domicile et désactivez le disjoncteur correspondant au lave-vaisselle. Communiquez avec l'installateur pour qu'il vienne effectuer les réparations nécessaires. Si le problème persiste, communiquez avec un centre de dépannage Samsung local.
PC	Contrôle de la fonction de lavage par zone <ul style="list-style-type: none">• Contrôle fonctionnel. Éteignez le lave-vaisselle et essayez de le redémarrer. Si le problème persiste, communiquez avec un centre de dépannage Samsung local.
9C9	Le module d'alimentation intelligente surchauffe <ul style="list-style-type: none">• Débranchez l'appareil et communiquez avec un centre de dépannage Samsung local.
ACM	Erreur de communication de la mémoire externe sur la carte secondaire (panneau) <ul style="list-style-type: none">• Mettez l'appareil hors tension et communiquez avec un centre de dépannage Samsung local.

Annexe

Tableau des programmes

Programme		Lavage avec IA	Normal	Très sale
Ordre d'affichage des programmes		Prélavage > Lavage principal > Rinçage > Rinçage à chaud > Séchage > Fin	Prélavage > Lavage principal > Rinçage > Rinçage à chaud > Séchage > Fin	Prélavage > Lavage principal > Rinçage > Rinçage à chaud > Séchage > Fin
Température [°F (°C)]	Lavage principal	131 à 149 (55 à 65)	113 à 144 (45 à 62)	149 (65)
	Rinçage à chaud	131 à 149 (55 à 65)	126 à 140 (52 à 60)	145 (63)
Consommation d'eau [gal (ℓ)]		2,5 à 5,0 (9,6 à 18,9)	2,5 à 5,0 (9,4 à 19,0)	5,2 (19,7)
Durée du programme (min)		77 à 125	108 à 119	137
Options disponibles	Sanitize (Stériliser)	0	0	0
	Smart Dry (Séchage intelligent)	0	0	0
	Storm Wash+ (Lavage intensif+)	0	0	0
	Départ différé	0	0	0

Programme		Délicat	Express 60 min	Jet de prélavage
Ordre d'affichage des programmes		Lavage principal > Rinçage > Rinçage à chaud > Séchage > Fin	Lavage principal > Rinçage > Rinçage à chaud > Séchage > Fin	Prélavage > Fin
Température [°F (°C)]	Lavage principal	122 (50)	131 (55)	-
	Rinçage à chaud	131 (55)	131 (55)	-
Consommation d'eau [gal (ℓ)]		3,2 (12,3)	2,9 (11,0)	1,1 (4,0)
Durée du programme (min)		100	60	11
Options disponibles	Sanitize (Stériliser)	X	0	X
	Smart Dry (Séchage intelligent)	0	0	X
	Storm Wash+ (Lavage intensif+)	X	0	X
	Départ différé	0	0	0

Annexe

Programme		Autonettoyage	Casseroles/Poêles
Ordre d'affichage des programmes		Lavage principal > Rinçage > Rinçage à chaud > Séchage > Fin	Prélavage > Lavage principal > Rinçage > Rinçage à chaud > Séchage > Fin
Température [°F (°C)]	Lavage principal	167 (75)	158 (70)
	Rinçage à chaud	149 (65)	149 (65)
Consommation d'eau [gal (ℓ)]		3,2 (12,1)	5,4 (20,4)
Durée du programme (min)		105	146
Options disponibles	Sanitize (Stériliser)	X	0
	Smart Dry (Séchage intelligent)	X	0
	Storm Wash+ (Lavage intensif+)	X	0
	Départ différé	0	0

Programme		Plastique	Soins bébé
Ordre d'affichage des programmes		Lavage principal > Rinçage > Rinçage à chaud > Séchage > Fin	Rinçage à chaud > Séchage > Fin
Température [°F (°C)]	Lavage principal	140 (60)	-
	Rinçage à chaud	140 (60)	163 (73)
Consommation d'eau [gal (ℓ)]		3,4 (12,9)	1,0 (3,9)
Durée du programme (min)		94	89
Options disponibles	Sanitize (Stériliser)	X	X
	Smart Dry (Séchage intelligent)	0	0
	Storm Wash+ (Lavage intensif+)	X	X
	Départ différé	0	0

- Lorsque vous sélectionnez le programme **Automatique** ou **Normal**, le lancement des programmes Prélavage et Rinçage dépend du niveau de salissure sur la vaisselle.
- La consommation d'eau et le temps de lavage varient en fonction des étapes et options que vous ajoutez et de la pression et de la température de l'alimentation en eau.

- La consommation d'eau réelle et la durée réelle du cycle Lavage avec IA peuvent être différentes des valeurs indiquées dans le tableau, selon le niveau de salissure.

Protection de l'environnement

- Votre lave-vaisselle est fabriqué à partir de matériaux recyclables. Si vous décidez de vous en débarrasser, veuillez respecter la réglementation locale relative à l'élimination des déchets. Coupez le cordon d'alimentation de sorte que l'appareil ne puisse pas être connecté à une source d'alimentation.
- Retirez la porte afin d'éviter que des enfants ou de petits animaux ne se fassent piéger à l'intérieur de la machine.
- Ne dépassez pas les quantités de produit de lavage recommandées par le fabricant du produit.

Caractéristiques techniques

MODÈLE	DW90F89P0USR / DW90F89T0U12 / DW90F89T0UMT / DW90F89T0USR	
Type	Lave-vaisselle encastrable	
Marche/Arrêt	120 V/60 Hz, CA uniquement, disjoncteur 15 A	
Capacité de lavage	16 couverts	
Pression de l'eau	20 à 120 psi (140 à 830 kPa)	
Puissance nominale	Moteur de lavage	60 à 100 W
	Résistance chauffe-eau	1200 W
Dimensions (Longueur × Profondeur × Hauteur)	23 ⁷ / ₈ x 25 x 33 ⁷ / ₈ po (606 x 635 x 860 mm)	
Poids (déballé)	DW90F89P0USR: 93,7 lb (42,5 kg) DW90F89T0U12: 94,8 lb (43 kg) DW90F89T0UMT / DW90F89T0USR: 88,18 lb (40 kg)	

Garantie

Garantie (ÉTATS-UNIS)

LAVE-VAISSELLE SAMSUNG

GARANTIE LIMITÉE POUR L'ACHETEUR INITIAL AVEC PREUVE D'ACHAT ET/OU PREUVE DE LIVRAISON

Cet appareil de la marque SAMSUNG, fourni et distribué par SAMSUNG ELECTRONICS AMERICA, INC. (SAMSUNG) et livré neuf, dans son carton d'origine à l'acheteur et consommateur initial, s'accompagne d'une garantie de SAMSUNG contre tout vice de fabrication au niveau des pièces et de la main d'œuvre pendant les périodes suivantes de garantie limitée, commençant à la date de livraison à l'acheteur et consommateur initial :

Un (1) an (pièces et main d'œuvre)

Cinq (5) ans pour la carte de circuit imprimé, les paniers, ainsi que la contre-porte et la cuve en acier inoxydable en cas de fuite (pièces uniquement).

La présente garantie limitée ne s'applique qu'aux appareils achetés et utilisés au sein des États-Unis et ayant été installés, utilisés et entretenus conformément aux instructions jointes ou fournies avec l'appareil. Pour se prévaloir du service de garantie, l'acheteur doit communiquer avec SAMSUNG à l'adresse ou au numéro de téléphone fournis ci-dessous afin d'établir les procédures relatives au diagnostic et à l'intervention nécessaire. Le service de garantie ne peut être assuré que par un centre de dépannage Samsung agréé. La facture datée et originale et/ou la preuve de livraison doivent être présentées sur demande à SAMSUNG ou au centre de dépannage SAMSUNG agréé pour pouvoir bénéficier du service de garantie.

SAMSUNG vous assure un service de réparation à domicile au sein des États-Unis contigus pendant la période de garantie et ce gratuitement, sous réserve de disponibilité des agents agréés du service technique SAMSUNG dans la zone géographique du client. Si l'appareil se trouve dans une zone où la réparation par un dépanneur SAMSUNG agréé n'est pas disponible, il se peut que vous deviez vous acquitter de frais de transport ou apporter l'appareil dans un centre de dépannage SAMSUNG agréé pour faire la réparation.

Pour en bénéficier, vous devez veiller à ce que l'appareil soit dégagé et accessible par l'agent de maintenance.

Pendant la période de garantie applicable, l'appareil sera réparé, remplacé ou remboursé à la valeur de son prix d'achat, à la seule discrétion de SAMSUNG. SAMSUNG peut être amenée à utiliser des pièces neuves ou reconditionnées lors de la réparation de l'appareil, ou à remplacer l'appareil par un appareil neuf ou reconditionné. Les pièces et appareils de rechange sont garantis pendant la partie restante de la garantie initiale de l'appareil ou alors pendant quatre-vingt-dix (90) jours, selon la période qui est la plus longue. Toute pièce ou tout appareil remplacé appartient à SAMSUNG et doit être restitué à SAMSUNG.



La présente garantie limitée couvre les défauts de fabrication au niveau des pièces et de la main-d'œuvre survenant dans le cadre d'un usage domestique normal et non commercial de cet appareil et ne couvre pas les situations suivantes : dommages survenant au cours du transport, de la livraison, de l'installation et d'une utilisation de l'appareil qui serait contraire au but auquel il était destiné ; dommages causés par une modification ou altération non autorisée de l'appareil ; appareils dont le numéro de série initial apposé en usine a été effacé, déformé, modifié d'une quelconque façon ou est devenu illisible ; dommages de nature esthétique notamment les rayures, piqûres, éclats et autres dommages sur la finition de l'appareil ; dommages causés par un abus, un usage inapproprié, des infestations d'insectes, un accident, un incendie, des inondations, ou d'autres catastrophes naturelles ; dommages causés par l'utilisation de matériel, utilitaires, services, pièces, fournitures, accessoires, applications, installations, réparations, câblage externe ou connecteurs non fournis ou non autorisés par SAMSUNG ; dommages causés par un courant de phase ou une tension électrique incorrect(e), des fluctuations et des surtensions ; dommages causés par le non-respect des instructions d'utilisation et d'entretien de l'appareil ; instructions à domicile visant à expliquer la bonne utilisation de votre appareil ; et interventions visant à corriger une installation non conforme aux normes d'électricité ou de plomberie, ou à corriger les raccordements électriques ou de plomberie du domicile (à savoir le câblage du domicile, les fusibles ou les tuyaux d'arrivée d'eau).

Le coût des réparations ou du remplacement dans de telles circonstances exclues sera à la charge au client.

Les interventions effectuées par un agent d'entretien agréé dans le but d'expliquer les fonctions de l'appareil ou les procédures de maintenance ou d'installation ne sont pas couvertes par la présente garantie limitée. Veuillez communiquer avec SAMSUNG en composant le numéro indiqué ci-dessous pour obtenir de l'aide si vous rencontrez l'un de ces problèmes.

EXCLUSION DE GARANTIES IMPLICITES

LES GARANTIES IMPLICITES, Y COMPRIS LES GARANTIES IMPLICITES DE QUALITÉ MARCHANDE OU D'APTITUDE À UN USAGE PARTICULIER, SONT LIMITÉES À UN AN OU À LA PLUS COURTE PÉRIODE AUTORISÉE PAR LA LOI. Certains États et certaines juridictions n'autorisent pas de limitations quant à la durée des garanties implicites ; il se peut par conséquent que les limitations et exclusions énoncées ci-dessus ne s'appliquent pas à votre cas. La présente garantie vous confère des droits spécifiques ; il est donc possible que vous bénéficiiez d'autres droits qui varient d'une juridiction à une autre.



Garantie

LIMITATION DE RECOURS

VOTRE SEUL ET EXCLUSIF RECOURS EST LA RÉPARATION DE L'APPAREIL, LE REMPLACEMENT DE L'APPAREIL, OU LE REMBOURSEMENT DE SON PRIX D'ACHAT À LA SEULE DISCRÉTION DE SAMSUNG, COMME PROPOSÉ DANS LA PRÉSENTE GARANTIE LIMITÉE. SAMSUNG NE SAURA ÊTRE TENU RESPONSABLE EN CAS DE DOMMAGES ACCESSOIRES, INDIRECTS OU SPÉCIAUX, NOTAMMENT MAIS SANS POUR AUTANT S'Y LIMITER LE TEMPS PRIS SUR LE TRAVAIL, LES FRAIS D'HÔTELS ET/OU REPAS EN RESTAURANT, LES DÉPENSES DE RÉNOVATION, LA PERTE DE BÉNÉFICES, DE REVENUS OU DE FONDS COMMERCIAL OU L'IMPOSSIBILITÉ DE RÉALISER LES ÉCONOMIES ESCOMPTÉES, QUELLE QUE SOIT LA BASE JURIDIQUE INVOQUÉE POUR JUSTIFIER L'ASSERTION, ET MÊME SI SAMSUNG A ÉTÉ AVISÉ DE LA POSSIBILITÉ DE TELS DOMMAGES. Certains États et certaines juridictions n'autorisent pas l'exclusion ou les limitations pour dommages accessoires ou indirects. Il est donc possible que les limitations ou exclusions ci-dessus ne s'appliquent pas à votre cas. La présente garantie vous confère des droits spécifiques ; il est donc possible que vous bénéficiiez d'autres droits qui varieront d'une juridiction à une autre.

SAMSUNG ne garantit pas un fonctionnement continu ou sans erreur de cet appareil. Samsung ne sera tenue d'honorer aucune garantie faite par toute autre personne, firme ou société en lien avec cet appareil.

Pour bénéficier d'un service d'assistance couvert par votre garantie, communiquez avec SAMSUNG à l'adresse suivante :

Aux États-Unis

Samsung Electronics America, Inc.

85 Challenger Road

Ridgefield Park, NJ 07660

1-800-SAMSUNG (726-7864)

www.samsung.com/us/support

Garantie (CANADA)

LAVE-VAISSELLE SAMSUNG

GARANTIE LIMITÉE À L'ACHETEUR INITIAL

Cet appareil de la marque SAMSUNG, fourni et distribué par SAMSUNG ELECTRONICS CANADA, INC. (SAMSUNG) et livré neuf, s'accompagne d'une garantie de SAMSUNG contre tout vice de fabrication au niveau des pièces et de la main d'œuvre pendant une période limitée de :

Un (1) an (pièces et main d'œuvre)

Cinq (5) ans pour la carte de circuit imprimé, les paniers, ainsi que la contre-porte et la cuve en acier inoxydable en cas de fuite (pièces uniquement).

La présente garantie limitée s'applique à compter de la date d'acquisition originale et couvre uniquement les appareils achetés et utilisés au Canada. Pour se prévaloir du service de garantie, l'acheteur doit communiquer avec SAMSUNG afin d'établir les procédures relatives au diagnostic et à l'intervention nécessaire. Le service de garantie ne peut être assuré que par un centre de dépannage Samsung agréé. La facture datée et originale doit être présentée sur demande comme preuve d'achat à SAMSUNG ou au centre de dépannage SAMSUNG agréé. SAMSUNG fournit un service de réparation gratuit à domicile pendant la période de garantie, en fonction de la disponibilité à l'intérieur des États contigus du Canada.

Le service de réparation à domicile n'est pas disponible partout. Pour en bénéficier, vous devez veiller à ce que l'appareil soit dégagé et accessible par l'agent de maintenance.

SAMSUNG s'engage à réparer, remplacer ou rembourser ce produit à sa discrétion et gratuitement comme stipulé dans les présentes conditions, avec des pièces ou produits neufs ou reconditionnés, si un défaut est constaté pendant la période de garantie limitée spécifiée ci-dessus. Toute pièce ou tout produit remplacé devient la propriété de SAMSUNG et doit lui être restitué. Les pièces et appareils de rechange sont protégés pour le reste de la période de garantie initiale ou pour quatre-vingt-dix (90) jours, selon l'éventualité la plus éloignée.

La présente garantie limitée couvre les défauts de fabrication au niveau des pièces et de la main-d'œuvre survenant dans le cadre d'un usage normal et non commercial de cet appareil et ne s'applique pas aux situations suivantes : dommages survenant au cours du transport, de la livraison et de l'installation ; applications ou utilisations pour lesquelles cet appareil n'est pas conçu ; modification de l'appareil ou des numéros de série ; dommages de nature esthétique ou sur la finition extérieure ; accident, abus, négligence, incendie, inondation, foudre et autres catastrophes naturelles ; utilisation de produits, matériel, systèmes, utilitaires, services, pièces, fournitures, accessoires, applications, installations, réparations, câblage externe ou connecteurs non fournis ou non autorisés par SAMSUNG et pouvant endommager cet appareil ou entraîner des problèmes d'entretien ; tension secteur incorrecte, fluctuations et surtensions ; réglages faits par le client et non-respect des consignes d'utilisation et d'entretien ou des instructions environnementales décrites et prescrites dans le manuel d'instructions ; déplacement et réinstallation de l'appareil ; problèmes causés par des infestations d'insectes. Cette garantie limitée ne couvre pas les problèmes résultant d'un courant électrique, d'une tension ou d'une alimentation électrique inadéquat(e)s, les ampoules, les fusibles, le câblage, le coût des appels pour obtenir des instructions, ni les erreurs d'installation. SAMSUNG ne garantit pas un fonctionnement continu ou sans erreur de cet appareil.

Garantie

À L'EXCEPTION DE CELLES EXPOSÉES PAR LA PRÉSENTE, IL N'EXISTE AUCUNE AUTRE GARANTIE SUR CET APPAREIL, QU'ELLE SOIT EXPRESSE OU IMPLICITE, ET SAMSUNG REJETTE TOUTE AUTRE GARANTIE Y COMPRIS, MAIS SANS S'Y LIMITER, TOUTE GARANTIE IMPLICITE RELATIVE À LA QUALITÉ MARCHANDE, À L'ABSENCE DE CONTREFAÇON OU À L'ADAPTATION À UN USAGE PARTICULIER. SAMSUNG NE SERA TENU D'HONORER AUCUNE GARANTIE FAITE PAR UNE PERSONNE, UNE FIRME OU UNE SOCIÉTÉ QUELCONQUE EN LIEN AVEC CET APPAREIL. SAMSUNG NE SERA AUCUNEMENT RESPONSABLE DE LA PERTE DE BÉNÉFICES OU DE REVENUS, OU DE L'IMPOSSIBILITÉ DE RÉALISER LES ÉCONOMIES OU BÉNÉFICES ESCOMPTÉS, NI DES AUTRES DOMMAGES ACCESSOIRES, INDIRECTS OU SPÉCIAUX CAUSÉS PAR L'UTILISATION, L'USAGE ABUSIF OU L'INCAPACITÉ À UTILISER CET APPAREIL, QUELLE QUE SOIT LA BASE JURIDIQUE INVOQUÉE POUR JUSTIFIER L'ASSERTION, ET MÊME SI SAMSUNG A ÉTÉ AVISÉE DE LA POSSIBILITÉ DE TELS DOMMAGES.

TOUT TYPE DE COMPENSATION EXIGÉ AUPRÈS DE SAMSUNG NE DEVRA EN AUCUN CAS EXCÉDER LE PRIX D'ACHAT DE L'APPAREIL VENDU PAR SAMSUNG ET À L'ORIGINE DES DOMMAGES ALLÉGUÉS.

SANS LIMITATION AUX DISPOSITIONS PRÉCÉDENTES, L'ACHETEUR ASSUME TOUS LES RISQUES ET TOUTES LES RESPONSABILITÉS EN CAS DE PERTE, DE DOMMAGES OU DE BLESSURES ÉVENTUELLES SUBIS PAR L'ACHETEUR, LES BIENS DE L'ACHETEUR, AUTRUI ET LES BIENS D'AUTRUI SUITE À L'UTILISATION, L'USAGE ABUSIF OU L'INCAPACITÉ À UTILISER CET APPAREIL. LA PRÉSENTE GARANTIE LIMITÉE N'EST VALABLE POUR PERSONNE D'AUTRE QUE L'ACHETEUR INITIAL DE CET APPAREIL, N'EST PAS TRANSFÉRABLE ET ÉNONCE VOTRE RECOURS EXCLUSIF.

Certains États ou provinces n'autorisent pas de limitations quant à la durée d'une garantie implicite ni l'exclusion ou la limitation de dommages accessoires ou indirects ; il se peut par conséquent que les limitations ou exclusions énoncées ci-dessus ne s'appliquent pas à votre cas. Cette garantie vous confère des droits légaux spécifiques ; il est donc possible que vous bénéficiiez d'autres droits qui varieraient d'un État à un autre ou d'une province à une autre.

Pour bénéficier d'un service d'assistance couvert par votre garantie, communiquez avec SAMSUNG à l'adresse suivante :

Au CANADA

Samsung Electronics Canada Inc.

2050 Derry Road West

Mississauga, Ontario L5N 0B9 Canada

1-800-SAMSUNG (726-7864)

www.samsung.com/ca/support (English)

www.samsung.com/ca_fr/support (French)

Mémo

SAMSUNG

UNE QUESTION ? UN COMMENTAIRE ?

PAYS	N° de téléphone	OU CONSULTEZ NOTRE SITE INTERNET
U.S.A	1-800-SAMSUNG (726-7864)	www.samsung.com/us/support
CANADA	1-800-Samsung (726-7864)	www.samsung.com/ca/support (English) www.samsung.com/ca_fr/support (French)

