

Dishwasher

Installation manual

DW90F89*****



Scan this with your smartphone

Scan the QR code* to view our helpful installation videos.

* Requires reader to be installed on your smartphone.

SAMSUNG

Contents

Safety instructions	3
Important safety symbols	3
California Proposition 65 Warning	4
Important safety instructions	4
Before using your dishwasher	5
Preparing the installation	6
Required parts and tools	6
Dimensions	9
Installation requirements	10
Unpacking and inspecting the dishwasher	11
Installation	13
Preparing the cabinet	13
Preparing the dishwasher for installation	15
Connecting the power cable	16
Placing the dishwasher into the cabinet	18
Connecting the drain hose	19
Leveling the dishwasher	21
Securing the dishwasher	23
Attaching the kick plate	25
Mounting the Bespoke panel (applicable models only)	26
Testing the dishwasher	29
Appendix	31
Specifications	31

Safety instructions

Throughout this manual, you will see Warning and Caution notes. The warnings, cautions, and the important safety instructions that follow do not cover all possible conditions and situations that may occur. It is your responsibility to use common sense, caution, and care when installing, maintaining, and operating the dishwasher. Samsung is not liable for damages resulting from improper use.

Important safety symbols

What the icons and signs in this installation guide mean:

 **WARNING**

Hazards or unsafe practices that may result in **severe personal injury or death**.

 **CAUTION**

Hazards or unsafe practices that may result in **personal injury or property damage**.

 **CAUTION**

To reduce the risk of fire, explosion, electric shock, or personal injury when using the dishwasher, follow these basic safety precautions:

 **NOTE**

Indicates that a risk of personal injury or material damage exists.

These warning signs are here to prevent injury to you and others.

Please follow them explicitly.

After reading this section, keep it in a safe place for future reference.

STOP

These installation instructions are intended for use by qualified installers.

If you are having problems installing this dishwasher

U.S.A

Please call: 1-800-SAMSUNG (726-7864)

1-844-SAM-PAYS (726-7297)

for assistance: www.samsung.com/us/support

CANADA

Please call: 1-800-SAMSUNG (726-7864)

for assistance: www.samsung.com/ca/support (English)

www.samsung.com/ca_fr/support (French)

SAVE THESE INSTRUCTIONS

Safety instructions

California Proposition 65 Warning

WARNING

Cancer and Reproductive Harm - www.P65Warnings.ca.gov

Important safety instructions

Read all instructions before using the appliance.

Install and store the dishwasher inside, away from exposure to weather.

CAUTION

- Do not install the dishwasher near electrical components. Keep the dishwasher away from open flames.
- Do not install the dishwasher on a carpet as this is a fire hazard.
- Do not install the dishwasher in a location where the water may freeze (where the temperature falls below 32 °F (0 °C)). Frozen water in the hoses or pipes may damage the dishwasher.
- As with all equipment using electricity, water, and moving parts, potential hazards exist. To safely operate this appliance, become familiar with its operation and exercise care when using it.

The dishwasher must be properly grounded. Never connect it to an ungrounded outlet.

Prior to removal of original dishwasher and the installation of your new unit, make sure to switch off your circuit breaker. Do not connect the dishwasher until you have completed the installation. Connecting the power cable is the last step when installing the dishwasher.

All wiring and grounding must be done in accordance with the electrical code applicable to the region.

GROUNDING INSTRUCTIONS

For a permanently connected appliance:

This appliance must be connected to grounded metal, a permanent wiring system, or an equipment-grounding conductor must be run with the circuit conductors and connected to the equipment-grounding terminal or lead on the appliance.

The dishwasher is very heavy. Do not attempt to move or carry a dishwasher alone. Two or more people are needed to move a dishwasher and avoid potential injuries.

CAUTION

- If the power cable is damaged, it must be replaced by the manufacturer, a service agent or similarly qualified person in order to avoid a hazard.
- Do not touch the power cable with wet hands.
- Do not connect another appliance to the same power outlet as the dishwasher.

SAVE THESE INSTRUCTIONS

Make sure to use a new water supply line. Old lines are susceptible to breakage because they become hardened and may cause property damage due to a water leakage.

The dishwasher must be connected to a hot water supply with a temperature between 120 °F (49 °C) ~ 149 °F (65 °C). This temperature range provides the best washing result and shortest cycle time. Temperature should not exceed 149 °F (65 °C) to prevent damage to dishes.

Ensure that the water supplied to the dishwasher does not freeze. Frozen water can damage the hoses, valves, pump, or other components.

Certified residential dishwashers are not intended for licensed food establishments. (NSF/ANSI Standard 184 for Residential Dishwashers)

For a full list of safety information, please refer to the User Manual.

Before using your dishwasher

WARNING



Tip-Over Hazard

- Do not use the dishwasher until it is correctly installed.
- Do not push down on the dishwasher door when it is open.
- Do not place excessive weight on the dishwasher door when it is open.



Electric Shock Hazard

Failure to follow these instructions can result in death, fire, or electric shock:

- Electrically ground the dishwasher.
- Connect the ground wire to the green ground connector in the junction box.
- Do not use an extension cord.

To reduce the risk of electric shock, fire, or injury to persons, the installer must ensure that the dishwasher is completely enclosed at the time of installation.

SAVE THESE INSTRUCTIONS

Preparing the installation

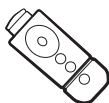
Ensure all necessary preparations are complete before starting the installation process.

Required parts and tools

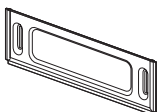
Before beginning the installation, gather all the necessary tools and parts to save time and simplify the process.

Provided parts

The following parts are provided with the dishwasher. Verify that all parts are present when unpacking.



Mounting bracket (2)



Kick plate



Screw (4) – Mounting bracket



Protective sticker



Plastic cap (4)



Black screw (2) – Kick plate



Screw (2) – Bespoke door



Plastic cap (2) – Bespoke door



Door opening tool

Parts to be purchased separately

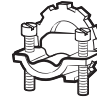
The following parts are not included in the dishwasher and must be purchased separately.



Power cable



Twist-on wire connector (3)



Strain relief



Electrical tape & Standard duct tape



Hot water supply hose



$\frac{3}{4}$ " 90° Fitting



Tube fittings



Air gap



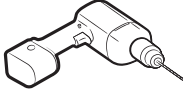
Hose clamp

Recommendations for unprovided parts

Hot water supply hose	<ul style="list-style-type: none"> Outer diameter: $\frac{3}{8}$" minimum Material: Braided stainless-steel or copper with a compression fitting <p>⚠ WARNING Do not use plastic water supply hoses, which can deteriorate and cause leaks.</p>
90° fitting	<ul style="list-style-type: none"> One end with $\frac{3}{4}$" N.P.T. external pipe threads, and the other end must fit your hot water supply hose (copper with compression fittings or a stainless-steel braided hose).
Power cable	<ul style="list-style-type: none"> Jacketed 12-2 cable with ground. <p>📄 NOTE Some local codes may require a BX-style metal jacket for the power cable.</p>

Preparing the installation

Required tools



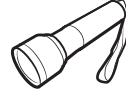
Electric drill



Safety glasses



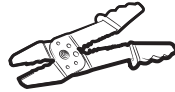
Gloves



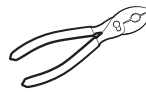
Flashlight



Adjustable wrench



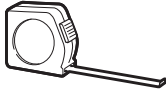
Wire stripper



Pliers



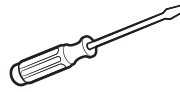
Nipper



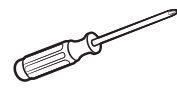
Tape measure



Phillips screwdriver



Flat-head screwdriver



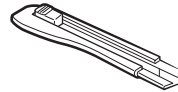
Torx T20



Pencil



Tubing cutter



Cutting knife



Hole saw



Level



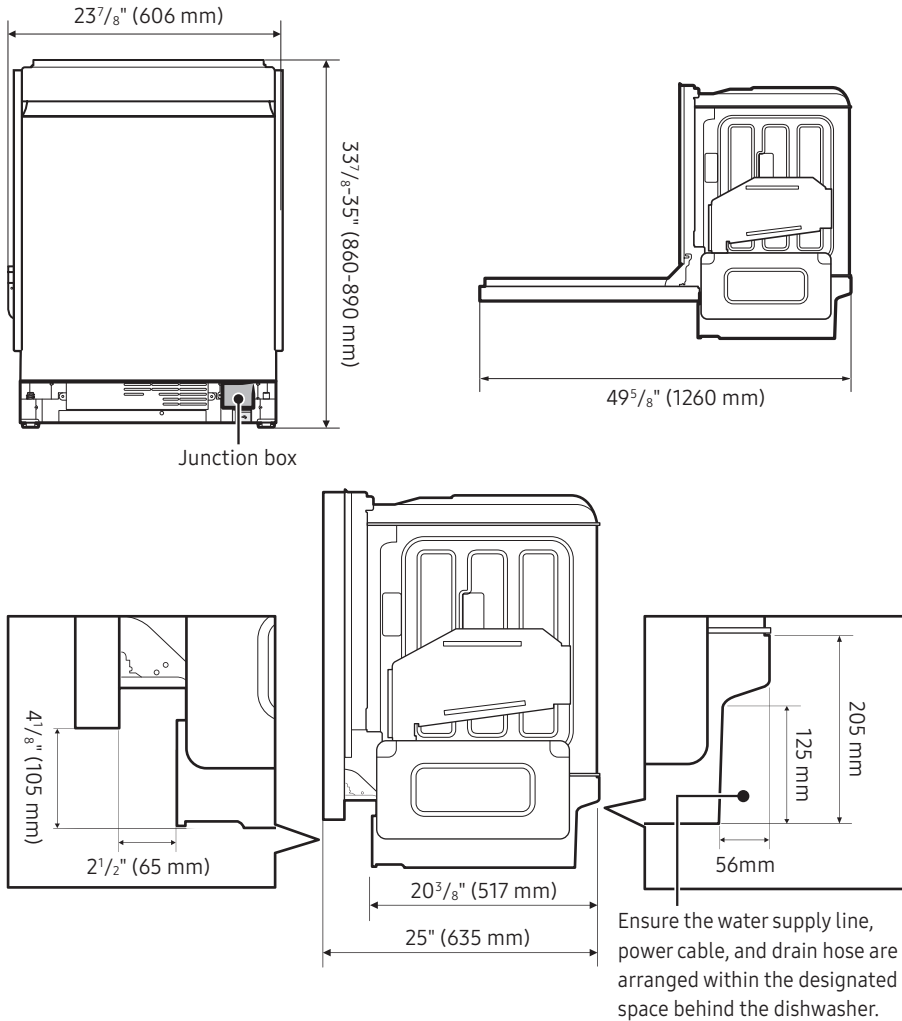
Hex L-wrench



Suction cup

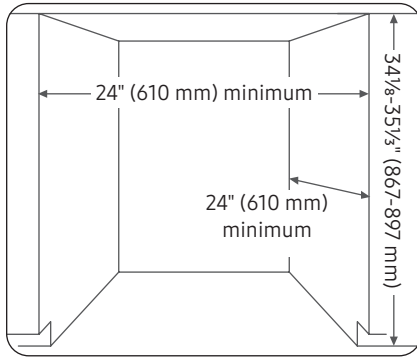
Dimensions

Product



Preparing the installation

Cabinet



Installation requirements

Compatibility check

If you are replacing an old dishwasher, you must check the existing dishwasher connections for compatibility with the new dishwasher. Replace the existing connections if necessary.

Electrical

- **United States:** Install according to the National Electric Code, as well as state, municipal, or local codes.
- **Canada:** Install according to the Canadian Electric Code C22.1 (latest edition), as well as the provincial, municipal, or local codes.
- **For direct cable connections:**
 - Use flexible, armored, or non-metallic sheathed copper wire with a ground that meets the wiring requirements of your local codes and ordinances.

⚠ WARNING

- Do NOT use an extension cord.
- Use only the power cord that comes with the dishwasher.
- Do NOT connect the ground wire to plastic plumbing, gas lines, or hot water pipes.
- Improperly connected grounding conductors may cause electric shock.

Water supply

- **Pressure:** Ensure the hot water supply line pressure is between 20–120 psi (140–830 kPa).
- **Water temperature:** Set the water heater to supply water between 120 °F (49 °C) and 149 °F (65 °C)
 - This range provides the best washing results and shortens cycle time.
 - The water temperature should not exceed 149 °F (65 °C) to avoid damaging the dishes.

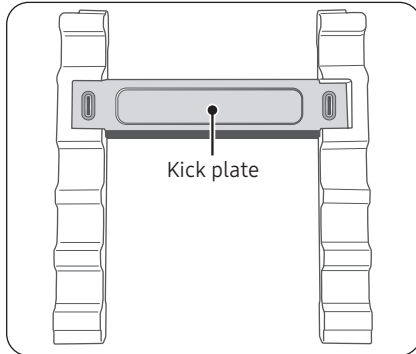
Location

Select a location that meets the following conditions.

- The location must have a solid floor that can support the weight of the dishwasher.
- The location must be near a sink with easy access to the water supply, drain system, and electrical outlet.
 - For proper draining, the dishwasher should be installed within 9.8 feet (3 m) from the sink.
- The location must let you load dishes into the dishwasher easily.
- The location must have sufficient space for the dishwasher door to open easily and provide enough space between the dishwasher and the cabinet sides. (at least 0.1 inch (2 mm)).
 - If the dishwasher is installed in a corner, ensure that the side of the dishwasher is more than 2 inches (50 mm) from the wall or cabinet to its right or left.
- The rear wall must be free of obstructions.
- Make sure the cabinet for the dishwasher is secured to the floor. If the cabinet is not secured, it may increase noise when the dishwasher is operating.

Unpacking and inspecting the dishwasher

Unpack the dishwasher in a clear, open area without obstructions around or above. Keep all packaging materials until installation is complete and the dishwasher is fully operational to ensure all components are removed before disposal.



1. Position the carton upright.
2. Cut the straps securing the packaging.
3. Unpack the product and set aside the straps and packing materials.
4. Locate the kick plate attached to the packaging material and set it aside.
5. Inspect the dishwasher for any damage.
 - Refer to the **Inspection list** section for details.
6. Lift the dishwasher from the base carton tray and place it on the floor.

⚠ CAUTION

- Always lift the dishwasher to move it. Sliding the dishwasher can damage the dishwasher's feet and the surface underneath.
- Do not remove the sound-absorbent padding around the exterior of the dishwasher tub.
- Keep the internal packing in place until the installation is complete to protect internal components.

Preparing the installation

Inspection list

Mechanical	<ul style="list-style-type: none">• Verify that the plastic base assembly is intact.• Verify that the leveling feet are in place and adjustable for leveling dishwasher.• Verify that all visible components on the bottom are intact and secure.• Test the door latch and hinges and ensure the door is properly secured.
Plumbing	<ul style="list-style-type: none">• Inspect the water inlet valve on the back of the dishwasher. (At the bottom right side.) Ensure the water inlet valve is secure, the threads are smooth, and the area is clean.• Inspect the drain hose for holes or deformities that could cause leaks.
Electrical	<ul style="list-style-type: none">• Verify that the cover of the junction box, at the front bottom right corner of the dishwasher, is secure.• Verify that the junction box is not damaged and secured.
Appearance	<ul style="list-style-type: none">• Inspect for any dents or scratches on the front panel.• Inspect the door edges for roughness or cracks.• Verify that the control panel is clear and unscratched.
Parts	<ul style="list-style-type: none">• Verify that all parts listed in the Required parts and tools are present without any damages.

Installation

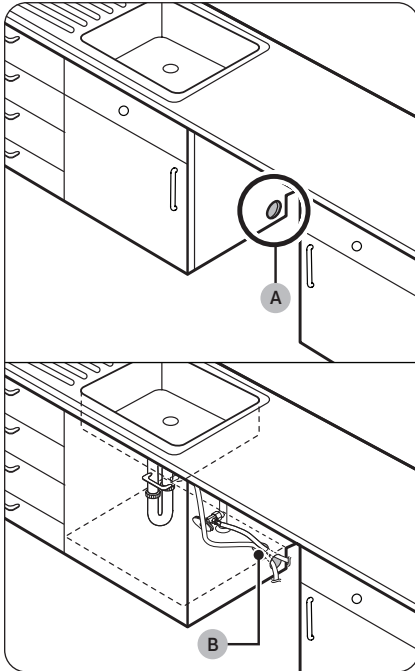
Ensure that you or your installer carefully follow these instructions so the dishwasher functions properly and to prevent any risk of injury during use.

⚠ CAUTION

- Ensure that the circuit breaker and water supply valve are turned off.
- Fully retract the leveling feet before moving the dishwasher to prevent damage.

Preparing the cabinet

If you install the dishwasher in a new location, follow these instructions before installing the dishwasher.



1. Using a 2¹/₂" hole saw, drill a **hole (A)** into the side of the cabinet that holds the sink.

📖 NOTE

You may need to make an extra hole according to the location of the electrical outlet.

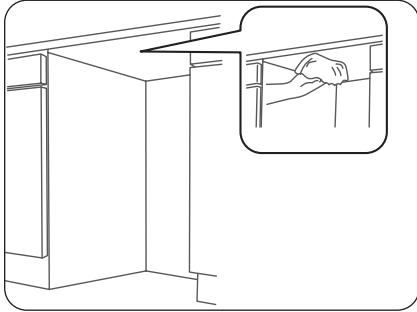
2. If the base inside the sink cabinet is raised above the kitchen floor and is higher than the connections on the dishwasher, make another **hole (B)** in the base inside the cabinet.

⚠ CAUTION

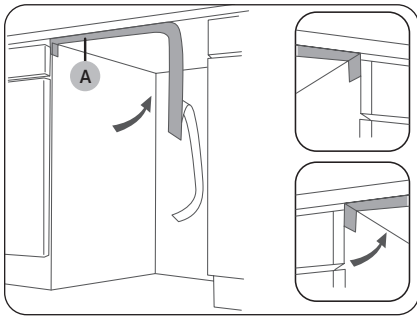
Before inserting the drain hose through the hole, smooth the edges of the hole to prevent damage to the drain hose. Sharp edges may damage the drain hose and cause leaks.

- For metal cabinets, cover the sharp edges with insulation tape or duct tape.

Installation



3. Clean the bottom of the countertop.



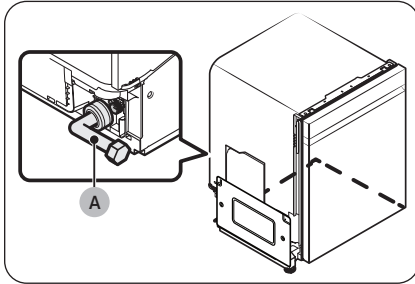
4. Attach the **protective sticker (A)**.

- The protective sticker prevents damage when sliding the dishwasher in and out of the cabinet during installation.
- The length of the protective sticker is 26 inches (660 mm).

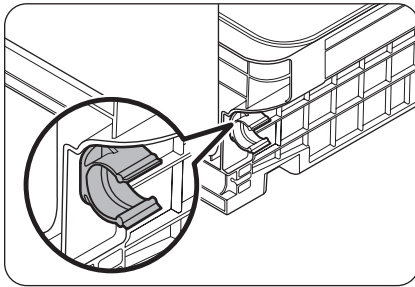
Preparing the dishwasher for installation

⚠ CAUTION

- Ensure that the circuit breaker and water supply valve are turned off.
- Fully retract the leveling feet before moving the dishwasher to prevent damage.



1. Connect the 3/4" **90° fitting (A)** to the water inlet valve.

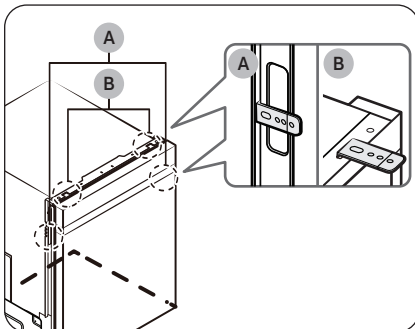


2. Detach the drain hose secured to the back of the dishwasher.
 - Ensure that no kinks or sharp bends might restrict water flow.

📖 NOTE

You can use the drain hose holder to secure the drain hose if it needs to be directed to the right side of the dishwasher.

- The drain hose holder can be detached and repositioned in 3 different locations.
- To reposition, gently squeeze and turn the holder left to release it, pull it out, then insert it into the desired position and turn it right to lock it in place.



3. Attach the two mounting brackets on the top or sides of the dishwasher.
 - **A:** If the countertop is made of a material that cannot be drilled, attach one bracket on each side (left and right).
 - **B:** If the countertop is made of a material that can be drilled, attach the brackets to the top.

Installation

Connecting the power cable

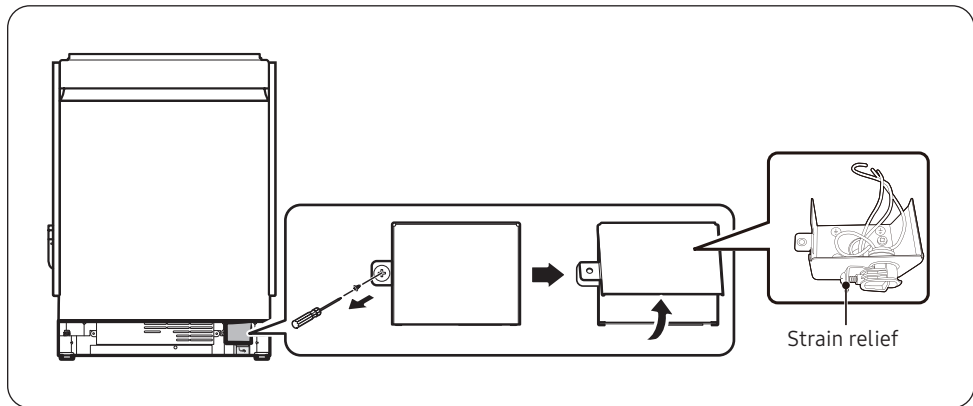
⚠ WARNING

Electrical Shock Hazard

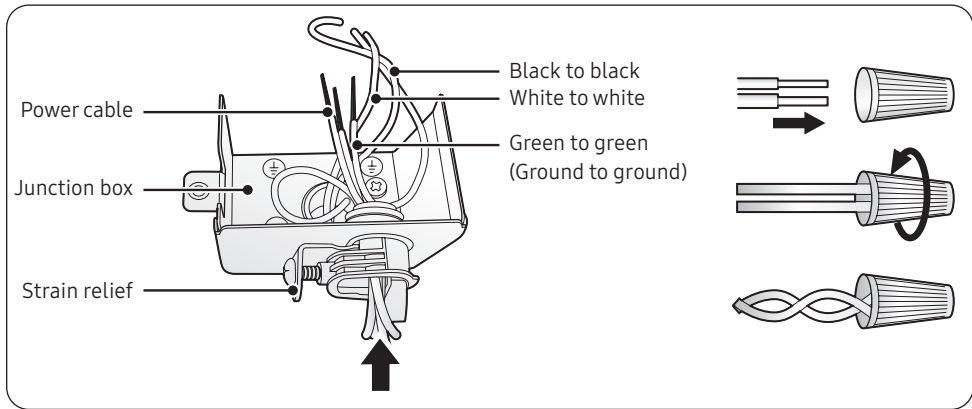
- To avoid electrical shock, do not work on an energized circuit. Doing so could result in serious injury or death. Only qualified electricians should perform electrical work. Do not attempt any work on the dishwasher electric supply circuit until you are certain the circuit is de-energized.

Fire Hazard

- To avoid a fire hazard, make sure electrical work is properly installed.
- Only qualified electricians should perform electrical work.



1. Remove the junction box cover.
 - Unfasten the screw on the left side of the junction box.
 - There are three wires in the junction box, including the grounding line.
2. Install a strain relief.

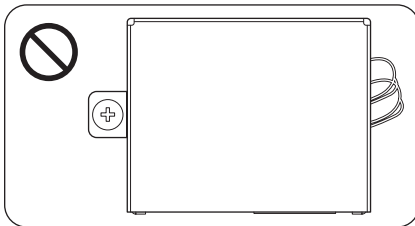


3. Insert the power cable through the strain relief and into the junction box securely.
4. Connect the three wires using twist-on wire connectors.
 - First, match the wires of the same color. Then, insert each wire pair into a twist-on connector and twist clockwise to secure.

NOTE

The twist-on wire should not be twisted counterclockwise.

5. Recheck that each wire is securely connected to its matching color (white to white, black to black, green to green).
6. Arrange all the wires into the junction box, and then fasten the cover.



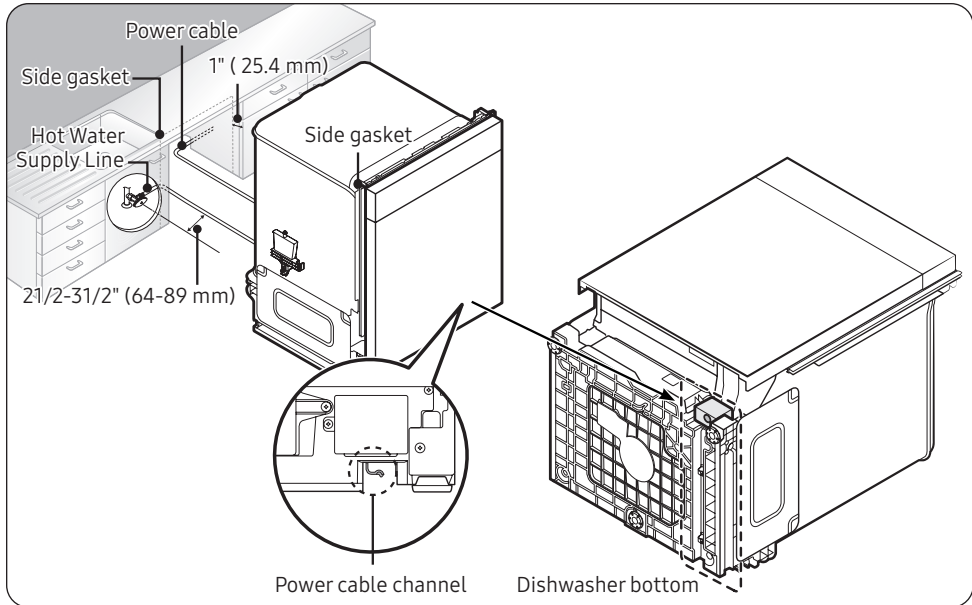
CAUTION

Ensure the wires are not pinched and sticking out of the junction box.

Installation

Placing the dishwasher into the cabinet

1. Place the dishwasher in front of the cabinet.
2. Connect the hot water supply hose to the 90° fitting.

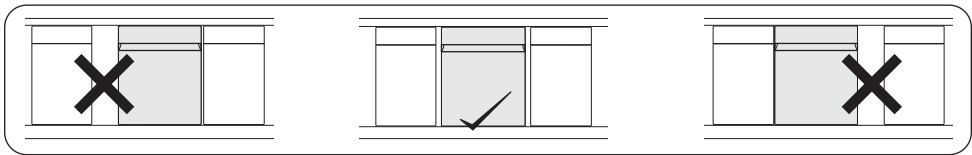


3. Arrange the power cable, connected to the junction box, to the back of the dishwasher.
 - Use the hooks in the power cable channel, at the bottom of the dishwasher, to arrange the power cable.
4. Pull the power plug, water supply hose, and drain hose through the hole you have previously made in the cabinet wall.
5. Slide the dishwasher carefully into the cabinet.
 - To avoid kinking, bending, or pinching the water supply line, drain hose, or power cable, have a second person pull the excess length of each as you slide the dishwasher in.
 - Ensure both side gaskets are inserted seamlessly, $\frac{13}{16}$ to 1 inch inward from the front edge of the kitchen cabinet, as improper placement may increase noise during dishwasher operation.

⚠ CAUTION

Ensure the water supply line, drain hose, or power cable is not kinked, bent, or pinched.

6. Connect the water supply hose to a hot water supply valve under your sink.
 - Wrap Teflon tape around every connection to prevent water leaks.
7. Connect the drain hose to your sink.
 - Refer to the **Connecting the drain hose** section for details.



⚠ CAUTION

After putting the dishwasher inside the cabinet, check the following.

- Ensure the door opens and closes freely with no interruption to the cabinet.
- Ensure the dishwasher is positioned in the center.

Connecting the drain hose

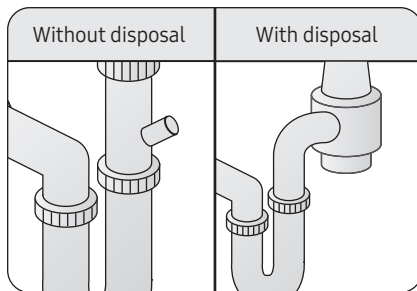
There are various ways to connect the drain hose for draining. Ensure the connection follows your local water pipe installation regulations.

⚠ CAUTION

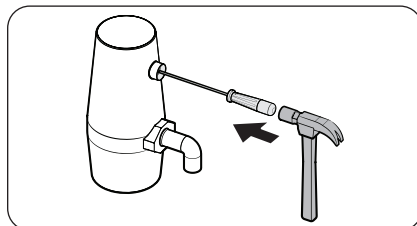
Do not extend the drain hose over 3 m.

📖 NOTE

Before connecting the drain hose to the sink, ensure there is no foreign matter inside the hose.



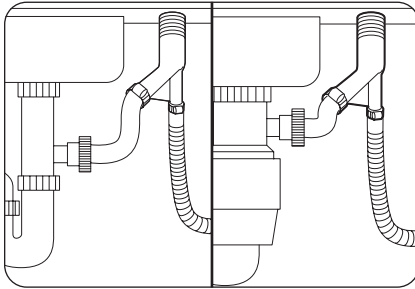
1. Check under your sink to see if you have a garbage disposal.



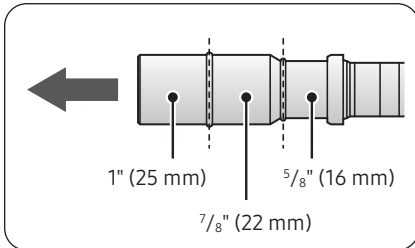
📖 NOTE

Knock out the plug in the garbage disposal connector before connecting the drain hose.

Installation



2. Check if the air gap installation is required.
 - Install the air gap. Then, use a hose to connect the air gap outlet to the sink drain or garbage disposal.
 - If you do not need an air gap installation, loop the drain hose. (Refer to the **Looping the drain hose** section for details.)

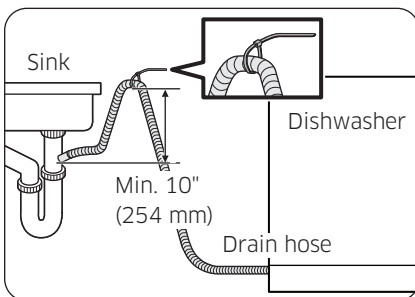


3. Use a hose clamp to connect the drain hose to the air gap inlet, sink drain, or garbage disposal.
 - The drain hose end has three different diameters to fit various sizes, and you can cut off any parts that are not needed.
 - If the drain hose end does not fit the connection point, purchase a suitable adaptor from a plumbing or hardware supply store.

⚠ CAUTION

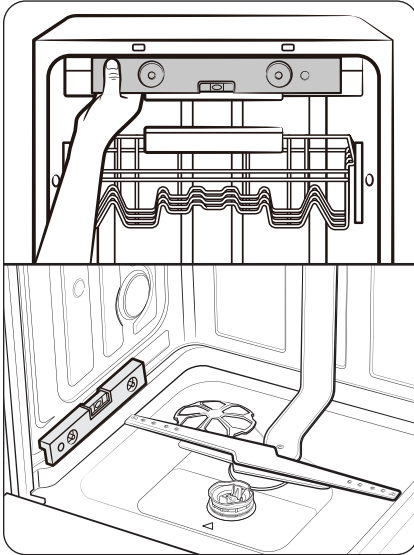
- You must use a hose clamp. Failure to do so may cause water leakage.
- Be careful when cutting off the end of the drain hose as there is a risk of injury.
- Do not cut the ribbed area of the drain hose.

Looping the drain hose

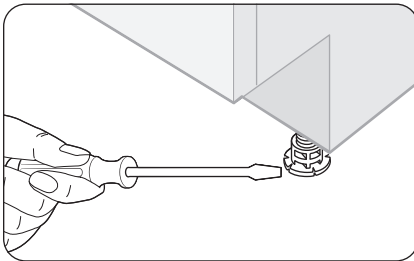


To prevent backflow, secure the drain hose to the side or back wall of the cabinet using cable ties or other fixtures. Make sure the drain hose height is at least 10 inches (254 mm) from the sink connector.

Leveling the dishwasher



1. Use the level to check if the dishwasher is level side to side and front to back.
 - Use the front leveling feet to level the dishwasher side to side.
 - Use the rear leveling foot to level the dishwasher front to back.

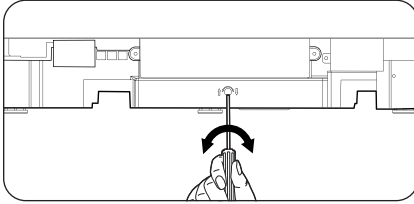


2. Use a flat-head screwdriver to adjust the front height.
 - To lower the height, turn the leveling foot clockwise.
 - To raise the height, turn the leveling foot counterclockwise.

NOTE

You can adjust the leveling feet by a max of $1\frac{1}{8}$ inch. However, leveling up to the max height is not recommended.

Installation



3. To adjust the rear height, insert the Torx T20 screwdriver in the bottom center of the dishwasher.
 - To lower the height, turn the screwdriver clockwise.
 - To raise the height, turn the screwdriver counterclockwise.

NOTE

To prevent leaks from the door, make sure that the front of the dishwasher is not lower than the back.

CAUTION

- If the product is installed unlevelled or without any of the leveling feet, the door may not close completely, causing a leak of steam or water.
- When adjusting the height of the dishwasher, make sure the top gasket is inserted seamlessly underneath the top of the kitchen cabinet. Otherwise, it may increase noise when the dishwasher is operating.

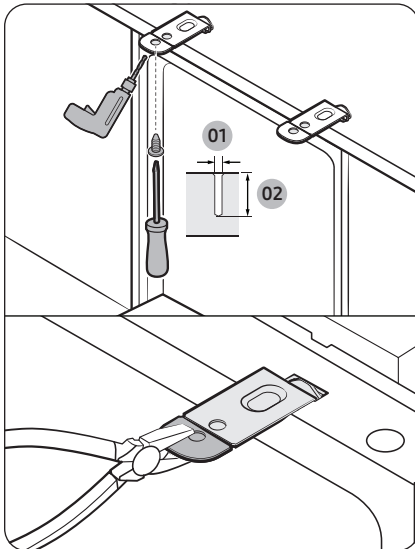
Securing the dishwasher

Secure the dishwasher to the countertop or adjacent cabinet walls for added stability and safety.

⚠ CAUTION

Before securing the dishwasher, put a large towel on the bottom of the dishwasher (covering the sump) to prevent wood shavings or screws from falling into the dishwasher sump.

To the countertop



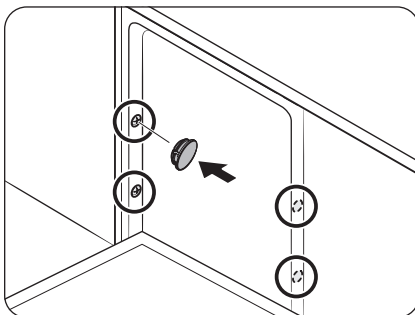
01 2 mm

02 12 mm

1. Carefully drill 2 screw holes into the bottom of the countertop from beneath, one for each mounting bracket.
 - Make sure the hole you drill is smaller than the diameter of the screw.
2. Insert the provided screws into the hole of the brackets, and then tighten them to secure the dishwasher to the countertop.

📖 NOTE

If the provided brackets are too long, cut them down using pliers.



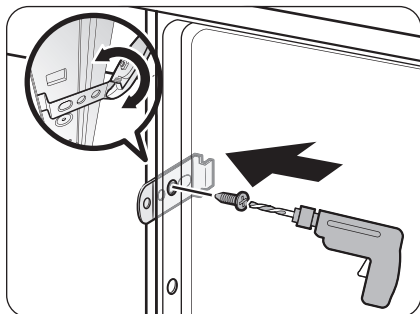
3. Cover the four holes with the provided plastic caps.

⚠ CAUTION

- If the plastic caps are not assembled, water may leak and cause a fire or electric shock.
- After installing the dishwasher inside the cabinet, check if the door opens and closes freely with no interruption with the cabinet.

Installation

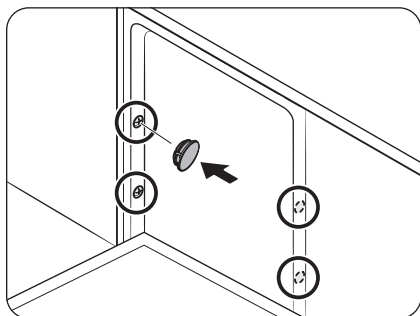
To the sides



1. Drill a hole into both sides of the kitchen cabinet, totaling 2 screw holes.
 - Make sure the hole you drill is smaller than the diameter of the screw.
2. Tighten the provided screws into the holes to secure the dishwasher to the cabinet.

NOTE

If the provided brackets are too long, cut them down using pliers.

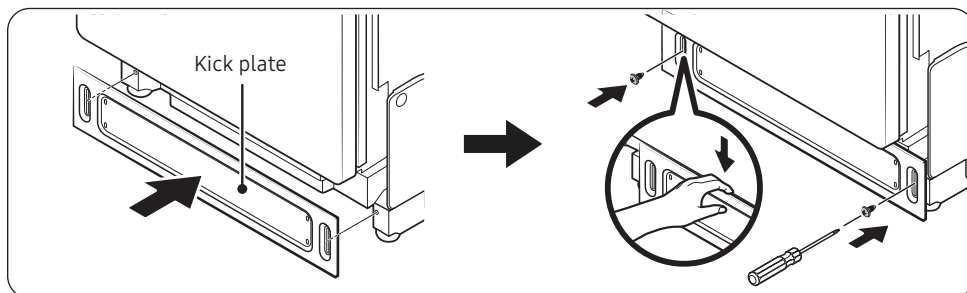


3. Cover the four holes with the provided plastic caps.

CAUTION

- If the plastic caps are not assembled, water may leak and cause a fire or electric shock.
- After installing the dishwasher inside the cabinet, check if the door opens and closes freely with no interruption with the cabinet.

Attaching the kick plate



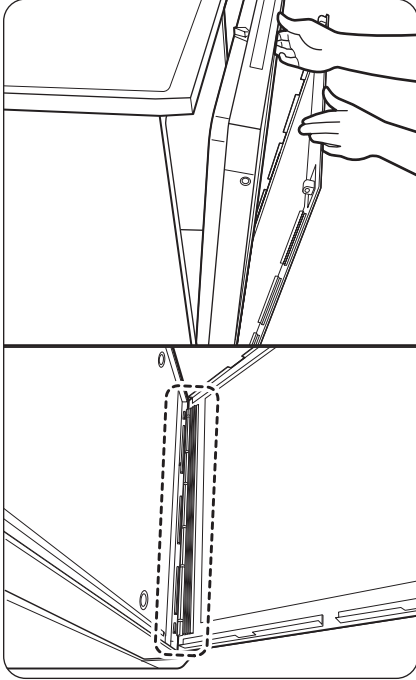
1. Keep the rubber skirt of the door taut.
2. Push the kick plate from the front of the rubber skirt inward, underneath the dishwasher door.
 - Ensure the gaskets of the kick plate are flush with the floor and the side walls.
3. Tighten the screws to secure the kick plate.

CAUTION

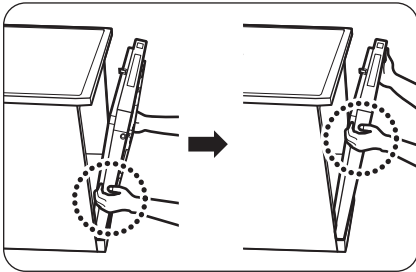
Make sure the kick plate does not interfere with the dishwasher door's operation. Open the door to 90° and ensure it moves freely without noise.

Installation

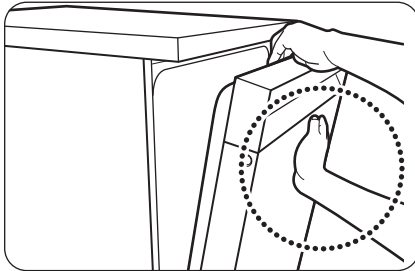
Mounting the Bespoke panel (applicable models only)



1. Open the door and fit the custom panel in the front bottom of the door.



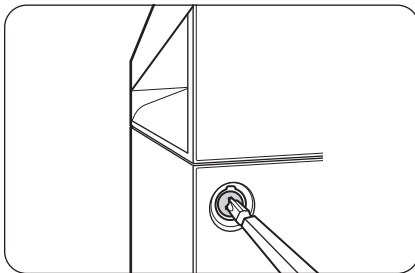
2. While holding the door and the custom panel with both hands, press the panel evenly from bottom to top to lock into the dishwasher.



3. When both sides of the panel lock into place, press the top center of the custom panel to secure it to the top of the door.

 **NOTE**

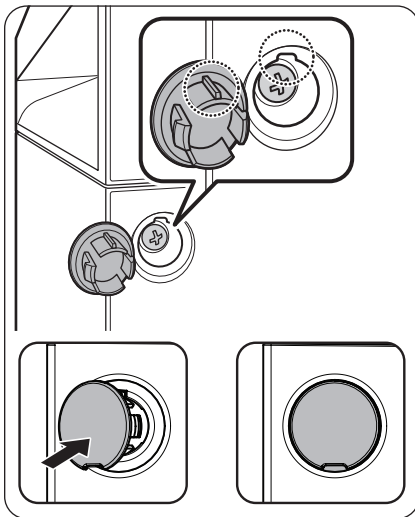
- Make sure that the custom panel fits in the dishwasher properly.
- The panel is properly attached if the gap between the dishwasher and the panel is less than 0.1 inch (2 mm). If the gap is over 0.1 inch (2 mm), reattach the panel.



4. Unpack the provided plastic caps and screws (two for each).
5. Tighten the screws on both sides of the dishwasher.

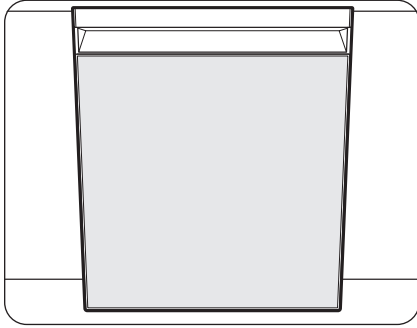
 **NOTE**

When tightening the screw on each side, tighten evenly to prevent the panel from shifting to either side.



6. Insert the caps on both sides.
 - Make sure the rib of the cap fits in the hole of the dishwasher in the right direction.

Installation



7. This is the completion of mounting the custom panel.

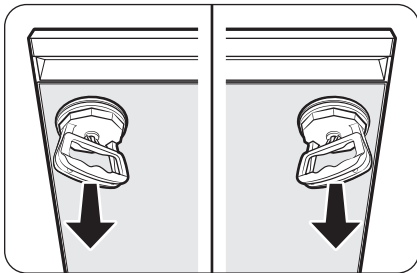
NOTE

After inserting the panel, check it with bare eyes. If the panel is not correctly inserted, or the gaps are not even in all four corners, reinstall the panel. (Refer to the **Reinstalling the custom panel** section for details.)

CAUTION

Use only the genuine Samsung Bespoke panel (available in authorized Samsung retailers). Using a third-party panel is not allowed, and the user is fully responsible for any problems caused by using a third-party panel.

Reinstalling the custom panel



1. Remove the plastic caps and screws on both sides of the door.
2. Attach the suction cup on the top left or right side of the panel.
3. Pull the suction cup to detach the panel from the door.
4. Reinstall the panel as instructed in the previous section.



CAUTION

- Do not attach the suction cup to the center of the panel to remove it, as this may cause damage to the panel.
- Make sure the door is secured and stable before using the suction cups.

Testing the dishwasher

1. Open the door and remove all foam, paper packaging, and unnecessary parts.
2. Turn on the circuit breaker and open the water supply valve.
3. Turn on the dishwasher and run the Smart Install Cycle.
 - a. Tap **Settings**, and select **Delay Start**.
 - b. Tap < and > to set the time to "17".
 - c. Touch and hold the **Start** ▶ until "AS" appears on the display.
 - d. Tap **Start** ▶ and close the door.
 - e. The Smart Install Cycle will start and run for about 7 minutes. Then the dishwasher door will open and flash the number "5" for about 1 minute.
 - f. Once the Smart Install Cycle is completed, "Ot" will appear on the display.

CAUTION

Ensure there is no water leakage at both ends of the water supply line and drain hose connector.

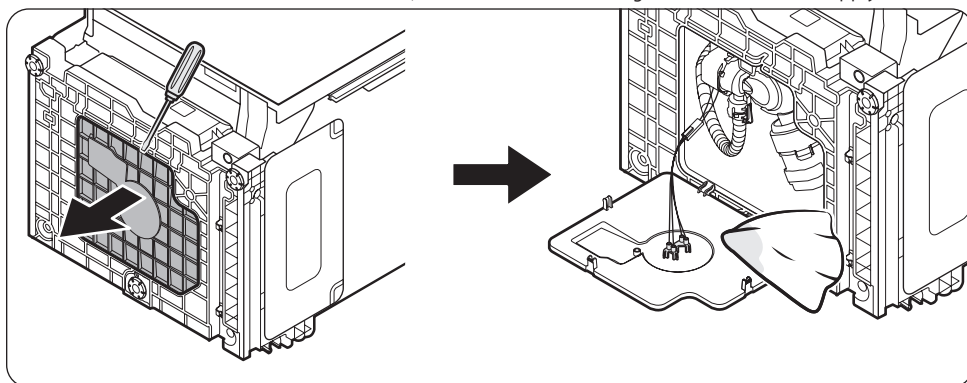
4. If there is no problem, turn off the dishwasher.
 - If you detect a leak, refer to the **Managing the water leakage** section.

Installation

Managing the water leakage

If you see the leakage check code (LC) on the control panel after the test operation, follow these instructions.

1. Touch and hold the **Start** button for more than 3 seconds to start draining.
2. When the draining is complete, unplug the dishwasher and close the water supply valve.
3. Check if the water inlet valve leaks.
 - If the leak is from the water inlet valve, reconnect the 90° fitting with the hot water supply line.



4. After reconnecting the 90° fitting with the hot water supply line, lay down the dishwasher and wipe out moisture from the water leakage sensor. (Refer to the figure.)
5. Plug in the dishwasher and open the water supply valve.
6. Run the Smart Install Cycle again.

NOTE

If the leakage check code (LC) remains after following the steps, stop the installation and contact a local service center for assistance.

Appendix

Specifications

Power supply	120 V, 15 A, 60 Hz AC
Water pressure	20~120 psi (140~830 kPa)
Dimensions (Width × Depth × Height)	23 ⁷ / ₈ x 25 x 33 ⁷ / ₈ inches (606 x 635 x 860 mm)
Minimum inlet water temperature	120 °F (49 °C)

NOTE

Specifications are subject to change without notice for quality improvement purposes. The actual appearance of the dishwasher may differ from the illustrations in this manual.

SAMSUNG

Lave-vaisselle

Manuel d'installation

DW90F89*****



Scannez ce code avec votre smartphone.

Scannez le code QR* pour visionner
des vidéos d'aide à l'installation.

* Un lecteur doit avoir été installé sur votre smartphone.

SAMSUNG

Sommaire

Consignes de sécurité	3
Symboles de sécurité importants	3
Avertissement de la Proposition 65 de la Californie	4
Consignes de sécurité importantes	4
Avant d'utiliser votre lave-vaisselle	5
Préparation à l'installation	6
Pièces et outils nécessaires	6
Dimensions	9
Conditions indispensables à l'installation	10
Déballage et vérification du lave-vaisselle	11
Installation	13
Préparation du meuble	13
Préparation du lave-vaisselle en vue de son installation	15
Branchement du câble d'alimentation	16
Installation du lave-vaisselle dans le meuble	18
Raccordement du tuyau d'évacuation	19
Mise à niveau du lave-vaisselle	21
Fixation du lave-vaisselle	23
Fixation de la plaque de protection	25
Montage du panneau sur mesure (modèles applicables uniquement)	26
Essai du lave-vaisselle	29
Annexe	31
Caractéristiques techniques	31

Consignes de sécurité

Tout au long du présent manuel, vous rencontrerez des remarques intitulées Avertissement et Attention. Les remarques, ainsi que les consignes de sécurité décrites dans cette section, ne sont pas exhaustives. Il est de votre responsabilité de faire appel à votre bon sens et de faire preuve de prudence et de minutie lors de l'installation, la maintenance et l'utilisation du lave-vaisselle. Samsung ne saurait être tenue pour responsable en cas de dommage résultant d'une utilisation non conforme.

Symboles de sécurité importants

Que signifient les icônes et symboles utilisés dans ce manuel d'installation ?

AVERTISSEMENT

Risques ou manipulations dangereuses susceptibles d'entraîner **des blessures graves, voire mortelles**.

ATTENTION

Risques ou manipulations dangereuses pouvant entraîner des **blessures ou des dommages matériels**.

ATTENTION

Pour réduire le risque d'incendie, d'explosion, d'électrocution ou de blessures lors de l'utilisation du lave-vaisselle, veuillez vous conformer aux précautions de sécurité de base suivantes :

REMARQUE

Indique un risque de blessures ou de dommages matériels.

Ces symboles d'avertissement visent à éviter que vous ou quelqu'un d'autre ne se blesse.

Veuillez vous y conformer scrupuleusement.

Lorsque vous aurez terminé de lire ce manuel, conservez-le dans un endroit sûr afin de pouvoir le consulter ultérieurement.



STOP

Ces instructions d'installation ont été rédigées pour être utilisées par des installateurs qualifiés.

Si vous rencontrez des problèmes lors de l'installation du lave-vaisselle,

ÉTATS-UNIS

Veuillez appeler au : 1-800-SAMSUNG (726-7864)

1-844-SAM-PAYS (726-7297)

ou consulter le site suivant, www.samsung.com/us/support
pour obtenir de l'aide :

CANADA

Veuillez appeler au : 1-800-SAMSUNG (726-7864)

ou consulter le site suivant, www.samsung.com/ca/support (English)
pour obtenir de l'aide : www.samsung.com/ca_fr/support (French)

CONSERVEZ SOIGNEUSEMENT CES CONSIGNES

Consignes de sécurité

Avertissement de la Proposition 65 de la Californie

AVERTISSEMENT

Risque de cancer et d'effets nocifs sur la reproduction - www.P65Warnings.ca.gov

Consignes de sécurité importantes

Lisez attentivement toutes les instructions avant d'utiliser l'appareil.

Installez et entreposez le lave-vaisselle à l'intérieur, dans un endroit où il ne pourra être exposé aux intempéries.

ATTENTION

- N'installez pas le lave-vaisselle près de composants électriques. Éloignez-le des flammes nues.
- N'installez pas le lave-vaisselle sur un tapis en raison des risques d'incendie.
- N'installez pas le lave-vaisselle dans un endroit où l'eau pourrait geler (lorsque la température descend en dessous de 32 °F (0 °C)). Le lave-vaisselle pourrait être endommagé par la glace se trouvant dans les tuyaux et conduits.
- À l'instar de tous les équipements électriques, utilisant l'eau et comportant des parties mobiles, des risques potentiels existent. Pour utiliser cet appareil en toute sécurité, veuillez vous familiariser avec son fonctionnement et faire toujours preuve de prudence.

Le lave-vaisselle doit être mis à la terre de façon appropriée. Ne le branchez jamais à une prise non reliée à la terre.

Avant d'enlever le lave-vaisselle d'origine et de le remplacer par le nouvel appareil, assurez-vous d'avoir coupé votre disjoncteur. Ne branchez pas le câble d'alimentation du lave-vaisselle avant d'avoir terminé l'installation ; ce branchement est la dernière étape à effectuer.

Toutes les opérations de câblage et de mise à la terre doivent être effectuées conformément au code d'électricité en vigueur dans votre pays.

INSTRUCTIONS DE MISE À LA TERRE

Branchement permanent de l'appareil :

Cet appareil doit être connecté à un système de câblage permanent métallique avec mise à la terre ; si ce n'est pas le cas, un conducteur de mise à la terre de l'équipement doit être installé avec les conducteurs du circuit puis connecté à la borne ou au fil de mise à la terre de l'équipement située sur l'appareil.

Le lave-vaisselle est très lourd. Ne tentez pas de le déplacer ou de le transporter seul. Au minimum deux personnes sont nécessaires pour déplacer le lave-vaisselle et ainsi éviter tout risque de blessures.

ATTENTION

- Si le câble d'alimentation est endommagé, faites-le remplacer par le fabricant, un réparateur agréé ou une personne disposant de qualifications similaires afin d'éviter tout risque.
- Ne touchez jamais le câble d'alimentation si vos mains sont mouillées.

CONSERVEZ SOIGNEUSEMENT CES CONSIGNES

- Ne branchez aucun autre appareil sur la même prise électrique que le lave-vaisselle.

Assurez-vous d'utiliser un tuyau d'arrivée d'eau neuf. Un tuyau ancien pourrait se briser à la suite d'un durcissement, ce qui pourrait causer une fuite d'eau et endommager vos biens.

Le lave-vaisselle doit être raccordé à une source d'eau chaude avec une température comprise entre 120 °F (49 °C) et 149 °F (65 °C). Plage de température conseillée pour un résultat de lavage optimal et pour un temps de cycle plus court. Une température supérieure à 149 °F (65 °C) risque d'endommager la vaisselle.

Assurez-vous que l'eau alimentée dans le lave-vaisselle ne peut pas geler, car la glace pourrait endommager les tuyaux, les valves, la pompe ou d'autres composants.

Les lave-vaisselle domestiques certifiés ne sont pas conçus pour une utilisation dans des établissements de restauration sous licence.

(Norme NSF/ANSI184 pour les lave-vaisselle domestiques)

Pour obtenir une liste complète des consignes de sécurité, veuillez vous reporter au Manuel d'utilisation.

Avant d'utiliser votre lave-vaisselle

AVERTISSEMENT



Risque de basculement

- N'utilisez pas le lave-vaisselle avant qu'il ne soit correctement installé.
- N'appuyez pas sur la porte du lave-vaisselle lorsque celle-ci est ouverte.
- Ne placez rien de trop lourd sur la porte du lave-vaisselle lorsque celle-ci est ouverte.



Risque d'électrocution

Le non-respect de ces consignes peut entraîner un incendie ou une électrocution et avoir des conséquences mortelles.

- Reliez le lave-vaisselle à la terre.
- Connectez le fil de terre au connecteur de terre vert de la boîte de jonction.
- N'utilisez pas de rallonge.

Afin de réduire les risques d'incendie, d'électrocution ou de blessures, l'installateur doit veiller à ce que le lave-vaisselle soit entièrement encastré au moment de l'installation.

CONSERVEZ SOIGNEUSEMENT CES CONSIGNES

Préparation à l'installation

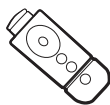
Assurez-vous que toutes les préparations nécessaires ont été effectuées avant de commencer le processus d'installation.

Pièces et outils nécessaires

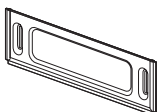
Avant de commencer l'installation, réunissez l'ensemble des pièces et outils nécessaires afin de gagner du temps et de simplifier le processus.

Pièces fournies

Les pièces suivantes sont fournies avec le lave-vaisselle. Vérifiez que toutes les pièces sont bien présentes lors du déballage.



Support de montage (x2)



Plaque de protection



Vis (x4), pour le support de montage



Autocollant de protection



Bouchon en plastique (x4)



Vis noire (x2), pour la plaque de protection



Vis (x2), pour la porte sur mesure



Bouchon en plastique (x2), pour la porte sur mesure



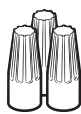
Outil d'ouverture du hublot

Pièces à acheter séparément

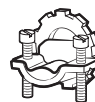
Les pièces suivantes ne sont pas fournies avec le lave-vaisselle et doivent être achetées séparément.



Câble d'alimentation



Capuchon de connexion pour fils (x3)



Réducteur de tension



Ruban isolant et ruban pour conduits standard



Tuyau d'arrivée d'eau chaude



Raccord à 90° de $\frac{3}{4}$ "



Raccords pour tuyaux



Coupure antirefoulement



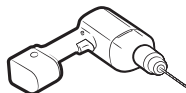
Collier de serrage

Recommandations pour les pièces non fournies

Tuyau d'arrivée d'eau chaude	<ul style="list-style-type: none"> • Diamètre extérieur : $\frac{3}{8}$" minimum • Matériau : cuivre ou acier inoxydable tressé avec raccord à compression <p>⚠ AVERTISSEMENT N'utilisez pas de tuyaux d'arrivée d'eau en plastique, car ils peuvent se détériorer et engendrer des fuites.</p>
Raccord à 90°	<ul style="list-style-type: none"> • Une extrémité avec des filetages NPT externes de $\frac{3}{4}$" et l'autre extrémité doit s'adapter sur votre tuyau d'arrivée d'eau chaude (tuyau en cuivre avec raccords à compression ou tuyau en acier inoxydable tressé).
Câble d'alimentation	<ul style="list-style-type: none"> • Câble 12-2 gainé avec mise à la terre. <p>📖 REMARQUE Certains codes locaux peuvent exiger une gaine métallique de style BX pour le câble d'alimentation.</p>

Préparation à l'installation

Outils nécessaires



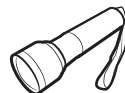
Perceuse électrique



Lunettes de sécurité



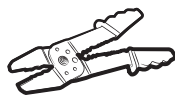
Gants



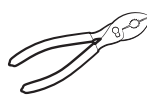
Lampe de poche



Clé à molette



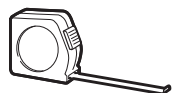
Pince à dénuder



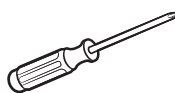
Pince



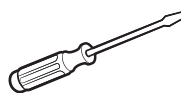
Pince coupante



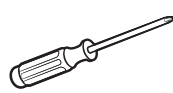
Mètre ruban



Tournevis cruciforme



Tournevis plat



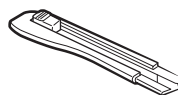
Tournevis Torx T20



Crayon



Coupe-tube



Cutter



Scie-cloche



Niveau



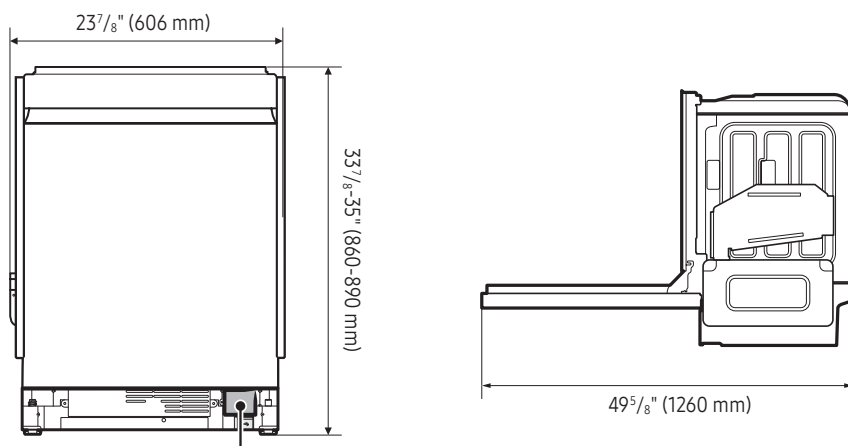
Clé hexagonale



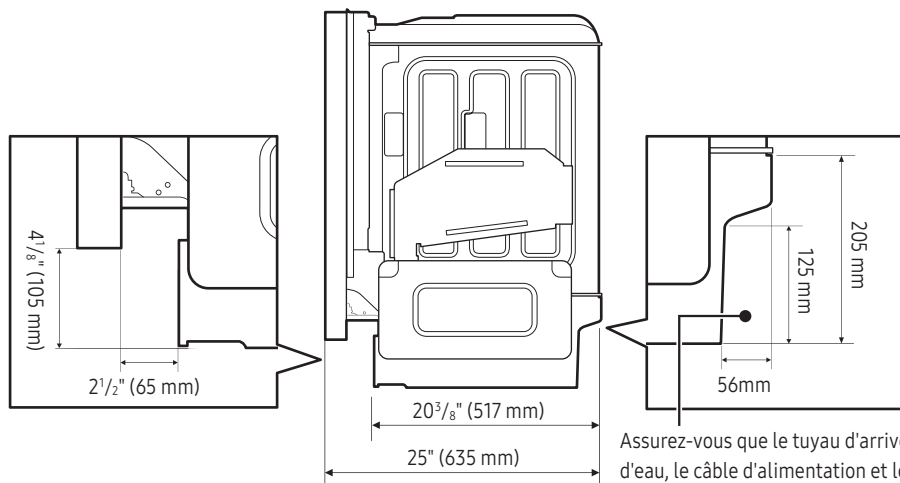
Ventouse

Dimensions

Appareil



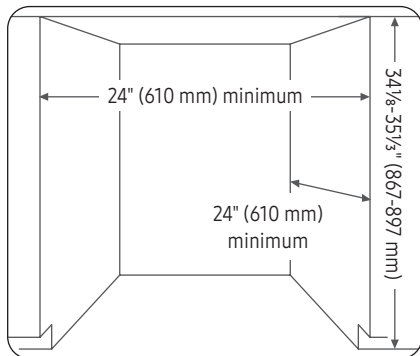
Boîte de jonction



Assurez-vous que le tuyau d'arrivée d'eau, le câble d'alimentation et le tuyau d'évacuation soient disposés au sein de l'espace désigné, situé à l'arrière du lave-vaisselle.

Préparation à l'installation

Meuble



Conditions indispensables à l'installation

Vérification de la compatibilité

Si vous remplacez un ancien lave-vaisselle, vous devez vérifier que les raccordements existants du lave-vaisselle actuel sont compatibles avec le nouveau lave-vaisselle. Remplacez les raccordements existants si nécessaire.

Éléments électriques

- **États-Unis** : procédez à l'installation conformément au National Electrical Code, ainsi qu'aux codes nationaux, municipaux ou locaux.
- **Canada** : procédez à l'installation conformément au code canadien de l'électricité CSA C22.1, ainsi qu'aux codes provinciaux, municipaux ou locaux.
- **Pour les raccordements de câbles directs** :
 - Utilisez un câble en cuivre flexible avec armature ou gaine non métallique, doté d'un fil de mise à la terre, conforme à la législation en vigueur en matière de câblage.

⚠ AVERTISSEMENT

- N'utilisez PAS de rallonge.
- Utilisez exclusivement le cordon d'alimentation qui est fourni avec le lave-vaisselle.
- Ne branchez PAS le câble de mise à la terre sur des canalisations en plastique, des conduites de gaz ou des conduites d'eau chaude.
- Le mauvais branchement des conducteurs de mise à la terre peut provoquer un choc électrique.

Alimentation en eau

- **Pression** : assurez-vous que la pression de l'arrivée d'eau chaude est comprise entre 20 et 120 psi (140 et 830 kPa).
- **Température de l'eau** : réglez le chauffe-eau de façon à ce que l'eau qu'il délivre se situe entre 120 °F (49 °C) et 149 °F (65 °C).
 - Cette plage de températures garantit des résultats de lavage optimaux et raccourcit le temps de cycle.
 - Pour éviter d'endommager la vaisselle, la température de l'eau ne doit pas dépasser 149 °F (65 °C).

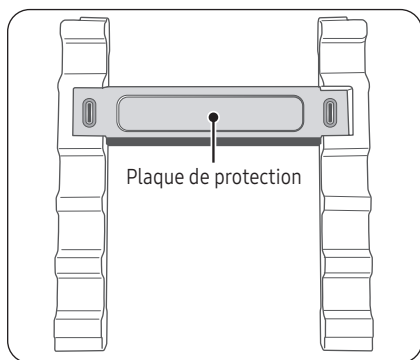
Emplacement

Choisissez un emplacement répondant aux conditions suivantes.

- Le sol de la pièce choisie doit pouvoir supporter le poids du lave-vaisselle.
- Choisissez un endroit situé près d'un évier, à proximité d'une arrivée d'eau, d'un système de vidange et d'une prise électrique.
 - Pour que la vidange puisse se faire correctement, installez le lave-vaisselle à moins de 9,8 pieds (3 m) de l'évier.
- Vous devez pouvoir charger la vaisselle facilement.
- Choisissez un emplacement qui vous permette d'ouvrir facilement la porte du lave-vaisselle et assurez-vous qu'il y ait un espace suffisant entre le lave-vaisselle et les parois des meubles l'entourant (au moins 0,1 pouce (2 mm)).
 - Si le lave-vaisselle est installé dans un angle, assurez-vous que ses côtés se trouvent à plus de 2 pouces (50 mm) du mur et du meuble situé à sa droite et à sa gauche.
- La paroi arrière ne doit pas être obstruée.
- Assurez-vous que le meuble du lave-vaisselle est bien fixé au sol. Si le meuble n'est pas fixé, il peut décupler le bruit généré par le lave-vaisselle pendant son utilisation.

Déballage et vérification du lave-vaisselle

Déballer le lave-vaisselle dans un espace ouvert et dégagé, sans obstacles autour ou au-dessus. Conservez tous les matériaux d'emballage jusqu'à ce que l'installation soit terminée et que le lave-vaisselle soit entièrement opérationnel, afin de vous assurer d'avoir bien sorti tous les composants présents à l'intérieur de ces emballages avant de les mettre au rebut.



1. Placez le carton à la verticale.
2. Coupez les sangles maintenant l'emballage fermé.
3. Déballer l'appareil et mettez de côté les sangles et les matériaux d'emballage.
4. Trouvez la plaque de protection attachée aux matériaux d'emballage et mettez-la de côté.
5. Inspectez le lave-vaisselle pour vérifier qu'il ne présente pas de dommages.
 - Reportez-vous à la section **Liste d'inspections** pour obtenir des détails.
6. Soulevez le lave-vaisselle de sa base en carton, puis posez-le sur le sol.

⚠ ATTENTION

- Soulevez toujours le lave-vaisselle pour le déplacer. Si vous faites glisser le lave-vaisselle, vous risquez d'endommager ses pieds ainsi que la surface en dessous.
- Ne retirez pas le revêtement d'absorption acoustique situé autour de l'extérieur de la cuve du lave-vaisselle.
- Pour protéger les composants internes, laissez l'emballage intérieur jusqu'à ce que l'installation soit terminée.

Préparation à l'installation

Liste d'inspections

Éléments mécaniques	<ul style="list-style-type: none">• Vérifiez que l'ensemble de la base en plastique est intact.• Vérifiez que les pieds de mise à niveau sont en place et réglables pour pouvoir effectuer la mise à niveau du lave-vaisselle.• Vérifiez que tous les composants visibles en bas de l'appareil sont intacts et solidement fixés.• Testez le loquet de la porte et les charnières, et vérifiez que la porte est solidement fixée.
Éléments de plomberie	<ul style="list-style-type: none">• Inspectez la vanne d'arrivée d'eau située à l'arrière du lave-vaisselle. (En bas à droite) Assurez-vous que la vanne d'arrivée d'eau est solidement fixée, que les filetages sont lisses et que la zone est propre.• Inspectez le tuyau d'évacuation pour vérifier qu'il ne présente pas de trous ou déformations susceptibles d'engendrer des fuites.
Éléments électriques	<ul style="list-style-type: none">• Vérifiez que le cache de la boîte de jonction, en bas à droite de la partie avant du lave-vaisselle, est solidement fixé.• Vérifiez que la boîte de jonction n'est pas endommagée et qu'elle est solidement fixée.
État général	<ul style="list-style-type: none">• Inspectez le panneau avant pour vérifier l'absence de piqûres ou rayures.• Inspectez les bords de la porte pour vérifier l'absence de rugosités ou fissures.• Vérifiez que le panneau de commande est en bon état et non rayé.
Pièces	<ul style="list-style-type: none">• Vérifiez que toutes les pièces répertoriées à la section Pièces et outils nécessaires sont bien présentes et ne sont pas endommagées.

Installation

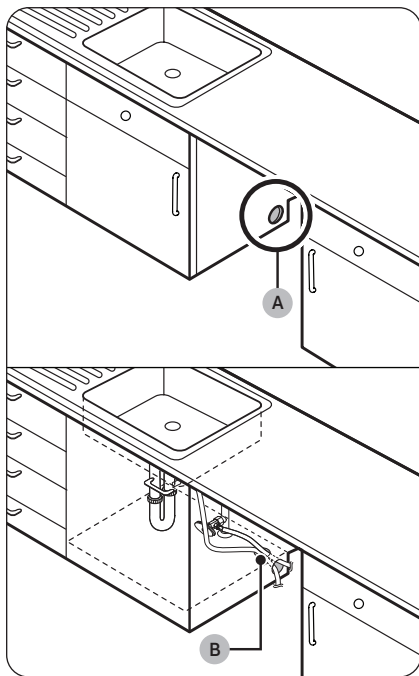
Assurez-vous que vous ou votre installateur suivez attentivement ces instructions, de sorte de garantir le bon fonctionnement du lave-vaisselle et d'éviter tout risque de blessures pendant l'utilisation.

⚠ ATTENTION

- Assurez-vous que le disjoncteur et la vanne d'arrivée d'eau sont bien coupés.
- Rétractez complètement les pieds de mise à niveau avant de déplacer le lave-vaisselle, afin d'éviter tout dommage.

Préparation du meuble

Si vous installez le lave-vaisselle dans un nouvel emplacement, suivez ces instructions avant de procéder à l'installation.



1. À l'aide d'une scie-cloche de 2 1/2", percez un **trou (A)** sur le côté du meuble qui porte l'évier.

📖 REMARQUE

Il se peut que vous deviez effectuer un trou supplémentaire en fonction de l'emplacement de la prise électrique.

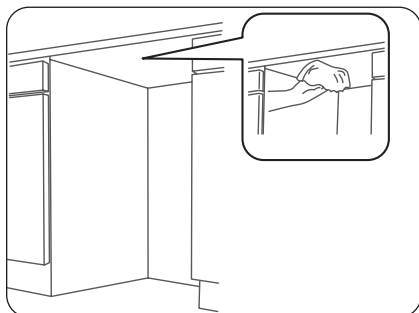
2. Si la base à l'intérieur du meuble de l'évier est surélevée par rapport au sol de la cuisine et se trouve plus haute que les raccords du lave-vaisselle, effectuez un autre **trou (B)** dans la base intérieure du meuble.

⚠ ATTENTION

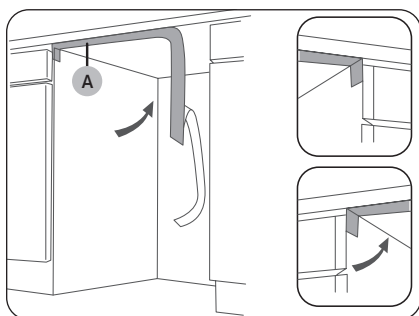
Avant d'insérer le tuyau d'évacuation à travers le trou, lissez les bords du trou pour éviter d'endommager le tuyau d'évacuation. Si les bords sont tranchants, ils risquent d'endommager le tuyau d'évacuation et d'engendrer des fuites.

- Pour les meubles en métal, recouvrez les bords tranchants de ruban isolant ou de ruban pour conduits.

Installation



3. Nettoyez la partie inférieure du plan de travail.



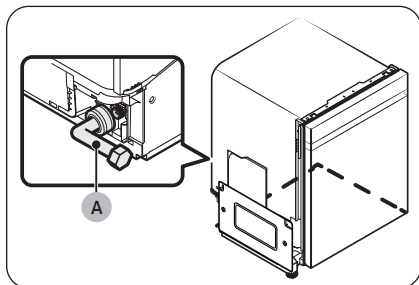
4. Appelez l'**autocollant de protection (A)**.

- L'autocollant de protection évite tout dommage lorsque vous faites glisser le lave-vaisselle vers l'intérieur et l'extérieur du meuble pendant l'installation.
- La longueur de l'autocollant de protection est de 26 pouces (660 mm).

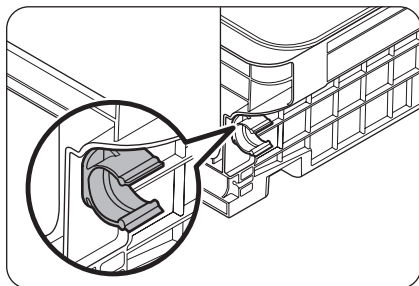
Préparation du lave-vaisselle en vue de son installation

⚠ ATTENTION

- Assurez-vous que le disjoncteur et la vanne d'arrivée d'eau sont bien coupés.
- Rétractez complètement les pieds de mise à niveau avant de déplacer le lave-vaisselle, afin d'éviter tout dommage.



1. Installez le **raccord à 90° (A)** de 3/4" sur la vanne d'arrivée d'eau.



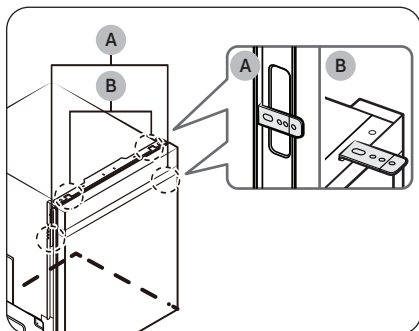
2. Détachez le tuyau d'évacuation qui est attaché à l'arrière du lave-vaisselle.
 - Vérifiez l'absence de pincements ou de coudes excessifs qui pourraient restreindre le débit d'eau.

📖 REMARQUE

Vous pouvez utiliser le support de tuyau d'évacuation pour soutenir le tuyau d'évacuation s'il doit être dirigé vers le côté droit du lave-vaisselle.

- Le support de tuyau d'évacuation peut être retiré et repositionné à 3 emplacements différents.
- Pour le repositionner, pressez légèrement le support et tournez-le vers la gauche pour le libérer, puis tirez-le vers l'extérieur. Ensuite, insérez-le à la position souhaitée et tournez-le vers la droite pour le verrouiller en place.

Installation



- Fixez les deux supports de montage en haut ou sur les côtés du lave-vaisselle.
 - A : si le plan de travail est composé d'un matériau non perçable, fixez un support de chaque côté (à gauche et à droite).
 - B : si le plan de travail est composé d'un matériau perçable, fixez les supports en haut.

Branchement du câble d'alimentation

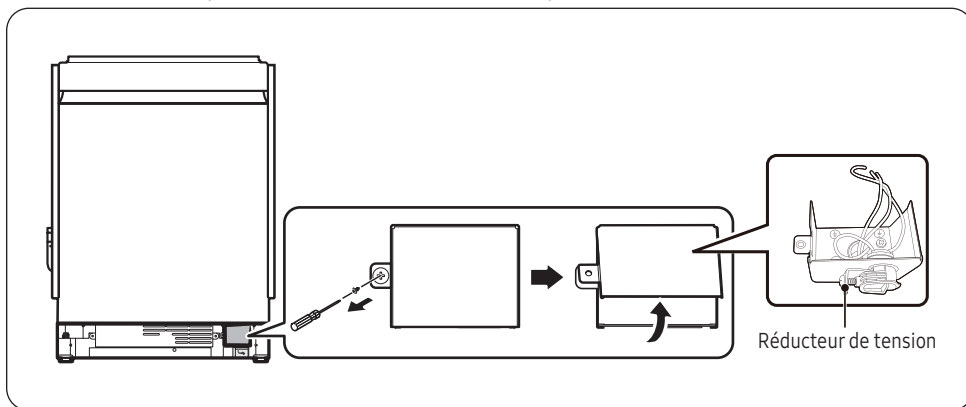
⚠ AVERTISSEMENT

Risque d'électrocution

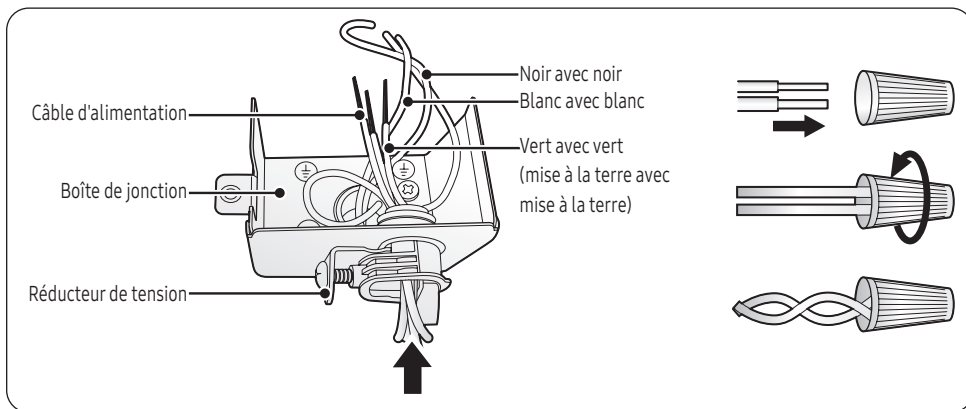
- Pour éviter toute électrocution, ne travaillez pas avec un circuit sous tension. Cela pourrait entraîner des blessures graves voire mortelles. Seuls des électriciens qualifiés doivent effectuer des travaux électriques. Ne tentez aucune action sur le circuit d'alimentation électrique du lave-vaisselle tant que vous n'êtes pas certain que le circuit est hors tension.

Risque d'incendie

- Pour éviter tout risque d'incendie, assurez-vous que les circuits électriques sont correctement installés.
- Seuls des électriciens qualifiés doivent effectuer des travaux électriques.



- Retirez le cache de la boîte de jonction.
 - Desserrez la vis située sur le côté gauche de la boîte de jonction.
 - Vous verrez trois fils dans la boîte de jonction, notamment le fil de mise à la terre.
- Installez un réducteur de tension.

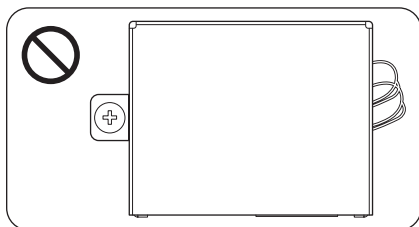


3. Insérez le câble d'alimentation à travers le réducteur de tension puis dans la boîte de jonction solidement.
4. Raccordez les trois fils à l'aide de capuchons de connexion pour fils.
 - Tout d'abord, faites correspondre les fils ayant la même couleur. Ensuite, insérez chaque paire de fils dans un capuchon de connexion pour fils et tournez dans le sens horaire pour verrouiller en place.

REMARQUE

Veillez à ne pas tourner le capuchon de connexion pour fils dans le sens antihoraire.

5. Vérifiez une nouvelle fois que chaque fils est bien relié à sa couleur correspondante (blanc avec blanc, noir avec noir, vert avec vert).
6. Disposez tous les fils dans la boîte de jonction, puis fixez le cache.



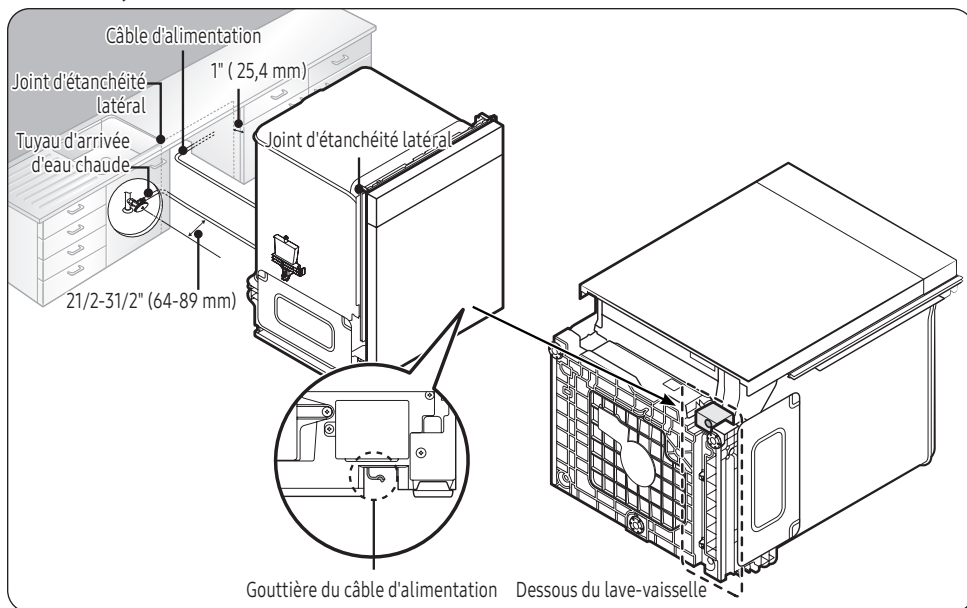
ATTENTION

Assurez-vous que les fils ne sont pas pincés et ne ressortent pas de la boîte de jonction.

Installation

Installation du lave-vaisselle dans le meuble

1. Placez le lave-vaisselle devant le meuble.
2. Reliez le tuyau d'eau chaude au raccord à 90°.



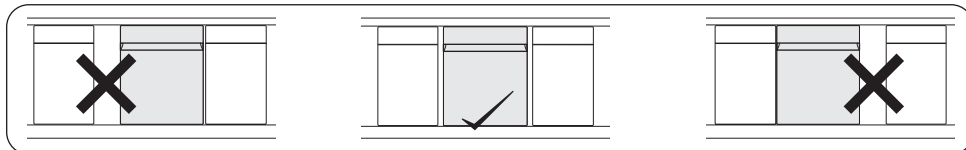
3. Disposez correctement le câble d'alimentation, relié à la boîte de jonction, à l'arrière du lave-vaisselle.
 - Utilisez les crochets de la gouttière du câble d'alimentation, à l'arrière du lave-vaisselle, pour acheminer correctement le câble d'alimentation.
4. Tirez la fiche d'alimentation, le tuyau d'arrivée d'eau et le tuyau d'évacuation à travers le trou que vous avez précédemment effectué dans la paroi du meuble.
5. Faites glisser doucement le lave-vaisselle dans le meuble.
 - Pour éviter tout écrasement, coude ou pincement du tuyau d'arrivée d'eau, du tuyau d'évacuation ou du câble d'alimentation, demandez à une deuxième personne de tirer leur excédent de longueur pendant que vous faites glisser le lave-vaisselle à l'intérieur du meuble.
 - Assurez-vous que les joints d'étanchéité latéraux sont parfaitement insérés, de $\frac{13}{16}$ à 1 pouce vers l'intérieur en partant du bord avant du meuble de cuisine. En effet, un mauvais positionnement pourrait accroître le bruit généré pendant l'utilisation du lave-vaisselle.

⚠ ATTENTION

Assurez-vous que le tuyau d'arrivée d'eau, le tuyau d'évacuation ou le câble d'alimentation n'est pas écrasé, coudé ou pincé.

6. Raccordez le tuyau d'arrivée d'eau à une vanne d'arrivée d'eau chaude sous votre évier.
 - Enroulez du ruban Téflon autour de chaque connexion afin d'empêcher toute fuite d'eau.

7. Raccordez le tuyau d'évacuation à votre évier.
- Reportez-vous à la section **Raccordement du tuyau d'évacuation** pour obtenir des détails.



⚠ ATTENTION

Après avoir mis le lave-vaisselle à l'intérieur du meuble, vérifiez les points suivants.

- Assurez-vous que la porte s'ouvre et se ferme librement, sans interférence avec le meuble.
- Assurez-vous que le lave-vaisselle est placé au centre.

Raccordement du tuyau d'évacuation

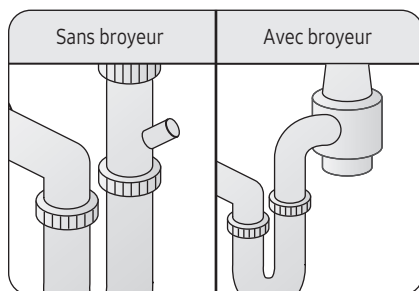
Il existe plusieurs méthodes de raccordement du tuyau d'évacuation pour la vidange. Vérifiez que le raccordement est conforme à vos réglementations locales relatives à l'installation de conduites d'eau.

⚠ ATTENTION

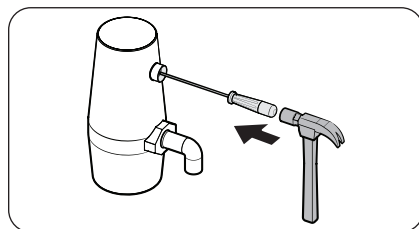
N'étendez pas le tuyau d'évacuation de plus de 3 m.

📖 REMARQUE

Avant de raccorder le tuyau d'évacuation à l'évier, vérifiez l'absence de corps étrangers à l'intérieur du tuyau.



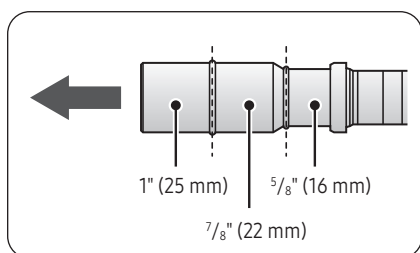
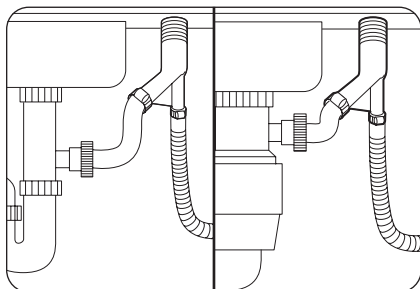
1. Allez voir sous votre évier si vous avez un broyeur de déchets.



📖 REMARQUE

À l'aide d'un marteau, tapotez sur le bouchon dans le raccord du broyeur de déchets pour le retirer avant de raccorder le tuyau d'évacuation.

Installation

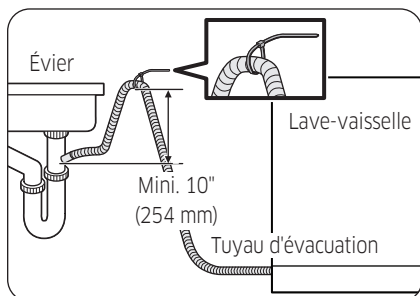


2. Vérifiez si l'installation d'une coupure antirefoulement est nécessaire.
 - Installez la coupure antirefoulement. Ensuite, utilisez un tuyau pour raccorder la sortie de la coupure antirefoulement au système d'évacuation de l'évier ou au broyeur de déchets.
 - Si vous n'avez pas besoin d'installer une coupure antirefoulement, nouez le tuyau d'évacuation. (Reportez-vous à la section **Nouage du tuyau d'évacuation** pour obtenir des détails.)
3. Utilisez un collier de serrage pour raccorder le tuyau d'évacuation à l'entrée de la coupure antirefoulement, au système d'évacuation de l'évier ou au broyeur de déchets.
 - L'extrémité du tuyau d'évacuation a trois diamètres différents pour assurer la compatibilité avec plusieurs tailles. Vous pouvez couper les parties dont vous n'avez pas besoin.
 - Si l'extrémité du tuyau d'évacuation ne s'adapte pas sur le point de raccordement, achetez un adaptateur approprié dans un magasin de plomberie ou une quincaillerie.

⚠ ATTENTION

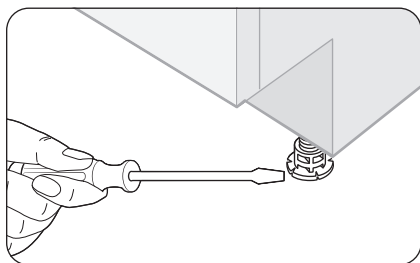
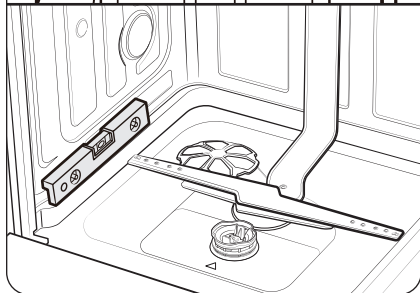
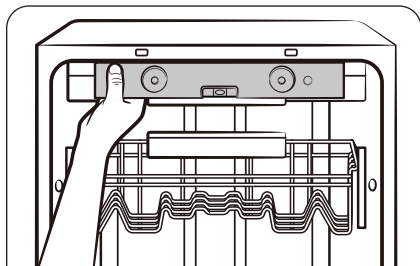
- l'utilisation d'un collier de serrage est obligatoire. Ne pas en utiliser risque d'entraîner des fuites d'eau.
- Soyez prudent lorsque vous coupez l'extrémité du tuyau d'évacuation, car il existe un risque de blessures.
- Ne coupez pas la zone nervurée du tuyau d'évacuation.

Nouage du tuyau d'évacuation



Pour éviter un reflux, raccordez le tuyau d'évacuation sur la paroi latérale ou arrière du meuble à l'aide de serre-câbles ou d'autres dispositifs de fixation. Assurez-vous que le tuyau d'évacuation se situe à une hauteur d'au moins 10 pouces (254 mm) du raccord de l'évier.

Mise à niveau du lave-vaisselle



1. Utilisez le niveau pour vérifier que le lave-vaisselle est bien de niveau d'un côté à l'autre et de l'avant vers l'arrière.

- Utilisez les pieds de mise à niveau avant pour mettre le lave-vaisselle de niveau d'un côté à l'autre.
- Utilisez les pieds de mise à niveau arrière pour mettre le lave-vaisselle de niveau de l'avant vers l'arrière.

2. Utilisez un tournevis plat pour ajuster la hauteur à l'avant.

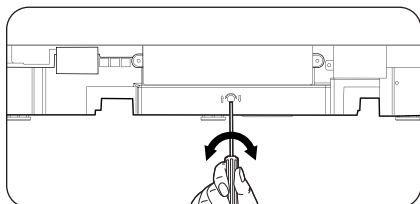
- Pour abaisser l'appareil, tournez le pied de mise à niveau dans le sens horaire.
- Pour rehausser l'appareil, tournez le pied de mise à niveau dans le sens antihoraire.

REMARQUE

Vous pouvez ajuster les pieds de mise à niveau de 1 1/8 pouce maximum.

Toutefois, il est déconseillé de mettre l'appareil de niveau à la hauteur maximale.

Installation



3. Pour régler la hauteur à l'arrière, insérez le tournevis Torx T20 au milieu de la partie basse du lave-vaisselle.
 - Pour abaisser l'appareil, tournez le tournevis dans le sens horaire.
 - Pour rehausser l'appareil, tournez le tournevis dans le sens antihoraire.

REMARQUE

Pour éviter toute fuite au niveau de la porte, assurez-vous que l'avant du lave-vaisselle n'est pas plus bas que l'arrière.

ATTENTION

- Si l'appareil est installé sans avoir été mis de niveau ou avec un pied de mise à niveau manquant, la porte risque de ne pas se fermer complètement, et cela peut entraîner une fuite de vapeur ou d'eau.
- Lors du réglage de la hauteur du lave-vaisselle, assurez-vous que le joint d'étanchéité supérieur est parfaitement inséré en dessous du haut du meuble de cuisine. Sinon, cela peut découpler le bruit pendant l'utilisation du lave-vaisselle.

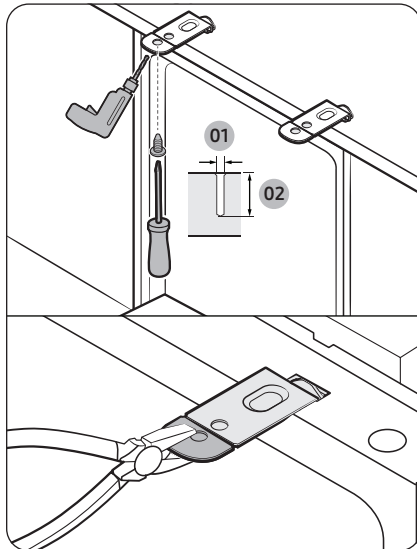
Fixation du lave-vaisselle

Fixez le lave-vaisselle au plan de travail ou aux parois de meuble adjacentes pour garantir plus de stabilité et de sécurité.

⚠ ATTENTION

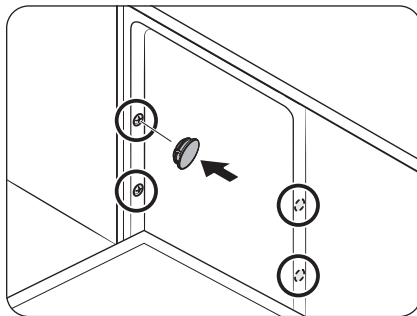
Avant de fixer le lave-vaisselle, placez une grande serviette au fond du lave-vaisselle (recouvrant le puits collecteur) afin d'empêcher que des copeaux de bois ou des vis ne tombent dans le puits collecteur de l'appareil.

Au plan de travail



01 2 mm

02 12 mm



1. Percez délicatement 2 trous de vis sur le dessous de la partie inférieure du plan de travail, un pour chaque support de montage.
 - Assurez-vous que le trou que vous percez soit plus petit que le diamètre de la vis.
2. Insérez les vis fournies dans le trou des supports, puis serrez-les pour fixer le lave-vaisselle au plan de travail.

📖 REMARQUE

Si les supports fournis sont trop longs, coupez-les à l'aide de pinces.

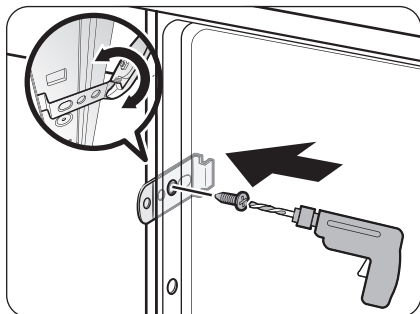
3. Recouvrez les quatre trous avec les bouchons en plastique fournis.

⚠ ATTENTION

- Si les bouchons en plastique ne sont pas installés, cela peut entraîner une fuite d'eau et causer un incendie ou une électrocution.
- Après avoir installé le lave-vaisselle à l'intérieur du meuble, vérifiez si la porte s'ouvre et se ferme librement sans interférence avec le meuble.

Installation

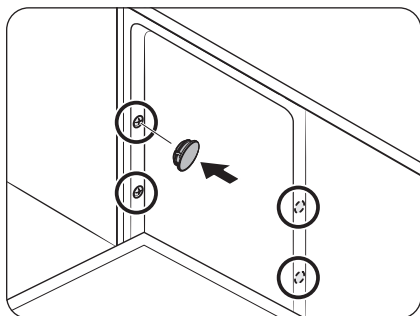
Sur les côtés



1. Percez un trou des deux côtés du meuble de cuisine pour obtenir un total de 2 trous de vis.
 - Assurez-vous que le trou que vous percez soit plus petit que le diamètre de la vis.
2. Serrez les vis fournies dans les trous pour fixer le lave-vaisselle au meuble.

REMARQUE

Si les supports fournis sont trop longs, coupez-les à l'aide de pinces.

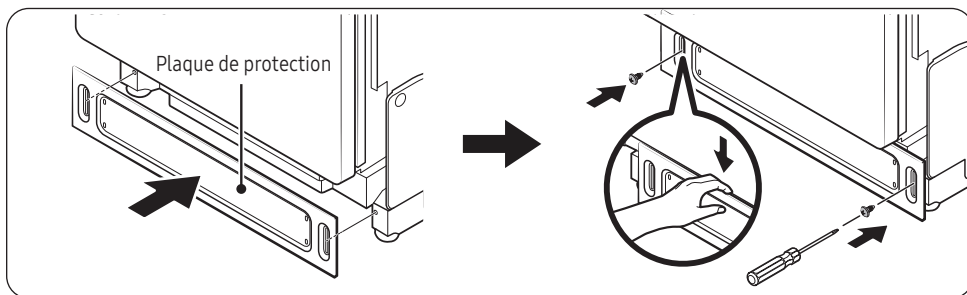


3. Recouvrez les quatre trous avec les bouchons en plastique fournis.

ATTENTION

- Si les bouchons en plastique ne sont pas installés, cela peut entraîner une fuite d'eau et causer un incendie ou une électrocution.
- Après avoir installé le lave-vaisselle à l'intérieur du meuble, vérifiez si la porte s'ouvre et se ferme librement sans interférence avec le meuble.

Fixation de la plaque de protection



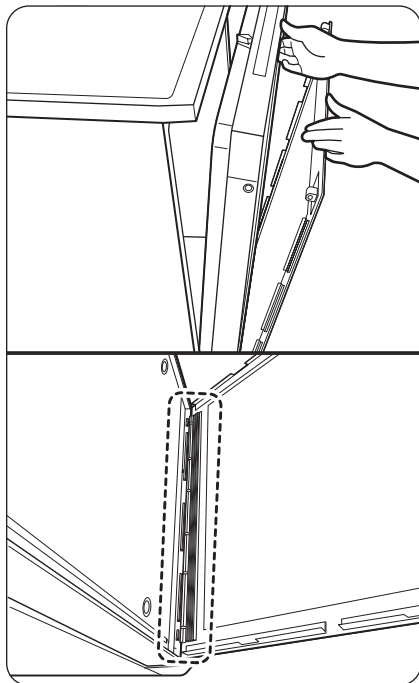
1. Veillez à ce que la jupe en caoutchouc de la porte reste bien tendue.
2. Poussez la plaque de protection depuis l'avant de la jupe en caoutchouc vers l'intérieur, pour la faire passer en dessous de la porte du lave-vaisselle.
 - Vérifiez que les joints d'étanchéité de la plaque de protection sont alignés avec le sol et les parois latérales.
3. Serrez les vis pour fixer la plaque de protection.

⚠ ATTENTION

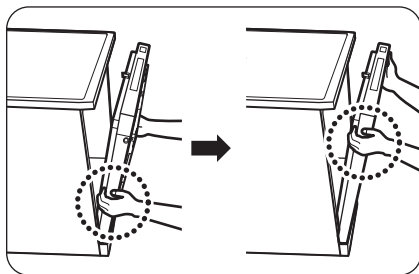
Assurez-vous que la plaque de protection n'interfère pas avec l'utilisation de la porte du lave-vaisselle. Ouvrez la porte à 90° et vérifiez qu'elle bouge librement sans générer de bruit.

Installation

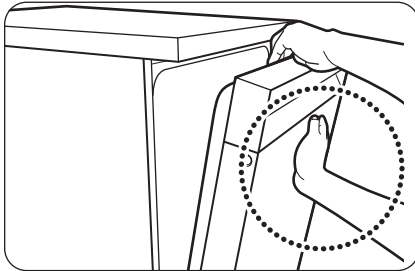
Montage du panneau sur mesure (modèles applicables uniquement)



1. Ouvrez la porte et fixez le panneau personnalisé dans la partie inférieure avant de la porte.



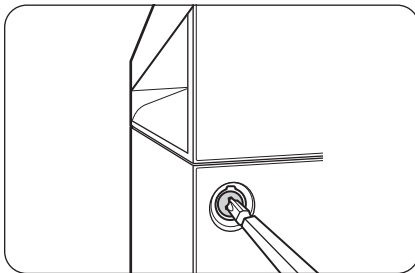
2. Tout en tenant la porte et le panneau personnalisé à deux mains, appuyez uniformément sur le panneau du haut vers le bas pour le verrouiller sur le lave-vaisselle.



3. Lorsque les deux côtés du panneau sont verrouillés en position, appuyez sur la partie centrale supérieure du panneau personnalisé pour le fixer sur le haut de la porte.

REMARQUE

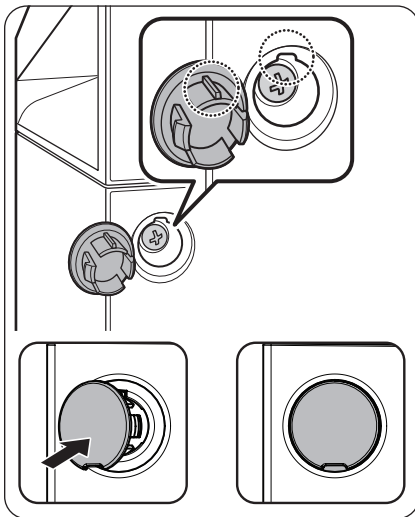
- Vérifiez que le panneau personnalisé s'adapte correctement au lave-vaisselle.
- Le panneau est correctement fixé si l'écart entre le lave-vaisselle et le panneau est inférieur à 0,1 pouce (2 mm). Si l'écart est supérieur à 0,1 pouce (2 mm), refixez le panneau.



4. Déballez les vis et bouchons en plastique fournis (deux pour chaque côté).
5. Serrez les vis des deux côtés du lave-vaisselle.

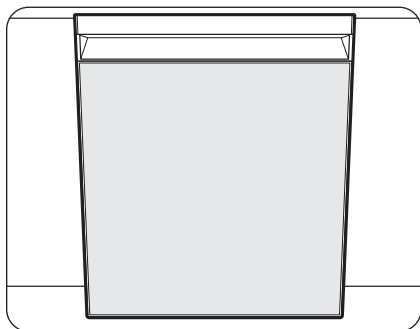
REMARQUE

Lors du serrage de la vis de chaque côté, serrez uniformément afin d'éviter que le panneau ne se décale vers l'un des deux côtés.



6. Insérez les bouchons des deux côtés.
 - Vérifiez que la rainure du bouchon s'insère correctement dans l'orifice du lave-vaisselle, dans la bonne direction.

Installation



7. Le montage du panneau personnalisé est maintenant terminé.

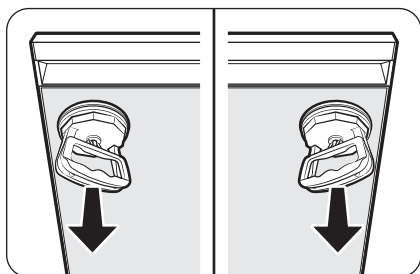
REMARQUE

Après l'insertion du panneau, contrôlez-le visuellement. Si le panneau n'est pas inséré correctement, ou si les écarts ne sont pas uniformes aux quatre coins, réinstallez le panneau. (Reportez-vous à la section **Réinstallation du panneau personnalisé** pour obtenir des détails.)

ATTENTION

Utilisez uniquement le panneau sur mesure Samsung d'origine (disponible auprès des revendeurs Samsung agréés). Il est interdit d'utiliser un panneau obtenu auprès d'un tiers. De plus, l'utilisateur sera entièrement responsable de tout problème découlant de l'utilisation d'un panneau obtenu auprès d'un tiers.

Réinstallation du panneau personnalisé



1. Retirez les vis et bouchons en plastique situés des deux côtés de la porte.
2. Installez la ventouse sur le côté supérieur gauche ou droit du panneau.
3. Tirez la ventouse pour détacher le panneau de la porte.
4. Réinstallez le panneau en suivant les instructions figurant à la section précédente.



ATTENTION

- N'installez pas la ventouse au centre du panneau pour le retirer. Cela pourrait provoquer des dommages sur le panneau.
- Vérifiez que la porte est correctement fixée et stable avant d'utiliser les ventouses.

Essai du lave-vaisselle

1. Ouvrez la porte du lave-vaisselle et retirez toute la mousse, l'emballage en papier et tout ce qui est inutile.
2. Réactivez le disjoncteur et ouvrez la vanne d'arrivée d'eau.
3. Allumez le lave-vaisselle et lancez le cycle Installation intelligente.
 - a. Appuyez sur **Paramètres**, puis sélectionnez **Départ différé**.
 - b. Appuyez sur < et sur > pour régler le temps sur « 17 ».
 - c. Laissez votre doigt appuyé sur **Départ** jusqu'à ce que le message « AS » apparaisse à l'écran.
 - d. Appuyez sur **Départ** et fermez la porte.
 - e. Le cycle Installation intelligente démarre et s'exécute pendant 7 minutes. Ensuite, la porte du lave-vaisselle s'ouvre et le chiffre « 5 » clignote pendant environ 1 minute.
 - f. Une fois le cycle Installation intelligente terminé, le message « Ot » s'affiche à l'écran.

ATTENTION

Vérifiez l'absence de fuites d'eau aux deux extrémités du tuyau d'arrivée d'eau et au niveau du raccord du tuyau d'évacuation.

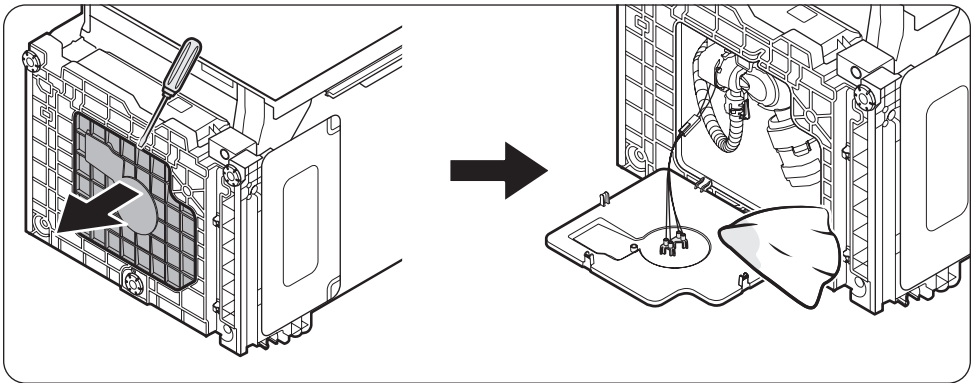
4. En l'absence de problèmes, éteignez le lave-vaisselle.
 - Si vous détectez une fuite, reportez-vous à la section **Gestion des fuites d'eau**.

Installation

Gestion des fuites d'eau

Si vous voyez le code de contrôle des fuites (LC) s'afficher sur le panneau de commande après l'essai, suivez ces instructions.

1. Laissez votre doigt appuyé sur le bouton **Départ** pendant plus de 3 secondes pour commencer la vidange.
2. Une fois la vidange terminée, débranchez le lave-vaisselle et fermez la vanne d'arrivée d'eau.
3. Vérifiez si la vanne d'arrivée d'eau fuit.
 - Si la fuite a lieu au niveau de la vanne d'arrivée d'eau, recommencez le branchement du raccord à 90° sur le tuyau d'arrivée d'eau chaude.



4. Après avoir rebranché le coude à 90° sur le tuyau d'arrivée d'eau chaude, allongez le lave-vaisselle au sol et essuyez toute trace d'humidité au niveau du capteur de fuite d'eau. (Reportez-vous à l'illustration.)
5. Branchez le lave-vaisselle et ouvrez la vanne d'arrivée d'eau.
6. Exécutez le cycle Installation intelligente une nouvelle fois.

REMARQUE

Si le code de contrôle des fuites (LC) demeure affiché à l'écran après avoir effectué les étapes indiquées, arrêtez l'installation et communiquez avec un centre de dépannage local pour obtenir de l'aide.

Annexe

Caractéristiques techniques

Alimentation	CA 120 V, 15 A, 60 Hz
Pression d'eau	20 à 120 psi (140 à 830 kPa)
Dimensions (largeur x profondeur x hauteur)	23 ⁷ / ₈ x 25 x 33 ⁷ / ₈ pouces (606 x 635 x 860 mm)
Température minimale de l'arrivée d'eau	120 °F (49 °C)

REMARQUE

Les caractéristiques techniques sont susceptibles d'être modifiées sans préavis, à des fins d'amélioration de la qualité. Le lave-vaisselle peut différer des illustrations présentées dans le présent manuel.

SAMSUNG