

# INSTALLATION GUIDE GUIDED'INSTALLATION GUÍA PARA INSTALACIÓN



SMART TOILET  
TOILETTE INTELLIGENTE  
SANITARIO INTELLIGENTE



## TO GET STARTED

Before you begin, read all instructions carefully.

This manual is a graphic reference for installation purposes. Some graphic elements and components may differ.

Consult local building codes to ensure that installation complies with standards in your area.

Inspect unit carefully to ensure there is no damage or defects. If such is the case, contact your distributor. If damage has occurred during transport, contact your carrier.

Make sure you have received all parts (tools not included)

**The installation has to be done by a specialist.**

## POUR COMMENCER

Avant de débiter les travaux, lisez attentivement les instructions d'installation.

Ce manuel est une référence graphique pour l'installation. Certains éléments graphiques et composantes peuvent différer.

Consultez le code du bâtiment de votre région, afin que l'installation respecte les normes en vigueur.

Lors de la réception, inspectez le produit afin de vérifier que tout soit en bonne condition. Si un problème survient, signalez immédiatement le distributeur. Si le dommage est causé par le transporteur, contactez le immédiatement.

Assurez-vous que toutes les pièces sont incluses. (outils ne sont pas inclus)

**L'installation doit être faite par un professionnel.**

## PARA COMENZAR

Leer todas las instrucciones cuidadosamente antes de empezar.

Este manual es una referencia gráfica para propósitos de instalación. Puede que algunos elementos y componentes gráficos varíen.

Consultar los códigos locales para asegurarse de que la instalación cumpla con las normas en su zona.

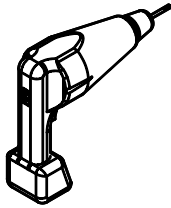
Inspeccionar la unidad cuidadosamente para asegurarse de que no tiene defectos ni está dañada. De ser así, póngase en contacto con su distribuidor. Si los daños sucedieron durante el transporte, contactar a su transportista.

Asegurarse de haber recibido todas las piezas (no se incluyen herramientas).

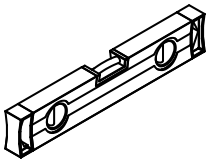
**La instalación debe ser realizada por un especialista.**

## TOOLS NEEDED

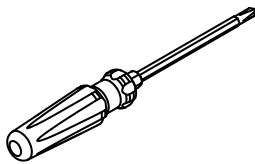
(not included)



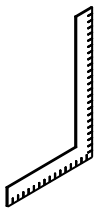
PERCEUSE  
DRILL  
TALADRO



NIVEAU  
LEVEL  
NIVEL



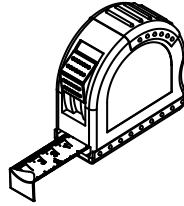
TOURNEVIS  
SCREW DRIVER  
DESTORNILLADOR



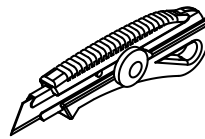
ÉQUERRE  
SET SQUARE  
ESCUADRA

## OUTILS REQUIS

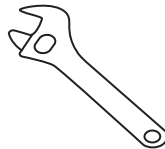
(non inclus)



RUBAN À MESURER  
MEASURING TAPE  
CINTA PARA MEDIR



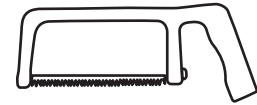
COUTEAU DE PRECISION  
PRECISION KNIFE  
PRECISIÓN DE CUCHILLA



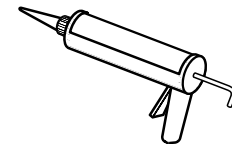
clé à molette  
Wrench  
llave inglesa

## HERRAMIENTAS NECESARIAS

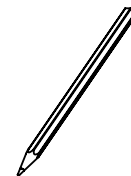
(no incluidas)



scie à métaux  
Hacksaw  
sierra de arco

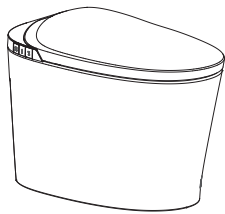


Caulk Gun/  
Pustolet Calfeutré

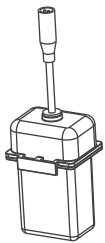


CRAYON  
PENCIL  
LÁPIZ

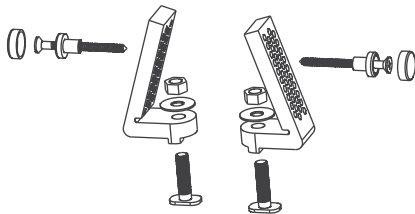
## PARTS LIST



Main unit  
Unité principale  
Unidad principal

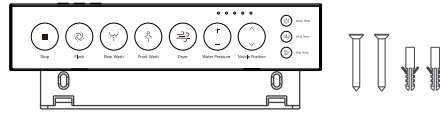


Spare battery box  
Boîte de batterie de rechange  
Caja de batería de repuesto

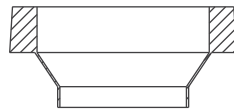


Installation accessories  
Accessoires d'installation  
Accesorios de instalación

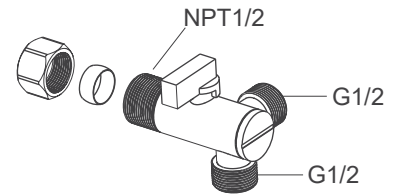
## LISTE DES PIÈCES



Remote control set  
Ensemble télécommande  
Conjunto de control remoto

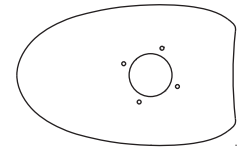


Wax ring  
Anneau de cire  
Anillo de cera



Angle valve  
Robinet d'angle  
Válvula de ángulo

## LISTA DE PIEZAS

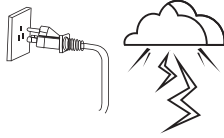


Installation cardboard  
Carton d'installation  
Cartón de instalación



## WARNING

Please pull out the power plug when it thunders.



Do not use water other than tap water, otherwise it may cause skin inflammation and other problems.



If the product function is abnormal or fails, please stop using it immediately and cut off the power supply, and contact the service provider in time.



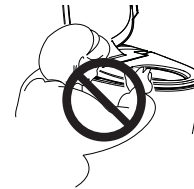
Do not stand on the ceramic toilet, and do not hit the ceramic with gravity to prevent damage and water leakage.



When used by people (including children) with physical, cognitive and intellectual disabilities or lack of experience and common sense, it is necessary to use this product under supervision, patients with heart disease should use it carefully. Do not let children play with this product.



Do not put fingers or other objects into or block the drying air outlet, otherwise it may cause scald, electric shock or burn.



If it is not used for a long time, the power supply and water supply must be cut off.



It is forbidden to disassemble, repair or modify the product by yourself, otherwise it may cause fire or electric shock.



It is forbidden to use other electrical appliances on the same socket.



Banana water, gasoline, liquid medicine, detergent, insecticide, toilet cleaner and hard brush are prohibited to clean this product.



When the product is powered on, it is not allowed to put the product sideways or upside down, otherwise it may cause fire or burn.



The socket shall be installed in a place that is not easy to be soaked by water. It is recommended to use waterproof socket.



Do not pour water or detergent on the machine body or power plug, otherwise it may cause fire or electric shock.



The new hose assembly and other attached or designated parts attached with the appliance shall be used for installation. The old hose assembly cannot be reused, otherwise, it may cause water leakage, fire or electric shock.



This product is an electrical product. It is forbidden to put it in a place that is easy to be soaked by water. Do not pour urine or other liquids onto the body.



When the product is moved indoors from a cold or wet place, it should be stored for 2 hours to fully volatilize the condensed water in the machine, and then it can be started for use, to avoid short circuit of products.

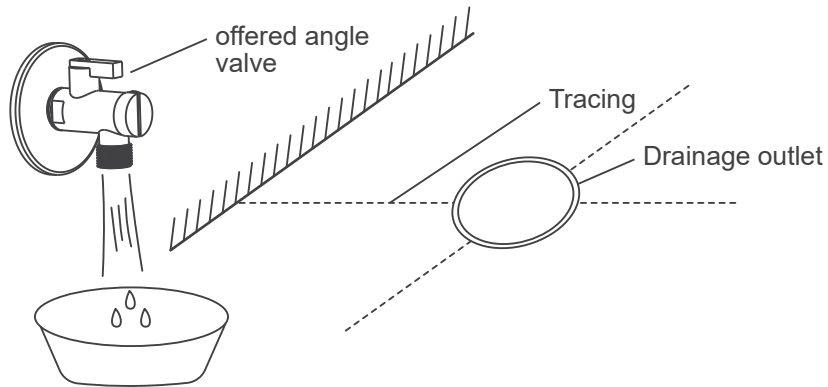


# INSTALLATION

## 1

Mark the center line of the drain outlet on the ground, and install the water inlet angle valve at a suitable position on the wall according to the size of the toilet.

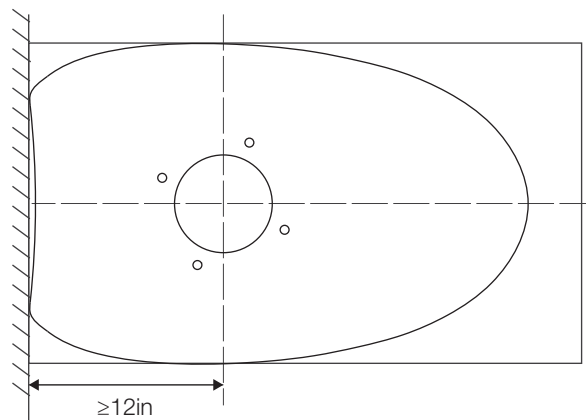
After installing the angle valve, open the valve to discharge the sewage.



## 2

Align the cardboard with the center line of the drain.

Draw contour lines from cardboard.

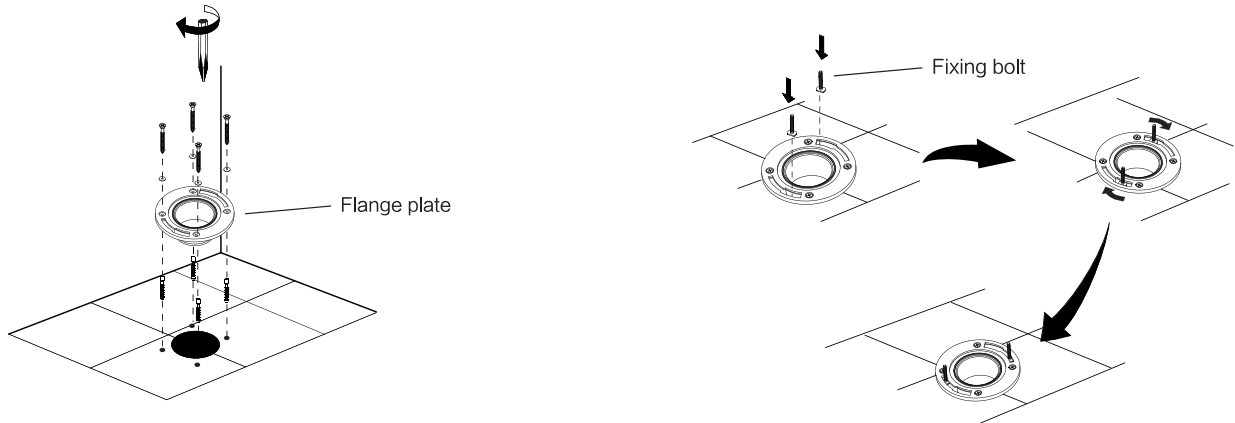


---

# 3

Install the flange plate.

Position correctly the two fixing bolts of the flange.

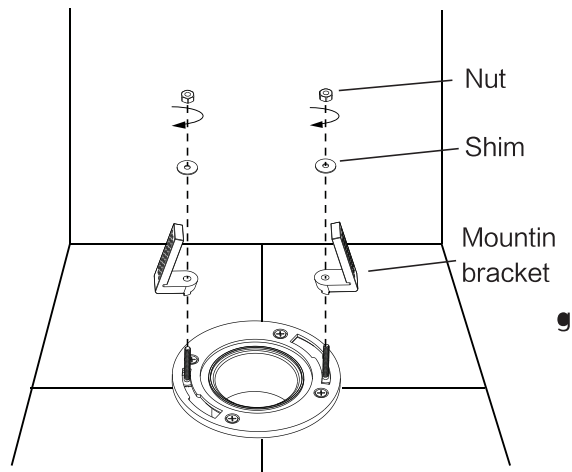


---

# 4

Install the flange plate.

Position correctly the two fixing bolts of the flange.

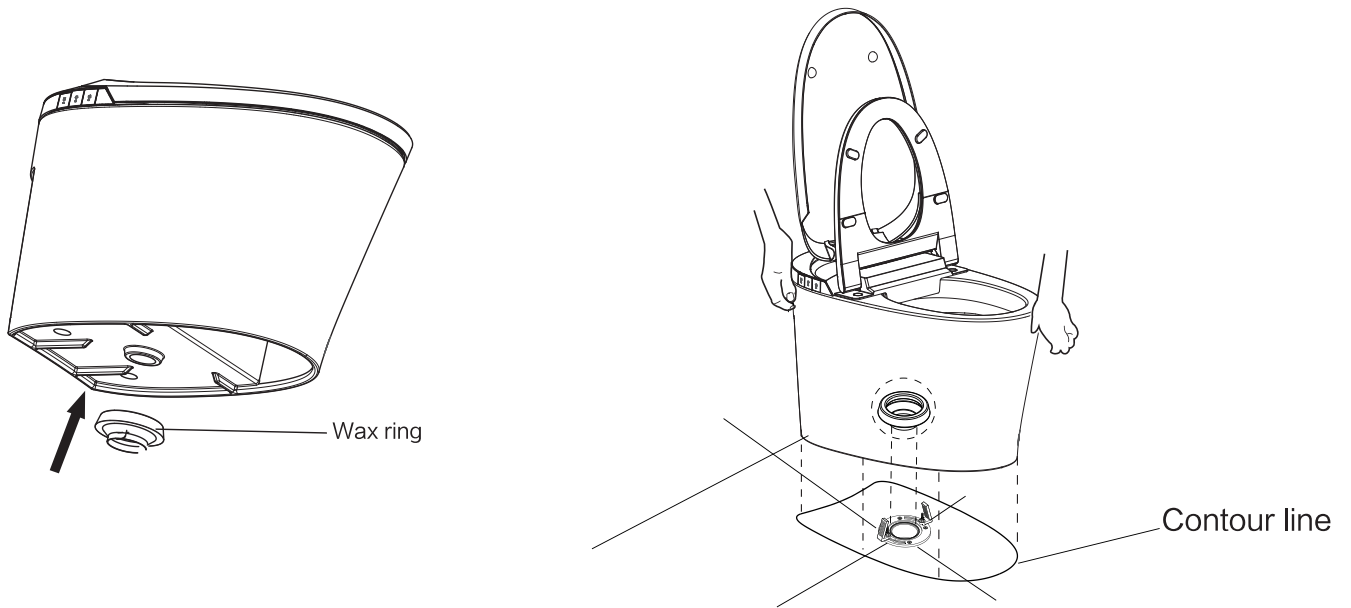


---

# 5

Insert the wax ring under the toilet.

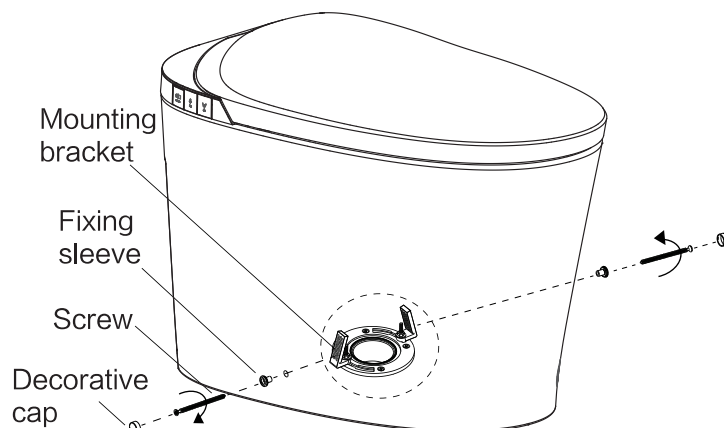
Install waxing ring into drain outlet; Install ceramic toilet on corresponding position according to contour line.



---

# 6

Put the screw through the fixing sleeve and then install it through the holes(on both sides of the toilet ceramic) to the mounting bracket on the ground, and lock tight with a tool, put the decorative cap on the fixing sleeve.

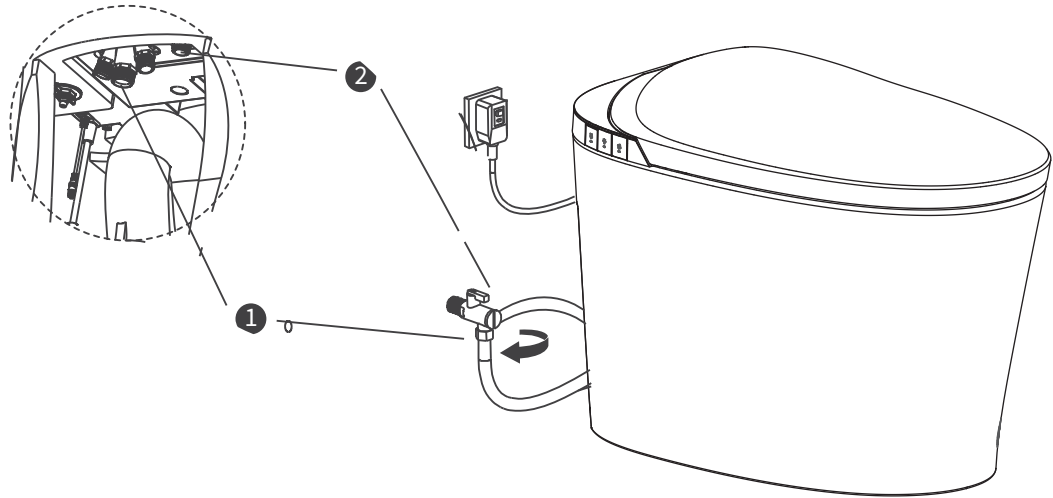


---

# 7

As shown in the figure below, connect and tighten the inlet hose, angle valve.

Connect the water inlet hole with angle valve through the hose.



---

# 8

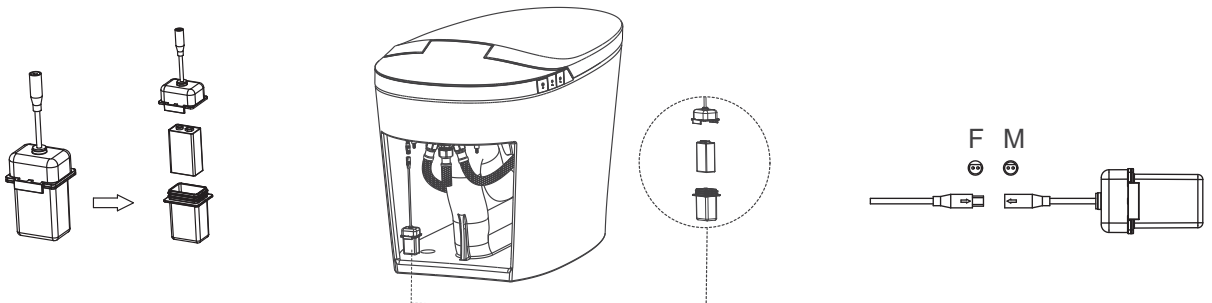
Put battery (9V, not included) in the battery box and Connect the cable.

Battery replacement:

Remove the battery box from the back of the toilet and pull out the battery box connector.

Open the battery box, remove the old battery and replace it with a new one.

Plug in the battery box connector and the toilet cable and put them back on the back of the toilet.

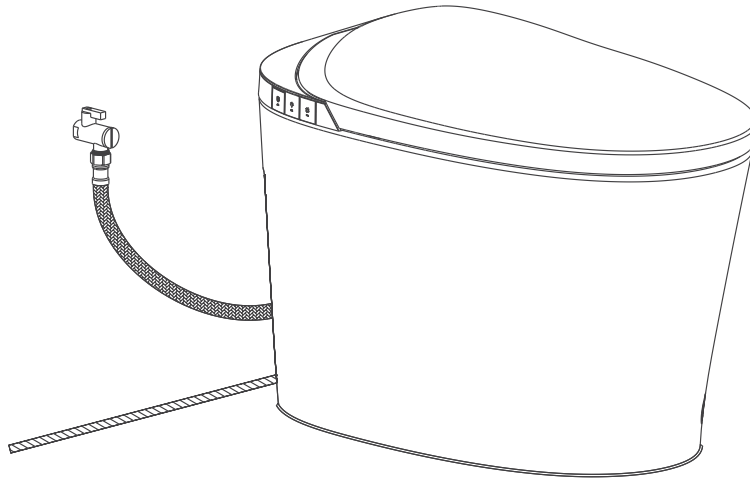


---

# 9

Check the tightness of the threaded connection to make sure there is no water leakage.

Turn the angle valve counterclockwise and adjust the opening to the maximum.



---

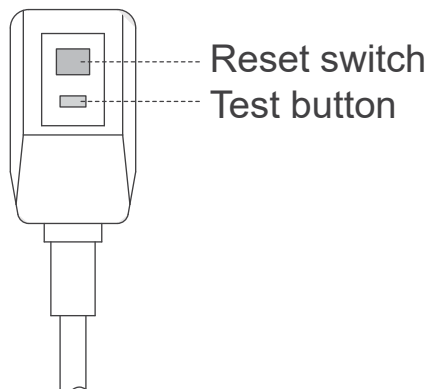
# 10

Plug the leakage protection plug into the power socket, press the reset switch, and the plug indicator light will be on, indicating that it is powered on.

\*Press the leakage test key before use, the reset switch pops up, indicating leakage protection. The protection function is normal.

\*Press the TEST button (then RESET button) every month to assure proper operation.

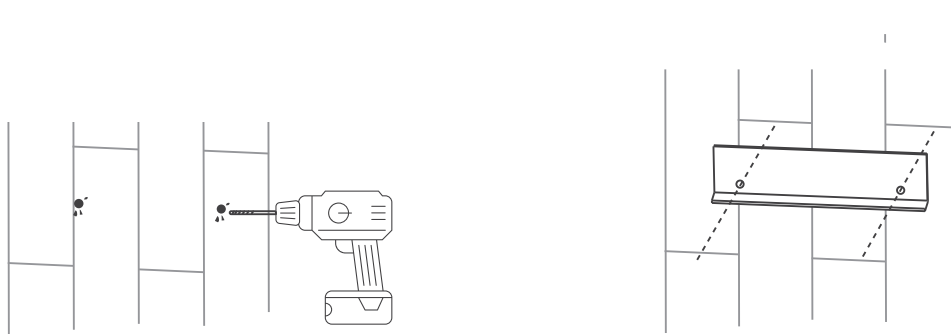
\*It is applicable to the model with leakage protection plug.



# 11

1-1. Stick the remote control rack horizontally to the pre-installation area on the wall, and mark the position of two installation holes on the wall with a marker. Use a drill bit with a diameter of 6mm to drill holes at the marked positions on the wall, with a depth of 1.4in.

Install the expansion pipe into the wall hole, attach the hanger to the wall, align the hole on the hanger with the expansion pipe, and place the screw to lock it.



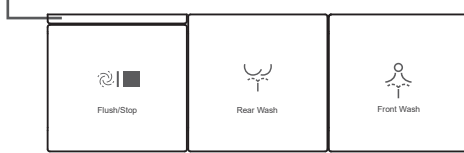
1-2. Clean and dry the pre-installed area of the remote control rack on the wall.

Tear off the double-sided adhesive sticker on the back of the hanger and stick it horizontally to the wall.



# Toilet Features

## Indicator light :



Non-functional Status: Press this button to activate the flushing function.

During Operation: While the machine is running functions, press this button to halt the ongoing procedure.  
Note: Under non-seated situation, long press this button to enter standby mode, in which mode the night light automatically off. Press any button to quite standby mode.



Press this button to start the rear wash function. Press this button again to perform oscillating massage. If you press the Stop key halfway, you can stop it immediately.

Note: Under the oscillating massage procedure, the nozzle will extend and retract repeatedly to achieve the massage effect.



Press this button to start the front wash function. Press this button again to perform oscillating massage. If you press the Stop key halfway, you can stop it immediately.

Note: Under the oscillating massage procedure, the nozzle will extend and retract repeatedly to achieve the massage effect.

---

## Other function / Autre fonction / Otras funciones:



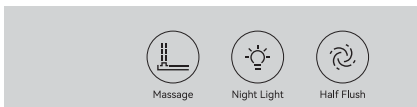
1. Automatic pre-wetting inner bowl after human on seat  $\geq 2$  seconds.

2. When  $10 \text{ seconds} \leq \text{seating time} \leq 30 \text{ seconds}$ , system perform half flushing after human leave the seat;

3. Seating time  $> 30$  seconds, system perform full flushing after human leave the seat.

---

## Top view of remote control



### Pulse message

When performing rear washing and front washing functions, press the massage button on the remote control to enter the pulse massage mode.



### Night light

Press this button to switch the night light to two modes: on, off mode.

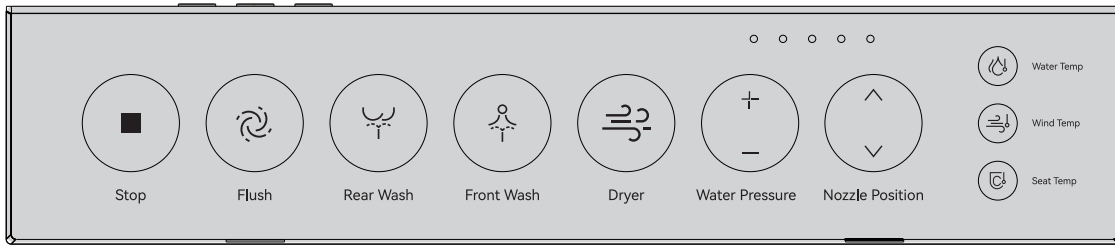
Note: Long press this button for 5 seconds to turn on/off the indicator light on the machine.



### Half Flush

Press this button to perform the half flush function.

# Remote Control Instructions



## Stop

Short press stop button to cease on-going functions halfway. Long press stop button to enter or exit ECO mode. Under this mode, the seat temperature will be lowered to 1st gear automatically. Once human is seated, it will exit ECO Mode. When human is off-seat, the ECO mode will resume.



## Full flushing

Short press the flush button to perform the flushing function.



## Rear wash/Oscillating massage

Press this button to start the rear wash function. Press this button again to perform oscillating massage. If you press the Stop key halfway, you can stop it immediately. Note: Under the oscillating massage procedure, the nozzle will extend and retract repeatedly to achieve the massage effect.



## Front wash/Oscillating massage

Press this button to start the front wash function. Press this button again to perform oscillating massage. If you press the Stop key halfway, you can stop it immediately. Note: Under the oscillating massage procedure, the nozzle will extend and retract repeatedly to achieve the massage effect.



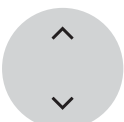
## Dryer

Press this button to perform warm air drying. The air temperature can be adjusted. If it is pressed to "stop" button on the way, the air drying can be stopped immediately. Note Before drying it will automatically perform flushing function.



## Water pressure adjustment

When cleaning, press this button to adjust water pressure in 5 different gears. Press + key once to raise one level, press - key once to decrease one level. The indicator light will display accordingly.



## Nozzle position adjustment

The nozzle position can be adjusted with 5 gears. Press the nozzle adjustment key to extend the nozzle forward, press the nozzle adjustment key to retract nozzle backwards.



### Water temperature adjustment

When cleaning, the water temperature is adjustable with 6 gears. When in off gear, the water flows in ambient temperature and the indicator light is off.



### Air temperature adjustment

When drying, the air temperature is adjustable with 6 gears. When in off gear, it blows in ambient temperature and the indicator light is off.



### Seat temperature adjustment

The seat temperature is adjustable with 6 gears. Please do not cover the seat sensor in case of sensing failure. The seat temperature will switch to 1st gear after long time sitting in case of low-temperature burns.

---

## Control function setting

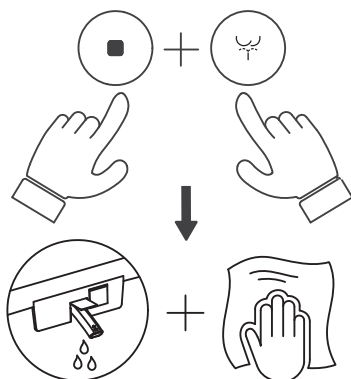
### 1.Nozzle manual cleaning function

Press the "Stop" button and "Rear wash" button on the remote control for 3 seconds at the same time to enter the manual cleaning procedure.

Manual cleaning procedure: the nozzle extend out with self-clean water flowing, after it extend to the longest position, water stop flowing. At this time, detach the nozzle from the cleaning module and using a soft cloth to wipe the nozzle.

When there are 3 seconds left for cleaning, the beep will make 3 sounds.

After procedure is finished, the nozzle retracts automatically.



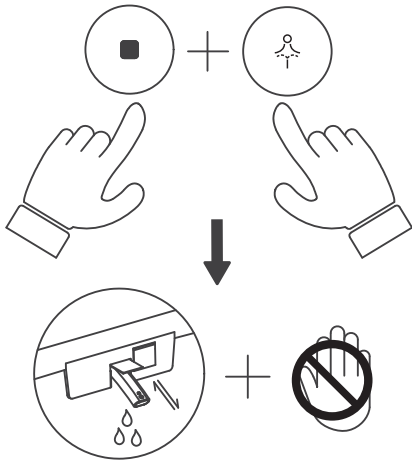
Press and hold the "Stop" and "Rear Wash" buttons on the remote control 3 seconds.

Enter the manual cleaning mode to clean the nozzles.

- During the manual cleaning process, press the "Stop" button on the remote control or knob to exit the manual cleaning mode and the nozzle will retract;
- After the manual cleaning is completed or stopped halfway, the nozzle retracts automatically.

## 2. Nozzle automatic cleaning function

- Press the "Stop" button and "Front Wash" button on the remote control for 3 seconds at the same time to enter the nozzle automatic cleaning mode.
- Automatic cleaning procedure: the nozzle will extend and retract automatically during cleaning process. Totally 2minutes. Press the stop button to cease the function halfway.



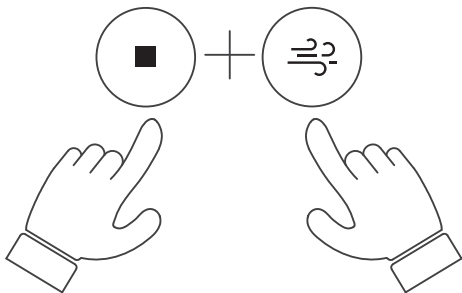
Press and hold the "Stop" and "Front Wash" buttons on the remote control 3 seconds.

Enter the automatic cleaning mode, prohibit manual cleaning, be careful not to pinch your hands.


- During the automatic cleaning process, once human seated, it will exit the automatic cleaning mode. The nozzle will stop flowing water and retract.

## 3. Mute function

- Press the "Stop" and "Drying" keys on the remote control for 3 seconds at the same time to enter the mute mode.  
Press the "Stop" and "Drying" keys on the remote control for 3 seconds again to exit the mute mode.
- The buzzer function is off in mute mode.



## 4. Remote control match code

Before powering on, long press the Front wash button "  " on the remote control. When the indicator lights flash, power on the machine to start remote control pairing. After hearing one beep sound, the pairing is successful. Press the Stop button on the remote control or waiting for 10S, the five indicator lights will be off and quite pairing mode.



## 5. Turn on/off pre-wetting inner ring

Long press Rear wash button "  " to turn on/off pre-wetting function.

## 6. Standby mode

Under non-seated situation, long press the Stop button "  " on the machine to enter standby mode, in which mode the night light automatically off. Press any button to quite standby mode.

## 7. Turn on/off automatic flush after user leaving seat

Long press the Flush button "  " and Rear wash button "  " on the remote control to turn on/off automatic flush function after human leaving the seat.

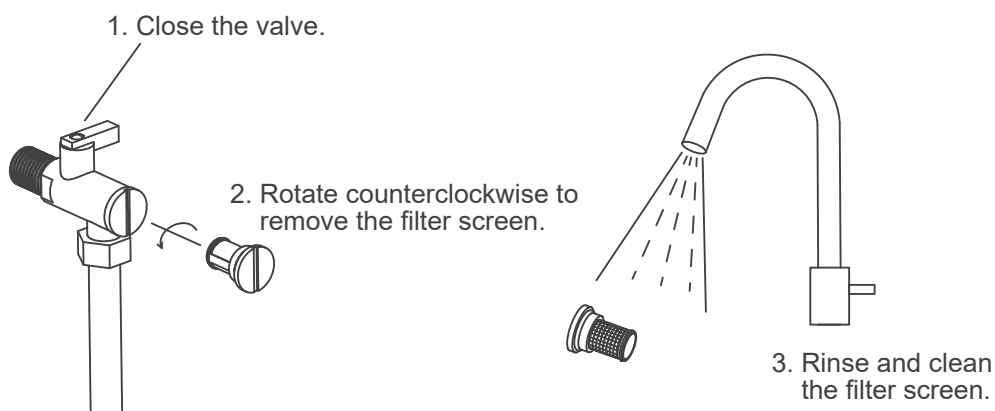
# Daily Maintenance



### Maintenance of body

1. Cut off the power supply  
Please cut off the power supply before maintenance.
2. Wipe with soft cloth  
Please wipe the dirty parts with a soft damp cloth and then let it dry.
3. Safety self-inspection  
Please reconnect the power supply after cleaning.

### Filter screen cleaning



## Drain the water in the pipeline when not in use for a long time

1. Pull out the power plug to cut off the power.
2. Close the inlet angle valve, unscrew the hose from the angle valve, drain the water in the pipeline and reinstall it.

For safety, it is recommended to put antifreeze into the accumulated water in the toilet.



### TIPS

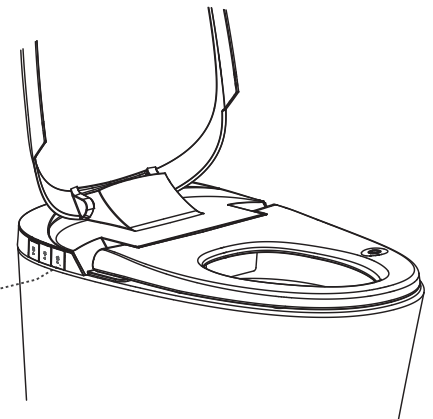
Before opening the angle valve, the power must be cut off! When using the toilet again, be sure to connect water supply first, then plug in.

## When water and electricity are cut off

1. Flushing during power outage  
(under the condition that the spare battery box is connected and has filled battery )

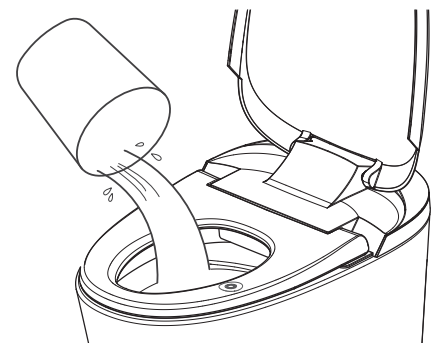
Long press  $\geq 2$ seconds the side button to flush.

Manual flush button



2. Flushing during water outage

Flush the toilet with external water (pour approx. 2 Gallons water into the bowl).  
Beware of overflow.



# Troubleshooting

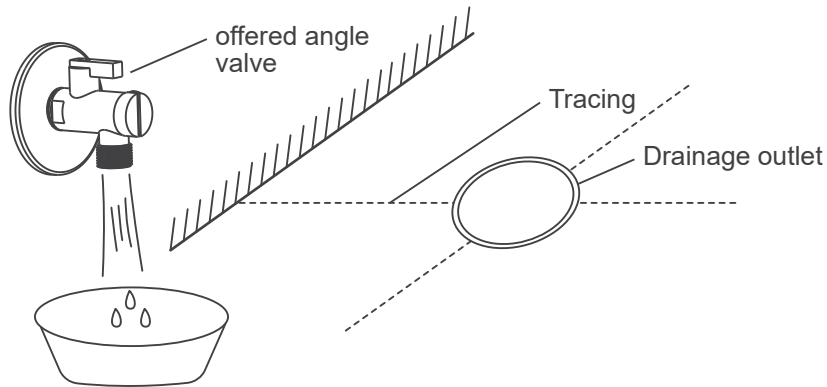
Product part or function	Phenomenon	Cause	Solutions
Complete machine	Not working	Whether the power supply is off	Power on
		Whether the leakage protector is off	Press the leakage switch again
		Power failure or not	Wait for power supply
Rear wash / Front wash	Not working	Whether the water supply switch is on	Turn on the water supply switch
		Whether the water supply is cut off	Wait for water supply to recover
		Whether the nozzle is blocked by foreign matters	Remove foreign matters and manually clean the nozzle
		No skin contact with seat sensor	Re-adjust sitting position to ensure skin contact with sensor
	Low water pressure	Is the water pressure gear set to low gear	Reset the water pressure gear
		Whether the water supply channel is normal	Clean the filter screen at the water supply outlet and supply water again
	Water temperature is low	Whether the water temperature is set to low gear	Reset the water temperature gear
	Stop water halfway	Whether the automatic stop time is exceeded	Re-execute the function
No skin contact with seat sensor		Re-adjust sitting position to ensure skin contact with sensor	
Warm air drying	Low heating temperature	Whether the wind temperature gear is set to low gear	Reset the water temperature gear
	Half-way stop	Whether the automatic stop time is exceeded	Re-execute the function
		No skin contact with seat sensor	Re-adjust sitting position to ensure skin contact with sensor
Seat ring heating	Insufficient seat ring temperature	Is the seat temperature gear set to low gear	Reset the seat temperature gear
Deodorization	Not working	No skin contact with seat sensor	Re-adjust sitting position to ensure skin contact with sensor
Remote control	No reaction	Objects cover the sensing window	Remove the objects
		Incorrect use angle and sensing distance	Adjust angle and distance
		Batteries run out	Replace with new batteries

# INSTALLATION

## 1

Marquez la ligne centrale de la sortie de drainage sur le sol, et installez la vanne d'angle d'entrée d'eau à un endroit approprié sur le mur en fonction de la taille des toilettes.

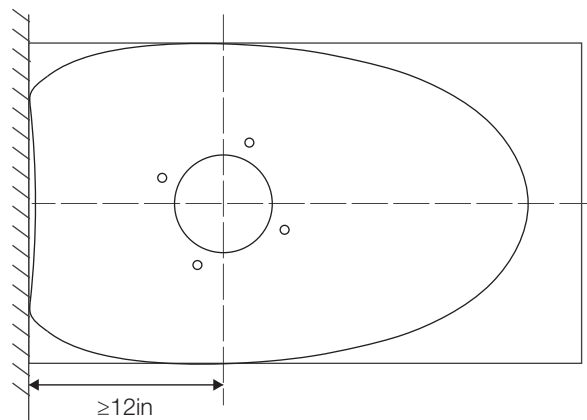
Après avoir installé la vanne d'angle, ouvrez-la pour évacuer les eaux usées.



## 2

Alignez le carton avec la ligne médiane du drain.

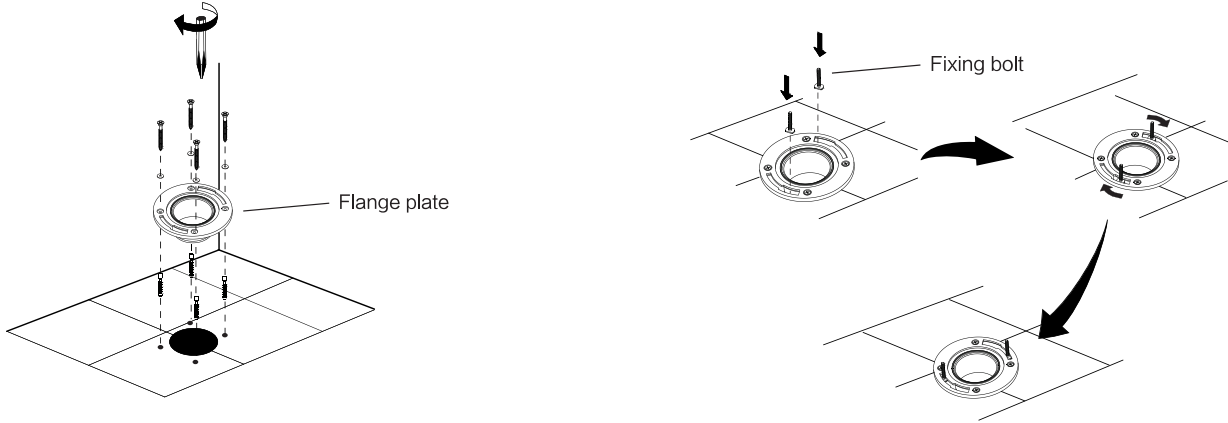
Dessinez les lignes de contour à partir du carton.



# 2

Installez la plaque de bride.

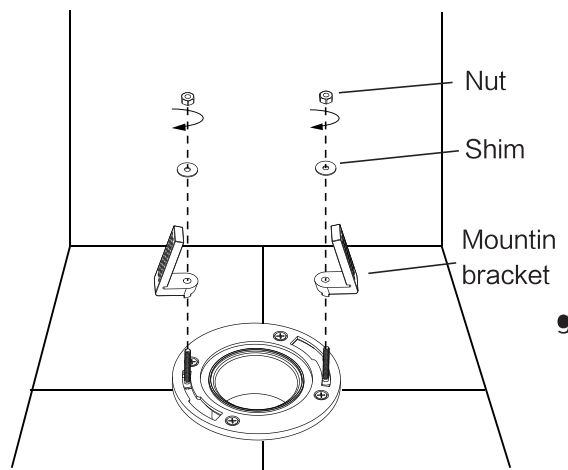
Positionnez correctement les deux boulons de fixation de la bride.



# 2

Installez la plaque de bride.

Positionnez correctement les deux boulons de fixation de la bride.

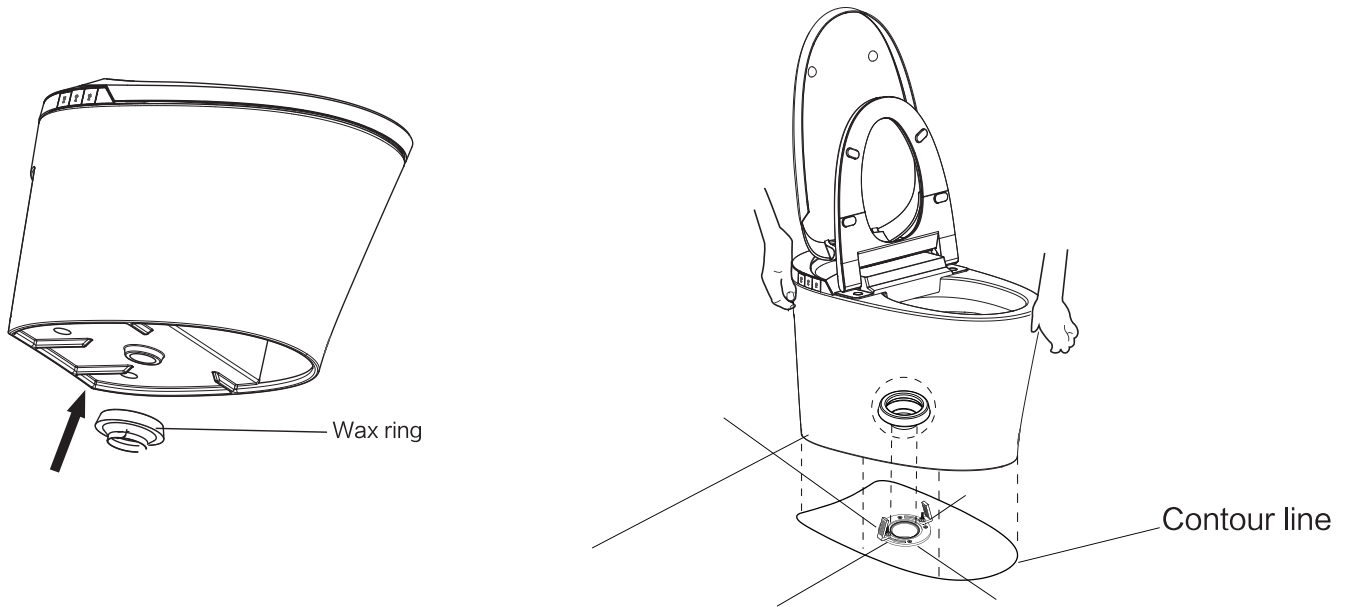


---

# 4

Insérez l'anneau de cire sous les toilettes.

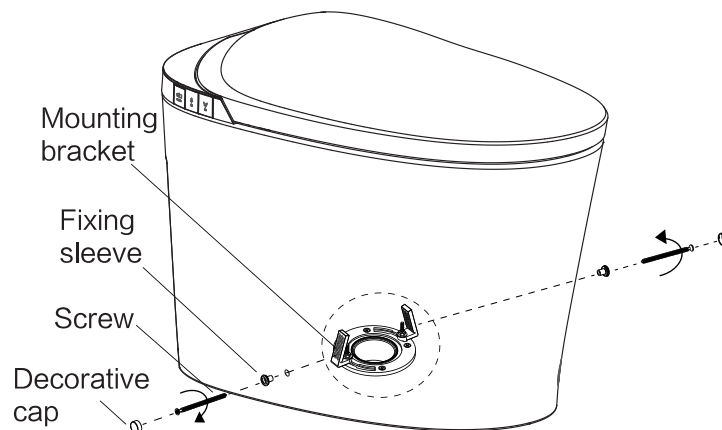
Installez l'anneau de cire dans la sortie du drain ; installez la toilette en céramique sur la position correspondante selon la ligne de contour.



---

# 4

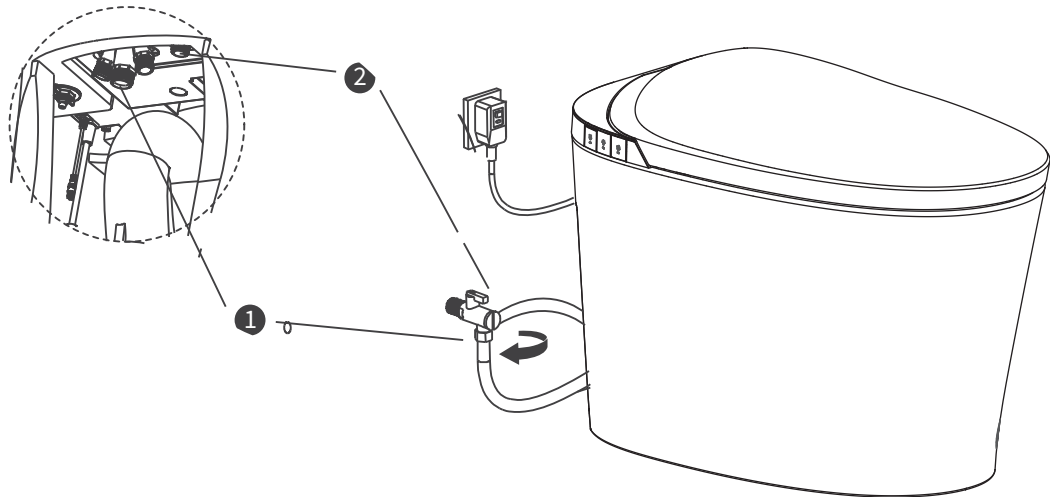
Passez la vis à travers la douille de fixation, puis installez-la à travers les trous (de chaque côté de la céramique des toilettes) sur le support de montage au sol, et serrez fermement avec un outil. Placez le capuchon décoratif sur la douille de fixation.



# 6

Comme indiqué dans la figure ci-dessous, connectez et serrez le tuyau d'entrée, la vanne d'angle.

Connectez le trou d'entrée d'eau à la vanne d'angle à travers le tuyau.



# 4

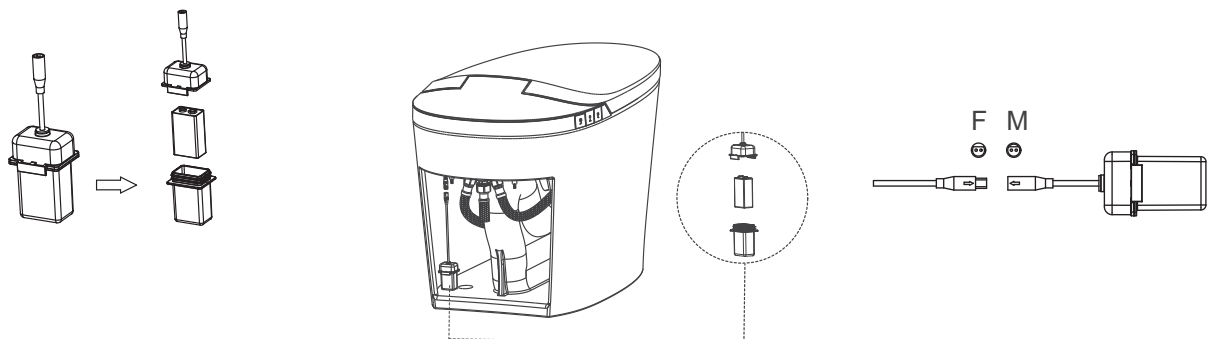
Placez la pile (9V, non incluse) dans la boîte à piles et connectez le câble.

Remplacement de la pile :

Retirez la boîte à piles à l'arrière des toilettes et débranchez le connecteur de la boîte à piles.

Ouvrez la boîte à piles, retirez l'ancienne pile et remplacez-la par une nouvelle.

Rebranchez le connecteur de la boîte à piles et le câble des toilettes, puis replacez-les à l'arrière des toilettes.

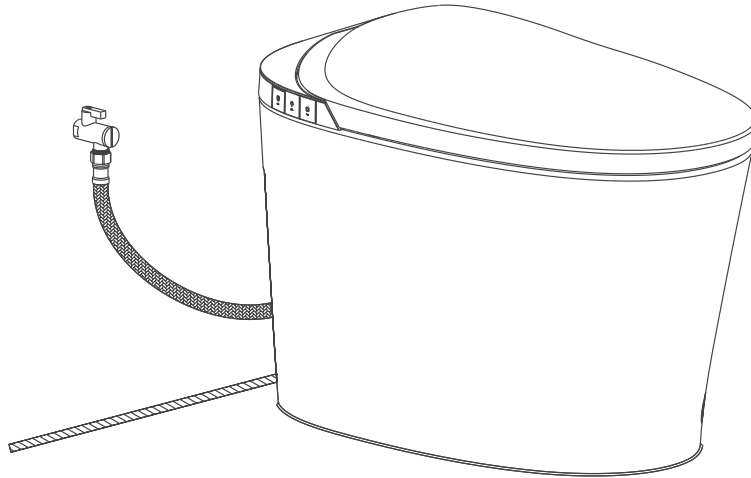


---

# 7

Vérifiez le serrage de la connexion fileté pour vous assurer qu'il n'y a pas de fuite d'eau.

Tournez la vanne d'angle dans le sens antihoraire et réglez l'ouverture au maximum.



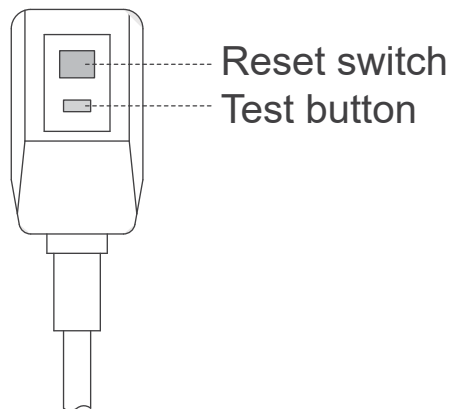
---

# 4

Branchez la fiche de protection contre les fuites dans la prise de courant, appuyez sur le bouton de réinitialisation, et le témoin lumineux de la fiche s'allumera, indiquant qu'elle est sous tension.

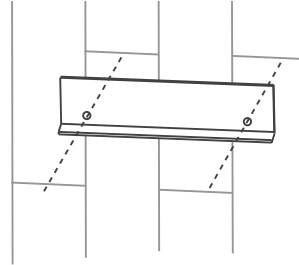
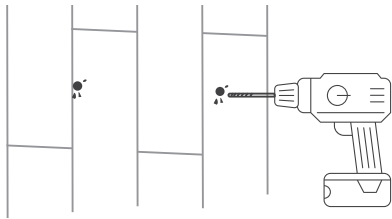
Appuyez sur la touche de test de fuite avant utilisation, le commutateur de réinitialisation saute, indiquant la protection contre les fuites. La fonction de protection est normale.

Appuyez sur le bouton TEST (puis sur le bouton RESET) chaque mois pour assurer un fonctionnement correct. Il est applicable au modèle avec prise de protection contre les fuites.



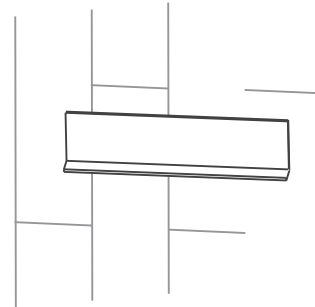
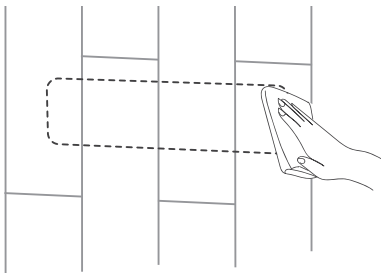
1-1. Collez le support de télécommande horizontalement dans la zone de pré-installation sur le mur, et marquez la position des deux trous de montage sur le mur avec un marqueur. Utilisez une mèche de perceuse de 6 mm de diamètre pour percer des trous aux positions marquées sur le mur, avec une profondeur de 3,5 cm (1,4 pouce).

Installez la cheville d'expansion dans le trou du mur, fixez le support au mur, alignez le trou sur le support avec la cheville d'expansion, puis placez la vis pour le verrouiller.



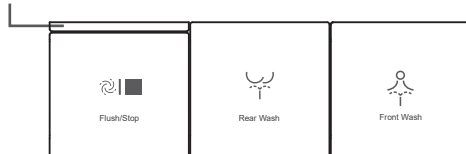
1-2. Nettoyez et séchez la zone préinstallée du support de télécommande sur le mur.

Découpez l'autocollant adhésif double face à l'arrière du support et collez-le horizontalement sur le mur.




# Caractéristiques des toilettes

## Voyant lumineux:




État non fonctionnel : Appuyez sur ce bouton pour activer la fonction de rinçage.


Pendant le fonctionnement : Lorsque la machine exécute des fonctions, appuyez sur ce bouton pour arrêter la procédure en cours.

 Remarque : En situation non assise, appuyez longuement sur ce bouton pour entrer en mode veille, dans lequel la lumière de nuit s'éteint automatiquement.

Appuyez sur n'importe quel bouton pour quitter le mode veille.


 Appuyez sur ce bouton pour démarrer la fonction de lavage arrière. Appuyez à nouveau sur ce bouton pour effectuer un massage oscillant. Si vous appuyez sur la touche Arrêt à mi-chemin, vous pouvez l'arrêter immédiatement.

Remarque : Pendant la procédure de massage oscillant, la buse va s'étendre et se rétracter à plusieurs reprises pour obtenir l'effet de massage.

 Appuyez sur ce bouton pour démarrer la fonction de lavage avant. Appuyez à nouveau sur ce bouton pour effectuer un massage oscillant. Si vous appuyez sur la touche Arrêt à mi-chemin, vous pouvez l'arrêter immédiatement.

Remarque : Pendant la procédure de massage oscillant, la buse va s'étendre et se rétracter à plusieurs reprises pour obtenir l'effet de massage.

## Autre fonction:

-  1. Prémouillage automatique du bol intérieur après qu'une personne soit assise pendant  $\geq 2$  secondes.  
2. Lorsque le temps d'assise est compris entre 10 et 30 secondes, le système effectue un demi-rinçage après que la personne ait quitté le siège.  
3. Lorsque le temps d'assise dépasse 30 secondes, le système effectue un rinçage complet après que la personne ait quitté le siège.



### Massage par pulsations

Lors de l'exécution des fonctions de lavage arrière et avant, appuyez sur le bouton de massage de la télécommande pour entrer en mode massage par pulsations.

### Veilleuse

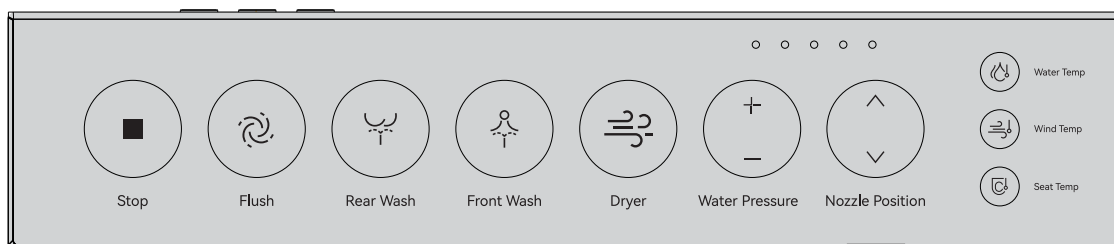
Appuyez sur ce bouton pour basculer la veilleuse entre deux modes : allumé et éteint.

Remarque : Appuyez longuement sur ce bouton pendant 5 secondes pour allumer/éteindre le voyant de la machine.

### Demi-rinçage

Appuyez sur ce bouton pour effectuer la fonction de demi-rinçage.

# Instructions de la télécommande



## Arrêt



Appuyez brièvement sur le bouton d'arrêt pour interrompre les fonctions en cours à mi-chemin. Appuyez longuement sur le bouton d'arrêt pour entrer ou sortir du mode ECO. Sous ce mode, la température du siège sera automatiquement réduite à la première vitesse. Une fois que quelqu'un s'assoit, le mode ECO sera désactivé. Lorsque personne n'est assis, le mode ECO reprendra.



## Rinçage complet

Appuyez brièvement sur le bouton de rinçage pour effectuer la fonction de rinçage.



## Lavage arrière/Massage oscillant

Appuyez sur ce bouton pour démarrer la fonction de lavage arrière. Appuyez à nouveau sur ce bouton pour effectuer un massage oscillant. Si vous appuyez sur la touche Arrêt à mi-chemin, vous pouvez l'arrêter immédiatement.

Remarque : Pendant la procédure de massage oscillant, la buse s'étendra et se rétractera à plusieurs reprises pour obtenir l'effet de massage.



## Lavage avant / Massage oscillant

Appuyez sur ce bouton pour démarrer la fonction de lavage avant. Appuyez à nouveau sur ce bouton pour effectuer un massage oscillant. Si vous appuyez sur la touche Arrêt à mi-chemin, vous pouvez l'arrêter immédiatement.

Remarque : Pendant la procédure de massage oscillant, la buse s'étendra et se rétractera à plusieurs reprises pour obtenir l'effet de massage.



## Séchoir

Appuyez sur ce bouton pour effectuer le séchage à l'air chaud. La température de l'air peut être ajustée. Si vous appuyez sur le bouton "stop" en cours de route, le séchage à l'air peut être arrêté immédiatement.

Remarque : Avant le séchage, la fonction de rinçage sera effectuée automatiquement.



## Réglage de la pression de l'eau

Lors du nettoyage, appuyez sur ce bouton pour ajuster la pression de l'eau sur 5 niveaux différents. Appuyez une fois sur la touche + pour augmenter d'un niveau, une fois sur la touche - pour diminuer d'un niveau. Le témoin lumineux affichera les réglages correspondants.



## Réglage de la position de la buse

La position de la buse peut être ajustée sur 5 niveaux. Appuyez sur la touche de réglage de la buse pour faire avancer la buse, appuyez à nouveau pour faire reculer la buse.



### Réglage de la température de l'eau

Lors du nettoyage, la température de l'eau est réglable sur 6 niveaux. En position "off", l'eau coule à température ambiante et le témoin lumineux est éteint.



### Réglage de la température de l'air

Lors du séchage, la température de l'air est réglable sur 6 niveaux. En position "off", l'air souffle à température ambiante et le témoin lumineux est éteint.



### Réglage de la température du siège

La température du siège est réglable sur 6 niveaux. Veuillez ne pas couvrir le capteur de siège en cas de défaillance de détection. La température du siège passera en 1ère vitesse après un long moment assis pour éviter les brûlures dues à une température trop basse.

---

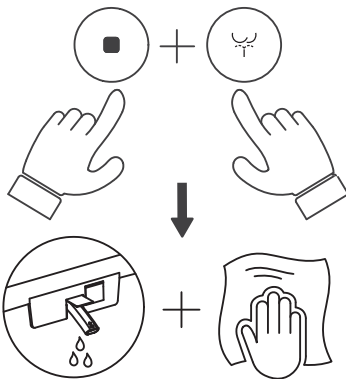
## Réglage des fonctions de contrôle

### 1. Fonction de nettoyage manuel de la buse

Appuyez simultanément sur les boutons "Stop" et "Lavage arrière" de la télécommande pendant 3 secondes pour entrer dans la procédure de nettoyage manuel.

Procédure de nettoyage manuel : la buse s'étend avec de l'eau de nettoyage automatique qui s'écoule, une fois étendue à la position la plus longue, l'eau cesse de s'écouler. À ce moment-là, détachez la buse du module de nettoyage et utilisez un chiffon doux pour essuyer la buse.

Lorsqu'il reste 3 secondes pour le nettoyage, un bip retentira trois fois. Après la fin de la procédure, la buse se rétracte automatiquement.



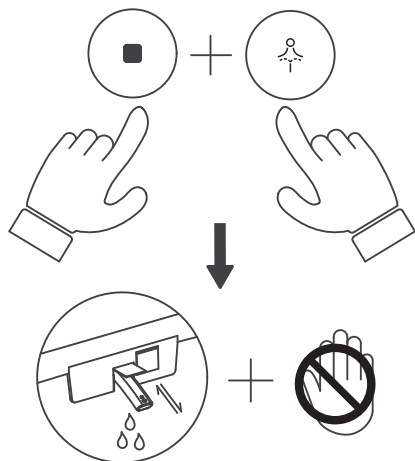
Appuyez simultanément sur les boutons "Stop" et "Lavage arrière" de la télécommande pendant 3 secondes.

Entrez en mode de nettoyage manuel pour nettoyer les buses.

- Pendant le processus de nettoyage manuel, appuyez sur le bouton "Stop" de la télécommande ou du bouton pour quitter le mode de nettoyage manuel et la buse se rétractera.
- Après que le nettoyage manuel soit terminé ou arrêté à mi-chemin, la buse se rétracte automatiquement.

## 2. Fonction de nettoyage automatique de la buse

- Appuyez simultanément sur les boutons "Stop" et "Lavage avant" de la télécommande pendant 3 secondes pour entrer en mode de nettoyage automatique de la buse.
- Procédure de nettoyage automatique : la buse s'étendra et se rétractera automatiquement pendant le processus de nettoyage. Durée totale de 2 minutes. Appuyez sur le bouton "Stop" pour arrêter la fonction à mi-chemin.



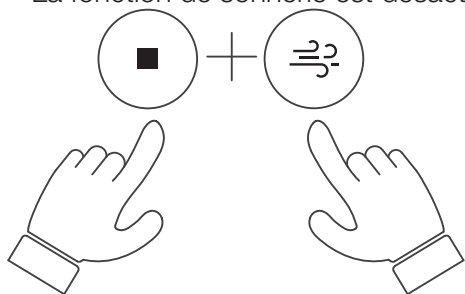
Appuyez et maintenez les boutons "Stop" et "Lavage avant" de la télécommande pendant 3 secondes.

Entrez en mode de nettoyage automatique, interdiction de nettoyage manuel, faites attention à ne pas pincer vos mains.


- Pendant le processus de nettoyage automatique, une fois qu'une personne s'assoit, elle sortira du mode de nettoyage automatique. La buse cessera de déverser de l'eau et se rétractera.

## 3. Fonction de sourdine

- Appuyez simultanément sur les touches "Arrêt" et "Séchage" de la télécommande pendant 3 secondes pour entrer en mode silence.
- Appuyez à nouveau simultanément sur les touches "Arrêt" et "Séchage" de la télécommande pendant 3 secondes pour quitter le mode silence.
- La fonction de sonnerie est désactivée en mode silence.




## 4. Code d'appariement de la télécommande

Avant de mettre sous tension, maintenez enfoncé le bouton de lavage avant "  " sur la télécommande. Lorsque les voyants clignotent, mettez sous tension la machine pour commencer le jumelage de la télécommande. Après avoir entendu un bip, le jumelage est réussi. Appuyez sur le bouton Arrêt sur la télécommande ou attendez 10 secondes ; les cinq voyants s'éteindront pour quitter le mode d'appariement.



## 5. Activer/désactiver l'humidification préalable de l'anneau intérieur

Appuyez longuement sur le bouton de lavage arrière "  " pour activer/désactiver la fonction de pré-humidification.

## 6. Mode veille

En situation où personne n'est assis, appuyez longuement sur le bouton "  " sur la machine pour entrer en mode veille, dans lequel le voyant nocturne s'éteint automatiquement. Appuyez sur n'importe quel bouton pour quitter le mode veille.

## 7. Activer/désactiver la chasse automatique après le départ de l'utilisateur du siège

Appuyez longuement sur le bouton de chasse "  " et sur le bouton de lavage arrière "  " sur la télécommande pour activer/désactiver la fonction de chasse automatique après le départ de l'utilisateur du siège.

---

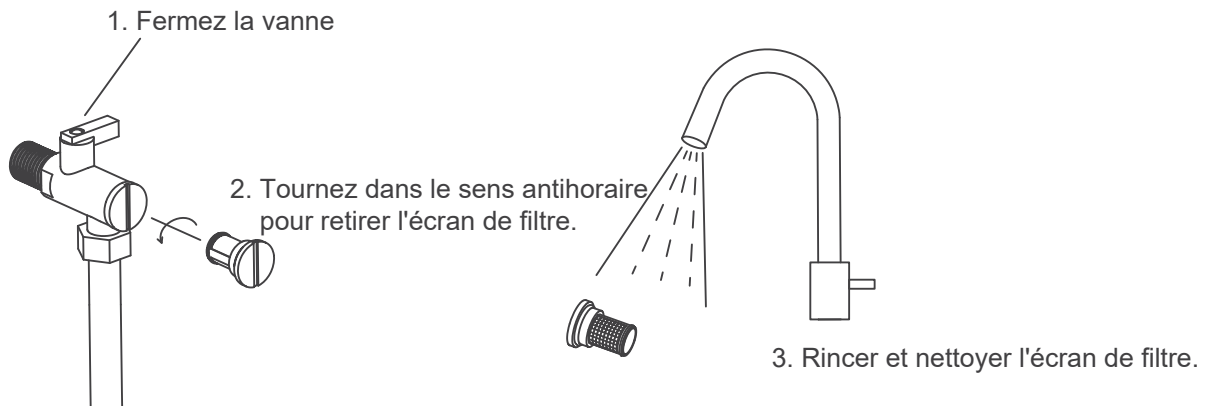
## Daily Maintenance



### Maintenance du corps

1. Couper l'alimentation  
Veuillez couper l'alimentation avant l'entretien.
2. Essuyer avec un chiffon doux  
Veuillez essuyer les parties sales avec un chiffon doux humide, puis laissez sécher.
3. Auto-inspection de sécurité  
Veuillez reconnecter l'alimentation après le nettoyage.

### Nettoyage de l'écran de filtre



## Vidanger l'eau dans la canalisation lorsqu'elle n'est pas utilisée pendant une longue période.

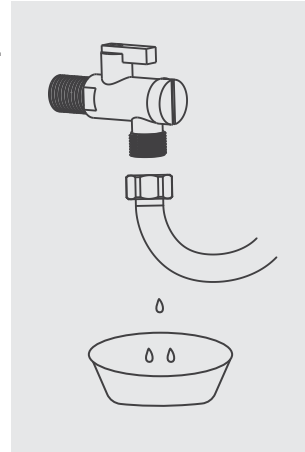
1. Débranchez la prise pour couper l'alimentation.
2. Fermez la vanne d'angle d'entrée, dévissez le tuyau de la vanne d'angle, vidangez l'eau dans la canalisation et réinstallez-le.

Pour des raisons de sécurité, il est recommandé de mettre de l'antigel dans l'eau accumulée dans les toilettes.



### TIPS

Avant d'ouvrir la vanne d'angle, coupez l'alimentation électrique !  
Lorsque vous utilisez à nouveau les toilettes, assurez-vous de d'abord connecter l'arrivée d'eau, puis de brancher.

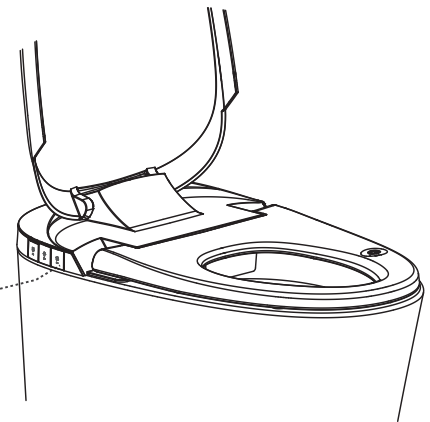


## Lorsque l'eau et l'électricité sont coupées

1. Chasse d'eau lors d'une panne de courant (à condition que la boîte de batterie de secours soit connectée et pleine de batterie)

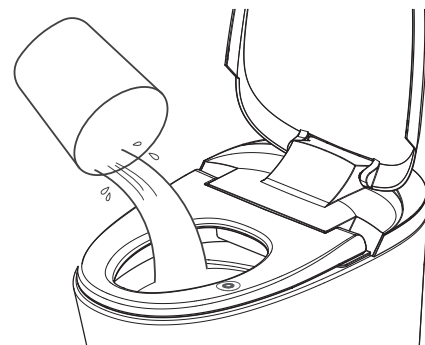
Appuyez longuement sur le bouton latéral pendant  $\geq 2$  secondes pour chasser l'eau.

Bouton de chasse manuelle



2. Chasse d'eau pendant une coupure d'eau

Tirez la chasse d'eau avec de l'eau externe (versez environ 2 gallons d'eau dans la cuvette).



## MAINTENANCE

### Caution

Powdered detergents and abrasive liquid cleaners may damage surfaces.

Do not allow the surface to come into contact with corrosive products such as acetone, nail polish remover, dry cleaning solution, lacquer, paint thinner, gasoline, or etc.

Any cleaning product should be tested on an inconspicuous surface before using to clean. Read the data sheet of the cleaning product to ensure it will not damage the surfaces.

Scratched surface & repairs: Call A&E's customer service.

## ENTRETIEN

### Attention

Les détergents en poudre ou liquides abrasifs peuvent endommager les surfaces.

Ne mettez jamais en contact la surface avec des produits corrosifs contenant de l'acétone (nettoyant de vernis à ongles), des solvants, des décapants, de l'essence, etc. Tout produit de nettoyage doit être testé sur une petite surface non-apparente, avant de procéder à un nettoyage complet. Lisez la fiche signalétique du produit de nettoyage et vous assurer qu'il convient aux surfaces à nettoyer.

Surface abîmées et réparations: Contacter le service à la clientèle A&E.

## MANTENIMIENTO

### Advertencia

Los detergentes en polvo y los limpiadores líquidos abrasivos pueden dañar las superficies.

No permitir que la superficie entre en contacto con productos corrosivos como acetona, quitaesmalte, solución para lavado en seco, laca, adelgazador de pintura, gasolina, etc.

Debe poner a prueba cualquier producto de limpieza sobre una superficie oculta antes de utilizarlo para limpiar.

Leer la hoja de información del producto limpiador para asegurarse de que no dañará las superficies.

Superficies raspadas y reparaciones: Llamar a servicio al cliente de A&E.



**7300 Sherbrooke ST W  
Montreal, Quebec  
Canada  
H4B 1R7**

Please contact us by email  
Veuillez nous contacter par email  
[service@aebath.com](mailto:service@aebath.com)  
Tel: (514) 482-5403  
1-888-AEBATH5  
(1-888-232-2845)  
(Toll Free/Sans frais)  
[www.aebath.com](http://www.aebath.com)

## WARRNATY

A&E Shower and Baths Inc. (hereafter "A&E") offers the following limited warranty on each of its products. This warranty extends only to the original owner/end-user for personal household use. A&E warrants their products to be free from defects in workmanship and materials under normal use and service for a period of one (1) year from the original date of purchase by the owner/end-user. Any product reported to an authorized dealer or to A&E as being defective within the warranty period will be repaired or replaced (with a product of equal value) at the discretion of A&E. This warranty is not transferable to a subsequent owner. Neither the distributor, authorized A&E dealer, nor any other person has been authorized to make any affirmation or representation of this warranty; any affirmation, representation or warranty other than those contained in this warranty shall not be enforceable against A&E or any other person. A&E reserves the right to modify this warranty at any time, it being understood that such modification will not alter the warranty conditions applicable at the time of the sale of the product in question. This warranty shall not apply following incorrect operating procedures, breakage or damages caused by fault, carelessness, abuse, misuse, misapplication, improper maintenance, alteration or modification of the unit, as well as chemical or natural corrosion, accident, fire, flood, act of God, or any other casualty. This warranty shall not apply to stain or malfunction caused by ferrous water, hard water, or salty water. A&E is not responsible for transportation costs of the defective product from the installation site to A&E, or for the return of any part, or for the cost of labour or services incurred in the removal or reinstallation of any part. A&E expressly disclaims and excludes any liability for the consequential or incidental damage caused or resulting from incidental event, loss of time, loss of use, inconvenience, unnecessary expenses, labour, material of other costs with respect to the application of this warranty or with respect to the removal or replacement of a defective product. Under no circumstances shall A&E or any of its representatives be held liable for injury to any person or damage to any property however arising.

## GARANTIE

A&E Shower & Bath inc. ("A&E") offre la garantie limitée suivante sur ses produits. Cette garantie s'applique uniquement au propriétaire original pour une utilisation domestique. A&E garantit ses produits contre tout défaut de matériau ou de fabrication pour des conditions normales d'utilisation et d'entretien pour une période d'une (1) année à compter de la date d'achat originale du produit par le propriétaire. A&E procédera à la réparation ou au remplacement (avec un produit de même valeur), à sa discrétion, de tout produit dont le défaut sera rapporté au détaillant autorisé ou à A&E durant la période de garantie. Ni le distributeur, ni le concessionnaire autorisé A&E Shower & Bath inc., ni personne d'autre n'est autorisée à faire d'affirmations, de représentations ou de garantie autres que celles stipulées aux présentes; les affirmations, représentations et garanties contrevenant à cette interdiction ne sauraient s'appliquer à A&E ni à personne d'autre. A&E se réserve le droit de modifier cette garantie en tout temps; il est entendu que de telles modifications ne changeront pas les conditions de la garantie applicable au moment de la vente des produits en cause. La présente garantie ne s'applique pas dans le cas d'utilisations ou d'opérations non conformes ou bris ou dommages causés par la faute, la négligence, le mauvais emploi, usage, entretien ou altération ou la modification du produit, de même que par la corrosion chimique ou naturelle, le feu, l'inondation, les catastrophes naturelles ou tout autre cas fortuit. La présente garantie ne s'applique pas aux taches ou aux résultats provoqués par une eau ferreuse, une eau dure ou une eau salée. Les frais de transport des produits défectueux entre le lieu d'installation et A&E, les frais pour le retour de toutes pièces et les coûts encourus afin d'enlever ou réinstaller une pièce ou produit seront à la charge du client. A&E ne sera pas responsable ni redevable pour les dommages indirects, ni pour les dommages causés ou résultants de cas fortuits, perte de temps, perte d'usage, incon vénients, dépenses fortuites, frais de main-d'oeuvre, de matériaux ou tout les autres coûts relatifs à l'application de cette garantie et à l'enlèvement ou au remplacement de produits défectueux. A&E et ses employés ou représentants ne pourront en aucune circonstance être tenus responsables des dommages causés à une personne ou à des biens, quel que soit la source de ces dommages.

## GARANTÍA

A&E Shower and Baths inc. (de ahora en adelante, «A&E») ofrece la siguiente garantía limitada explícita para cada uno de sus productos. La garantía cubre únicamente al primer propietario/usuario final para su uso personal en el hogar. A&E garantiza que sus productos están libres de defectos de fabricación y material bajo uso y servicio normal por un periodo de un (1) año desde la fecha original de adquisición del propietario/usuario final. Cualquier producto notificado como defectuoso al distribuidor autorizado o a A&E dentro del periodo de garantía será reparado o reemplazado (por un producto del mismo valor) a elección de A&E. La garantía no es transferible a propietarios subsiguientes. Ni el distribuidor, ni el vendedor autorizado de A&E ni cualquier otra persona tienen autoridad para realizar ninguna declaración, representación o garantía; cualquier afirmación, representación o garantía distinta a las que aparecen en la presente garantía no será aplicable contra A&E ni contra ninguna otra persona. A&E se reserva el derecho a modificar esta garantía en cualquier momento, entendiéndose que la susodicha modificación no altere las condiciones de garantía aplicables en el momento de la venta de los productos en cuestión. Esta garantía no será aplicable en caso de procedimientos de operación incorrectos, roturas o daños causados por errores, negligencia, abuso, mal uso, mala aplicación, mantenimiento inadecuado, alteración o modificación de la unidad, así como de corrosión química o natural, accidente, incendio, inundación, causas de fuerza mayor o cualquier otro caso de siniestro. Esta garantía no se aplicará en casos de manchas o mal funcionamiento causado por agua ferrosa o salada. A&E no se hará responsable de los costes de transporte del producto defectuoso desde el lugar de instalación hasta la sede de A&E, ni de la devolución de ninguna pieza, ni tampoco del coste de la labor o de los servicios incurridos durante la retirada o reinstalación de la pieza. A&E se exime y se excluye explícitamente de cualquier responsabilidad por los daños derivados o accidentales causados, o resultantes, de acontecimientos fortuitos, pérdida de tiempo, pérdida de uso, molestias, gastos innecesarios, mano de obra, materiales de otros costes respecto a la aplicación de la presente garantía o relacionados con la retirada o sustitución de un producto defectuoso. En ningún caso se harán responsables A&E o cualquiera de sus representantes por daños personales o materiales, sin importar cómo se haya incurrido en estos.