

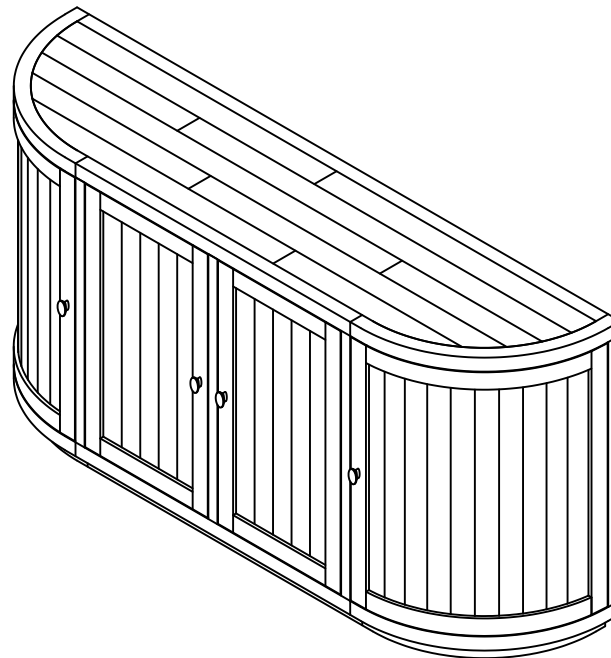
MOE'S

home collection

ASSEMBLY INSTRUCTIONS.

NICOLA SIDEBOARD BLACK

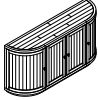
FR-1044-02








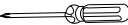
THANK YOU FOR YOUR PURCHASE!

PARTS AND HARDWARE.

PARTS LIST

NO.	DESCRIPTION	IMAGE	Q'TY
P1	CABINET		1

HARDWARE LIST

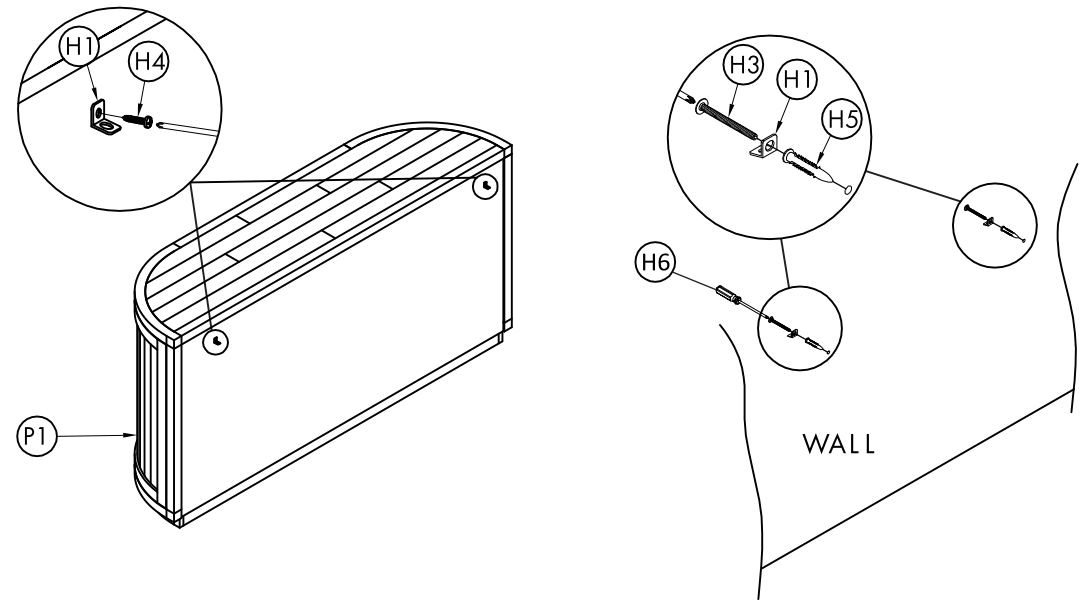
NO.	DESCRIPTION	IMAGE	Q'TY
H1	METAL BRACKET		4
H2	NYLON STRAP		2
H3	LONG SCREWS $\varnothing 4 \times 50$		2
H4	SHORT SCREWS $\varnothing 4 \times 20$		2
H5	WALL PLUG M4		2
H6	SCREW DRIVER		NOT PROVIDE

NOTES.

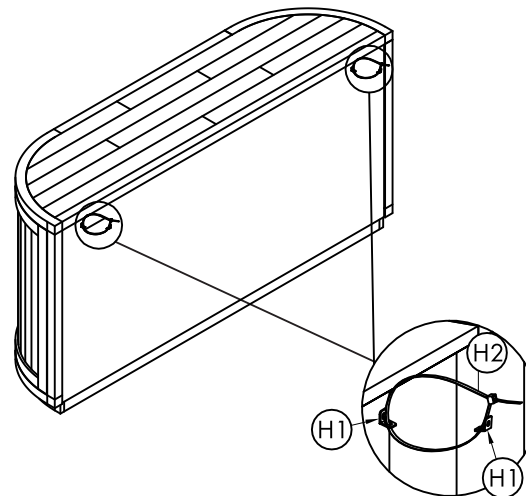
Thank you for purchasing this quality product! Be sure to check all packing material carefully for small part that may have come loose inside the carton during shipping.

CAUTION: The item is heavy, assembly should be performed by two people.

STEP 1.



STEP 2.



STEP 3.

